

Серия ZFZ-03-002

Компактный полимерный фильтр для линии всасывания

- Малый внутренний объем фильтра (1 см³) позволяет сократить время на создание требуемого разрежения.
- Повышенная устойчивость к спиртосодержащим веществам
- Поверхность корпуса фильтра не повреждается при контакте с такими жидкостями и их парами
- Потери давления снижены на 35 - 70%
- Удобен в эксплуатации.



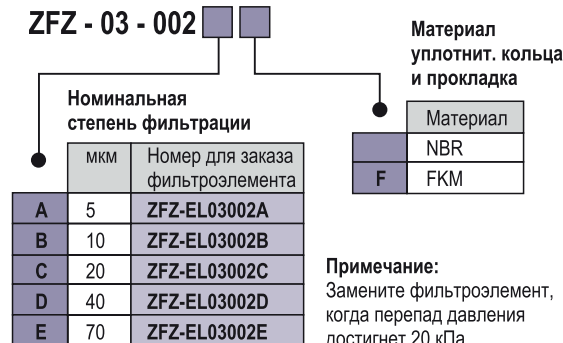
Технические характеристики

Среда	Сжатый воздух/вакуум
Диапазон рабочего давления (кПа)	-100 ~ 500
Темп-ра окр. и рабочей среды (°C)	0 ~ 60 (без замерзания)
Номинальная степень фильтрации*	A: 5 мкм / B: 10 мкм / C: 20 мкм / D: 40 мкм / E: 70 мкм
Макс. допустимый перепад давления на фильтроэлементе (МПа)	0.15


* Указанная степень фильтрации для элемента из спеченного металла, используемого в фильтре, относится к нормированным размерам частиц спеченного материала.

Номер для заказа

ZFZ - 03 - 002



Примечание:
Замените фильтроэлемент, когда перепад давления достигнет 20 кПа.

 Contact our sales office regarding a delivery date or a price since this is a special model.

Compact Resin Air Suction Filter

ZFZ-03-002□□

Objective: Compact filter for vacuum suction

Smaller filter volume (1 cm³) reduces time to reach vacuum pressure during workpiece suction.
 Mainly used for surface chip mounters.

Feature 1: Improved alcohol resistance

Compared with the exiting models (FGZG220A-B□ and others), resistance against ethanol alcohol, isopropanol alcohol, etc. has been improved. No cracks will be generated by wiping the bowl with ethanol or isopropanol alcohol, etc.

* Since resistance may be significantly affected by operating temperature, chemical concentration, etc., a prior confirmation in a condition close to the environment is necessary.

Feature 2: Dual use for positive and negative pressures

The existing models (FGZG220A-B□ and others) are specialised for negative pressures. Since this model ZFZ-03-002□□ has an operating pressure range of -100 kPa to 500 kPa, this can be used with positive pressures.

Feature 3: Reduced pressure loss

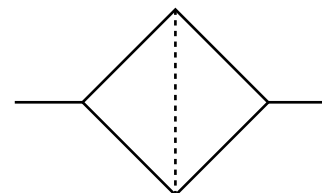
Compared with the exiting models (FGZG220A-B□ and others), pressure loss was reduced by 35 to 70% with an equivalent flow rate.

Feature 4: Improved user friendliness

The hexagonal cover and the hexagonal male screw holes allow easier attachment, detachment and element replacement.

Specifications

Fluid	Air
Operating pressure range	-100 to 500 kPa
Ambient and fluid temperature	0 to 60°C (No freezing)
Nominal filtration accuracy	A: 5 µm, B: 10 µm, C: 20 µm D: 40 µm, E: 70 µm
Element differential pressure resistance	0.15 MPa



JIS symbol

* The nominal filtration accuracy of the sintered metal element used in this product refers to the classified particle size of the material and differs from the filtration accuracy for flowing fluid.

How to Order

ZFZ – 03 – 002

Nominal filtration accuracy

Symbol	µm	Element part number
A	5	ZFZ-EL03002A
B	10	ZFZ-EL03002B
C	20	ZFZ-EL03002C
D	40	ZFZ-EL03002D
E	70	ZFZ-EL03002E

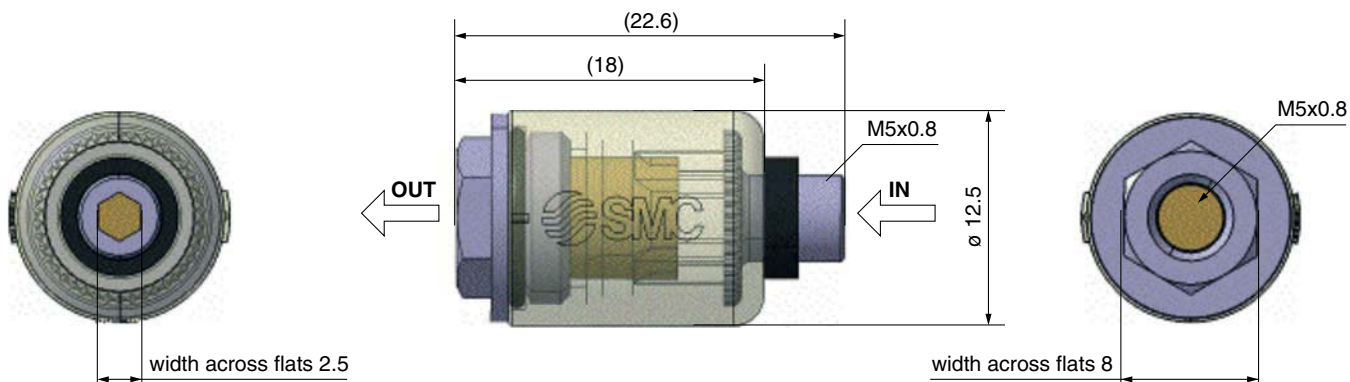
Material of O-ring and gasket

Symbol	Material
—	NBR
F	FKM

Note 1: Replace the element when pressure drop reaches 20 kPa.

Note 2: Check the O-ring for flaws or damage during disassembly or assembly.

Dimensions: mm



Note 1: Use is possible even with IN-OUT reversed-connection.

However the dirt condition of the element is not visible from the outside.

Note 2: Before replacing the element, stop operation. After the internal pressure in the filter has reached atmospheric pressure, replace the filter element.

⚠ Caution

To ensure the safest possible operation of this product, please be sure to read thoroughly the "Safety Instructions" in our "Best Pneumatics" catalogue before use.

© 2010 SMC Corporation All Rights Reserved

SMC Corporation

SMC CORPORATION
Akihabara UDX 15F, 4-14-1, Sotokanda, Chiyoda-ku, Tokyo 101-0021, JAPAN
Phone: 03-5207-8249 FAX: 03-5298-5362
SMC CORPORATION All Rights Reserved

European Marketing Centre (EMC)

Zuazobidea 14, 01015 Vitoria
Tel: +34 945-184 100 Fax: +34 945-184 124
URL <http://www.smc.eu>