

3-Port Solenoid Valve Modular Type/ Residual Pressure Release Valve

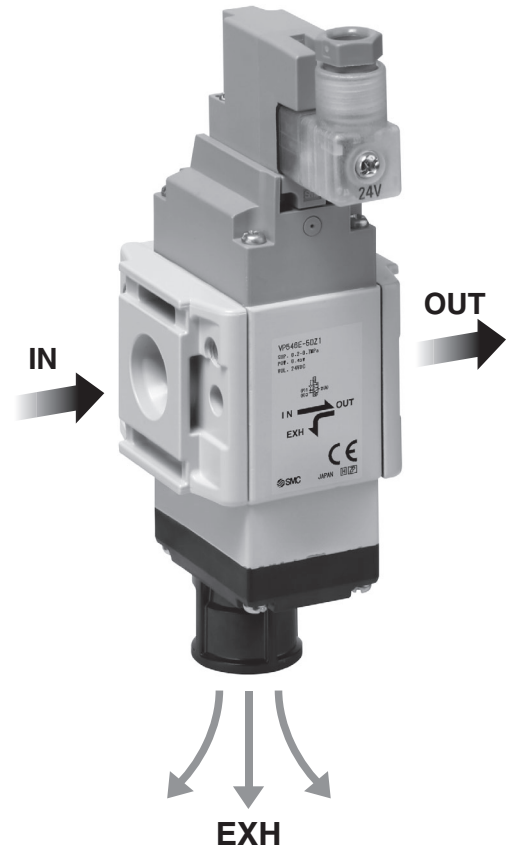
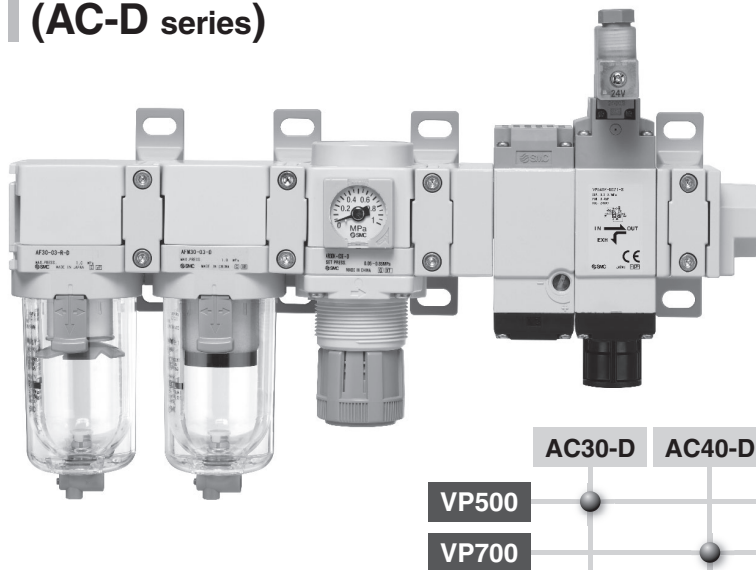


Flow rate characteristics Q [l/min (ANR)]

VP546E: 1729

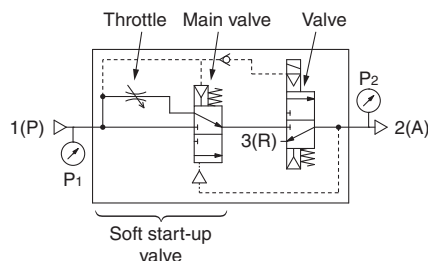
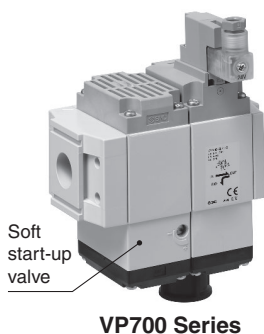
VP746E: 2985

Can be connected to F.R.L. units
(AC-D series)

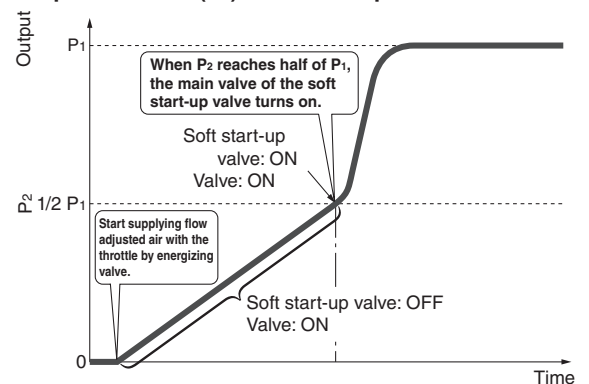


Allows for space saving and reduced piping labour.

A model with a soft start-up function is also available.



Output Pressure (P_2) vs Time Graph



Power consumption: **0.35 W** (Without light)

Features a check valve built into the pilot flow path
(Supports pilot pressure drops caused by pressure fluctuations on the inlet side)

VP546E/746E Series



21-EU767-UK

VP546E/746E Series

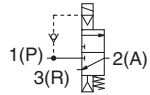


How to Order

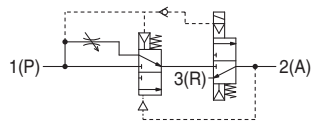
Modular Type VP 5 46 E - 5 DZ □ 1 - R - □

Symbol

Residual pressure relief
3-port solenoid valve



With soft start-up function



Series

5	VP500
7	VP700

Solenoid valve type

E	Residual pressure relief 3-port solenoid valve
---	---

Rated voltage

DC	5	24 VDC
----	---	--------

Soft start-up function

—	None
S	With soft start-up function

Flow direction

—	Left to right
R	Right to left

Manual override

—: Non-locking push type	A: Non-locking push type (Manual)	E: Push-turn locking type (Manual)

Electrical entry

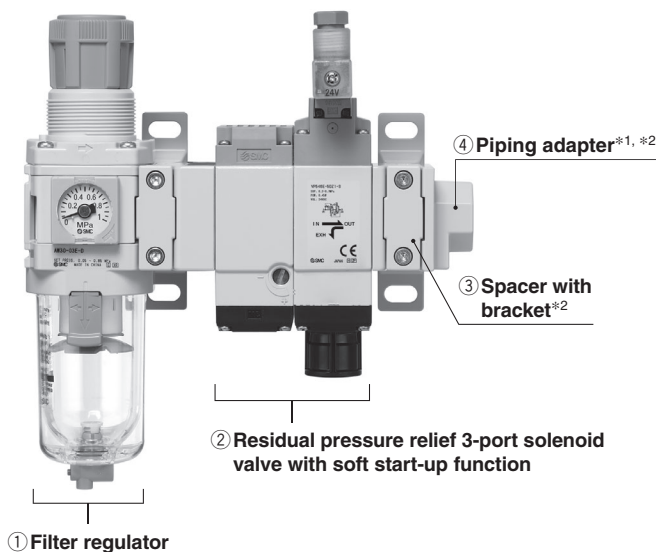
DIN terminal		DIN (EN 175301-803C) terminal	
D: With connector	DO: Without connector	Y: With connector	YO: Without connector
DZ: With connector/ With light/surge voltage suppressor		YZ: With connector/ With light/surge voltage suppressor	

* Refer to the **catalogue** on <https://www.smc.eu> (VP300/500 Low wattage specification) for details of the DIN terminal.

Caution

When using the surge voltage suppressor type, residual voltage will remain. For details, refer to the **catalogue** on <https://www.smc.eu> (VP300/500 Low wattage specification).

Assembly Example



Products do not come assembled. They should be ordered separately and assembled by the customer.

Please contact your local sales representative for more details.

Ordering Example

- ① Filter regulator AW30-03E-D 1 pc.
- ② Residual pressure relief 3-port solenoid valve with soft start-up function VP546E-5DZ1-S 1 pc.
- ③ Spacer with bracket Y300T-D 2 pcs.
- ④ Piping adapter E300-03-D 1 pc.

Applicable Combinations/Attachment Part Nos. (Refer to page 3)

Residual pressure relief 3-port solenoid valve	Air combination	Spacer with bracket	Piping adapter	Silencer
VP546E	AC30□-D	Y300T-D	E300-□03-D	AN30-03 AN302-03
VP746E	AC40□-D	Y400T-D	E400-□04-D	AN40-04 AN402-04

*1 Connection threads are not available for the residual pressure relief 3-port solenoid valve. Order a piping adapter separately.

*2 Refer to page 3 for details on the spacer with bracket and piping adapter.

3-Port Solenoid Valve Modular Type/ Residual Pressure Release Valve **VP546E/746E Series**

Specifications

Fluid	Air
Type of actuation	N.C.
Internal pilot operating pressure range [MPa]	0.2 to 0.7
Operating and ambient temperatures [°C]	-10 to 50 (No freezing)
Max. operating frequency [Hz]	5
Manual override	Non-locking push type Non-locking push type (Manual) Push-turn locking type (Manual)
Pilot exhaust	Individual exhaust
Lubrication	Not required
Mounting orientation	Unrestricted
Impact/Vibration resistance*1 [m/s ²]	150/30
Enclosure	IP65

*1 Impact resistance: No malfunction occurred when it is tested in the axial direction and at the right angles to the main valve and armature in both energised and de-energised states every once for each condition. (Values at the initial period)

Vibration resistance: No malfunction occurred in a one-sweep test between 45 and 2000 Hz. The test was performed at both energised and de-energised states in the axial direction and at the right angles to the main valve and armature. (Values at the initial period)

* This valve is a large flow rate pilot-operated solenoid valve. If the operating pressure falls below 0.2 MPa due to a pressure drop caused by insufficient air supply, it may not be able to switch properly.

Solenoid Specifications

Electrical entry	DIN terminal (D) DIN terminal (Y) <EN 175301-803C>	
	D, Y	
Coil rated voltage [V]	DC	24
Allowable voltage fluctuation	±10 % of the rated voltage	
Power consumption [W]	DC	Standard
		0.35 (With light: 0.45)
Surge voltage suppressor	Varistor	
Indicator light	LED	

Response Time/Weight

Model	Response time [ms] (at 0.5 MPa)	Weight [g]
VP546E	38	331 (With soft start-up function: 588)
VP746E	56	676 (With soft start-up function: 1194)

Flow Rate Characteristics

Model	Port size EXH.	Flow rate characteristics							
		1 → 2 (P → A)				2 → 3 (A → R)			
		C [dm ³ /(s·bar)]	b	Cv	Q [l/min (ANR)] ^{*1}	C [dm ³ /(s·bar)]	b	Cv	Q [l/min (ANR)] ^{*1}
VP546E	G3/8	8.8	0.14	2	2040	7.5	0.13	1.7	1729
VP546E-S	G3/8	6.6	0.07	1.5	1476	7.5	0.13	1.7	1729
VP746E	G1/2	13.8	0.11	2.9	3149	12.6	0.18	2.9	2985
VP746E-S	G1/2	10.5	0.12	2.3	2409	12.6	0.18	2.9	2985

*1 These values have been calculated according to ISO 6358 and indicate the flow rate under standard conditions with an inlet pressure of 0.6 MPa (relative pressure) and a pressure drop of 0.1 MPa.

VP546E/746E Series

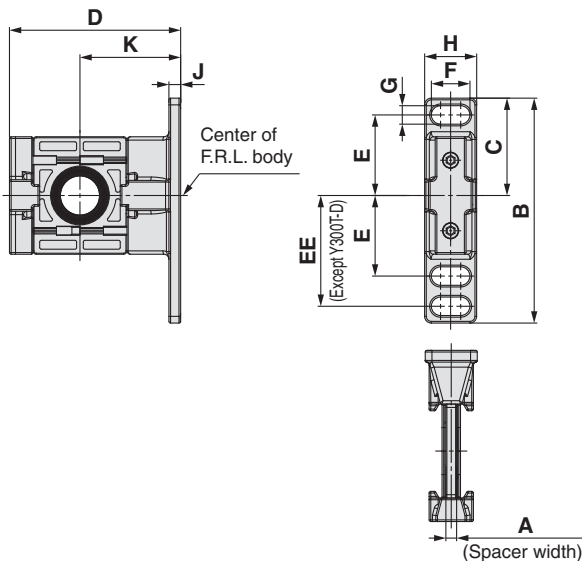
Spacer with Bracket

Y **300** T-D

① ②



Spacer with bracket (Y□T-D)



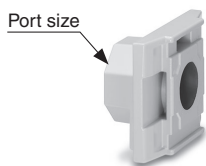
	Symbol	Description	①	
			Body size [Applicable AC size]	
			300 [AC30]	400 [AC40]
②	Bracket	T	Spacer with bracket	● ●

Model	A	B	C	D	E	EE	F	G	H	J	K	Applicable size
Y300T-D	4.2	85	42.5	67.5	35	—	14	7	20	6	41	AC30-D
Y400T-D	5.2	115	50	85.5	40	55	18	9	26	7	50	AC40-D

Piping Adapter: 3/8, 1/2

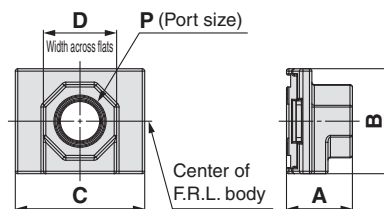
E **300** - **03** - D

① ② ③



Soft start-up valve: OFF
Valve: ON

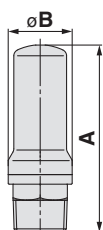
	Symbol	Description	①	
			Body size [Applicable AC size]	
			300 [AC30]	400 [AC40]
②	Pipe thread type	—	Rc	● ●
		N	NPT	● ●
		F	G	● ●
③	Port size	+		
		02	1/4	● ●
		03	3/8	● ●
		04	1/2	● ●
		06	3/4	— ●



Model	P	A	B	C	D	Applicable AC size
E300-D	1/4, 3/8, 1/2	27	43	53	30	AC30-D
E400-D	1/4, 3/8, 1/2, 3/4	30	51	71	36	AC40-D

Silencer

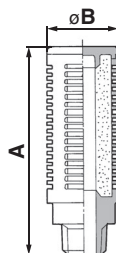
Compact resin type



[mm]

Model	Port size R	A	B
AN30-03	3/8	58.5	20
AN40-04	1/2	68	24

High noise reduction type



[mm]

Model	Port size R	A	B
AN302-03	3/8	84	28
AN402-04	1/2	95	34

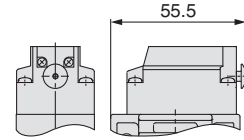
3-Port Solenoid Valve Modular Type/ Residual Pressure Release Valve **VP546E/746E Series**

Dimensions

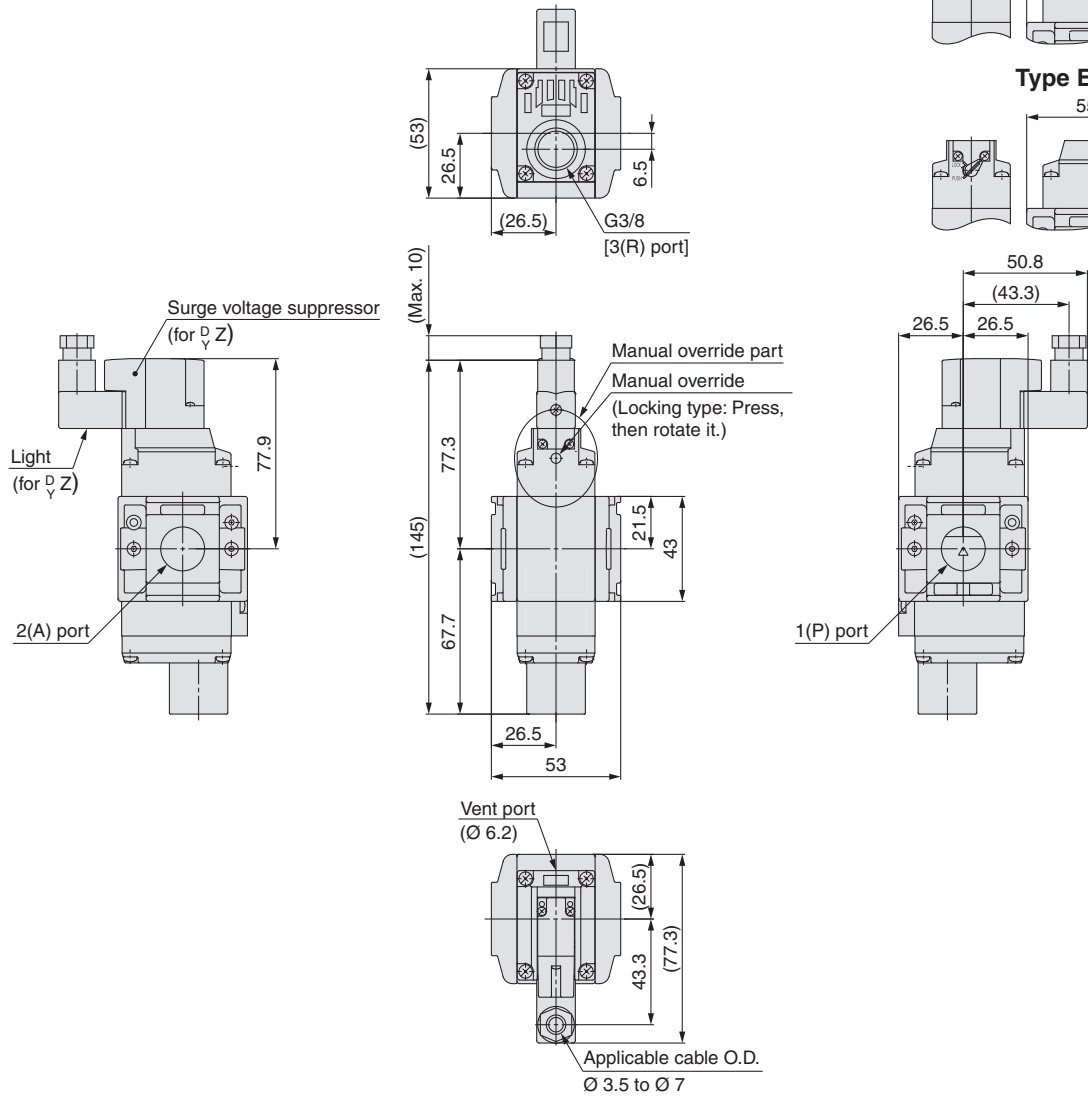
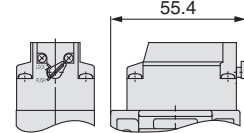
VP546E-5□□□1-□

Details of manual override part
(for manual operation)

Type A



Type E



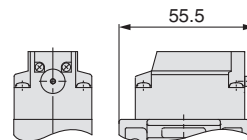
VP546E/746E Series

Dimensions

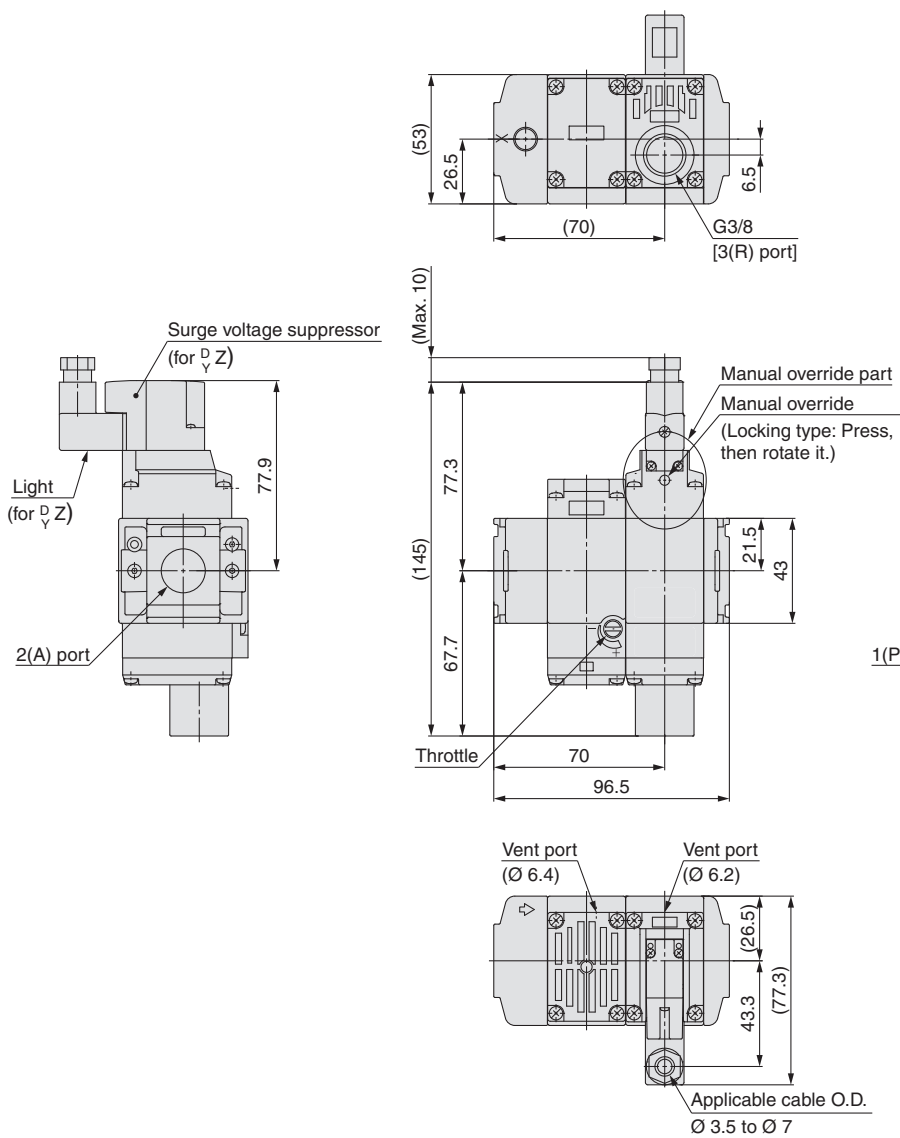
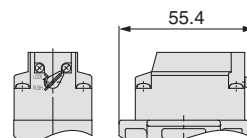
VP546E-5□□□1-□-S

Details of manual override part
(for manual operation)

Type A



Type E



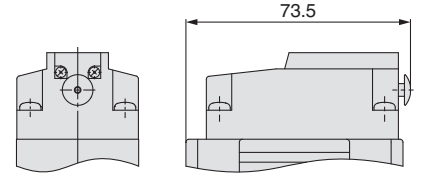
3-Port Solenoid Valve Modular Type/ Residual Pressure Release Valve **VP546E/746E Series**

Dimensions

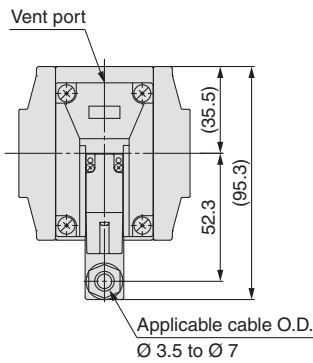
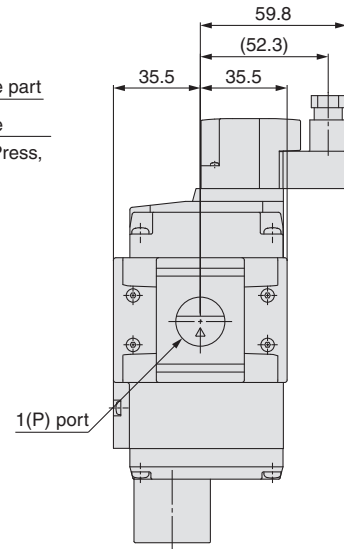
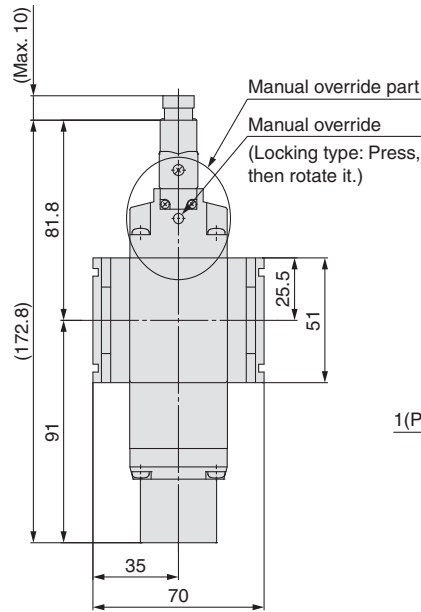
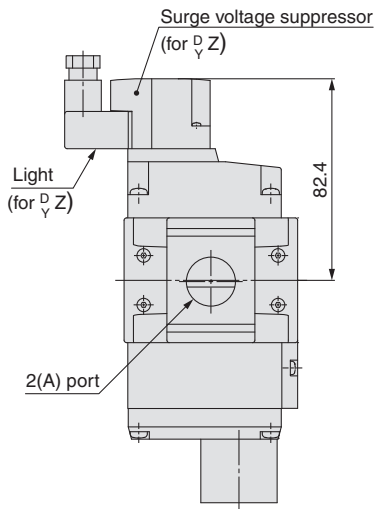
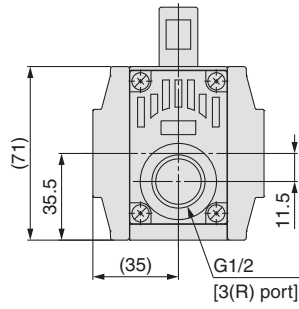
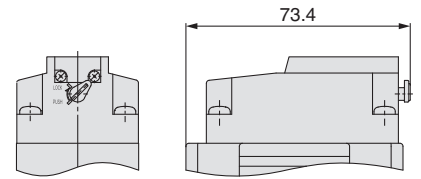
VP746E-5□□□1-□

Details of manual override part
(for manual operation)

Type A



Type E



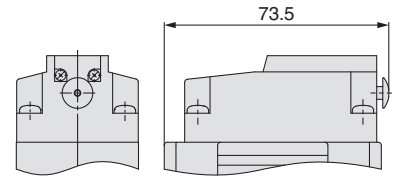
VP546E/746E Series

Dimensions

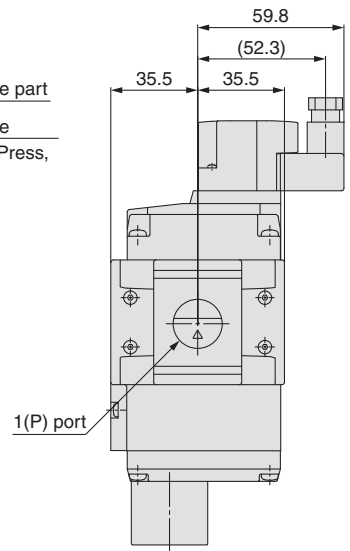
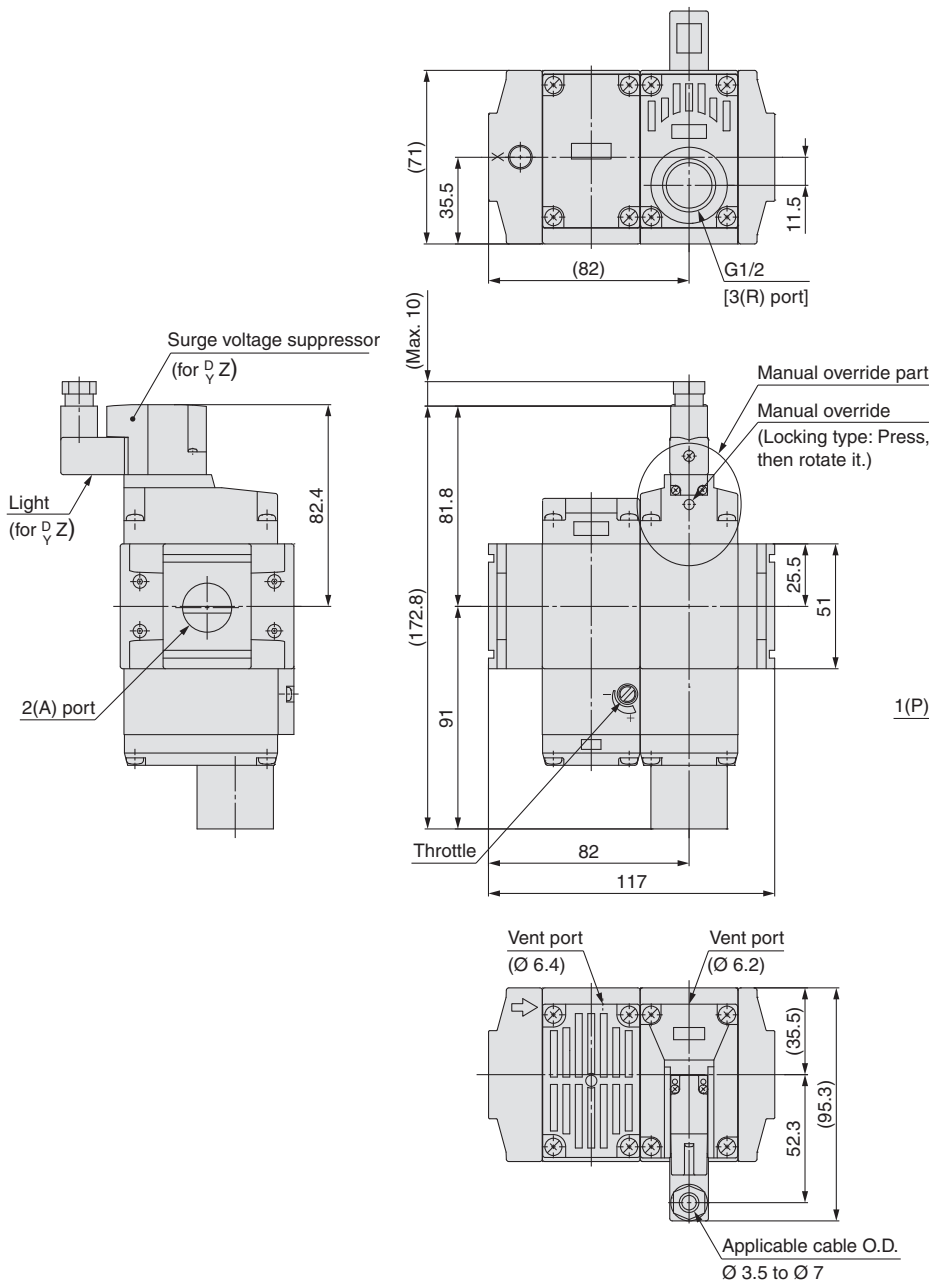
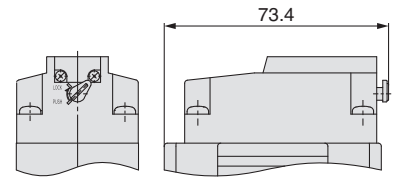
VP746E-5□□□1-□-S

Details of manual override part
(for manual operation)

Type A



Type E





SMC Corporation (Europe)

Austria	+43 (0)2262622800	www.smc.at	office@smc.at
Belgium	+32 (0)33551464	www.smc.be	info@smc.be
Bulgaria	+359 (0)2807670	www.smc.bg	office@smc.bg
Croatia	+385 (0)13707288	www.smc.hr	office@smc.hr
Czech Republic	+420 541424611	www.smc.cz	office@smc.cz
Denmark	+45 70252900	www.smcdk.com	smc@smcdk.com
Estonia	+372 6510370	www.smc pneumatics.ee	info@smcee.ee
Finland	+358 207513513	www.smc.fi	smc fi@smc.fi
France	+33 (0)164761000	www.smc-france.fr	info@smc-france.fr
Germany	+49 (0)61034020	www.smc.de	info@smc.de
Greece	+30 210 2717265	www.smchellas.gr	sales@smchellas.gr
Hungary	+36 23513000	www.smc.hu	office@smc.hu
Ireland	+353 (0)14039000	www.smcautomation.ie	sales@smcautomation.ie
Italy	+39 03990691	www.smcitalia.it	mailbox@smcitalia.it
Latvia	+371 67817700	www.smc.lv	info@smc.lv

Lithuania	+370 5 2308118	www.smclt.lt	info@smclt.lt
Netherlands	+31 (0)205318888	www.smc.nl	info@smc.nl
Norway	+47 67129020	www.smc-norge.no	post@smc-norge.no
Poland	+48 222119600	www.smc.pl	office@smc.pl
Portugal	+351 214724500	www.smc.eu	apoioclientept@smc.smces.es
Romania	+40 213205111	www.smcromania.ro	smcromania@smcromania.ro
Russia	+7 8123036600	www.smc.eu	sales@smcru.com
Slovakia	+421 (0)413213212	www.smc.sk	office@smc.sk
Slovenia	+386 (0)73885412	www.smc.si	office@smc.si
Spain	+34 945184100	www.smc.eu	post@smc.smces.es
Sweden	+46 (0)86031200	www.smc.nu	smc@smc.nu
Switzerland	+41 (0)523963131	www.smc.ch	helpcenter@smc.ch
Turkey	+90 212 489 0 440	www.smc pnomatik.com.tr	info@smc pnomatik.com.tr
UK	+44 (0)845 121 5122	www.smc.uk	sales@smc.uk