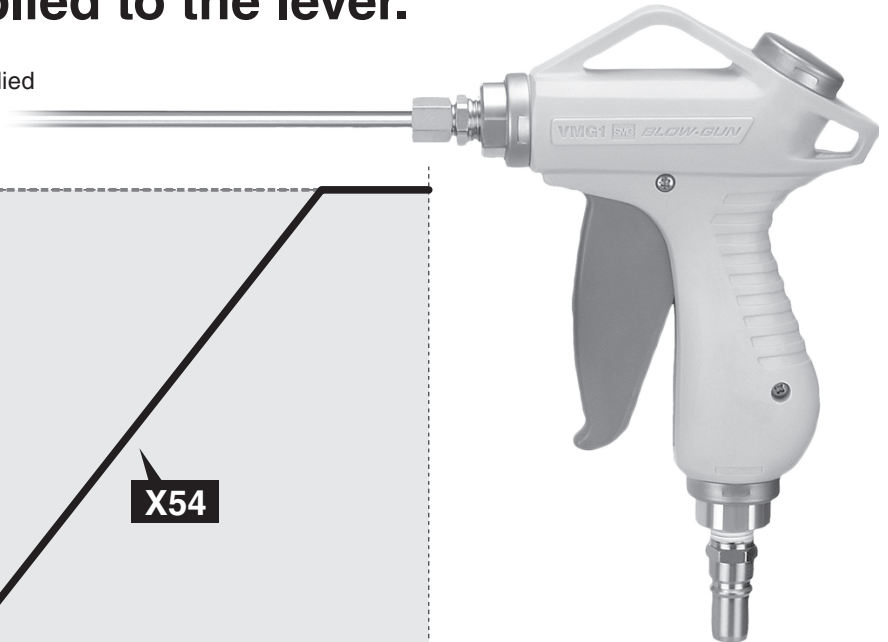
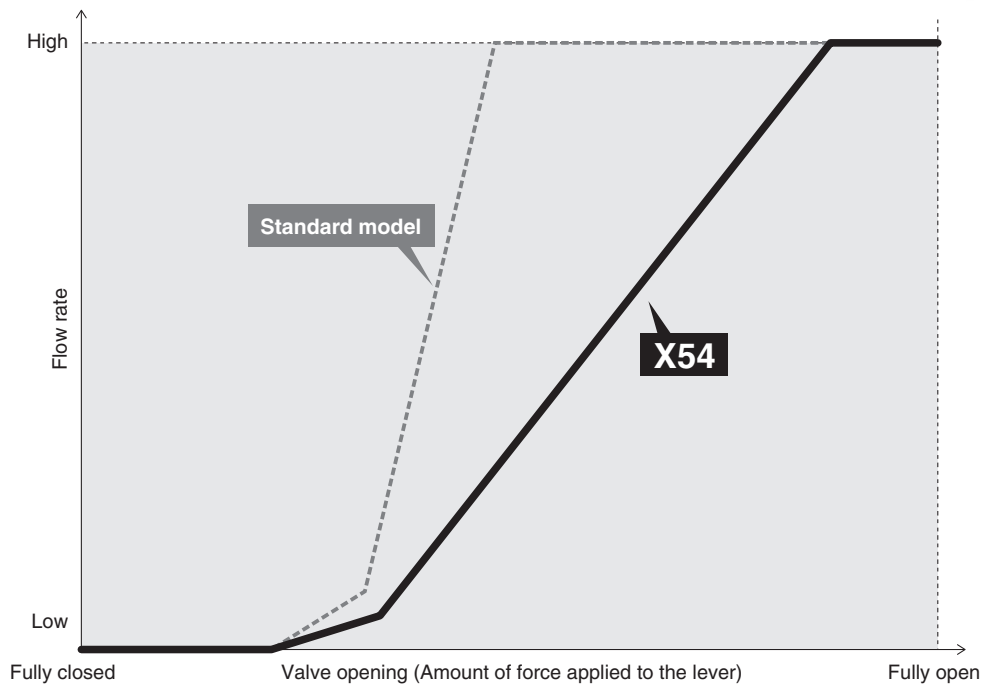


Blow Gun with Flow Rate Adjustment Function

The flow rate can be easily adjusted according to the amount of force applied to the lever.

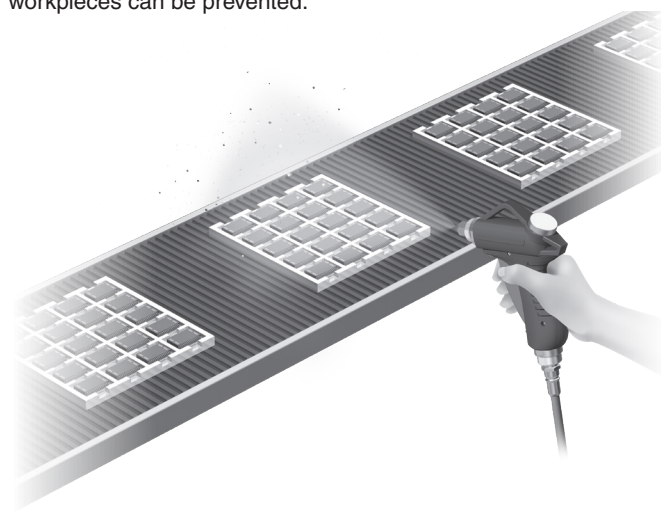
Relationship between the amount of force applied to the lever and the flow rate (Image)



Application Examples

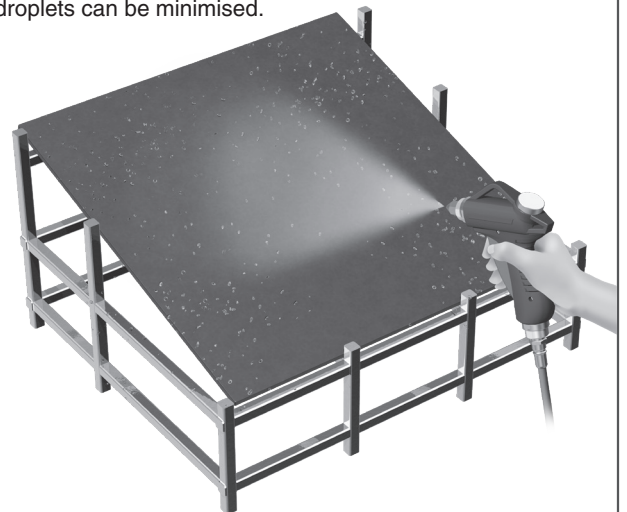
For the blowing of lightweight workpieces

By limiting the amount of blow air, the blowing away of workpieces can be prevented.



For the blowing off of water droplets

By limiting the amount of blow air, the spraying of water droplets can be minimised.



VMG1□-□-□-X54

How to Order

VMG 1 1 W - 02 - 32 - X54

Piping entry

1	Bottom
---	--------

Body colour

W	White
BU	Dark blue

• With flow rate adjustment function

Connection size

Symbol	Piping connection method	Size and part no.	
02	Threaded	Thread size	Rc1/4
03			Rc3/8
N02			NPT1/4
N03			NPT3/8
F02			G1/4
F03			G3/8
11			S coupler plug
12	KK130P-02MS		
H06	Metric size One-touch fitting	Part no. of fitting used	KQ2H06-02AS
H08			KQ2H08-02AS
H10			KQ2H10-02AS
H07	Inch size One-touch fitting	Part no. of fitting used	KQ2H07-35AS
H09			KQ2H09-35AS
H11			KQ2H11-35AS

- * The S coupler or fitting is shipped together with the product.
- * The port size is Rc1/4 if using an S coupler plug.
- * The blow gun port size is Rc 1/4 if using a metric size One-touch fitting.
- * The blow gun port size is NPT 1/4 if using an inch size One-touch fitting.

Nozzle

Symbol	Type	Nozzle size	Nozzle part no.
—	Without nozzle		
01	Male thread nozzle	Ø 1	KN-R02-100
02		Ø 1.5	KN-R02-150
03		Ø 2	KN-R02-200
04		Ø 2.5	KN-R02-250
05		Ø 3	VMG1-R02-300
06		Ø 3.5	VMG1-R02-350
07		Ø 4	VMG1-R02-400
11	High-efficiency nozzle	Ø 1	KNH-R02-100
12		Ø 1.5	KNH-R02-150
13		Ø 2	KNH-R02-200
21	Low-noise nozzle with male thread	Ø 0.75 x 4	KNS-R02-075-4
22		Ø 0.9 x 8	KNS-R02-090-8
23		Ø 1 x 4	KNS-R02-100-4
24		Ø 1.1 x 8	KNS-R02-110-8

Extension nozzle

Symbol	Type	Nozzle length	Nozzle size	Nozzle part no.	
31	Ø 6 copper*1 extension nozzle	300 mm	Ø 1.5	VMG1-06-150-300	
32			Ø 2	VMG1-06-200-300	
33			Ø 1.5	VMG1-06-150-600	
34		600 mm	Ø 2	VMG1-06-200-600	
35			Ø 1.5	VMG1-06-150-100	
36			Ø 2	VMG1-06-200-100	
37		150 mm	Ø 1.5	VMG1-06-150-150	
38			Ø 2	VMG1-06-200-150	
41			Ø 2.5	VMG1-08-250-100	
42		100 mm	Ø 3	VMG1-08-300-100	
43				Ø 3.5	VMG1-08-350-100
44				Ø 2.5	VMG1-08-250-150
45	150 mm		Ø 3	VMG1-08-300-150	
46			Ø 3.5	VMG1-08-350-150	
47			Ø 2.5	VMG1-08-250-300	
48	300 mm	Ø 3	VMG1-08-300-300		
49			Ø 3.5	VMG1-08-350-300	
50		600 mm	Ø 2.5	VMG1-08-250-600	
51			Ø 3	VMG1-08-300-600	
52		Ø 3.5	VMG1-08-350-600		

- *1 This is the part number for the extension nozzle and fitting set. The extension nozzle and fitting are shipped together with the product. Refer to "How to attach extension nozzle" in the operation manual for assembly procedures.

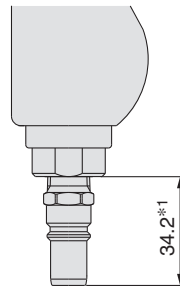
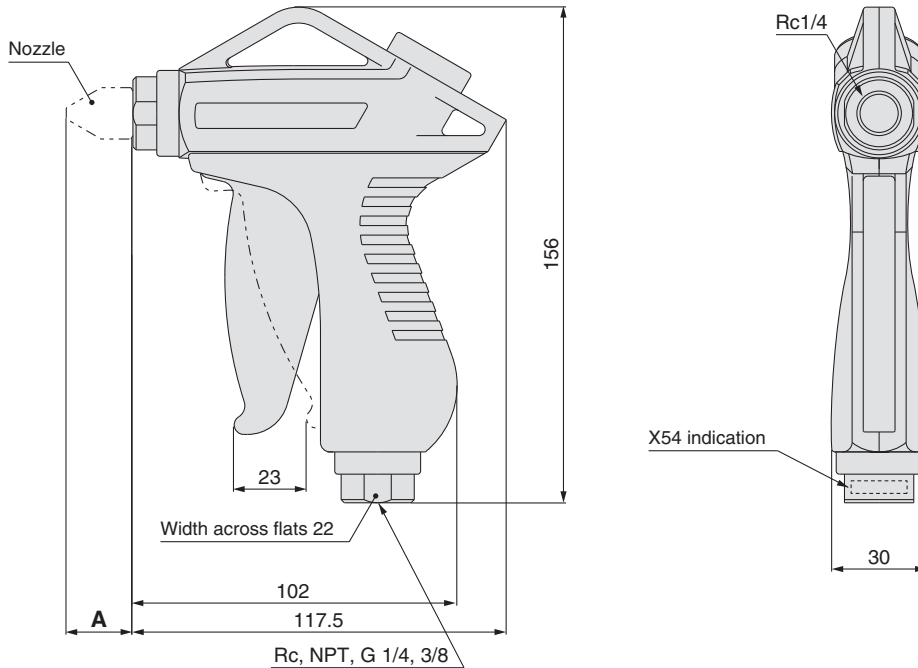
Specifications

Fluid	Air
Operating pressure range	0 to 1.0 MPa
Proof pressure	1.5 MPa
Ambient and fluid temperatures	-5 to 60 °C (No freezing)
Flow rate characteristics (With nozzle removed)	C (dm ³ /s·bar): 3.3*1 (Effective area: 16.5 mm ²)
Port size	Rc, NPT, G 1/4, 3/8
Piping entry	Bottom
Nozzle port size	Rc1/4
Weight (Main unit only)	165 g
Operational force (when the valve is fully open)	9 N*2

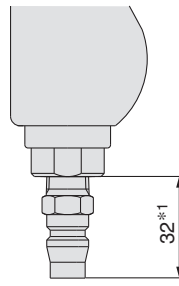
- *1 Though the value is smaller than that of the standard model, the flow rate characteristics when a nozzle is mounted are the same as those of the standard model.
- *2 The operational force is higher than that of the standard model for ease of flow adjustment with the lever.

Dimensions

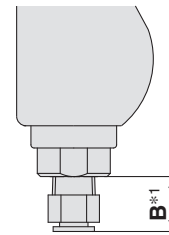
*1 Reference dimensions after installation



With S coupler plug mounted (KK4P-02MS)



With S coupler plug mounted (KK130P-02MS)



With One-touch fitting mounted (KQ2H series)

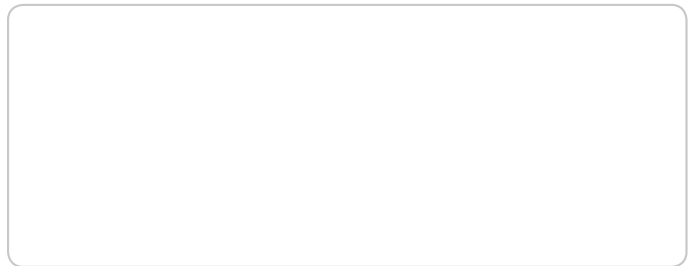
Symbol	Type	Nozzle part no.	Nozzle size	A*1 [mm]	
01	Male thread nozzle	KN-R02-100	Ø 1	23.4	
02		KN-R02-150	Ø 1.5	23	
03		KN-R02-200	Ø 2	22.5	
04		KN-R02-250	Ø 2.5	22.1	
05		VMG1-R02-300	Ø 3	22	
06		VMG1-R02-350	Ø 3.5	21.5	
07		VMG1-R02-400	Ø 4	21.5	
11	High-efficiency nozzle	KNH-R02-100	Ø 1	44	
12		KNH-R02-150	Ø 1.5	44	
13		KNH-R02-200	Ø 2	44	
21	Low-noise nozzle with male thread	KNS-R02-075-4	Ø 0.75 x 4	12	
22		KNS-R02-090-8	Ø 0.9 x 8	12	
23		KNS-R02-100-4	Ø 1 x 4	12	
24		KNS-R02-110-8	Ø 1.1 x 8	12	
31	Ø 6 copper extension nozzle*1	Nozzle length: 300 mm	VMG1-06-150-300	Ø 1.5	298
32			VMG1-06-200-300	Ø 2	
33		Nozzle length: 600 mm	VMG1-06-150-600	Ø 1.5	598
34			VMG1-06-200-600	Ø 2	
35		Nozzle length: 100 mm	VMG1-06-150-100	Ø 1.5	98
36			VMG1-06-200-100	Ø 2	
37	Nozzle length: 150 mm	VMG1-06-150-150	Ø 1.5	148	
38		VMG1-06-200-150	Ø 2		

*1 Reference dimensions after installation

Symbol	Type	Nozzle part no.	Nozzle size	A*1 [mm]
41		Nozzle length: 100 mm	VMG1-08-250-100	Ø 2.5
42			VMG1-08-300-100	Ø 3
43			VMG1-08-350-100	Ø 3.5
44	Ø 8 copper extension nozzle*1	Nozzle length: 150 mm	VMG1-08-250-150	Ø 2.5
45			VMG1-08-300-150	Ø 3
46			VMG1-08-350-150	Ø 3.5
47			VMG1-08-250-300	Ø 2.5
48		VMG1-08-300-300	Ø 3	298
49		VMG1-08-350-300	Ø 3.5	
50		Nozzle length: 600 mm	VMG1-08-250-600	Ø 2.5
51			VMG1-08-300-600	Ø 3
52			VMG1-08-350-600	Ø 3.5

Type	One-touch fitting part no.	B*1 [mm]
Metric size One-touch fitting	KQ2H06-02AS	12
	KQ2H08-02AS	17.3
	KQ2H10-02AS	22.6
Inch size One-touch fitting	KQ2H07-35AS	12.3
	KQ2H09-35AS	17.7
	KQ2H11-35AS	20.7

*1 Reference dimensions after installation



SMC Corporation (Europe)

Austria	+43 (0)2262622800	www.smc.at	office@smc.at
Belgium	+32 (0)33551464	www.smc.be	info@smc.be
Bulgaria	+359 (0)2807670	www.smc.bg	office@smc.bg
Croatia	+385 (0)13707288	www.smc.hr	office@smc.hr
Czech Republic	+420 541424611	www.smc.cz	office@smc.cz
Denmark	+45 70252900	www.smc.dk.com	smc@smcdk.com
Estonia	+372 6510370	www.smc.pneumatics.ee	info@smcee.ee
Finland	+358 207513513	www.smc.fi	smc.fi@smc.fi
France	+33 (0)164761000	www.smc-france.fr	info@smc-france.fr
Germany	+49 (0)61034020	www.smc.de	info@smc.de
Greece	+30 210 2717265	www.smchellas.gr	sales@smchellas.gr
Hungary	+36 23513000	www.smc.hu	office@smc.hu
Ireland	+353 (0)14039000	www.smcautomation.ie	sales@smcautomation.ie
Italy	+39 0292711	www.smcitalia.it	mailbox@smcitalia.it
Latvia	+371 67817700	www.smc.lv	info@smc.lv

Lithuania	+370 5 2308118	www.smclt.lt	info@smclt.lt
Netherlands	+31 (0)205318888	www.smc.nl	info@smc.nl
Norway	+47 67129020	www.smc-norge.no	post@smc-norge.no
Poland	+48 222119600	www.smc.pl	office@smc.pl
Portugal	+351 214724500	www.smc.eu	apoioclientept@smc.smces.es
Romania	+40 213205111	www.smcromania.ro	smcromania@smcromania.ro
Russia	+7 8123036600	www.smc.eu	sales@smcru.com
Slovakia	+421 (0)413213212	www.smc.sk	office@smc.sk
Slovenia	+386 (0)73885412	www.smc.si	office@smc.si
Spain	+34 945184100	www.smc.eu	post@smc.smces.es
Sweden	+46 (0)86031200	www.smc.nu	smc@smc.nu
Switzerland	+41 (0)523963131	www.smc.ch	info@smc.ch
Turkey	+90 212 489 0 440	www.smc.pnomatik.com.tr	info@smcpnomatik.com.tr
UK	+44 (0)845 121 5122	www.smc.uk	sales@smc.uk

SMC Corporation Akihabara UDX 15F, 4-14-1, Sotokanda, Chiyoda-ku, Tokyo 101-0021, JAPAN Phone: 03-5207-8249, Fax: 03-5298-5362