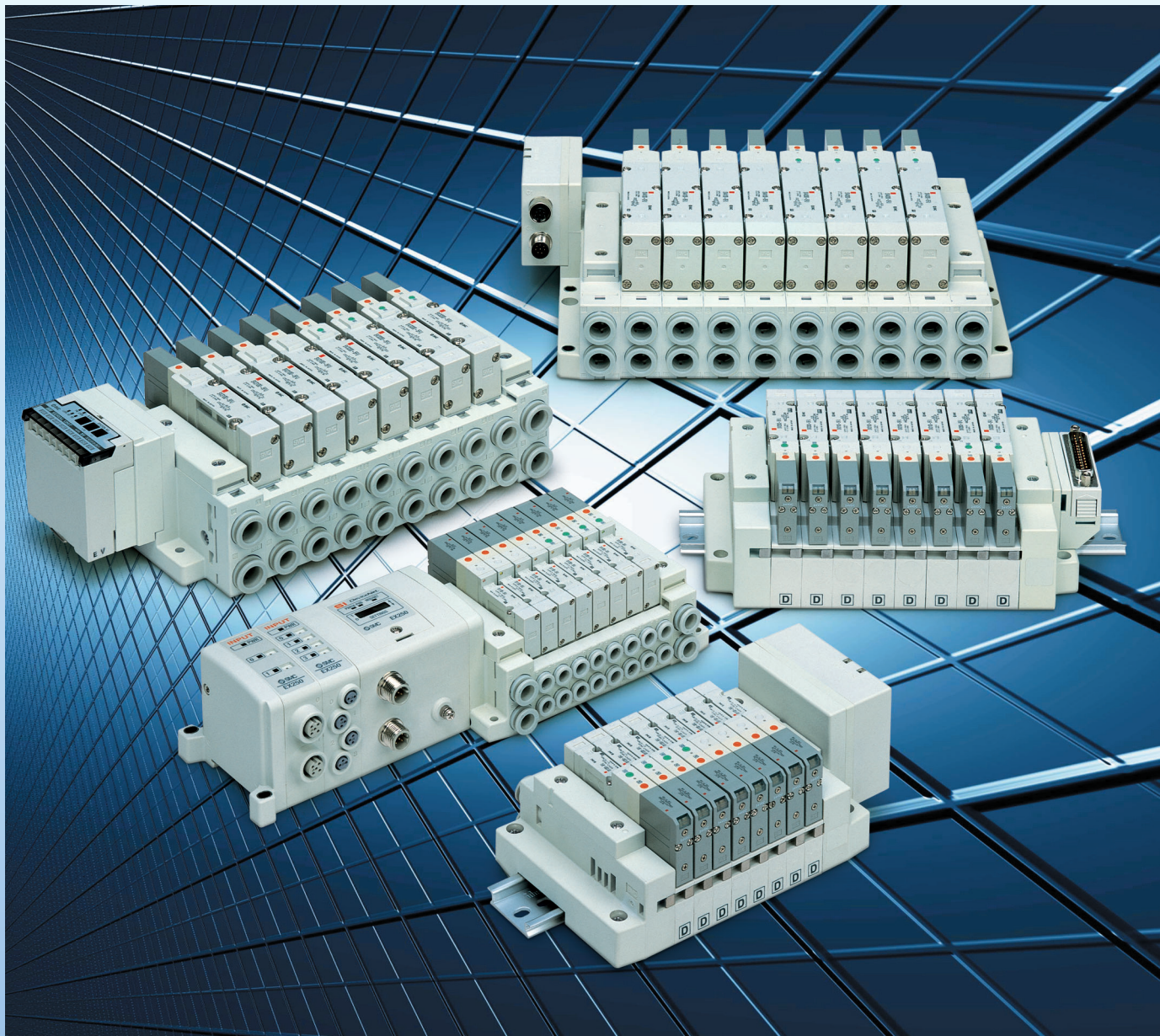


5 Port Solenoid Valve

Rubber Seal

Connector Type Manifold



Series **SV1000/2000/3000/4000**


EUS11-81Aaa-UK

Connector Type Manifold

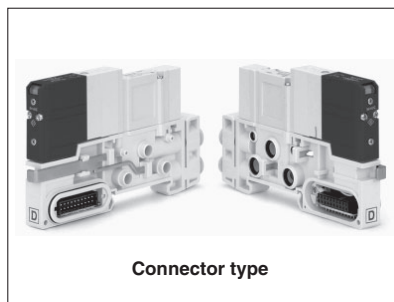
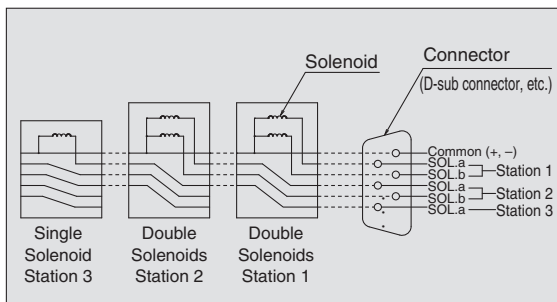
Series SV1000/2000/3000/4000

- The use of multi-pin connectors to replace wiring inside manifold blocks provides flexibility when adding stations or changing manifold configuration.

Series SV employs a multi-connector instead of the conventional lead wires for internal. By connecting each block with a connector, changes to manifold stations are greatly simplified.

Connector wiring diagram

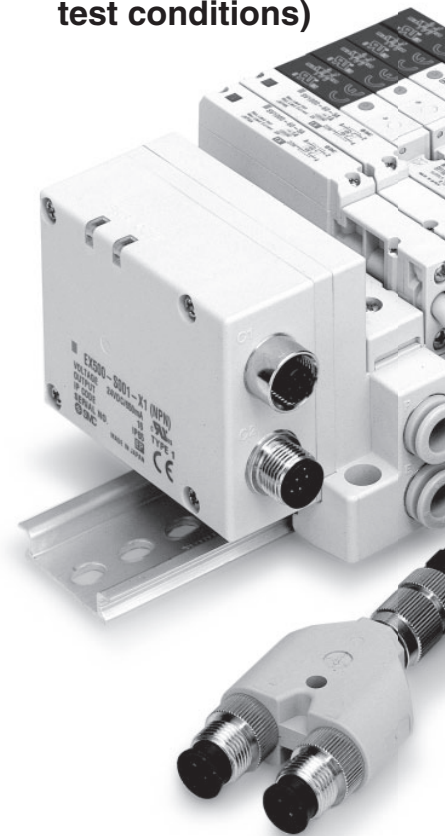
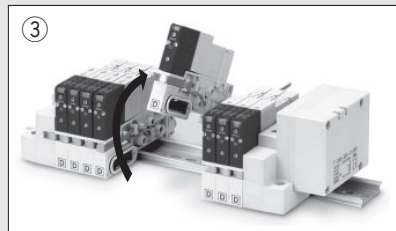
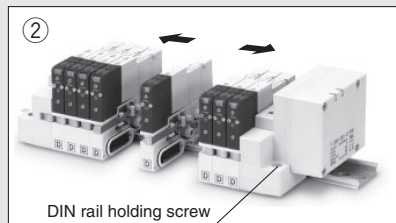
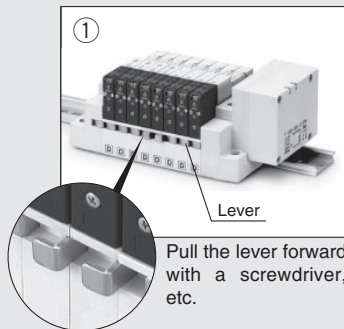
For both serial and parallel wiring, additional manifold blocks are sequentially assigned pins on the connector. This makes it completely unnecessary to disassemble the connector unit.



Service life of 50 million cycles or more
(Based on SMC life test conditions)

■ Cassette base type manifold (For SV1000/2000)

Cassette base type manifolds offer the ultimate in flexibility. Manifold sections can be added using a simple release mechanism.



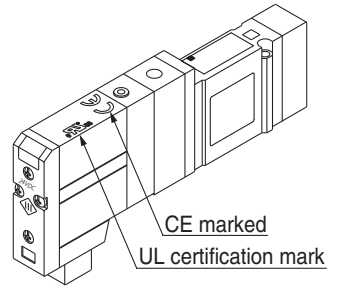
Power consumption: 0.6 W
(Current: 25 mA, 24 V DC)

■ Tie-rod base manifold (For SV1000/2000/3000/4000)

Conventional tie-rod base type manifolds are also available. 34 pins connector allows up to 16 stations with double solenoids. (Refer to the tie-rod base manifold exploded view on page 105.)

- A relay output module control of devices up to 110 V AC, 3 A.

■ The standard product is CE-compliant and UL-standard.



■ Series EX500: Gateway-type, serial transmission system

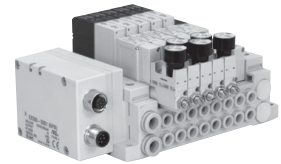
- IP67 compliant (Gateway unit and input manifold are compliant with IP65.)
- No. of input/output point: 128 points (Output 64 points, Input 64 points)
- Controls up to 4 branches with 32 I/O per branch
- A single cable from the gateway provides both signal and power for each branch, eliminating the need for separate power connections for each manifold.

■ Series EX250: Integrated-type (for I/O), serial transmission system

- IP67 compliant (compliant with IP40.)
- No. of input/output point: 64 points (Output 32 points, Input 32 points)
- Double solenoid allows up to 16 stations (up to 32 solenoids).

■ Interface regulator Series SV1000, 2000, 3000, 4000

- P port regulation, A port regulation and B port regulation are selectable, depending on an application. Able to set the pressure arbitrarily for each station of the manifold just by inserting between manifold base and valve.

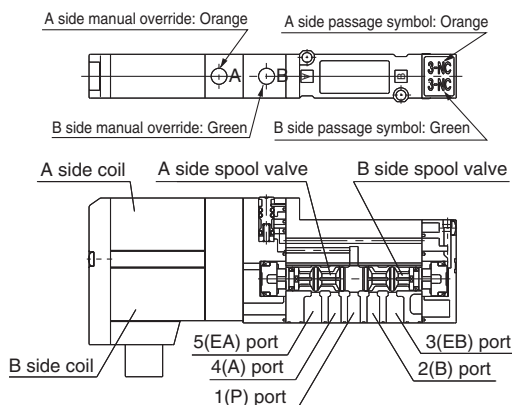


■ Increased moisture and dust resistance.

- Enclosure against foreign matters and water is conforming to IP67 *. Can be used in an atmosphere where the valve or manifold is exposed by water, etc. directly. (* Based on IEC60529) (Refer to the catalogue contents for details, as some types of connectors do not meet these standards.)

■ 4 position dual 3 port valves available for Series SV1000/2000

- Two 3 port valves built into a single valve body.
- A and B ports can be individually controlled.
- Three combinations are available: [N.C./N.C.], [N.O./N.O.], and [N.C./N.O.].
- Mixed mounting with 5 port valves is also possible.
- Labels are attached to indicate A and B side functions, using the same colour as the manual override.



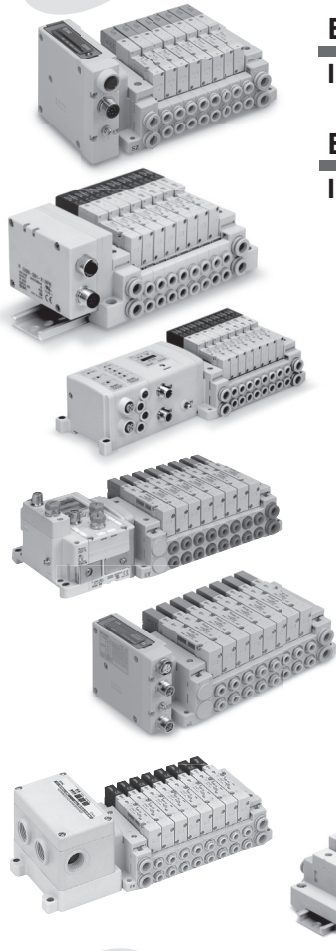
Model	A side	B side	Symbol	
			Series SV1000	Series SV2000
SV1A00	N.C. valve	N.C. valve		
SV1B00	N.O. valve	N.O. valve		
SV1C00	N.C. valve	N.O. valve		

* External pilot specifications is not available for 4 position dual 3 port valves.

INDEX

Series SV Manifold Variations

Serial Wiring



Valve Manifold Common Specifications

P. 5

EX500 Gateway Decentralised System 2

Manifold specifications

P. 8

IP67 compliant

Applicable series

Tie-rod base manifold
SV1000/SV2000/SV3000

• Number of output points: 32 points • Connected to the SI unit of the EX500

EX500 Gateway Decentralised System

P. 8

IP67 compliant

Applicable series

Cassette base manifold
SV1000/SV2000

Tie-rod base manifold
SV1000/SV2000/SV3000/SV4000

• Number of output points: 16 points • Connected to the SI unit of the EX500

EX250 Integrated-type (For I/O) Serial Transmission System

P. 24

IP67 (partly IP40) compliant

Applicable series

Tie-rod base manifold
SV1000/SV2000/SV3000

• Number of input/output points: Each 32 points

EX600 Integrated-type (For I/O) Serial Transmission System

P. 30

IP67 compliant

Applicable series

Tie-rod base manifold
SV1000/SV2000/SV3000

• Digital input/output: Max. 144 inputs/144 outputs
• Analogue input: Max. 18 channels
• Valve output: 32 outputs

EX260 Integrated-type (For Output) Serial Transmission System

P. 40

IP67 (partly IP40) compliant

Applicable series

Tie-rod base manifold
SV1000/SV2000/SV3000

• Number of output points: 16 points

EX126 Integrated-type (For Output) Serial Transmission System

P. 46

IP67 compliant

Applicable series

Tie-rod base manifold
SV1000/SV2000/SV3000

• Number of output points: 16, 32 points

EX120 Integrated-type (For Output) Serial Transmission System

P. 52

Applicable series

Cassette base manifold
SV1000/SV2000

Tie-rod base manifold
SV1000/SV2000/SV3000/SV4000

• Number of output points: 16 points

For Circular Connector

P. 62

IP67 compliant

Applicable series

Cassette base manifold
SV1000/SV2000

Tie-rod base manifold
SV1000/SV2000/SV3000/SV4000

• Number of connectors: 26 pins

D-sub Connector

P. 72

Applicable series

Cassette base manifold
SV1000/SV2000

Tie-rod base manifold
SV1000/SV2000/SV3000/SV4000

• Number of connectors: 25 pins
• MIL-C-24308 Conforming to JIS-X-5101

Flat Ribbon Cable Connector

P. 82

Applicable series

Cassette base manifold
SV1000/SV2000

Tie-rod base manifold
SV1000/SV2000/SV3000/SV4000

• Number of connectors: 26, 20, 10 pins
• With strain relief Conforming to MIL-C-83503

Manifold Exploded View/Manifold Options

P. 93

Single Valve/Sub-plate [IP67 compliant]

P. 109

IP67 compliant

Applicable series

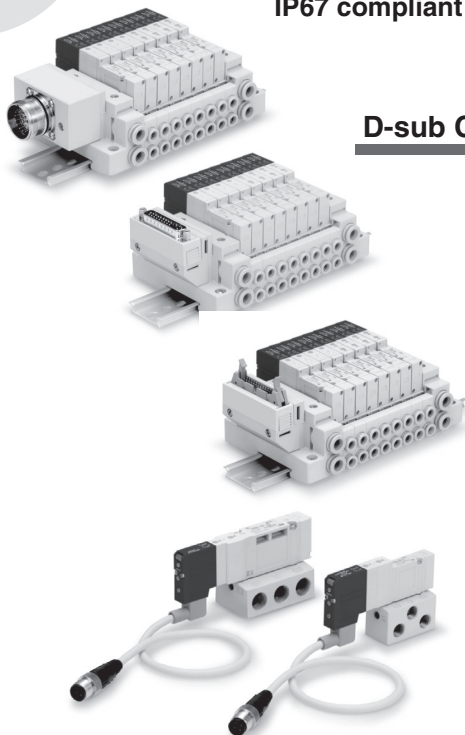
SV1000/SV2000/SV3000/SV4000

• With waterproof M12 connector

Made to Order Specifications

P. 117

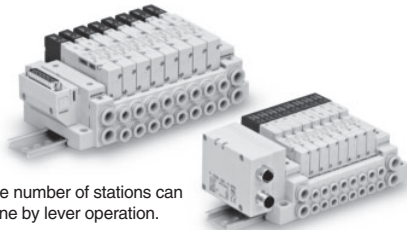
Parallel Wiring



Valve Manifold Common Specifications Series SV



Cassette base manifold



- Changing the number of stations can be easily done by lever operation.

Manifold Specifications

Applicable series		SV1000	SV2000
Manifold type		Stacking type cassette base manifold	
1 (P: SUP), 3/5 (E: EXH) type		Common SUP, EXH	
Valve stations (maximum)		18 stations	20 stations
Max. number of solenoids		18 points	26 points
Port size	1(P), 3/5(E) port	C8, N9	C10, N11
	4(A), 2(B) port	C3, C4, C6 N1, N3, N7	C4, C6, C8 N3, N7, N9

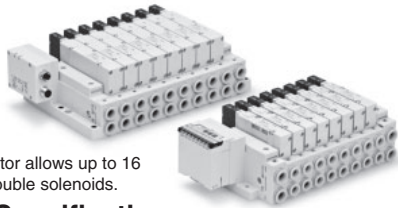
Flow Characteristics

Model	Port size		Flow characteristics							
	1, 5, 3 (P,EA,EB)	4, 2 (A,B)	1→4/2 (P→A/B)				4/2→3/5 (A/B→E)			
			C [dm ³ /(s·bar)]	b	Cv	Q [l/min (ANR)] ^{Note 2)}	C [dm ³ /(s·bar)]	b	Cv	Q [l/min (ANR)] ^{Note 2)}
SS5V1-16	C8	C6	0.89	0.22	0.22	216	0.98	0.21	0.23	236
SS5V2-16	C10	C8	2.3	0.28	0.50	578	2.7	0.18	0.56	640

Note 1) The value is for manifold base with 5 stations and individually operated 2 position type.

Note 2) These values have been calculated according to ISO 6358 and indicate the flow rate under standard conditions with an inlet pressure of 0.6 MPa (relative pressure) and a pressure drop of 0.1 MPa.

Tie-rod base manifold



- 34 pins connector allows up to 16 stations with double solenoids.

Manifold Specifications

Applicable series		SV1000	SV2000	SV3000	SV4000
Manifold type		Tie-rod base manifold			
1 (P: SUP), 3/5 (E: EXH) type		Common SUP, EXH			
Valve stations (maximum)		20 stations			
Max. number of solenoids		32 points			
Port size	1(P), 3/5(E) port	C8, N9	C10, N11	C12, N11	C12, N11,03
	4(A), 2(B) port	C3, C4, C6 N1, N3, N7	C4, C6, C8 N3, N7, N9	C6, C8, C10 N7, N9, N11	C8, C10, C12 N9, N11, 02, 03

Flow Characteristics

Model	Port size		Flow characteristics							
	1, 5, 3 (P,EA,EB)	4, 2 (A,B)	1→4/2 (P→A/B)				4/2→3/5 (A/B→E)			
			C [dm ³ /(s·bar)]	b	Cv	Q [l/min (ANR)] ^{Note 2)}	C [dm ³ /(s·bar)]	b	Cv	Q [l/min (ANR)] ^{Note 2)}
SS5V1-10	C8	C6	0.98	0.26	0.24	243	1.1	0.35	0.28	289
SS5V2-10	C10	C8	2.1	0.20	0.46	503	2.4	0.18	0.48	568
SS5V3-10	C12	C10	4.2	0.22	0.91	1018	4.3	0.21	0.93	1036
SS5V4-10	C12	C12	6.2	0.19	1.3	1477	7.0	0.18	1.6	1658

Note 1) The value is for manifold base with 5 stations and individually operated 2 position type.

Note 2) These values have been calculated according to ISO 6358 and indicate the flow rate under standard conditions with an inlet pressure of 0.6 MPa (relative pressure) and a pressure drop of 0.1 MPa.

Enclosure of Manifold Variations (Common for cassette base and tie-rod base)

Series	Enclosure (Based on IEC60529)
EX500 (Gateway Decentralised System 2 (128 points)) Serial Transmission System	IP67 ^{Note 1)}
EX500 (Gateway Decentralised System (64 points)) Serial Transmission System	IP67 ^{Note 2)}
EX250 Serial Transmission System	IP67 (partly IP40)
EX600 Serial Transmission System	IP67
EX260 Serial Transmission System	IP67 (partly IP40)
EX126 Serial Transmission System	IP67
EX120 Serial Transmission System	IP20
Circular connector	IP67
D-sub connector	Dusttight (IP40)
Flat ribbon cable	Dusttight (IP40)

Note 1) Enclosure of a gateway unit is IP65.

Note 2) Enclosure of a gateway unit and input manifold is IP65.

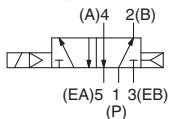
Series SV Solenoid Valve Specifications

 **Made to Order Specifications**
(For details, refer to page 125.)

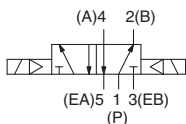
Symbol

SV1000/2000/3000/4000

2 position single solenoid

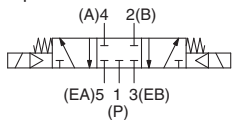


2 position double solenoid

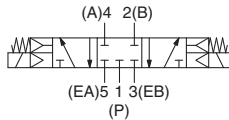


SV1000/2000/3000

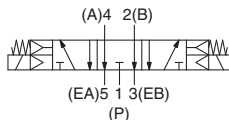
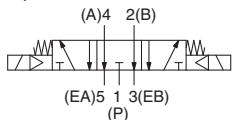
3 position closed centre



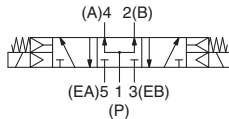
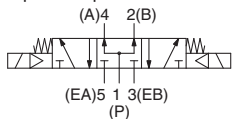
SV4000



3 position exhaust centre

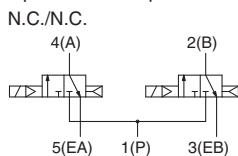


3 position pressure centre

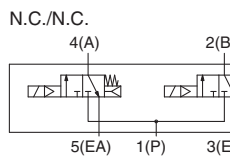


SV1000

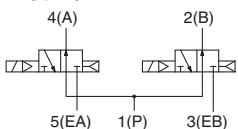
4 position dual 3 port valve



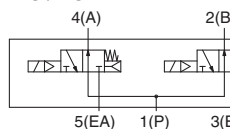
SV2000



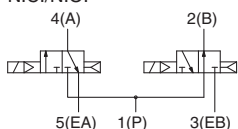
N.O./N.O.



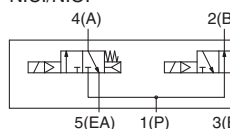
N.C./N.C.



N.C./N.O.



N.C./N.O.



* SV3000 and 4000 are not available with 4 position dual 3 port valve.

Fluid		Air
Internal pilot Operating pressure range (MPa)	2 position single	0.15 to 0.7
	4 position dual 3 port valve	
External pilot Operating pressure range (MPa)	2 position double	0.1 to 0.7
	3 position	0.2 to 0.7
Operating pressure range (MPa)	Operating pressure range	-100 kPa to 0.7
	2 position single, double	0.25 to 0.7
3 position		
Ambient and fluid temperature (°C)		-10 to 50 (No freezing)
Max. operating frequency (Hz)	2 position single, double	5
	4 position dual 3 port valve	
	3 position	
Manual override		Non-locking push type Push-turn locking slotted type
Pilot exhaust method	Internal pilot	Common exhaust type for main and pilot valve Pilot valve individual exhaust
	External pilot	
Lubrication		Not required
Mounting orientation		Unrestricted
Impact/Vibration resistance (ms²)		150/30
Enclosure		IP67 (Based on IEC60529)
Coil rated voltage		24 V DC, 12 V DC
Allowable voltage fluctuation		±10 % of rated voltage
Power consumption		0.6 (With indicator light: 0.65)
Surge voltage suppressor		Zener diode
Indicator light		LED

Note) Impact resistance: No malfunction occurred when it is tested with a drop tester in the axial direction and at the right angles to the main valve and armature in both energised and de-energised states every once for each condition. (Values at the initial period)

Vibration resistance: No malfunction occurred in a one-sweep test between 45 and 2000 Hz. Test was performed at both energised and de-energised states in the axial direction and at the right angles to the main valve and armature. (Values at the initial period)

Response Time

Type of actuation	Response time (ms) (at the pressure of 0.5 MPa)			
	SV1000	SV2000	SV3000	SV4000
2 position single	11 or less	25 or less	28 or less	40 or less
2 position double	10 or less	17 or less	26 or less	40 or less
3 position	18 or less	29 or less	32 or less	82 or less
4 position dual 3 port valve	15 or less	33 or less	—	—

Note) Based on dynamic performance test, JIS B 8375-1981.
(Coil temperature: 20 °C, at rated voltage)

Weight

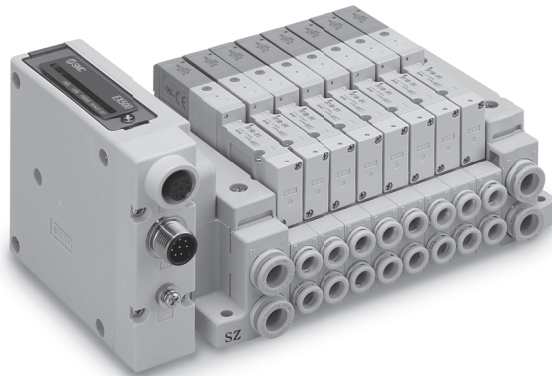
Series	Type of actuation	Weight (g)
SV1000	Single solenoid	66
	Double solenoid	71
	3 position	73
	4 position dual 3 port	71
SV2000	Single solenoid	74
	Double solenoid	78
	3 position	83
	4 position dual 3 port	78
SV3000	Single solenoid	99
	Double solenoid	102
	3 position	110
SV4000	Single solenoid	186
	Double solenoid	190
	3 position	211

Note) Weight of solenoid valve only.

Gateway-type Serial Transmission System

Series EX500

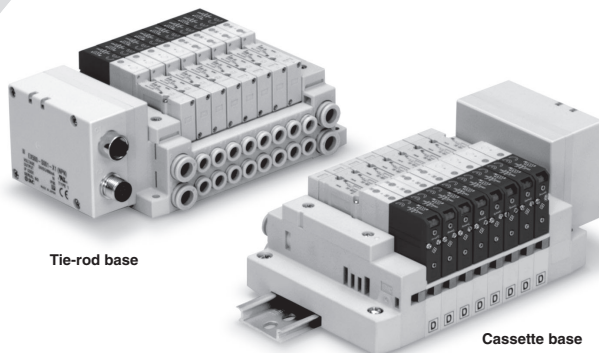
IP67 compliant



EX500 Gateway Decentralised System 2 **P. 9**

Applicable series	Tie-rod base manifold SV1000/SV2000/SV3000
	<ul style="list-style-type: none">• Number of output points: 32 points• Connected to the SI unit of the EX500

IP67 compliant



EX500 Gateway Decentralised System **P. 15**

Applicable series	Cassette base manifold SV1000/SV2000
	Tie-rod base manifold SV1000/SV2000/SV3000/SV4000
<ul style="list-style-type: none">• Number of output points: 16 points• Connected to the SI unit of the EX500	

EX500 (Gateway Decentralised System 2 (128 Points)) Serial Transmission System

Series SV



How to Order Manifold

● Tie-rod base



① Series

1	SV1000
2	SV2000
3	SV3000

② SI unit (Number of outputs, Output polarity, Max. number of valve stations, Protocol)

0	Without SI unit
A3N	32 outputs ^{Note 1) 3)} , Negative common, 2 to 16 stations (20 stations ^{Note 2)}), EtherNet/IP™, PROFINET

Note 1) 16 outputs can be set by switching the built-in setting switch.

Note 2) (): Maximum number of stations for mixed single and double wiring.

Note 3) When using the SI unit with 32 outputs, use the GW unit compatible with the EX500 Gateway Decentralised System 2 (128 points).

③ Valve stations

Stations	Note
02	2 stations Double wiring ^{Note 1)}
⋮	
16	
02	2 stations Specified layout ^{Note 2)} (Available up to 32 solenoids)
⋮	
20	

Note 1) Double wiring: single, double, 3-position and 4-position valves can be used on all manifold stations.

Use of a single solenoid will result in an unused control signal. If this is not desired, order with a specified layout.

Note 2) Specified layout: Indicate the wiring specifications on the manifold specification sheet. (Note that double, 3-position and 4-position valves cannot be used where single wiring has been specified.)

SI unit part no.

Symbol	Compatible protocol	SI unit part no.
A3N	EtherNet/IP™	EX500-S103
	PROFINET	

④ P, E port entry

U	U side (2 to 10 stations)
D	D side (2 to 10 stations)
B	Both sides (2 to 20 stations)

⑤ SUP/EXH block assembly

—	Internal pilot
S	Internal pilot, Built-in silencer ^{Note)}
R	External pilot
RS	External pilot, Built-in silencer ^{Note)}

Note) When the built-in silencer type is used, keep the exhaust port from coming in direct contact with water or other liquids.

⑦ Mounting

—	Direct mounting
D	With DIN bracket, DIN rail with standard length
D0	With DIN bracket, without DIN rail
D3 ^{Note)}	With DIN bracket, DIN rail for 3 stations
⋮	⋮
D20 ^{Note)}	With DIN bracket, DIN rail for 20 stations

Note) Specify a longer rail than the length of valve stations.

* If the DIN rail must be mounted without an SI unit, select "D0" and order the DIN rail separately. Refer to L3 of the dimensions for the DIN rail length. For the DIN rail part number, refer to the **WEB catalogue**.

⑥ A, B port size Metric size

	A, B port	P, E port	Applicable series
C3	Ø 3.2 One-touch fitting	Ø 8 One-touch fitting	SV1000
C4	Ø 4 One-touch fitting		
C6	Ø 6 One-touch fitting		
C4	Ø 4 One-touch fitting	Ø 10 One-touch fitting	SV2000
C6	Ø 6 One-touch fitting		
C8	Ø 8 One-touch fitting		
C6	Ø 6 One-touch fitting	Ø 12 One-touch fitting	SV3000
C8	Ø 8 One-touch fitting		
C10	Ø 10 One-touch fitting		
M ^{Note)}	A, B port mixed		

Inch size

	A, B port	P, E port	Applicable series
N1	Ø 1/8" One-touch fitting	Ø 5/16" One-touch fitting	SV1000
N3	Ø 5/32" One-touch fitting		
N7	Ø 1/4" One-touch fitting		
N3	Ø 5/32" One-touch fitting	Ø 3/8" One-touch fitting	SV2000
N7	Ø 1/4" One-touch fitting		
N9	Ø 5/16" One-touch fitting		
N7	Ø 1/4" One-touch fitting	Ø 3/8" One-touch fitting	SV3000
N9	Ø 5/16" One-touch fitting		
N11	Ø 3/8" One-touch fitting		
M ^{Note)}	A, B port mixed		

Note) Indicate the sizes on the manifold specification sheet.

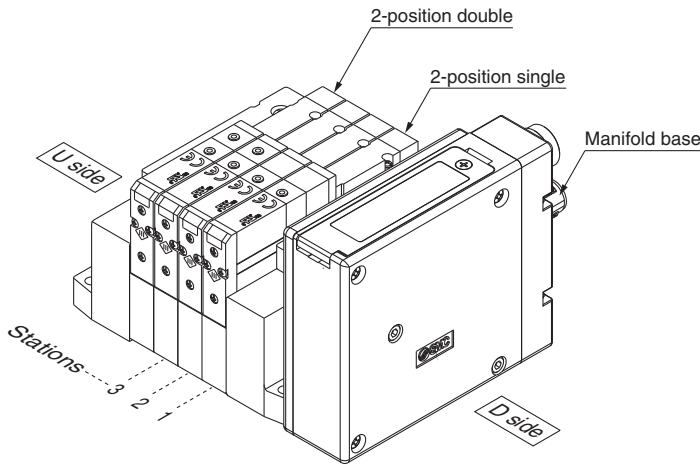
* The X and PE port size of external pilot type [R, RS] are 4 (mm) or Ø 5/32" (inch) for the SV1000/2000 series, and Ø 6 (mm) or Ø 1/4" (inch) for the SV3000 series.

* A separate GW unit and communication cable are required.

For details about the EX500 series, refer to the **WEB catalogue**.

How to Order Manifold Assembly

Example

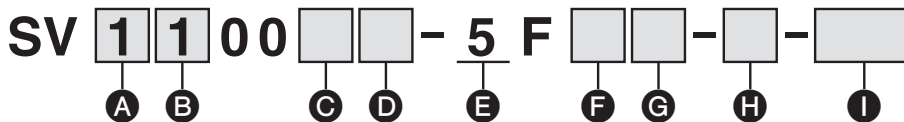


SS5V1-W10S1A3ND-04B-C6.....1 set (Manifold base part number)
 * SV1100-5FU.....2 sets (2-position single part number)
 * SV1200-5FU.....2 sets (2-position double part number)

The asterisk denotes the symbol for assembly.
 Prefix it to the part numbers of the valve etc.

- The valve arrangement is numbered as the 1st station from the D side.
- Under the manifold base part number, state the valves to be mounted in order from the 1st station as shown in the figure above. If the arrangement becomes complicated, specify on the manifold specification sheet.

How to Order Valves



A Series

1	SV1000
2	SV2000
3	SV3000

B Type of actuation

1	2-position single
2	2-position double
3	3-position closed centre
4	3-position exhaust centre
5	3-position pressure centre

A (Note) 4-position dual 3-port valve (N.C./N.C.)

B (Note) 4-position dual 3-port valve (N.O./N.O.)

C (Note) 4-position dual 3-port valve (N.C./N.O.)

Note) Select the SV1000 or SV2000 series for the 4-position dual 3-port valve.

* Select the internal pilot type for the 4-position dual 3-port valve.

C Pilot type

—	Internal pilot
R	External pilot

D Back pressure check valve

—	None
K	Built-in

* Built-in back pressure check valve type is applicable to the SV1000 series only.

* The product with a back pressure check valve is not available for 3-position valves.

* Refer to the **WEB catalogue** for built-in back pressure check valve type.

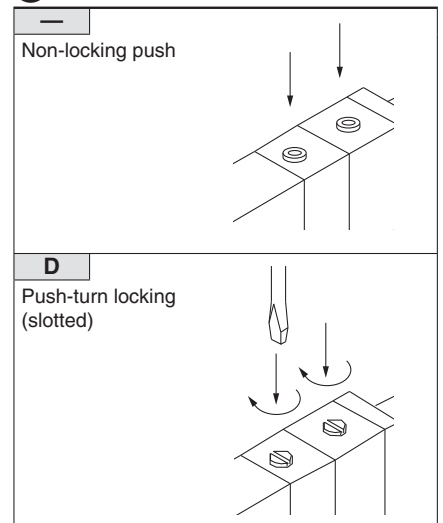
E Rated voltage

5	24 V DC
---	---------

F Light/surge voltage suppressor

U	With light/surge voltage suppressor
R	Without light, with surge voltage suppressor

G Manual override



H Manifold block

If stations are to be added, order the product with manifold block.
 (For details, refer to the **WEB catalogue**.)

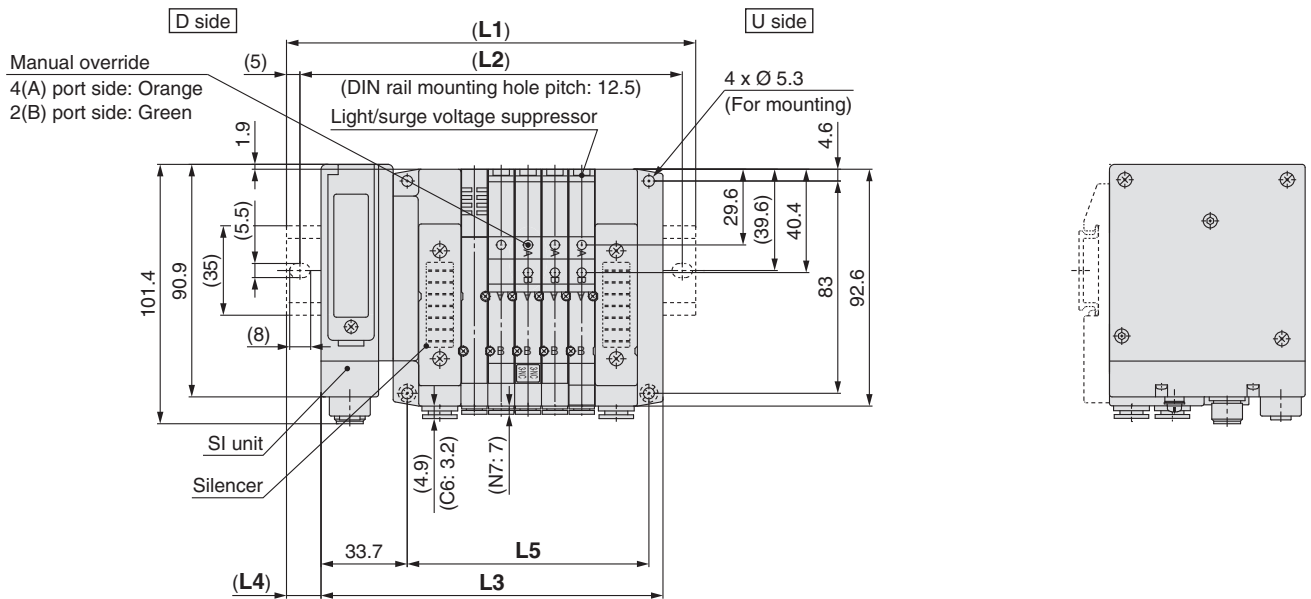
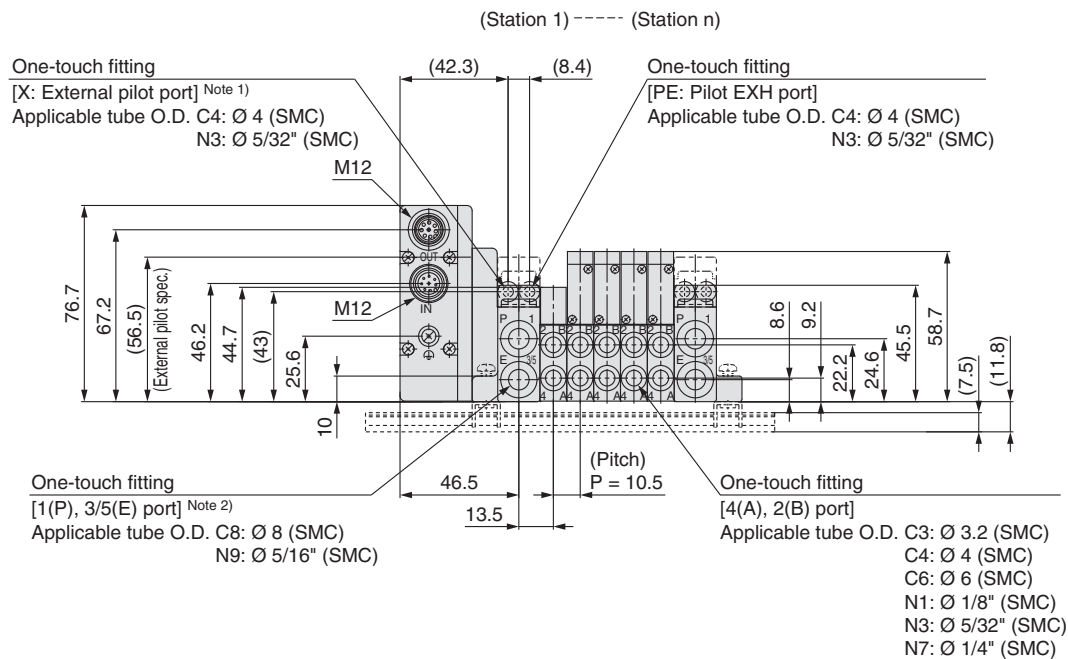
I Made to Order

—	—
X90	Main valve fluororubber specification (For details, refer to the WEB catalogue .)

Series SV

Dimensions: Series SV1000 for EX500 Gateway Decentralised System 2 (128 points)

● Tie-rod base manifold



Note 1) External pilot port positions and silencer discharge port positions are the same as P, E port outlet positions.
Note 2) When P, E port outlets are indicated on the U side or D side, the P, E ports on the opposite side are plugged.

L: DIN Rail Overall Length

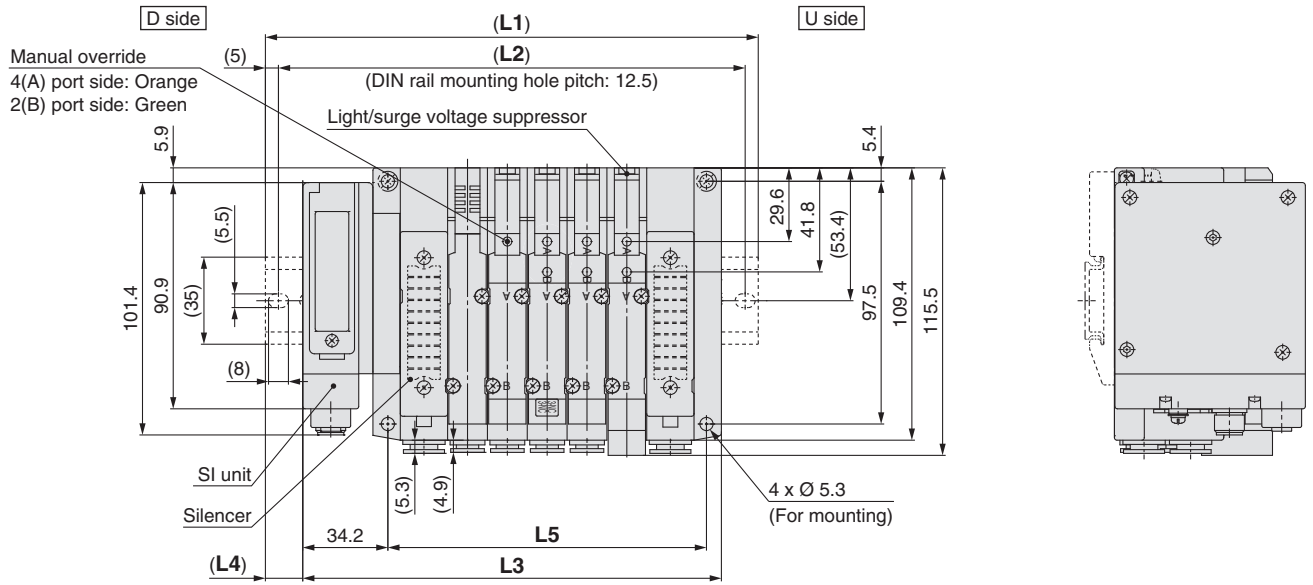
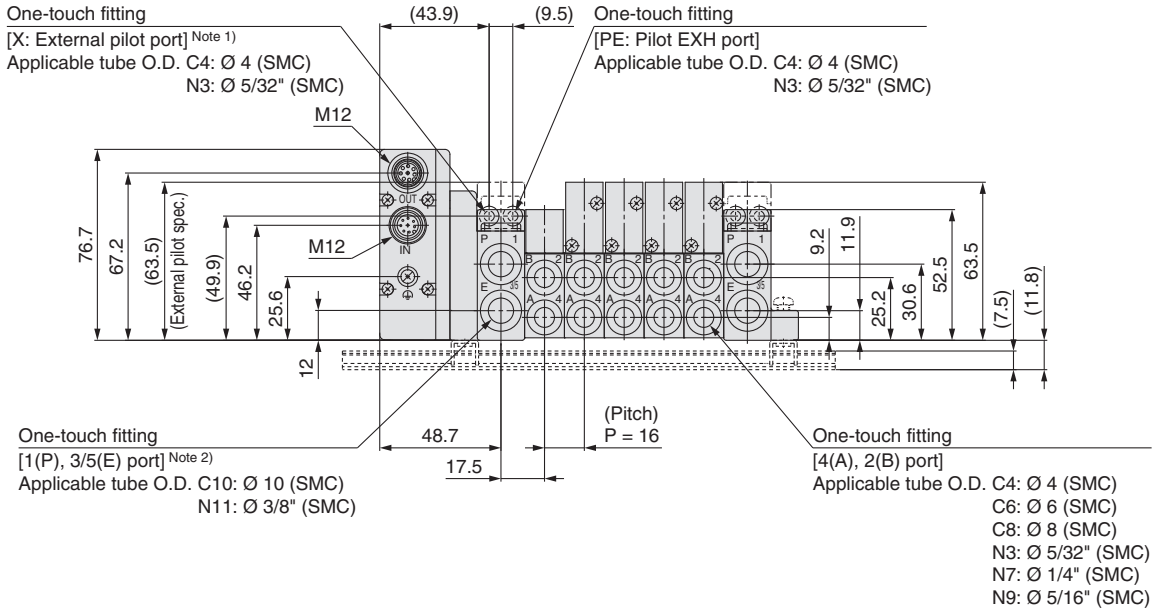
n: Stations

L \ n	2	3	4	5	6	7	8	9	10	11	12	13	14	15	16	17	18	19	20
L1	135.5	148	148	160.5	173	185.5	198	210.5	210.5	223	235.5	248	260.5	273	273	285.5	298	310.5	323
L2	125	137.5	137.5	150	162.5	175	187.5	200	200	212.5	225	237.5	250	262.5	262.5	275	287.5	300	312.5
L3	102.2	112.7	123.2	133.7	144.2	154.7	165.2	175.7	186.2	196.7	207.2	217.7	228.2	238.7	249.2	259.7	270.2	280.7	291.2
L4	16.5	17.5	12.5	13.5	14.5	15.5	16.5	17.5	12	13	14	15	16	17	12	13	14	15	16
L5	63	73.5	84	94.5	105	115.5	126	136.5	147	157.5	168	178.5	189	199.5	210	220.5	231	241.5	252

Dimensions: Series SV2000 for EX500 Gateway Decentralised System 2 (128 Points)

● **Tie-rod base manifold**

(Station 1)------(Station n)



Note 1) External pilot port positions and silencer discharge port positions are the same as P, E port outlet positions.
Note 2) When P, E port outlets are indicated on the U side or D side, the P, E ports on the opposite side are plugged.

L: DIN Rail Overall Length

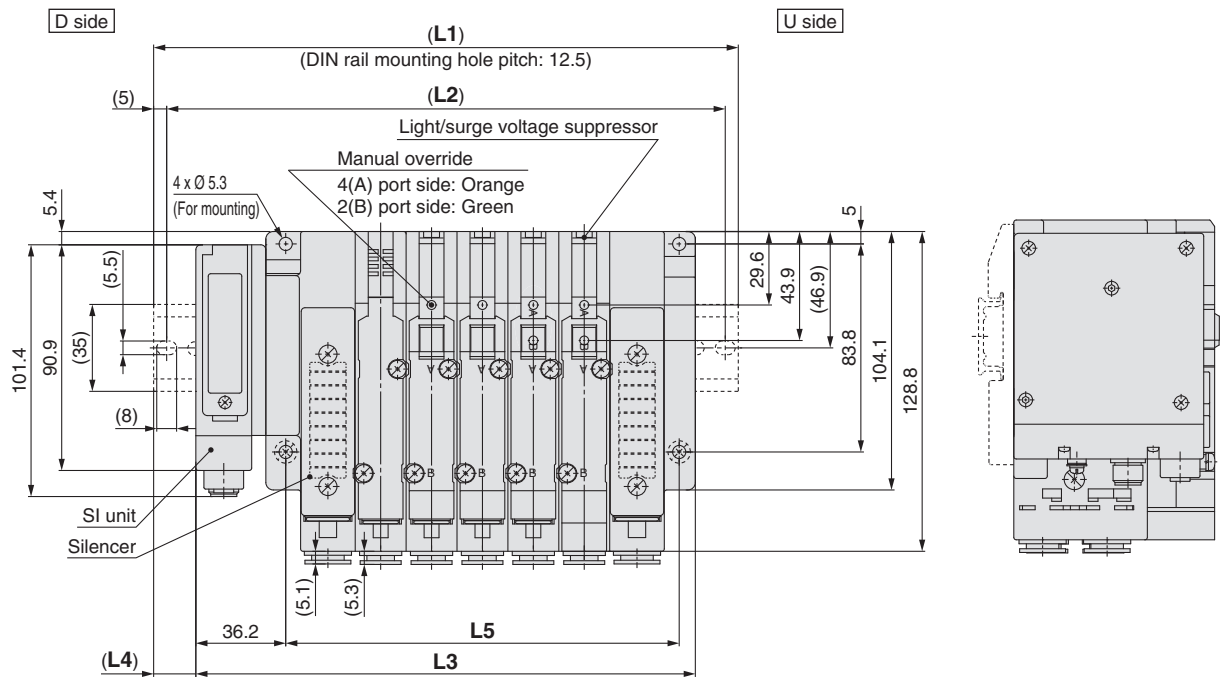
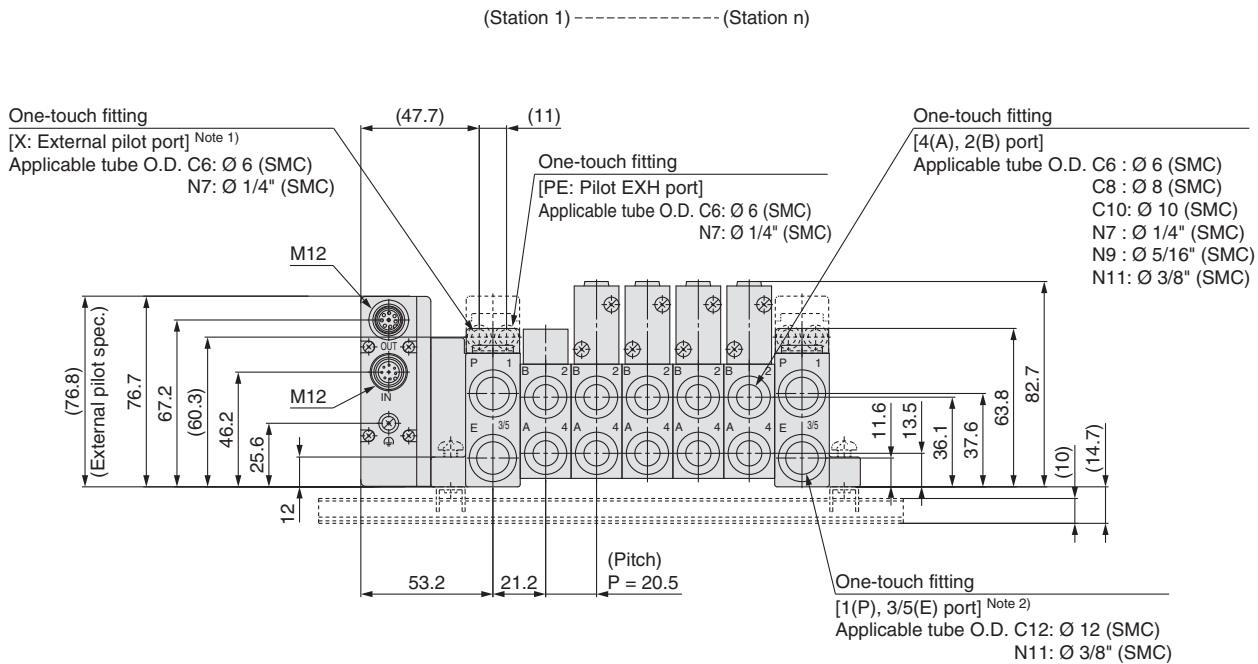
n: Stations

L \ n	2	3	4	5	6	7	8	9	10	11	12	13	14	15	16	17	18	19	20
L1	148	160.5	185.5	198	210.5	235.5	248	260.5	273	298	310.5	323	335.5	360.5	373	385.5	410.5	423	435.5
L2	137.5	150	175	187.5	200	225	237.5	250	262.5	287.5	300	312.5	325	350	362.5	375	400	412.5	425
L3	120.2	136.2	152.2	168.2	184.2	200.2	216.2	232.2	248.2	264.2	280.2	296.2	312.2	328.2	344.2	360.2	376.2	392.2	408.2
L4	14	12	16.5	15	13	17.5	16	14	12.5	17	15	13.5	11.5	16	14.5	12.5	17	15.5	13.5
L5	80	96	112	128	144	160	176	192	208	224	240	256	272	288	304	320	336	352	368

Series SV

Dimensions: Series SV3000 for EX500 Gateway Decentralised System 2 (128 points)

● Tie-rod base manifold



Note 1) External pilot port positions and silencer discharge port positions are the same as P, E port outlet positions.
Note 2) When P, E port outlets are indicated on the U side or D side, the P, E ports on the opposite side are plugged.

L: DIN Rail Overall Length

n: Stations

L \ n	2	3	4	5	6	7	8	9	10	11	12	13	14	15	16	17	18	19	20
L1	173	185.5	210.5	235.5	248	273	298	310.5	335.5	348	373	398	410.5	435.5	460.5	473	498	523	535.5
L2	162.5	175	200	225	237.5	262.5	287.5	300	325	337.5	362.5	387.5	400	425	450	462.5	487.5	512.5	525
L3	139.7	160.2	180.7	201.2	221.7	242.2	262.7	283.2	303.7	324.2	344.7	365.2	385.7	406.2	426.7	447.2	467.7	488.2	508.7
L4	16.5	12.5	15	17	13	15.5	17.5	13.5	16	12	14	16.5	12.5	14.5	17	13	15	17.5	13.5
L5	97	117.5	138	158.5	179	199.5	220	240.5	261	281.5	302	322.5	343	363.5	384	404.5	425	445.5	466

EX500 (Gateway Decentralised System (64 Points)) Serial Transmission System

Series SV



How to Order Manifold

Series

1	SV1000
2	SV2000
3	SV3000
4	SV4000

Tie-rod base
SS5V 1-W 10S A2W D-05 U

Cassette base
SS5V 1-W 16S A2W D-05 U

Series

1	SV1000
2	SV2000

Enclosure IP67 specifications

SI unit (Number of outputs, Output polarity, Max. number of valve stations, Protocol)

0	Without SI unit
A2W	16 outputs, Positive common, 2 to 8 stations (16 stations) ^{Note)} , DeviceNet™/PROFIBUS DP/EtherNet/IP™

Note) (: Maximum number of stations for mixed single and double wiring.

Valve stations

Symbol	Stations	Note
02	2 stations	Double wiring specifications (1)
⋮	⋮	
08	8 stations	Specified layout (up to 16 solenoids possible.) (2)
02	2 stations	
⋮	⋮	
16	16 stations	

Note 1) Double wiring specifications: Single, double, 3 position and 4 position solenoid valves can be used on all manifold stations. Use of a single solenoid will result in an unused control signal. If this is not desired, order with a specified layout.

Note 2) Specified layout: Indicate wiring specifications on the manifold specification sheet. (Note that double, 3 position and 4 position valves cannot be used where single solenoid wiring has been specified.)

SI unit part no.

Symbol	Protocol type	SI unit
A2W	DeviceNet	EX500-S001
	PROFIBUS DP	
	EtherNet/IP	

Mounting

—	Direct mounting
D	DIN rail mounting (With DIN rail)
D0*	DIN rail mounting (Without DIN rail)
D3	For 3 stations
⋮	⋮
D16	For 16 stations

** In the case of D0, only DIN rail fittings are attached.*

DIN rail length specified

—	Standard length
3	For 3 stations
⋮	⋮
16	For 16 stations

P, E port location

U	U side (2 to 10 stations)
D	D side (2 to 10 stations)
B	Both sides (2 to 16 stations)

SUP/EXH block assembly specifications

—	Internal pilot
S*	Internal pilot/Built-in silencer
R	External pilot
RS*	External pilot/Built-in silencer

Note) When the built-in silencer type is used, keep the exhaust port from coming in direct contact with water or other liquids.

A, B port size (metric)

Symbol	A, B port	P, E port	Applicable series
C3	One-touch fitting for Ø 3.2	One-touch fitting for Ø 8	SV1000
C4	One-touch fitting for Ø 4		
C6	One-touch fitting for Ø 6		
C4	One-touch fitting for Ø 4	One-touch fitting for Ø 10	SV2000
C6	One-touch fitting for Ø 6		
C8	One-touch fitting for Ø 8		
C6	One-touch fitting for Ø 6	One-touch fitting for Ø 12	SV3000
C8	One-touch fitting for Ø 8		
C10	One-touch fitting for Ø 10		
C8	One-touch fitting for Ø 8	One-touch fitting for Ø 12	SV4000
C10	One-touch fitting for Ø 10		
C12	One-touch fitting for Ø 12		
02	Rc 1/4	Rc 3/8	
03	Rc 3/8		
02F	G 1/4	G 3/8	
03F	G 3/8		
M	A, B ports mixed		

A, B port size (inch)

Symbol	A, B port	P, E port	Applicable series
N1	One-touch fitting for Ø 1/8"	One-touch fitting for Ø 5/16"	SV1000
N3	One-touch fitting for Ø 5/32"		
N7	One-touch fitting for Ø 1/4"		
N3	One-touch fitting for Ø 5/32"	One-touch fitting for Ø 3/8"	SV2000
N7	One-touch fitting for Ø 1/4"		
N9	One-touch fitting for Ø 5/16"		
N7	One-touch fitting for Ø 1/4"	One-touch fitting for Ø 3/8"	SV3000
N9	One-touch fitting for Ø 5/16"		
N11	One-touch fitting for Ø 3/8"		
N9	One-touch fitting for Ø 5/16"	One-touch fitting for Ø 3/8"	SV4000
N11	One-touch fitting for Ø 3/8"		
02N	NPT 1/4		
03N	NPT 3/8	NPT 3/8	
02T	NPTF 1/4		
03T	NPTF 3/8	NPTF 3/8	
M	A, B ports mixed		

* A separate GW unit and communication cable are required.

For details about the EX500 series, refer to the **WEB catalogue** and the Operation Manual. Please download the Operation Manual via SMC website, <http://www.smc.eu>

* In the case of mixed specifications (M), indicate separately on the manifold specification sheet.
* Port sizes of X, PE port for external pilot specifications (R, RS) are Ø 4 (metric), Ø 5/32" (inch) for SV1000/2000 and Ø 6 (metric) and Ø 1/4" (inch) for SV3000/4000.

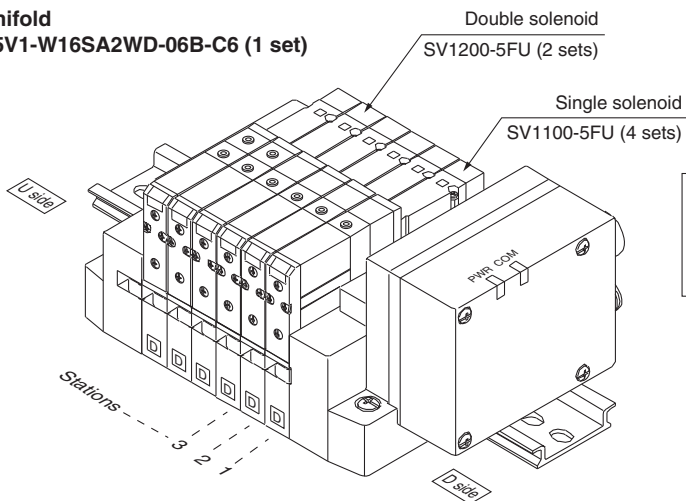
15

How to Order Manifold Assembly

Ordering example (SV1000)

Manifold

SS5V1-W16SA2WD-06B-C6 (1 set)



SS5V1-W16SA2WD-06B-C6.....1 set (Manifold part no.)
* SV1100-5FU.....4 sets (Single solenoid part no.)
* SV1200-5FU.....2 sets (Double solenoid part no.)

How to Order Valve

SV 1 1 0 0 - 5 F - - - -

Series

1	SV1000
2	SV2000
3	SV3000
4	SV4000

Type of actuation

1	2 position single
2	2 position double
3	3 position closed centre
4	3 position exhaust centre
5	3 position pressure centre
A	4 position dual 3 port valve: N.C./N.C.
B	4 position dual 3 port valve: N.O./N.O.
C	4 position dual 3 port valve: N.C./N.O.

* 4 position dual 3 port valves are applicable to Series SV1000 and SV2000 only.

Pilot type

-	Internal pilot
R	External pilot

* External pilot specifications is not available for 4 position dual 3 port valves.

Back pressure check valve

-	None
K	Built-in

* Built-in back pressure check valve type is applicable to series SV1000 only.

* Back pressure check valve is not available for 3 position valve.

Rated voltage

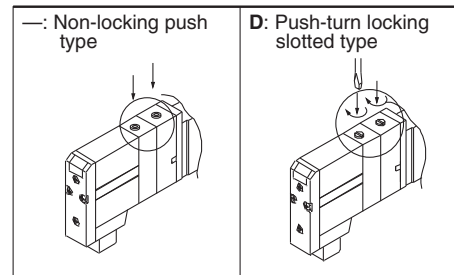
5	24 V DC
---	---------

Note) Available with manifold block for station additions. Refer to pages 104 and 110.

Made to Order

-	-
X90	Main valve fluororubber (Refer to page 125.)

Manual override



Light/Surge voltage suppressor

U	With light/surge voltage suppressor
R	With surge voltage suppressor

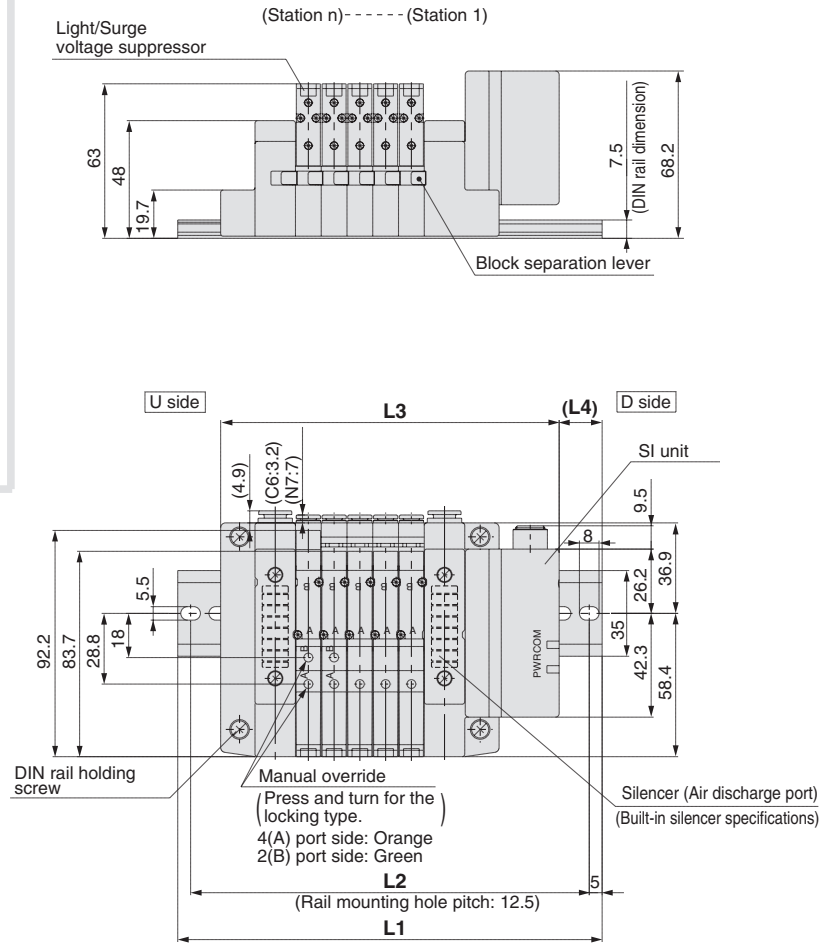
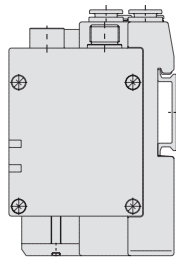
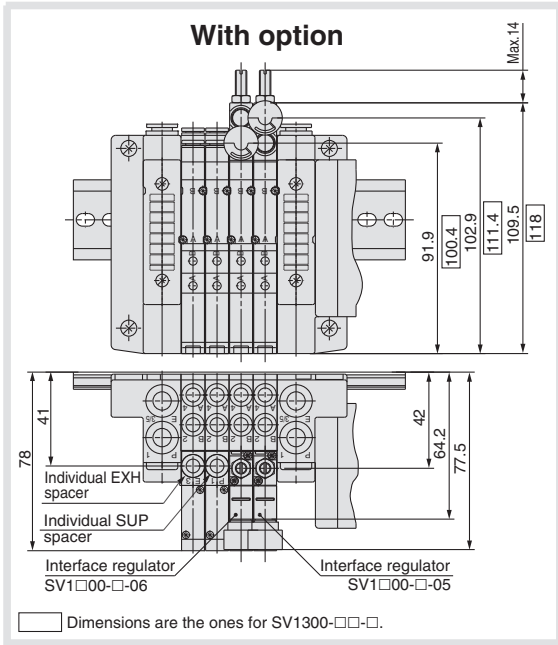
Note) Refer to Specific Product Precautions 2 on page 127.

Series SV

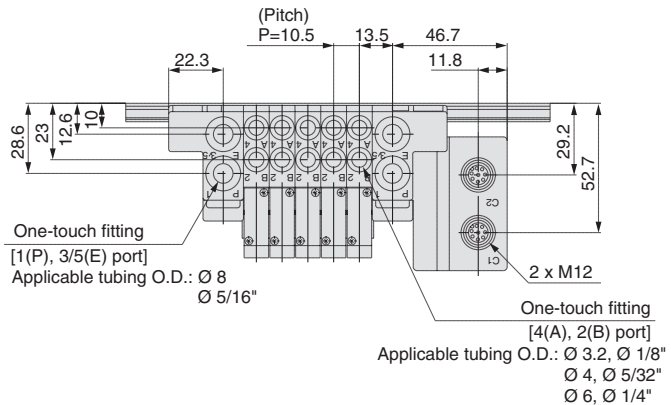
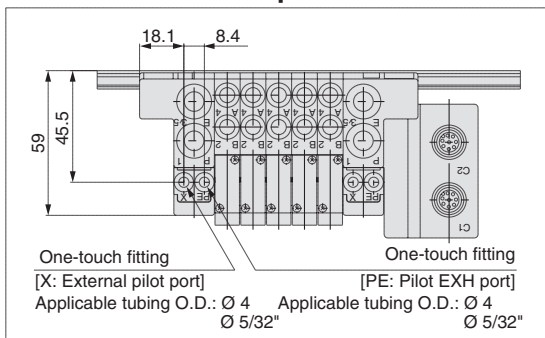
Dimensions: Series SV1000 for EX500 Gateway Decentralised System (64 points)

● Cassette base manifold: SS5V1-W16SA2WD- $\text{Stations}_{\text{U}}^{\text{B}}$ (S, R, RS)- C3, N1 C4, N3 C6, N7

- When P, E port outlets are indicated on the U side or D side, the P, E ports on the opposite side are plugged.
- External pilot port positions and silencer discharge port positions are the same as P, E port outlet positions.



With External Pilot Specifications



L Dimension

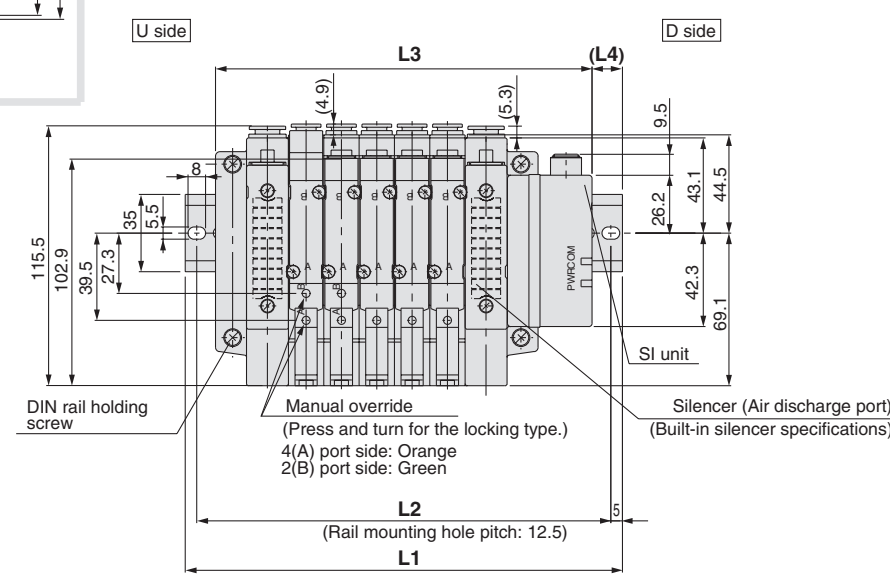
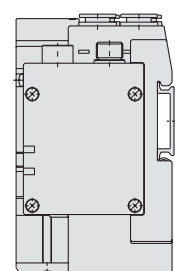
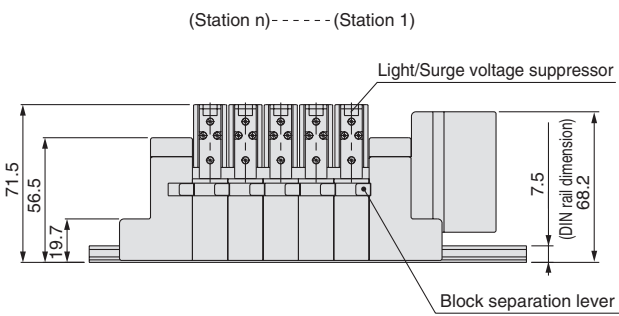
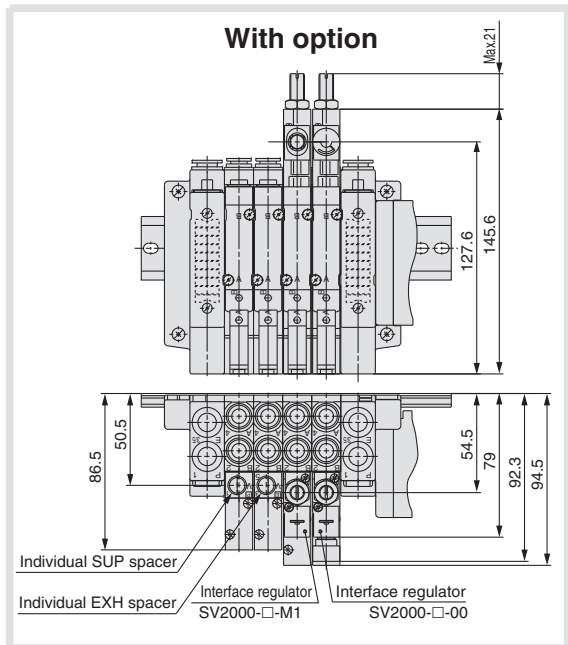
n: Stations

L \ n	2	3	4	5	6	7	8	9	10	11	12	13	14	15	16
L1	135.5	148	160.5	173	173	185.5	198	210.5	223	235.5	235.5	248	260.5	273	285.5
L2	125	137.5	150	162.5	162.5	175	187.5	200	212.5	225	225	237.5	250	262.5	275
L3	106.5	117	127.5	138	148.5	159	169.5	180	190.5	201	211.5	222	232.5	243	253.5
L4	14.5	15.5	16.5	17.5	12.5	13.5	14.5	15.5	16.5	17.5	12	13	14	15	16

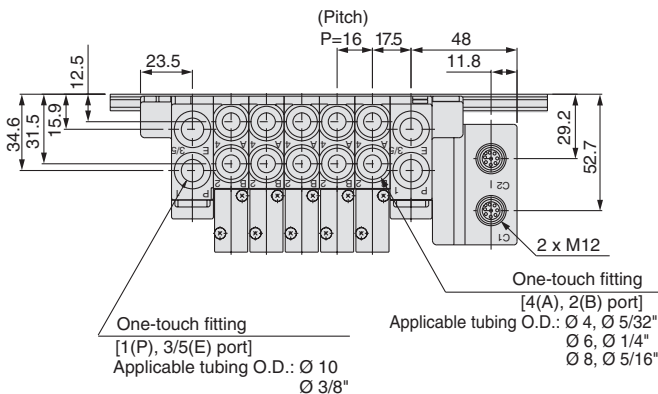
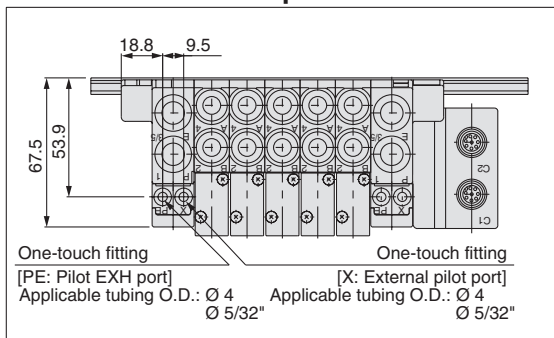
Dimensions: Series SV2000 for EX500 Gateway Decentralised System (64 points)

● **Cassette base manifold: SS5V2-W16SA2WD-^UStations_B(S, R, RS)-^{C4, N3}_{C6, N7}^{C8, N9}**

- When P, E port outlets are indicated on the U side or D side, the P, E ports on the opposite side are plugged.
- External pilot port positions and silencer discharge port positions are the same as P, E port outlet positions.



With External Pilot Specifications



L Dimension

L \ n	2	3	4	5	6	7	8	9	10	11	12	13	14	15	16
L1	148	173	185.5	198	210.5	235.5	248	260.5	285.5	298	310.5	323	348	360.5	373
L2	137.5	162.5	175	187.5	200	225	237.5	250	275	287.5	300	312.5	337.5	350	362.5
L3	122.5	138.5	154.5	170.5	186.5	202.5	218.5	234.5	250.5	266.5	282.5	298.5	314.5	330.5	346.5
L4	13	17.5	15.5	14	12	16.5	15	13	17.5	16	14	12.5	17	15	13.5

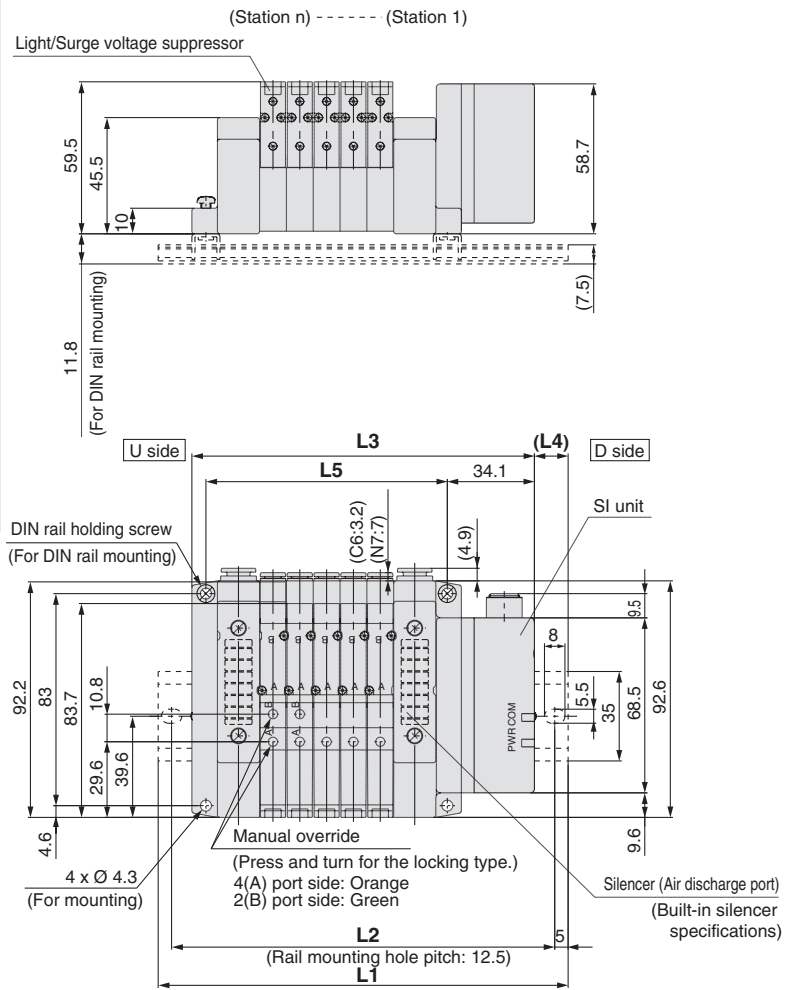
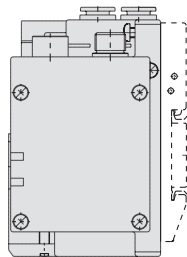
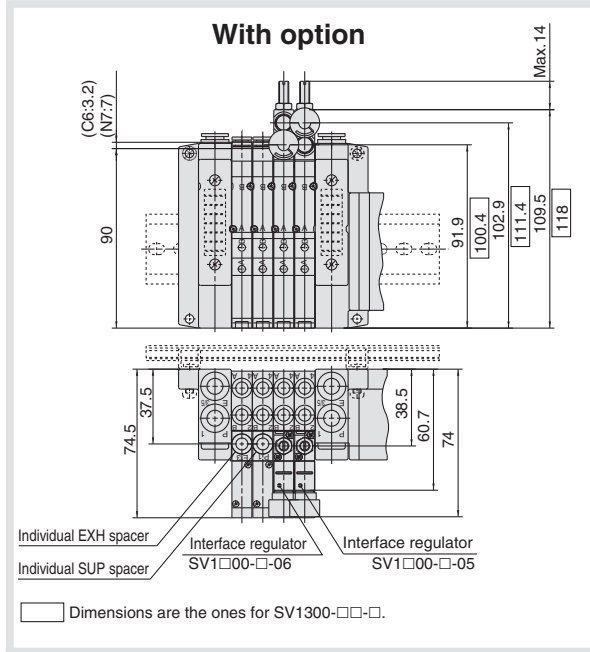
n: Stations

Series SV

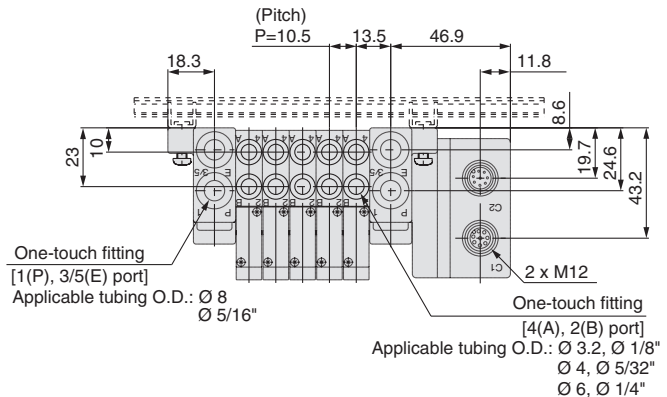
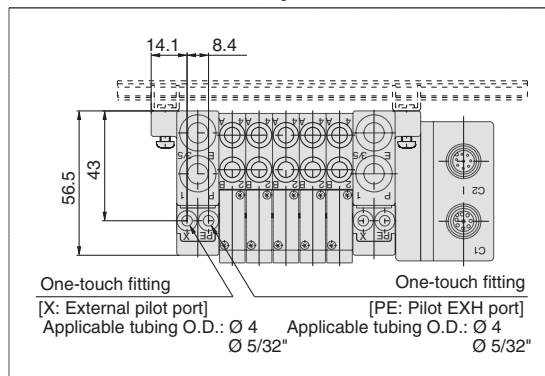
Dimensions: Series SV1000 for EX500 Gateway Decentralised System (64 points)

● Tie-rod base manifold: SS5V1-W10SA2WD- $\begin{matrix} \text{U} \\ \text{D} \end{matrix}$ Stations $\begin{matrix} \text{C3, N1} \\ \text{C4, N3} \\ \text{C6, N7} \end{matrix}$ (S, R, RS)-(-D)

- When P, E port outlets are indicated on the U side or D side, the P, E ports on the opposite side are plugged.
- External pilot port positions and silencer discharge port positions are the same as P, E port outlet positions.



With External Pilot Specifications



L Dimension

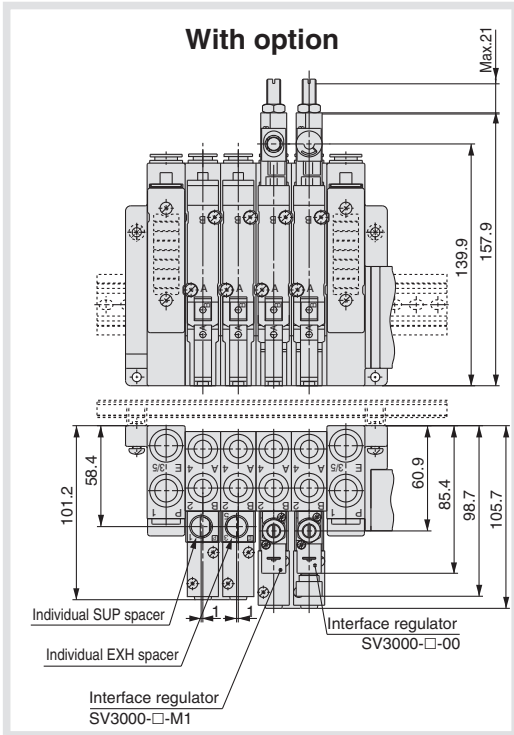
n: Stations

$\begin{matrix} L \\ n \end{matrix}$	2	3	4	5	6	7	8	9	10	11	12	13	14	15	16
L1	135.5	148	148	160.5	173	185.5	198	210.5	210.5	223	235.5	248	260.5	273	273
L2	125	137.5	137.5	150	162.5	175	187.5	200	200	212.5	225	237.5	250	262.5	262.5
L3	102.6	113.1	123.6	134.1	144.6	155.1	165.6	176.1	186.6	197.1	207.6	218.1	228.6	239.1	249.6
L4	16.5	17.5	12	13	14	15	16	17	12	13	14	15	16	17	11.5
L5	63	73.5	84	94.5	105	115.5	126	136.5	147	157.5	168	178.5	189	199.5	210

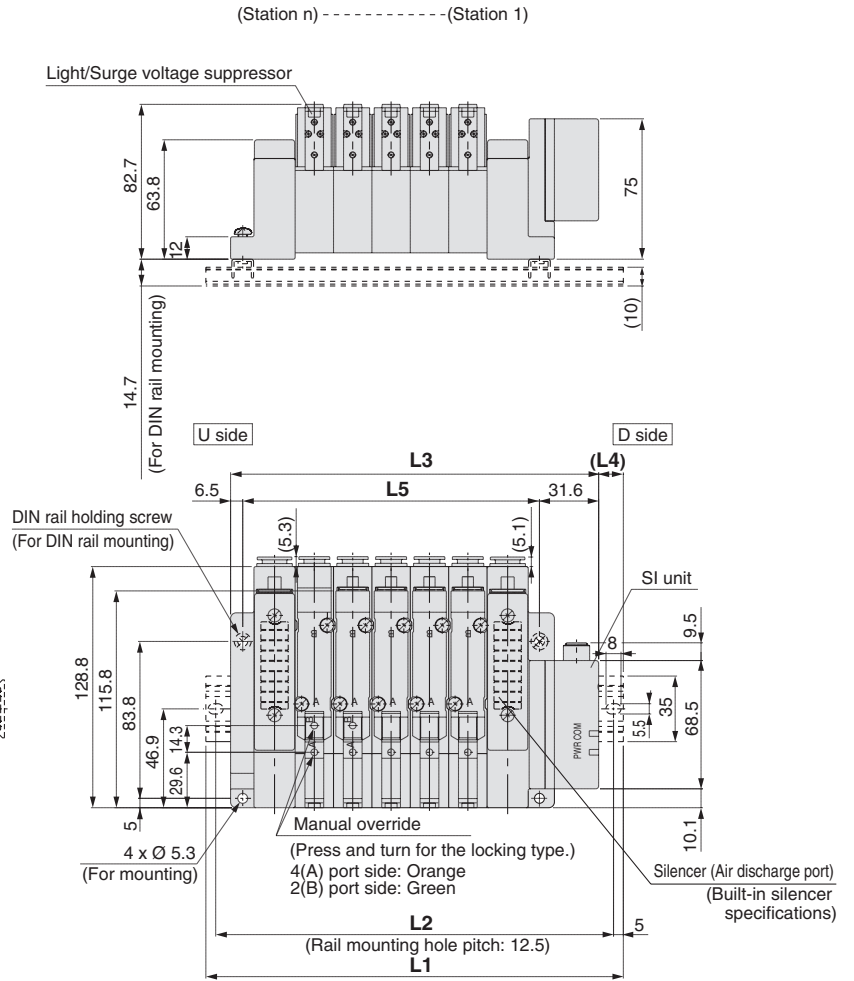
Series SV

Dimensions: Series SV3000 for EX500 Gateway Decentralised System (64 Points)

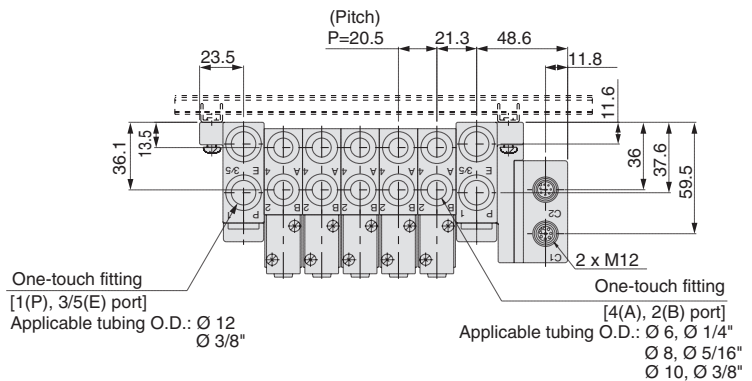
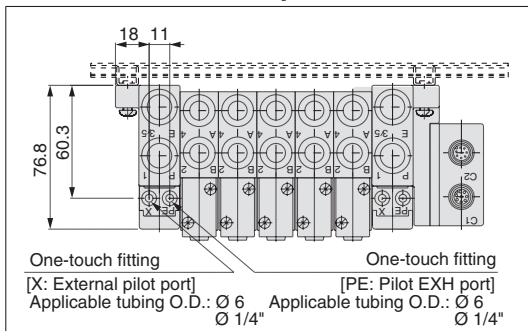
● Tie-rod base manifold: SS5V3-W10SA2WD- Stations $\frac{U}{D}$ (S, R, RS)- $\frac{C6, N7}{C8, N9}$ $\frac{C10, N11}{(-D)}$



- When P, E port outlets are indicated on the U side or D side, the P, E ports on the opposite side are plugged.
- External pilot port positions and silencer discharge port positions are the same as P, E port outlet positions.



With External Pilot Specifications



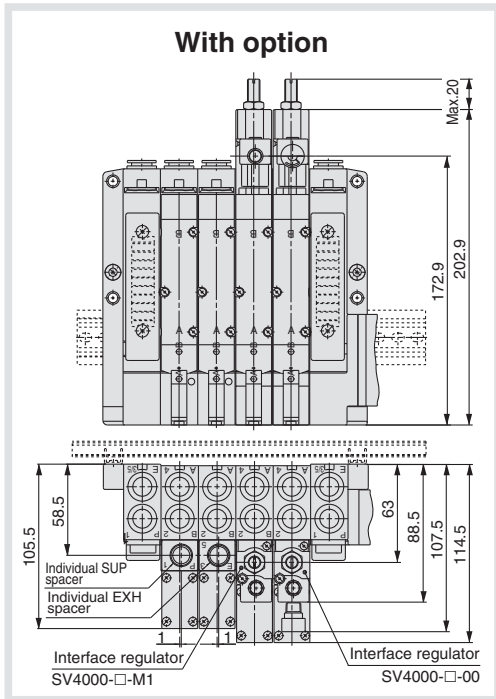
L Dimension

n: Stations

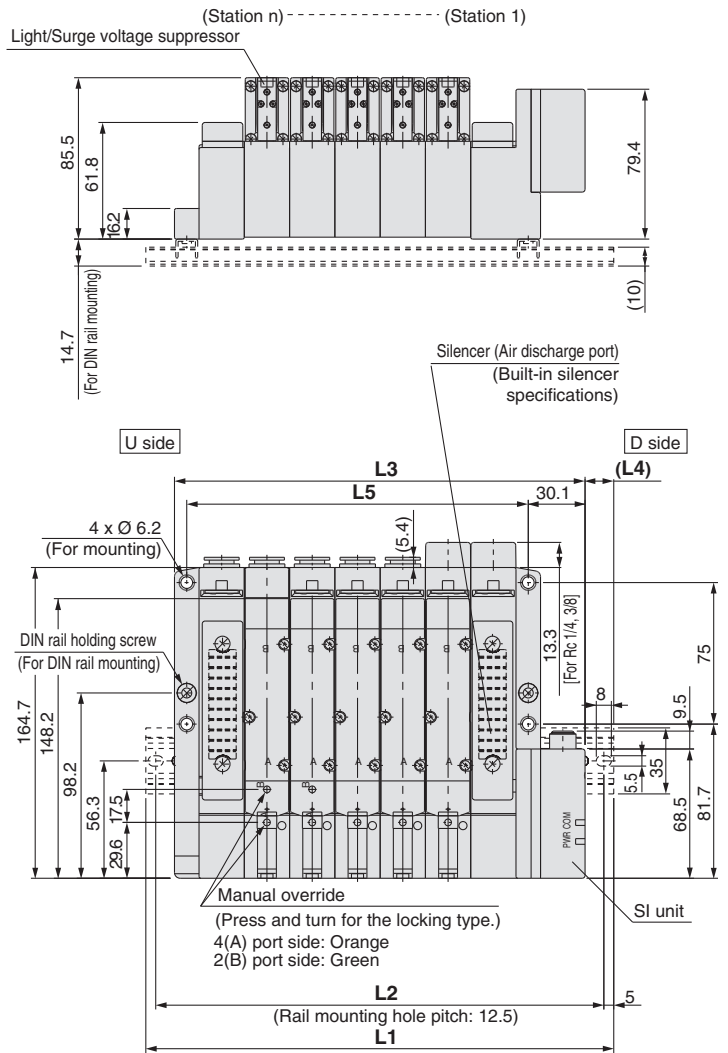
L \ n	2	3	4	5	6	7	8	9	10	11	12	13	14	15	16
L1	160.5	185.5	210.5	223	248	273	285.5	310.5	323	348	373	385.5	410.5	435.5	448
L2	150	175	200	212.5	237.5	262.5	275	300	312.5	337.5	362.5	375	400	425	437.5
L3	135.1	155.6	176.1	196.6	217.1	237.6	258.1	278.6	299.1	319.6	340.1	360.6	381.1	401.6	422.1
L4	12.5	15	17	13	15.5	17.5	13.5	16	12	14	16.5	12.5	14.5	17	13
L5	97	117.5	138	158.5	179	199.5	220	240.5	261	281.5	302	322.5	343	363.5	384

Dimensions: Series SV4000 for EX500 Gateway Decentralised System (64 points)

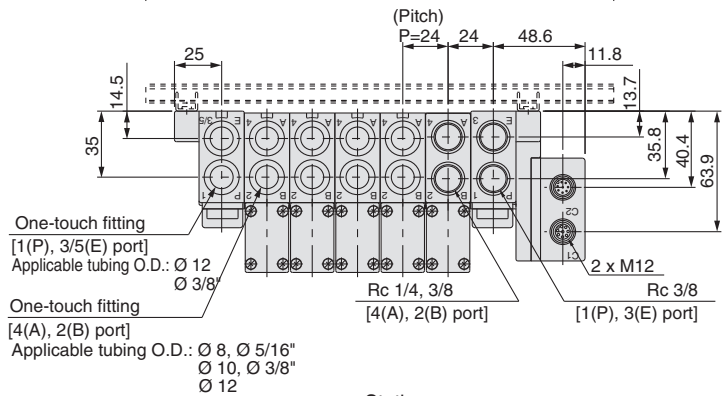
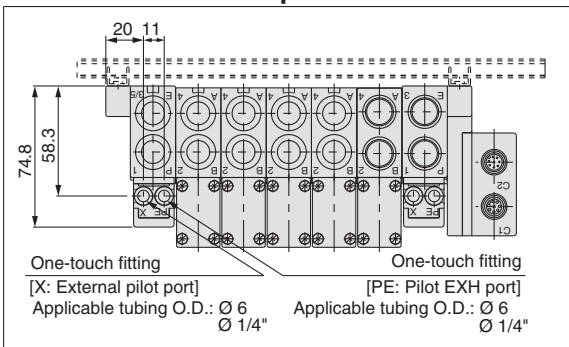
● Tie-rod base manifold: SS5V4-W10SA2WD-**Stations** $\frac{U}{D}$ (S, R, RS)- $\frac{02, C8, N9}{03, C10, N11}$ (-D)



- When P, E port outlets are indicated on the U side or D side, the P, E ports on the opposite side are plugged.
- External pilot port positions and silencer discharge port positions are the same as P, E port outlet positions.



With External Pilot Specifications



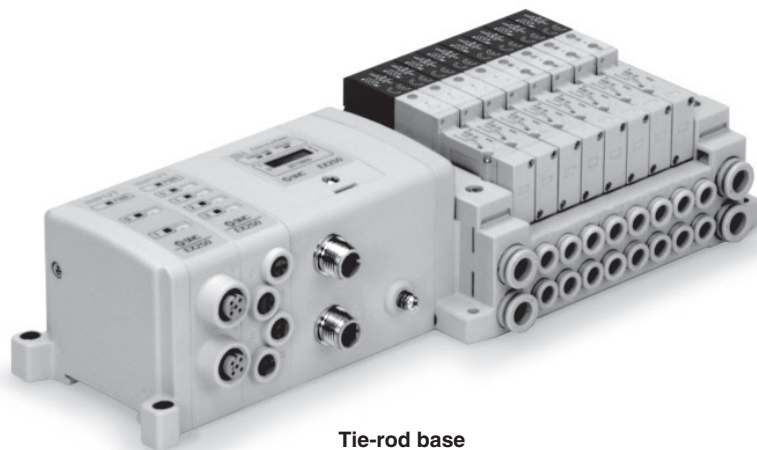
L Dimension

	n: Stations															
$\frac{L}{n}$	2	3	4	5	6	7	8	9	10	11	12	13	14	15	16	
L1	173	198	223	248	273	298	323	348	373	385.5	410.5	435.5	460.5	485.5	510.5	
L2	162.5	187.5	212.5	237.5	262.5	287.5	312.5	337.5	362.5	375	400	425	450	475	500	
L3	145.6	169.6	193.6	217.6	241.6	265.6	289.6	313.6	337.6	361.6	385.6	409.6	433.6	457.6	481.6	
L4	13.5	14	14.5	15	15.5	16	16.5	17	17.5	12	12.5	13	13.5	14	14.5	
L5	109	133	157	181	205	229	253	277	301	325	349	373	397	421	445	

Integrated-type (For I/O) Serial Transmission System

Series *EX250*

IP67 (partly IP40) compliant



Tie-rod base

Applicable series	Tie-rod base manifold SV1000/SV2000/SV3000
-------------------	---

- Number of inputs/outputs points: 32 points each

EX250 Integrated-type (For I/O) Serial Transmission System Series SV



How to Order Manifold

● Tie-rod base

SS5V **1** - W10S1 **QW** [] [] [] D - **05** **U** [] - [] - []

Series

1	SV1000
2	SV2000
3	SV3000

Enclosure
IP67

SI unit

Symbol	Protocol type
0	Without SI unit
QW	DeviceNet
NW	PROFIBUS DP
TAW	AS-Interface (8in/8out 31Slave Mode 2 power supply systems)
TBW	AS-Interface (4in/4out 31Slave Mode 2 power supply systems)
TCW ⁽¹⁾	AS-Interface (8in/8out 31Slave Mode 1 power supply systems)
TDW ⁽¹⁾	AS-Interface (4in/4out 31Slave Mode 1 power supply systems)
YW	CANopen
ZEN	EtherNet/IP

- Input blocks cannot be mounted without SI unit.
- When the DIN rail is included without an SI unit, the DIN rail length will accommodate an SI unit and one input block.
- Note 1) There is a limit to the supply current to the input block and valve from SI units that have AS-Interface-compliant 1 power supply systems.

Input block stations

—	None
1	1 station
⋮	⋮
8	8 stations

Note) Without SI unit, the symbol is —. When the SI unit is AS Interface compliant, the maximum number of stations is limited.

Input block type

—	Without input block	
1	M12: 2 inputs	EX250-IE1
2	M12: 4 inputs	EX250-IE2
3	M8: 4 inputs	EX250-IE3

Note) Without SI unit, the symbol is —.

Input block specifications

—	PNP input (+COM) or without input block
N	NPN input (–COM)

Mounting

—	Direct mounting
D	DIN rail mounting (With DIN rail)
D0*	DIN rail mounting (Without DIN rail)
D3	For 3 stations When a longer DIN rail is desired than the specified stations. (Specify a longer rail than the standard length.)
⋮	⋮
D20	For 20 stations

* In the case of D0, only DIN rail fittings are attached.

SUP/EXH block assembly specifications

—	Internal pilot
S*	Internal pilot/Built-in silencer
R	External pilot
RS*	External pilot/Built-in silencer

Note) When the built-in silencer type is used, keep the exhaust port from coming in direct contact with water or other liquids.

P, E port location

U	U side (2 to 10 stations)
D	D side (2 to 10 stations)
B	Both sides (2 to 20 stations)

Valve stations

Symbol	Stations	Note
02	2 stations	Double wiring specifications ⁽¹⁾
⋮	⋮	
16	16 stations	
02	2 stations	Specified layout ⁽²⁾ (up to 32 solenoids possible.)
⋮	⋮	
20	20 stations	

Note 1) Double wiring specifications: Single, double, 3 position and 4 position solenoid valves can be used on all manifold stations. Use of a single solenoid will result in an unused control signal. If this is not desired, order with a specified layout.

Note 2) Specified layout: Indicate wiring specifications on the manifold specification sheet. (Note that double, 3 and 4 position valves cannot be used where single solenoid wiring has been specified.)

When the SI unit is AS-Interface compliant, the maximum number of solenoids is as shown below, so please be careful of the number of stations.

- 8in/8out: Max. 8 solenoids
- 4in/4out: Max. 4 solenoids

SI Unit Part No.

Symbol	Protocol type	Solenoid part no.
QW	DeviceNet	EX250-SDN1
NW	PROFIBUS DP	EX250-SPR1
TAW	AS-Interface (8in/8out 31Slave Mode 2 power supply systems)	EX250-SAS3
TBW	AS-Interface (4in/4out 31Slave Mode 2 power supply systems)	EX250-SAS5
TCW	AS-Interface (8in/8out 31Slave Mode 1 power supply systems)	EX250-SAS7
TDW	AS-Interface (4in/4out 31Slave Mode 1 power supply systems)	EX250-SAS9
YW	CANopen	EX250-SCA1A
ZEN	EtherNet/IP	EX250-SEN1

A, B port size (metric)

Symbol	A, B port	P, E port	Applicable series
C3	One-touch fitting for Ø 3.2	One-touch fitting for Ø 8	SV1000
C4	One-touch fitting for Ø 4		
C6	One-touch fitting for Ø 6		
C4	One-touch fitting for Ø 4	One-touch fitting for Ø 10	SV2000
C6	One-touch fitting for Ø 6		
C8	One-touch fitting for Ø 8		
C6	One-touch fitting for Ø 6	One-touch fitting for Ø 12	SV3000
C8	One-touch fitting for Ø 8		
C10	One-touch fitting for Ø 10		
M	A, B ports mixed		

A, B port size (inch)

Symbol	A, B port	P, E port	Applicable series
N1	One-touch fitting for Ø 1/8"	One-touch fitting for Ø 5/16"	SV1000
N3	One-touch fitting for Ø 5/32"		
N7	One-touch fitting for Ø 1/4"		
N3	One-touch fitting for Ø 5/32"	One-touch fitting for Ø 3/8"	SV2000
N7	One-touch fitting for Ø 1/4"		
N9	One-touch fitting for Ø 5/16"		
N7	One-touch fitting for Ø 1/4"	One-touch fitting for Ø 3/8"	SV3000
N9	One-touch fitting for Ø 5/16"		
N11	One-touch fitting for Ø 3/8"		
M	A, B ports mixed		

* In the case of mixed specifications (M), indicate separately on the manifold specification sheet.

* Port sizes of X, PE port for external pilot specifications (R, RS) are Ø 4 (metric), Ø 5/32" (inch) for SV1000/2000 and Ø 6 (metric) and Ø 1/4" (inch) for SV3000.

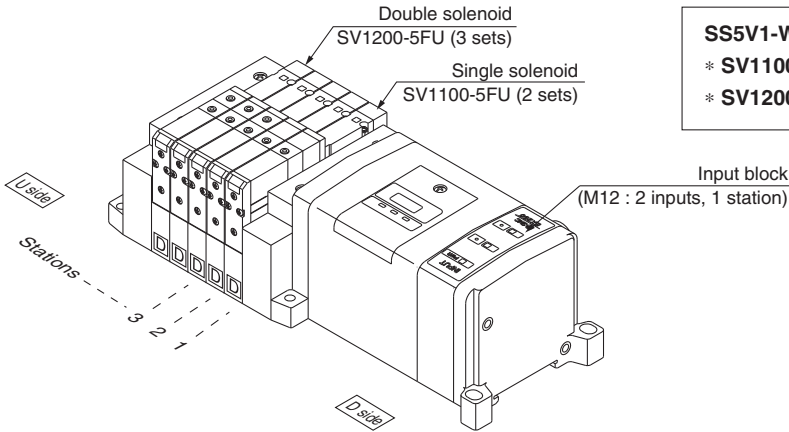
Refer to the Operation Manual for the details of EX250 Integrated-type Serial Transmission System. Please download the Operation Manual via our website, <http://www.smc.eu>.

How to Order Manifold Assembly

Ordering example (SV1000)

Manifold

SS5V1-W10S1QW11ND-05B-C6 (1 set)



SS5V1-W10S1QW11ND-05B-C6....1 set (manifold part no.)
 * SV1100-5FU.....2 sets (Single solenoid part no.)
 * SV1200-5FU.....3 sets (Double solenoid part no.)

How to Order Valve

SV 1 1 00 - 5 F - -

Series ●

1	SV1000
2	SV2000
3	SV3000

Type of actuation ●

1	2 position single
2	2 position double
3	3 position closed centre
4	3 position exhaust centre
5	3 position pressure centre
A	4 position dual 3 port valve: N.C./N.C.
B	4 position dual 3 port valve: N.O./N.O.
C	4 position dual 3 port valve: N.C./N.O.

* 4 position dual 3 port valves are applicable to Series SV1000 and SV2000 only.

Pilot type ●

—	Internal pilot
R	External pilot

* External pilot specifications is not available for 4 position dual 3 port valves.

Back pressure check valve ●

—	None
K	Built-in

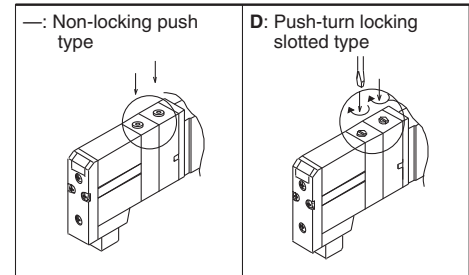
* Built-in back pressure check valve type is applicable to series SV1000 only.
 * Back pressure check valve is not available for 3 position valve.

Note) Available with manifold block for station additions. Refer to page 110.

Made to Order ●

—	—
X90	Main valve fluororubber (Refer to page 125.)

Manual override



Light/Surge voltage suppressor

U	With light/surge voltage suppressor
R	With surge voltage suppressor

Rated voltage

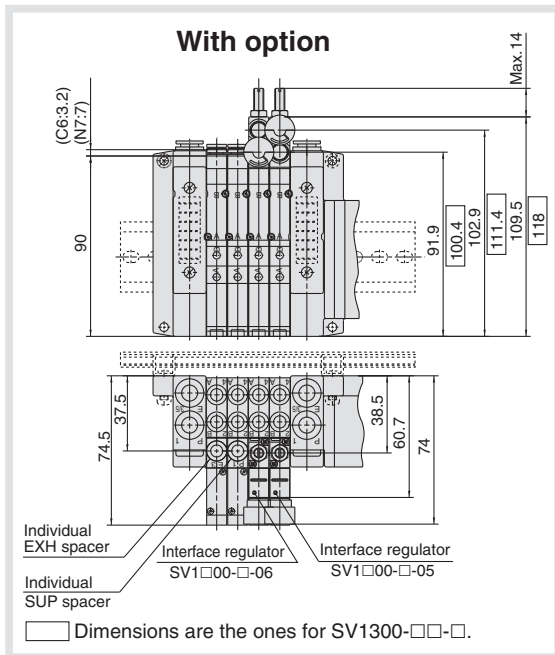
5	24 V DC
---	---------

Note) Refer to Specific Product Precautions 2 on page 127.

Series SV

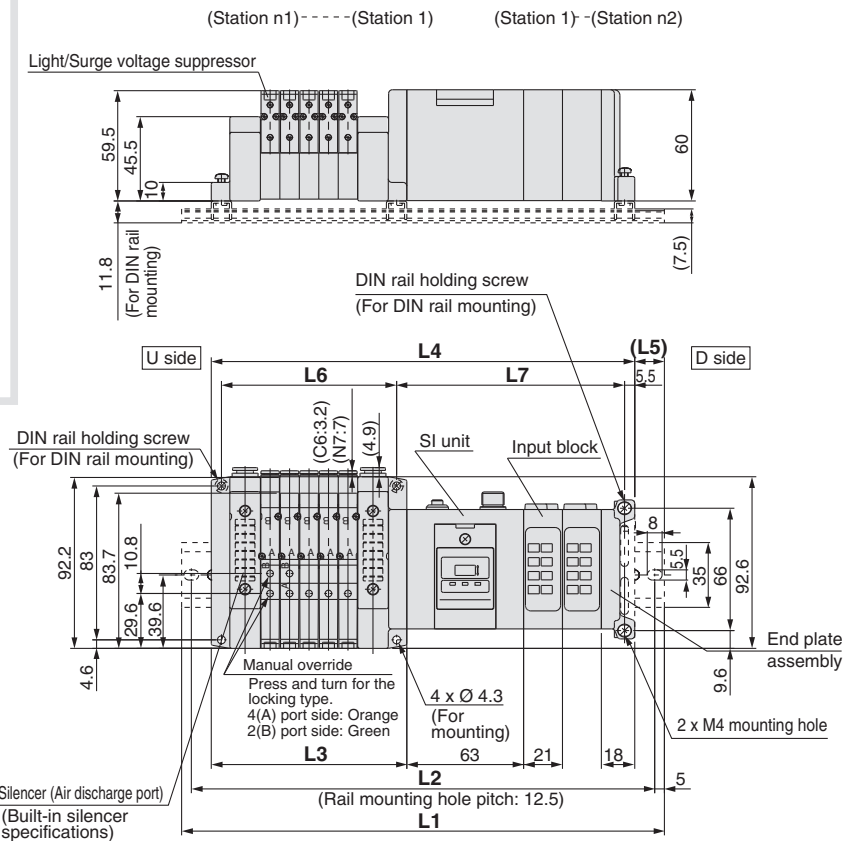
Dimensions: Series SV1000 for EX250 Integrated-type (For I/O) Serial Transmission System

- Tie-rod base manifold: SS5V1-W10S1□□□□D- Stations $\begin{matrix} U \\ D \\ B \end{matrix}$ (S, R, RS) $\begin{matrix} C3, N1 \\ C4, N3 \\ C6, N7 \end{matrix}$ (-D)



- When P, E port outlets are indicated on the U side or D side, the P, E ports on the opposite side are plugged.
- External pilot port positions and silencer discharge port positions are the same as P, E port outlet positions.

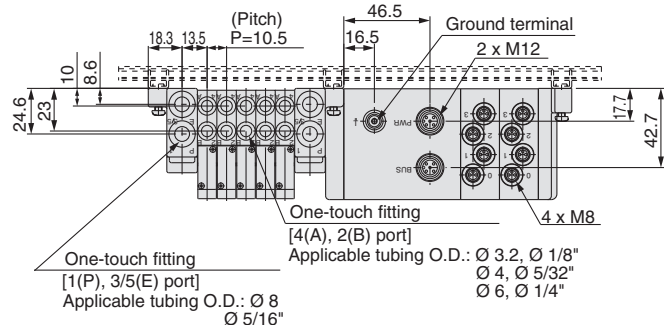
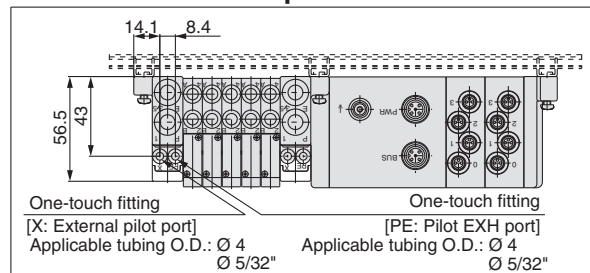
(With 2 input blocks)



n1 = Valve stations
n2 = Input block stations

$$\begin{aligned} L2 &= L1 - 10.5 \\ L3 &= 10.5 \times n1 + 53 \\ L4 &= L3 + 81 + 21 \times n2 \\ L5 &= (L1 - L4) / 2 \\ L6 &= 10.5 \times n1 + 42 \\ L7 &= 21 \times n2 + 81 \end{aligned}$$

With External Pilot Specifications



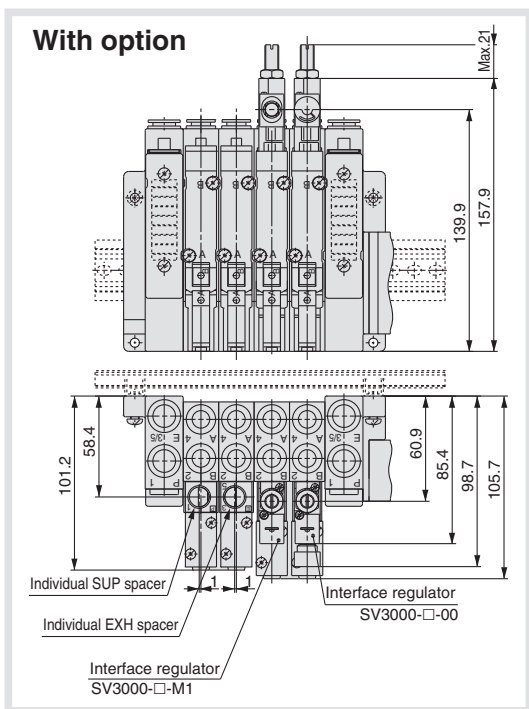
L1: DIN Rail Overall Length

Valve stations (n1) Input block Stations (n2)	2	3	4	5	6	7	8	9	10	11	12	13	14	15	16	17	18	19	20
0	185.5	198	210.5	210.5	223	235.5	248	260.5	273	273	285.5	298	310.5	323	335.5	348	348	360.5	373
1	210.5	210.5	223	235.5	248	260.5	273	273	285.5	298	310.5	323	335.5	348	348	360.5	373	385.5	398
2	223	235.5	248	260.5	273	273	285.5	298	310.5	323	335.5	348	348	360.5	373	385.5	398	410.5	410.5
3	248	260.5	273	273	285.5	298	310.5	323	335.5	348	348	360.5	373	385.5	398	410.5	410.5	423	435.5
4	273	273	285.5	298	310.5	323	335.5	348	348	360.5	373	385.5	398	410.5	410.5	423	435.5	448	460.5
5	285.5	298	310.5	323	335.5	348	348	360.5	373	385.5	398	410.5	410.5	423	435.5	448	460.5	473	473
6	310.5	323	335.5	348	348	360.5	373	385.5	398	410.5	410.5	423	435.5	448	460.5	473	473	485.5	498
7	335.5	348	348	360.5	373	385.5	398	410.5	410.5	423	435.5	448	460.5	473	473	485.5	498	510.5	523
8	348	360.5	373	385.5	398	410.5	410.5	423	435.5	448	460.5	473	473	485.5	498	510.5	523	535.5	535.5

Series SV

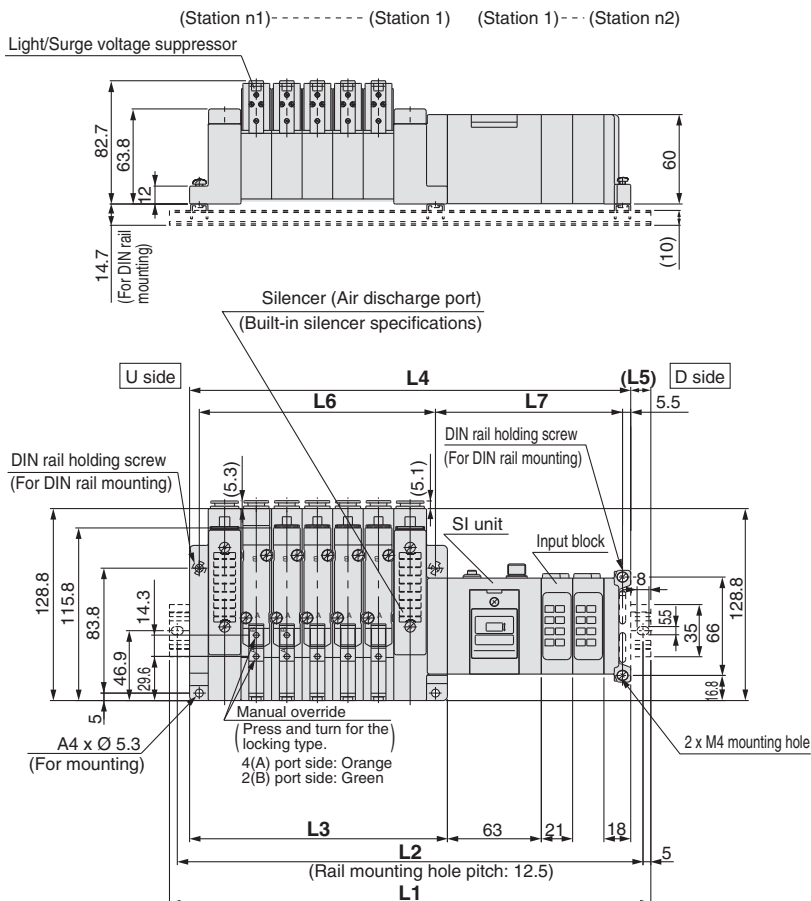
Dimensions: Series SV3000 for EX250 Integrated-type (For I/O) Serial Transmission System

● Tie-rod base manifold: SS5V3-W10S1□□□□D- Stations $\frac{U}{D}$ (S, R, RS)- $\frac{C6, N7}{C8, N9}$ (-D) $\frac{C10, N11}{(-D)}$



- When P, E port outlets are indicated on the U side or D side, the P, E ports on the opposite side are plugged.
- External pilot port positions and silencer discharge port positions are the same as P, E port outlet positions.

(With 2 input blocks)



n1 = Valve stations
n2 = Input block stations

$$L2 = L1 - 10.5$$

$$L3 = 20.5 \times n1 + 70.5$$

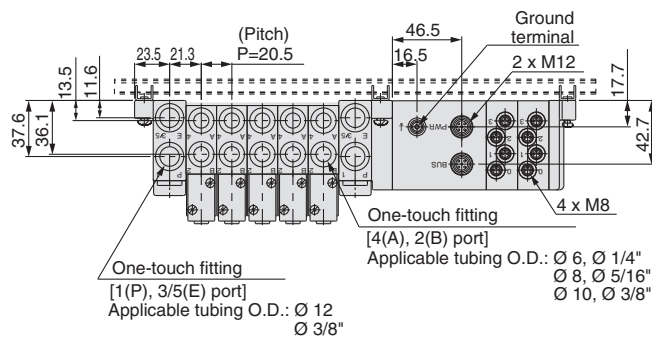
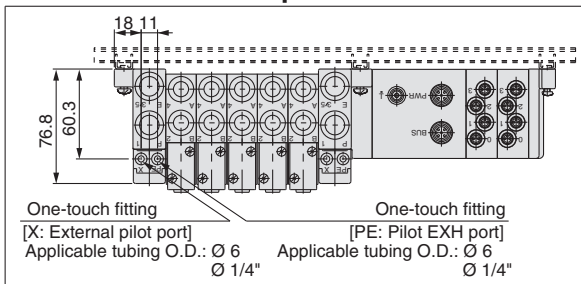
$$L4 = L3 + 81 + 21 \times n2$$

$$L5 = (L1 - L4) / 2$$

$$L6 = 20.5 \times n1 + 56$$

$$L7 = 21 \times n2 + 83.5$$

With External Pilot Specifications



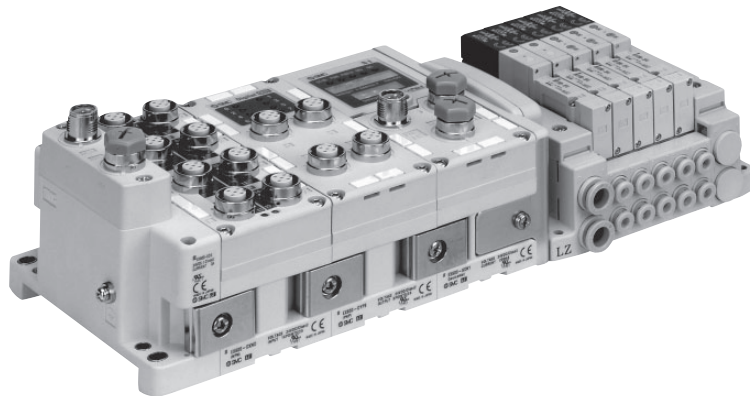
L1: DIN Rail Overall Length

Valve stations (n1) Input block Stations (n2)	2	3	4	5	6	7	8	9	10	11	12	13	14	15	16	17	18	19	20
0	223	248	260.5	285.5	298	323	348	360.5	385.5	410.5	423	448	473	485.5	510.5	535.5	548	573	585.5
1	248	260.5	285.5	310.5	323	348	360.5	385.5	410.5	423	448	473	485.5	510.5	535.5	548	573	585.5	610.5
2	260.5	285.5	310.5	323	348	360.5	385.5	410.5	423	448	473	485.5	510.5	535.5	548	573	598	610.5	635.5
3	285.5	310.5	323	348	373	385.5	410.5	423	448	473	485.5	510.5	535.5	548	573	598	610.5	635.5	648
4	310.5	323	348	373	385.5	410.5	423	448	473	485.5	510.5	535.5	548	573	598	610.5	635.5	660.5	673
5	323	348	373	385.5	410.5	435.5	448	473	485.5	510.5	535.5	548	573	598	610.5	635.5	660.5	673	698
6	348	373	385.5	410.5	435.5	448	473	485.5	510.5	535.5	548	573	598	610.5	635.5	660.5	673	698	723
7	373	385.5	410.5	435.5	448	473	498	510.5	535.5	548	573	598	610.5	635.5	660.5	673	698	723	735.5
8	385.5	410.5	435.5	448	473	498	510.5	535.5	548	573	598	610.5	635.5	660.5	673	698	723	735.5	760.5

Integrated-type (For I/O) Serial Transmission System

Series **EX600**

IP67 compliant



Tie-rod base

Applicable series **Tie-rod base manifold**
SV1000/SV2000/SV3000

- Digital input/output: Max. 144 inputs/144 outputs
- Analogue input: Max. 18 channels
- Valve output: 32 outputs

Series EX600



Series SV1000/2000/3000

When I/O Unit EX600-D□□E or EX600-D□□F are selected, enclosure is IP40. Refer to page 131 for details.

Refer the Operation Manual for the details of EX600 Integrated-type (For I/O) Serial Transmission System. Please download the Operation Manual via our website, <http://www.smc.eu>

How to Order

● Tie-rod Base

SS5V 1 - 10S6 Q - D-05 U - C6 -

Series	
1	SV1000
2	SV2000
3	SV3000

● Enclosure

—	IP40
W	IP67

Note) When selecting an EX600-D□□E or EX600-D□□F I/O unit, option W (IP67) cannot be selected.

● SI Unit

0	Without SI Unit
Q	DeviceNet™ type
N	PROFIBUS DP type
V	CC-Link type
ZE	EtherNet/IP™ (1 port)
EA	EtherNet/IP™ (2 port)
F	PROFINET type
D	EtherCAT type
WE	EtherNet/IP™ compatible wireless base <small>Note 3)</small>
WF	PROFINET compatible wireless base <small>Note 3)</small>
WS	Wireless remote <small>Note 3)</small>

Note 1) I/O units cannot be chosen without SI Unit.

Note 2) Without SI Unit type does not include the Valve Plate to connect the valve manifold and SI Unit.

Note 3) The wireless system is suitable for use only in a country where it is in accordance with the Radio Act and regulations of that country.

● End plate type

—	No end plate
2	M12 power supply connector B-coded
3	7/8 inch power supply connector
4	M12 power supply connector IN/OUT, A-coded, Pin arrangement 1
5	M12 power supply connector IN/OUT, A-coded, Pin arrangement 2

Note) Without SI Unit, the symbol is nil.

● SI Unit COM.

—	Positive common
N	Negative common

Note) Without SI Unit, the symbol is —.

● I/O unit sta. number

—	None
1	1 sta.
⋮	⋮
9	9 sta.

Note 1) Without SI Unit, the symbol is —.

Note 2) SI Unit is not included in I/O unit station number.

Note 3) When I/O unit is selected, it is shipped separately, and assembled by customer.

Symbol	Stations	Note
02	2 sta.	Double wiring specification <small>Note 1)</small>
⋮	⋮	
16	16 sta.	
02	2 sta.	Specified layout <small>Note 2)</small> (Up to 32 solenoids possible)
⋮	⋮	
20	20 sta.	

● Valve stations

Note 1) Double wiring specifications: Single, double, 3 position and 4 position solenoid valves can be used at all of the manifold stations.

When single solenoid is used, control signal which is not assigned to any number is made. If empty signal is not wanted, please order with signal layout specified.

Note 2) Specified layout: Indicate wiring specifications with the manifold specification sheet. (Note that double, 3 position and 4 position valves cannot be used where single solenoid wiring has been specified.)

● A, B port size (Metric)

Symbol	A, B port	P, E port	Applicable series
C3	∅ 3.2 One-touch fitting	∅ 8 One-touch fitting	SV1000
C4	∅ 4 One-touch fitting		
C6	∅ 6 One-touch fitting		
C4	∅ 4 One-touch fitting	∅ 10 One-touch fitting	SV2000
C6	∅ 6 One-touch fitting		
C8	∅ 8 One-touch fitting		
C6	∅ 6 One-touch fitting	∅ 12 One-touch fitting	SV3000
C8	∅ 8 One-touch fitting		
C10	∅ 10 One-touch fitting		
M	A, B port mixed		

● A, B port size (Inch)

Symbol	A, B port	P, E port	Applicable series
N1	∅ 1/8" One-touch fitting	∅ 5/16" One-touch fitting	SV1000
N3	∅ 5/32" One-touch fitting		
N7	∅ 1/4" One-touch fitting		
N3	∅ 5/32" One-touch fitting	∅ 3/8" One-touch fitting	SV2000
N7	∅ 1/4" One-touch fitting		
N9	∅ 5/16" One-touch fitting		
N7	∅ 1/4" One-touch fitting	∅ 3/8" One-touch fitting	SV3000
N9	∅ 5/16" One-touch fitting		
N11	∅ 3/8" One-touch fitting		
M	A, B port mixed		

* In the case of Mixed specifications (M), indicate separately with the manifold specification sheet.

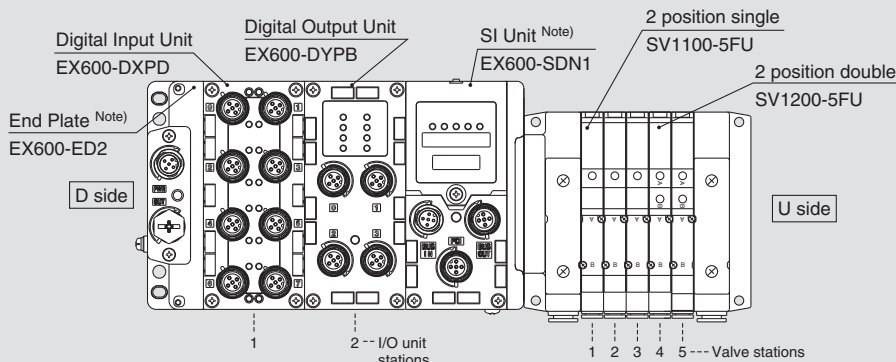
* Regarding the X and PE port size of External pilot type (R), and X port size of External pilot/Built-in silencer type (RS), ∅ 4 (mm) and ∅ 5/32" (inch) for the SV1000/2000 series, ∅ 6 (mm) and ∅ 1/4" (inch) for the SV3000 series.

How to Order Manifold Assembly (Example)

Example (SS5V1)

Manifold Power supply with M12 connector

- Digital Input Unit
- Digital Output Unit
- Digital Input/Output Unit
- Analogue Input Unit
- Analogue Output Unit
- Analogue Input/Output Unit



Serial transmission kit

- SS5V1-W10S6Q2N2D-05B-C6 1 set
- * SV1100-5FU 3 sets
- * SV1200-5FU 2 sets
- * EX600-DXPD 1 set
- * EX600-DYPB 1 set

- Manifold base part number
- Valve part number (Stations 1 to 3)
- Valve part number (Stations 4 to 5)
- I/O unit part number (Station 1)
- I/O unit part number (Station 2)

Enter in order starting from the first station on the D side. When entry of part numbers becomes complicated, indicate with the manifold specification sheet.

Enter in order starting from the first station on the D side. When entry of part numbers becomes complicated, indicate with the manifold specification sheet.

Note) Do not enter the SI Unit part number and the End Plate part number together.

The asterisk denotes the symbol for assembly. Prefix it to the part nos. of the solenoid valve, etc.

How to Order Valves

SV 1 1 00 - 5 FU -

Series

1	SV1000
2	SV2000
3	SV3000

Type of actuation

1	2 position single solenoid
2	2 position double solenoid
3	3 position closed centre
4	3 position exhaust centre
5	3 position pressure centre
A	4 position dual 3 port valve: N.C./N.C.
B	4 position dual 3 port valve: N.O./N.O.
C	4 position dual 3 port valve: N.C./N.O.

* 4 position dual 3 port valves are applicable to the SV1000/2000 series only.

Pilot specifications

—	Internal pilot
R	External pilot

* External pilot specification is not available for 4 position dual 3 port valves.

Back pressure check valve

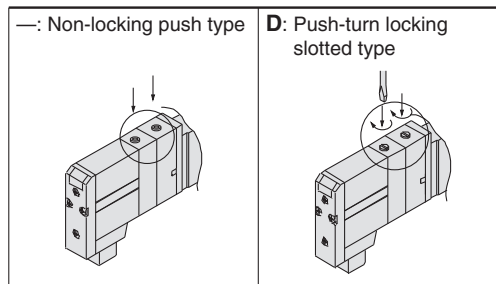
—	None
K	Built-in

* Built-in back pressure check valve type is applicable to the SV1000 series only.
* The 3 position valve is not available with the back pressure check valve.

Made to Order

—	—
X90	Fluororubber specification

Manual override



Light/Surge voltage suppressor

U	With light/surge voltage suppressor
R	With surge voltage suppressor

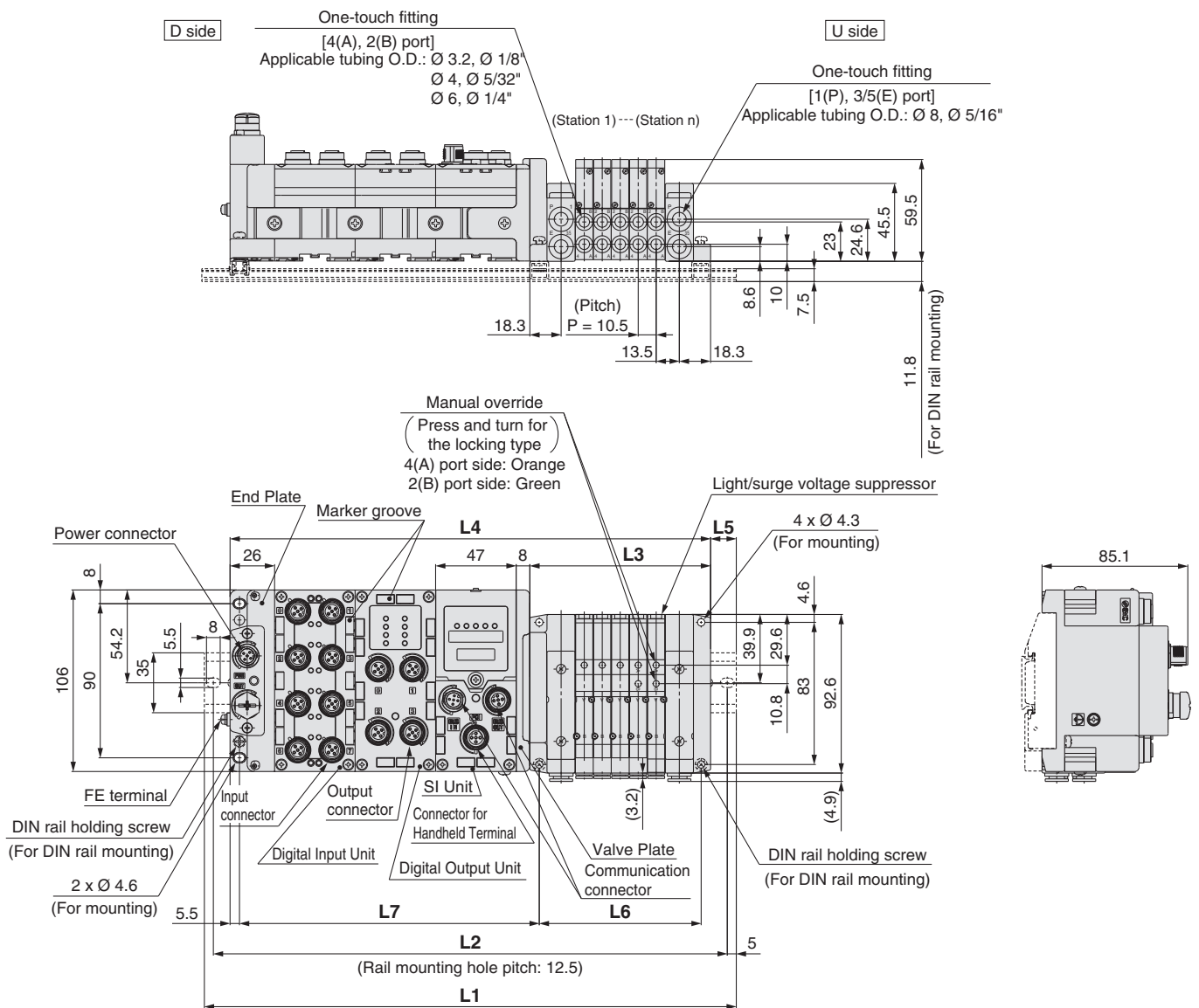
Coil voltage

5	24 V DC
---	---------

Series SV

Dimensions: Series SV1000

Power supply with M12 connector



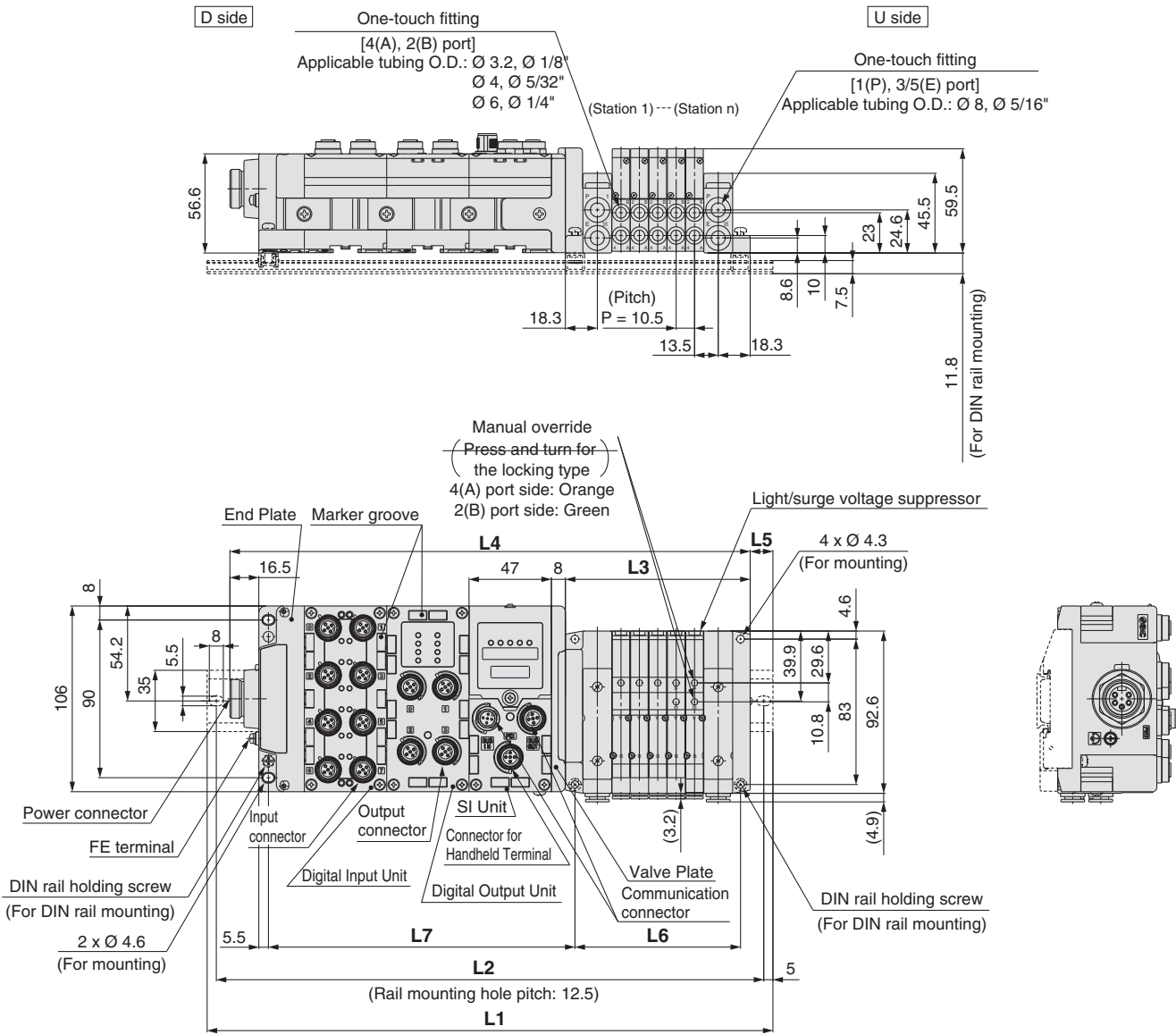
$L2 = L1 - 10.5$
 $L3 = 10.5 \times n1 + 53$
 $L4 = L3 + 81 + 47 \times n2$
 $L5 = (L1 - L4)/2$
 $L6 = 10.5 \times n1 + 42$
 $L7 = 47 \times n2 + 81$

L1: DIN Rail Overall Length

I/O unit stations (n2) \ Valve stations (n1)	2	3	4	5	6	7	8	9	10	11	12	13	14	15	16	17	18	19	20
0	185.5	198	210.5	210.5	223	235.5	248	260.5	273	273	285.5	298	310.5	323	335.5	348	348	360.5	373
1	235.5	248	248	260.5	273	285.5	298	310.5	310.5	323	335.5	348	360.5	373	373	385.5	398	410.5	423
2	273	285.5	298	310.5	323	335.5	335.5	348	360.5	373	385.5	398	410.5	410.5	423	435.5	448	460.5	473
3	323	335.5	348	360.5	373	373	385.5	398	410.5	423	435.5	435.5	448	460.5	473	485.5	498	498	510.5
4	373	385.5	398	398	410.5	423	435.5	448	460.5	473	473	485.5	498	510.5	523	535.5	535.5	548	560.5
5	423	435.5	435.5	448	460.5	473	485.5	498	498	510.5	523	535.5	548	560.5	560.5	573	585.5	598	610.5
6	460.5	473	485.5	498	510.5	523	535.5	535.5	548	560.5	573	585.5	598	598	610.5	623	635.5	648	660.5
7	510.5	523	535.5	548	560.5	560.5	573	585.5	598	610.5	623	623	635.5	648	660.5	673	685.5	698	698
8	560.5	573	585.5	598	598	610.5	623	635.5	648	660.5	660.5	673	685.5	698	710.5	723	723	735.5	748
9	610.5	623	623	635.5	648	660.5	673	685.5	685.5	698	710.5	723	735.5	748	760.5	760.5	773	785.5	798

Dimensions: Series SV1000

Power supply with 7/8 inch connector



$L2 = L1 - 10.5$
 $L3 = 10.5 \times n1 + 53$
 $L4 = L3 + 97.5 + 47 \times n2$
 $L5 = (L1 - L4) / 2$
 $L6 = 10.5 \times n1 + 42$
 $L7 = 47 \times n2 + 81$

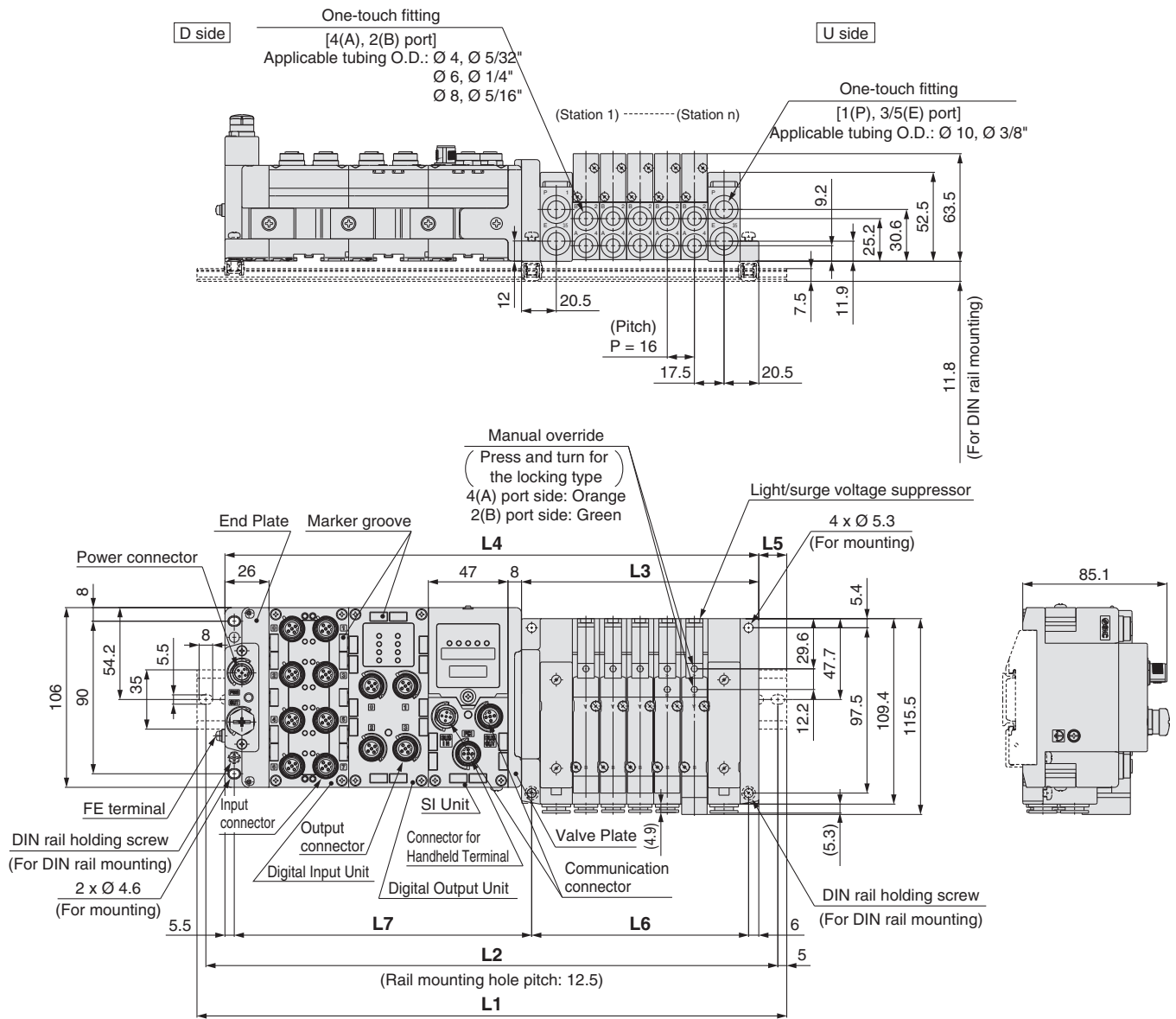
L1: DIN Rail Overall Length

I/O unit stations (n2) \ Valve stations (n1)	2	3	4	5	6	7	8	9	10	11	12	13	14	15	16	17	18	19	20
0	198	210.5	223	235.5	248	248	260.5	273	285.5	298	310.5	310.5	323	335.5	348	360.5	373	385.5	385.5
1	248	260.5	273	285.5	285.5	298	310.5	323	335.5	348	348	360.5	373	385.5	398	410.5	410.5	423	435.5
2	298	310.5	310.5	323	335.5	348	360.5	373	373	385.5	398	410.5	423	435.5	448	448	460.5	473	485.5
3	348	348	360.5	373	385.5	398	410.5	410.5	423	435.5	448	460.5	473	473	485.5	498	510.5	523	535.5
4	385.5	398	410.5	423	435.5	435.5	448	460.5	473	485.5	498	510.5	510.5	523	535.5	548	560.5	573	573
5	435.5	448	460.5	473	473	485.5	498	510.5	523	535.5	535.5	548	560.5	573	585.5	598	598	610.5	623
6	485.5	498	498	510.5	523	535.5	548	560.5	573	573	585.5	598	610.5	623	635.5	635.5	648	660.5	673
7	535.5	535.5	548	560.5	573	585.5	598	598	610.5	623	635.5	648	660.5	660.5	673	685.5	698	710.5	723
8	573	585.5	598	610.5	623	635.5	635.5	648	660.5	673	685.5	698	698	710.5	723	735.5	748	760.5	760.5
9	623	635.5	648	660.5	660.5	673	685.5	698	710.5	723	723	735.5	748	760.5	773	785.5	798	798	810.5

Series SV

Dimensions: Series SV2000

Power supply with M12 connector



$L2 = L1 - 10.5$
 $L3 = 16 \times n1 + 60$
 $L4 = L3 + 81 + 47 \times n2$
 $L5 = (L1 - L4) / 2$
 $L6 = 16 \times n1 + 48$
 $L7 = 47 \times n2 + 81.5$

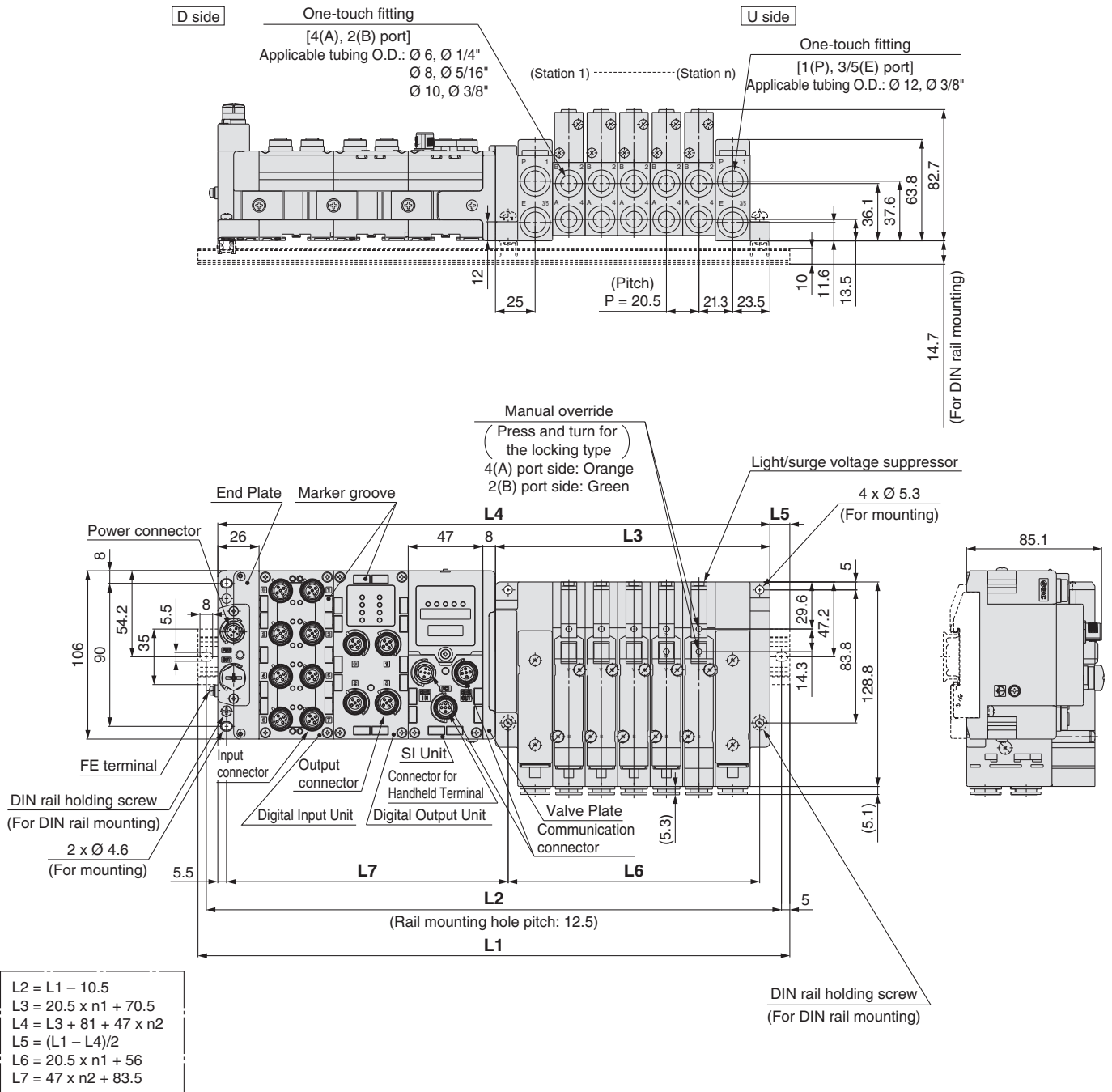
L1: DIN Rail Overall Length

I/O stations (n2) \ Valve stations (n1)	2	3	4	5	6	7	8	9	10	11	12	13	14	15	16	17	18	19	20
0	198	223	235.5	248	260.5	285.5	298	310.5	335.5	348	360.5	373	398	410.5	423	448	460.5	473	485.5
1	248	260.5	285.5	298	310.5	335.5	348	360.5	373	398	410.5	423	435.5	460.5	473	485.5	510.5	523	535.5
2	298	310.5	323	348	360.5	373	398	410.5	423	435.5	460.5	473	485.5	510.5	523	535.5	548	573	585.5
3	348	360.5	373	385.5	410.5	423	435.5	460.5	473	485.5	498	523	535.5	548	573	585.5	598	610.5	635.5
4	385.5	410.5	423	435.5	460.5	473	485.5	498	523	535.5	548	560.5	585.5	598	610.5	635.5	648	660.5	673
5	435.5	448	473	485.5	498	523	535.5	548	560.5	585.5	598	610.5	635.5	648	660.5	673	698	710.5	723
6	485.5	498	510.5	535.5	548	560.5	585.5	598	610.5	623	648	660.5	673	698	710.5	723	735.5	760.5	773
7	535.5	548	560.5	585.5	598	610.5	623	648	660.5	673	685.5	710.5	723	735.5	760.5	773	785.5	798	823
8	573	598	610.5	623	648	660.5	673	685.5	710.5	723	735.5	760.5	773	785.5	798	823	835.5	848	860.5
9	623	635.5	660.5	673	685.5	710.5	723	735.5	748	773	785.5	798	823	835.5	848	860.5	885.5	898	910.5

Series SV

Dimensions: Series SV3000

Power supply with M12 connector

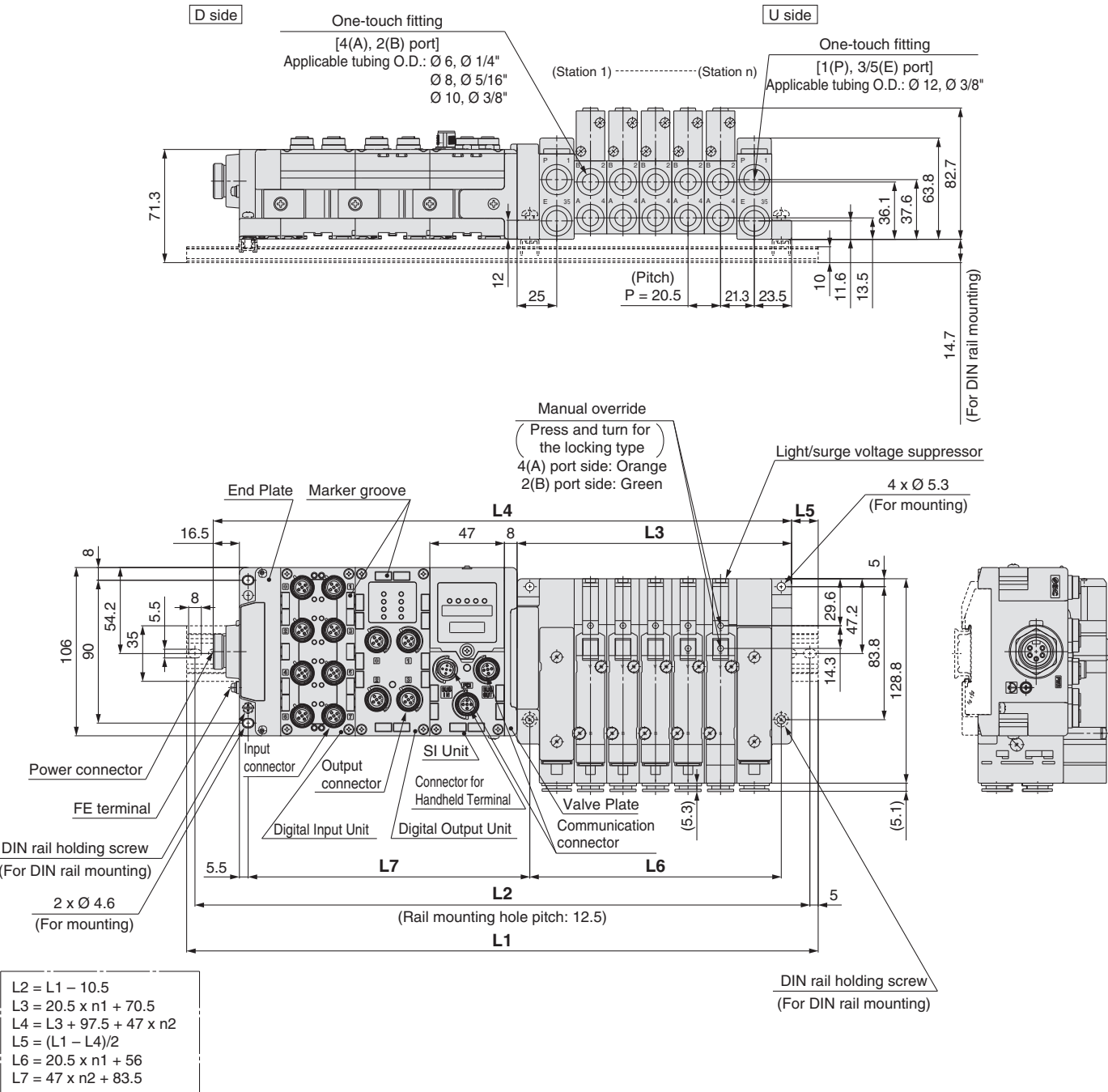


L1: DIN Rail Overall Length

I/O unit stations (n2)	Valve stations (n1)																			
	2	3	4	5	6	7	8	9	10	11	12	13	14	15	16	17	18	19	20	
0	223	248	260.5	285.5	298	323	348	360.5	385.5	410.5	423	448	473	485.5	510.5	535.5	548	573	585.5	
1	273	285.5	310.5	335.5	348	373	398	410.5	435.5	448	473	498	510.5	535.5	560.5	573	598	623	635.5	
2	310.5	335.5	360.5	373	398	423	435.5	460.5	485.5	498	523	535.5	560.5	585.5	598	623	648	660.5	685.5	
3	360.5	385.5	398	423	448	460.5	485.5	510.5	523	548	573	585.5	610.5	635.5	648	673	685.5	710.5	735.5	
4	410.5	435.5	448	473	498	510.5	535.5	548	573	598	610.5	635.5	660.5	673	698	723	735.5	760.5	773	
5	460.5	473	498	523	535.5	560.5	585.5	598	623	635.5	660.5	685.5	698	723	748	760.5	785.5	810.5	823	
6	498	523	548	560.5	585.5	610.5	623	648	673	685.5	710.5	735.5	748	773	785.5	810.5	835.5	848	873	
7	548	573	598	610.5	635.5	648	673	698	710.5	735.5	760.5	773	798	823	835.5	860.5	873	898	923	
8	598	623	635.5	660.5	685.5	698	723	735.5	760.5	785.5	798	823	848	860.5	885.5	910.5	923	948	973	
9	648	660.5	685.5	710.5	723	748	773	785.5	810.5	835.5	848	873	885.5	910.5	935.5	948	973	—	—	

Dimensions: Series SV3000

Power supply with 7/8 inch connector



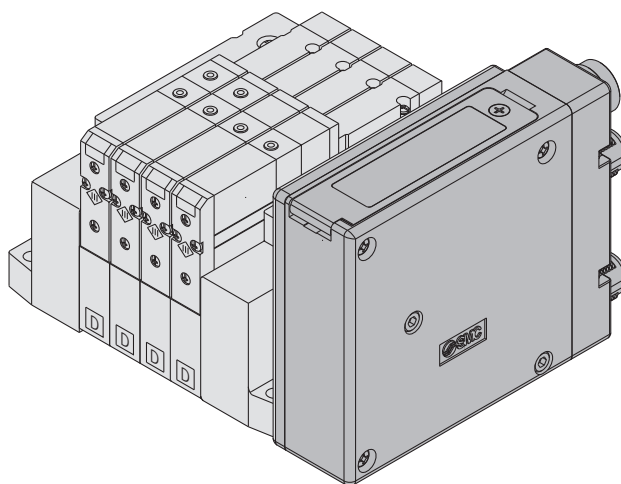
L1: DIN Rail Overall Length

I/O unit stations (n2) \ Valve stations (n1)	2	3	4	5	6	7	8	9	10	11	12	13	14	15	16	17	18	19	20
0	235.5	260.5	285.5	298	323	335.5	360.5	385.5	398	423	448	460.5	485.5	510.5	523	548	560.5	585.5	610.5
1	285.5	310.5	323	348	373	385.5	410.5	423	448	473	485.5	510.5	535.5	548	573	598	610.5	635.5	660.5
2	335.5	348	373	398	410.5	435.5	460.5	473	498	523	535.5	560.5	573	598	623	635.5	660.5	685.5	698
3	385.5	398	423	435.5	460.5	485.5	498	523	548	560.5	585.5	610.5	623	648	660.5	685.5	710.5	723	748
4	423	448	473	485.5	510.5	523	548	573	585.5	610.5	635.5	648	673	698	710.5	735.5	760.5	773	798
5	473	498	510.5	535.5	560.5	573	598	623	635.5	660.5	673	698	723	735.5	760.5	785.5	798	823	848
6	523	535.5	560.5	585.5	598	623	648	660.5	685.5	710.5	723	748	760.5	785.5	810.5	823	848	873	885.5
7	573	585.5	610.5	623	648	673	685.5	710.5	735.5	748	773	798	810.5	835.5	860.5	873	898	910.5	935.5
8	610.5	635.5	660.5	673	698	723	735.5	760.5	773	798	823	835.5	860.5	885.5	898	923	948	960.5	985.5
9	660.5	685.5	698	723	748	760.5	785.5	810.5	823	848	860.5	885.5	910.5	923	948	973	985.5	—	—

Integrated-type (For Output) Serial Transmission System

Series **EX260**

IP67 (partly IP40) compliant



Tie-rod base

Applicable series	Tie-rod base manifold SV1000/SV2000/SV3000
-------------------	---

- Number of outputs points: 16, 32 points each

Tie-rod Base: EX260 Integrated-type (For Output) Serial Transmission System

Series SV



How to Order Manifold



* Refer to Note 3) of the ② SI unit specifications.

① Series

1	SV1000
2	SV2000
3	SV3000

② SI unit specifications

(output polarity, protocol, number of outputs, communication connector)

Symbol (output polarity)		Protocol	Number of outputs	Communication connector
Positive common (NPN)	Negative common (PNP)			
0 Without SI unit				
QA	QAN	DeviceNet™	32	M12
QB	QBN		16	
NA	NAN	PROFIBUS DP	32	M12
NB	NBN		16	
NC	NCN		32	Note 3) D-sub
ND	NDN		16	
VA	VAN	CC-Link	32	M12
VB	VBN		16	
DA	DAN	EtherCAT	32	M12
DB	DBN		16	
FA	FAN	PROFINET	32	M12
FB	FBN		16	
EA	EAN	EtherNet/IP™	32	M12
EB	EBN		16	
— ^{Note 2)}	GAN	POWERLINK	32	M12
— ^{Note 2)}	GBN		16	

Note 1) DIN rail cannot be mounted without SI Unit.
 Note 2) Positive common (NPN) type is not applicable.
 Note 3) IP40 for the D-sub applicable communication connector specification.
 (The manifold part number is "SS5V□-10S1NC/ND□□".)
 Note 4) For SI unit part number, refer to the table below.

⑥ A, B port size (Metric size)

Symbol	A, B port	P, E port	Applicable series
C3	∅ 3.2 One-touch fitting	∅ 8 One-touch fitting	SV1000
C4	∅ 4 One-touch fitting		
C6	∅ 6 One-touch fitting	∅ 10 One-touch fitting	SV2000
C4	∅ 4 One-touch fitting		
C6	∅ 6 One-touch fitting		
C8	∅ 8 One-touch fitting		
C6	∅ 6 One-touch fitting	∅ 12 One-touch fitting	SV3000
C8	∅ 8 One-touch fitting		
C10	∅ 10 One-touch fitting		
M	A, B ports mixed		

* In the case of mixed specifications (M), indicate separately on the manifold specification sheet.

* The port sizes of X, PE ports for external pilot specifications (R, Rs) are ∅ 4 (millimeters) or ∅ 5/32" (inches) for the Series SV1000/2000, and ∅ 6 (millimeters) or ∅ 1/4" (inches) for the Series SV3000.

EX260 SI unit part no.

Symbol	Protocol	Number of outputs	Communication connector	SI unit part no.	
				+COM.	-COM.
QA	DeviceNet™	32	M12	EX260-SDN2	EX260-SDN1
QB		16		EX260-SDN4	EX260-SDN3
NA	PROFIBUS DP	32	M12	EX260-SPR2	EX260-SPR1
NB		16		EX260-SPR4	EX260-SPR3
NC		32	D-sub	EX260-SPR6	EX260-SPR5
ND		16		EX260-SPR8	EX260-SPR7
VA	CC-Link	32	M12	EX260-SMJ2	EX260-SMJ1
VB		16		EX260-SMJ4	EX260-SMJ3

③ Valve stations

In case of the 32 Outputs SI unit

Symbol	Stations	Note
02	2 stations	Double wiring ^{Note 1)}
16	16 stations	
02	2 stations	Specified layout ^{Note 2)} (Available up to 32 solenoids)
20	20 stations	

In case of the 16 Outputs SI unit

Symbol	Stations	Note
02	2 stations	Double wiring ^{Note 1)}
08	8 stations	
02	2 stations	Specified layout ^{Note 2)} (Available up to 16 solenoids)
16	16 stations	

Note 1) Double wiring: single, double, 3-position and 4-position solenoid valves can be used on all manifold stations. Use of a single solenoid will result in an unused control signal. If this is not desired, order with a specified layout.

Note 2) Specified layout: Indicate the wiring specifications with the manifold specification sheet.
 (Note that double, 3-position and 4-position valves cannot be used where single solenoid wiring has been specified.)

④ P, E port location

U	U side (2 to 10 stations)
D	D side (2 to 10 stations)
B	Both sides (2 to 20 stations)

⑤ SUP/EXH block assembly specifications

—	Internal pilot
S ^{Note)}	Internal pilot/Built-in silencer
R	External pilot
RS ^{Note)}	External pilot/Built-in silencer

Note) When the built-in silencer type is used, keep the air outlet from coming in direct contact with water or other liquids.

⑦ Mounting

—	Direct mounting	
D	DIN rail mounting (With DIN rail)	
D0	DIN rail mounting (Without DIN rail)	
D3	For 3 stations	When a longer DIN rail is desired than the specified stations. (Specify a longer rail than the standard length.)
∴	∴	
D20	For 20 stations	

* If the DIN rail must be mounted without an SI Unit, select "D0" and order the DIN rail separately. Refer to L3 of the dimensions for the DIN rail length. For the DIN rail part number, refer to the WEB catalogue.

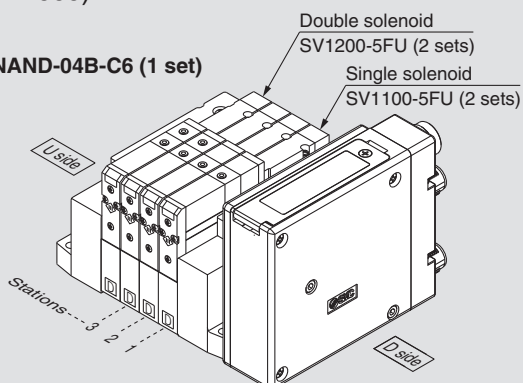
A, B port size (Inch size)

Symbol	A, B port	P, E port	Applicable series
N1	∅ 1/8" One-touch fitting	∅ 5/16" One-touch fitting	SV1000
N3	∅ 5/32" One-touch fitting		
N7	∅ 1/4" One-touch fitting		
N3	∅ 5/32" One-touch fitting	∅ 3/8" One-touch fitting	SV2000
N7	∅ 1/4" One-touch fitting		
N9	∅ 5/16" One-touch fitting		
N7	∅ 1/4" One-touch fitting	∅ 3/8" One-touch fitting	SV3000
N9	∅ 5/16" One-touch fitting		
N11	∅ 3/8" One-touch fitting		
M	A, B ports mixed		

How to Order Manifold Assembly

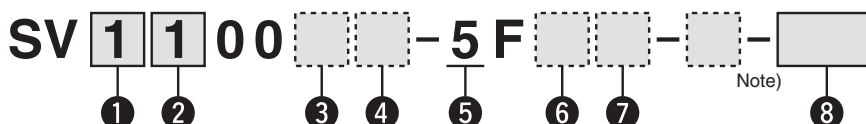
Example (SV1000)

Manifold
SS5V1-W10S1NAND-04B-C6 (1 set)



SS5V1-W10S1NAND-04B-C6 1 set (Manifold part no.)
 *SV1100-5FU 2 sets (Single solenoid part no.)
 *SV1200-5FU 2 sets (Double solenoid part no.)

How to Order Valves



1 Series

1	SV1000
2	SV2000
3	SV3000

2 Type of actuation

1	2-position single
2	2-position double
3	3-position closed centre
4	3-position exhaust centre
5	3-position pressure centre
A	4-position dual 3-port valve: N.C./N.C.
B	4-position dual 3-port valve: N.O./N.O.
C	4-position dual 3-port valve: N.C./N.O.

* 4-position dual 3-port valves are applicable to the Series SV1000 and SV2000 only.

3 Pilot type

—	Internal pilot
R	External pilot

* External pilot specifications is not available for 4-position dual 3-port valves.

4 Back pressure check valve

—	None
K	Built-in

* Built-in back pressure check valve type is applicable to the Series SV1000 only.
 * Back pressure check valve is not available for 3-position valve.

Note) Refer to Specific Product Precautions 2 on page 127.

5 Rated voltage

5	24 V DC
---	---------

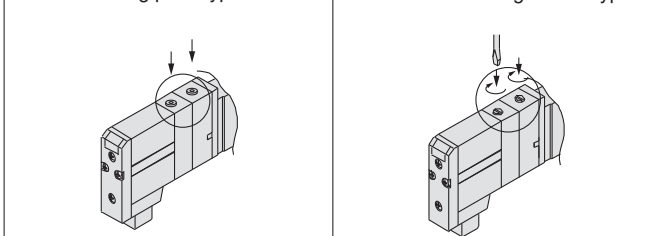
6 Light/Surge voltage suppressor

U	With light/surge voltage suppressor
R	With surge voltage suppressor

7 Manual override

—: Non-locking push type

D: Push-turn locking slotted type



Note) Available with manifold block for station additions. Refer to page 110.

8 Made to Order

—	—
X90	Main valve fluororubber (Refer to page 125.)

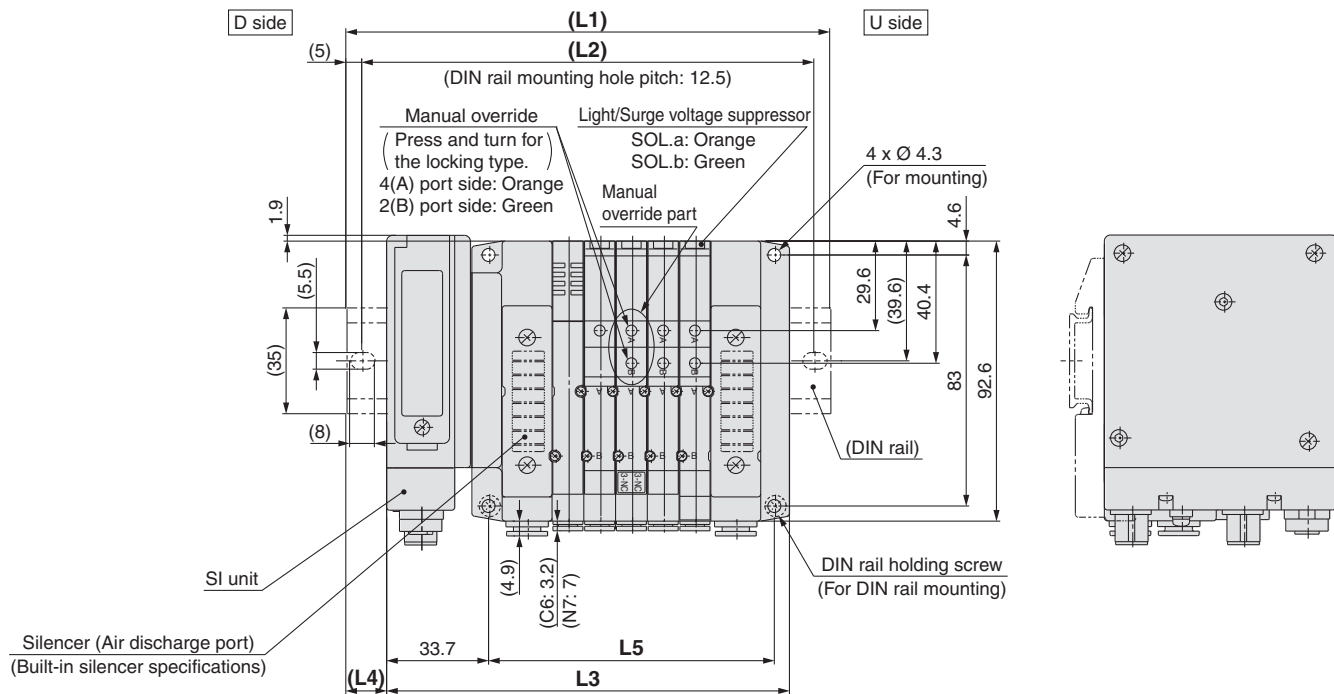
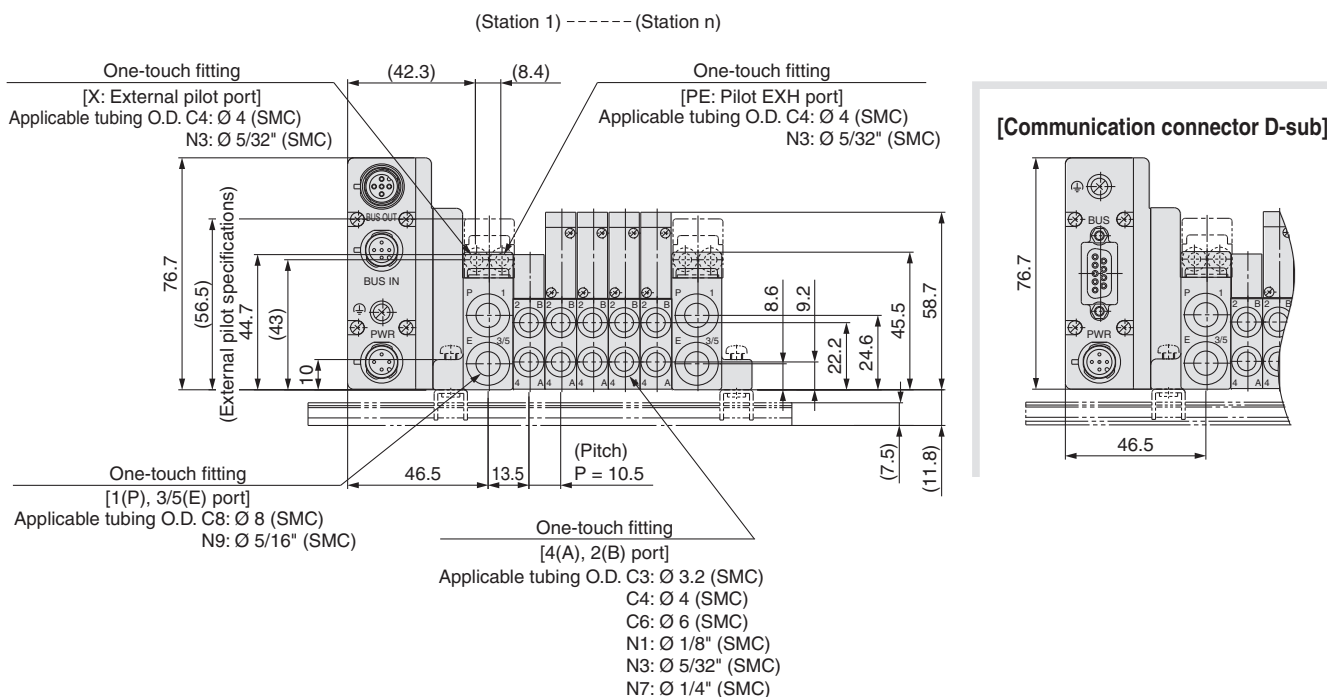
• Refer to the technical operation manual for details of SI unit.

Series SV

Dimensions: Series SV1000 for EX260 Integrated-type (For Output) Serial Transmission System

● Tie-rod base manifold: SS5V1-W10S1□□D-**Stations** $\frac{U}{D}$ (S, R, RS) $\frac{C3, N1}{C4, N3, C6, N7}$ (-D)

- When P, E port outlets are indicated on the U side or D side, the P, E ports on the opposite side are plugged.
- External pilot port positions and silencer discharge port positions are the same as P, E port outlet positions.



L: DIN Rail Overall Length

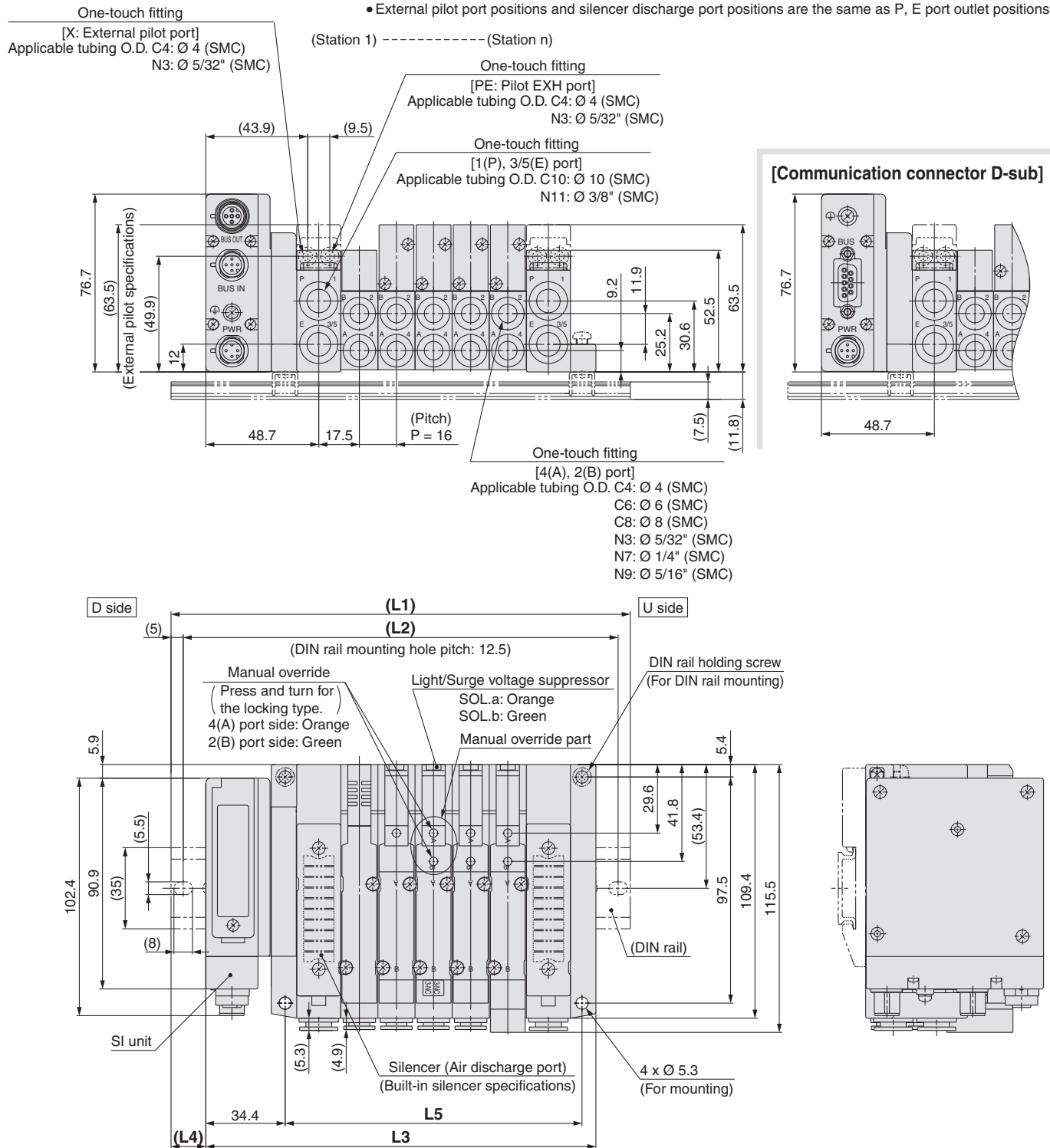
n: Stations

L \ n	2	3	4	5	6	7	8	9	10	11	12	13	14	15	16	17	18	19	20
L1	135.5	148	148	160.5	173	185.5	198	210.5	210.5	223	235.5	248	260.5	273	273	285.5	298	310.5	323
L2	125	137.5	137.5	150	162.5	175	187.5	200	200	212.5	225	237.5	250	262.5	262.5	275	287.5	300	312.5
L3	102.2	112.7	123.2	133.7	144.2	154.7	165.2	175.7	186.2	196.7	207.2	217.7	228.2	238.7	249.2	259.7	270.2	280.7	291.2
L4	16.5	17.5	12.5	13.5	14.5	15.5	16.5	17.5	12	13	14	15	16	17	12	13	14	15	16
L5	63	73.5	84	94.5	105	115.5	126	136.5	147	157.5	168	178.5	189	199.5	210	220.5	231	241.5	252

Dimensions: Series SV2000 for EX260 Integrated-type (For Output) Serial Transmission System

● Tie-rod base manifold: SS5V2-W10S1□□D-**Stations** $\frac{U}{D}$ (S, R, RS) $\frac{C3, N3}{C4, N7}$ $\frac{C6, N9}{C6, N9}$ (-D)

- When P, E port outlets are indicated on the U side or D side, the P, E ports on the opposite side are plugged.
- External pilot port positions and silencer discharge port positions are the same as P, E port outlet positions.



L: DIN Rail Overall Length

n: Stations

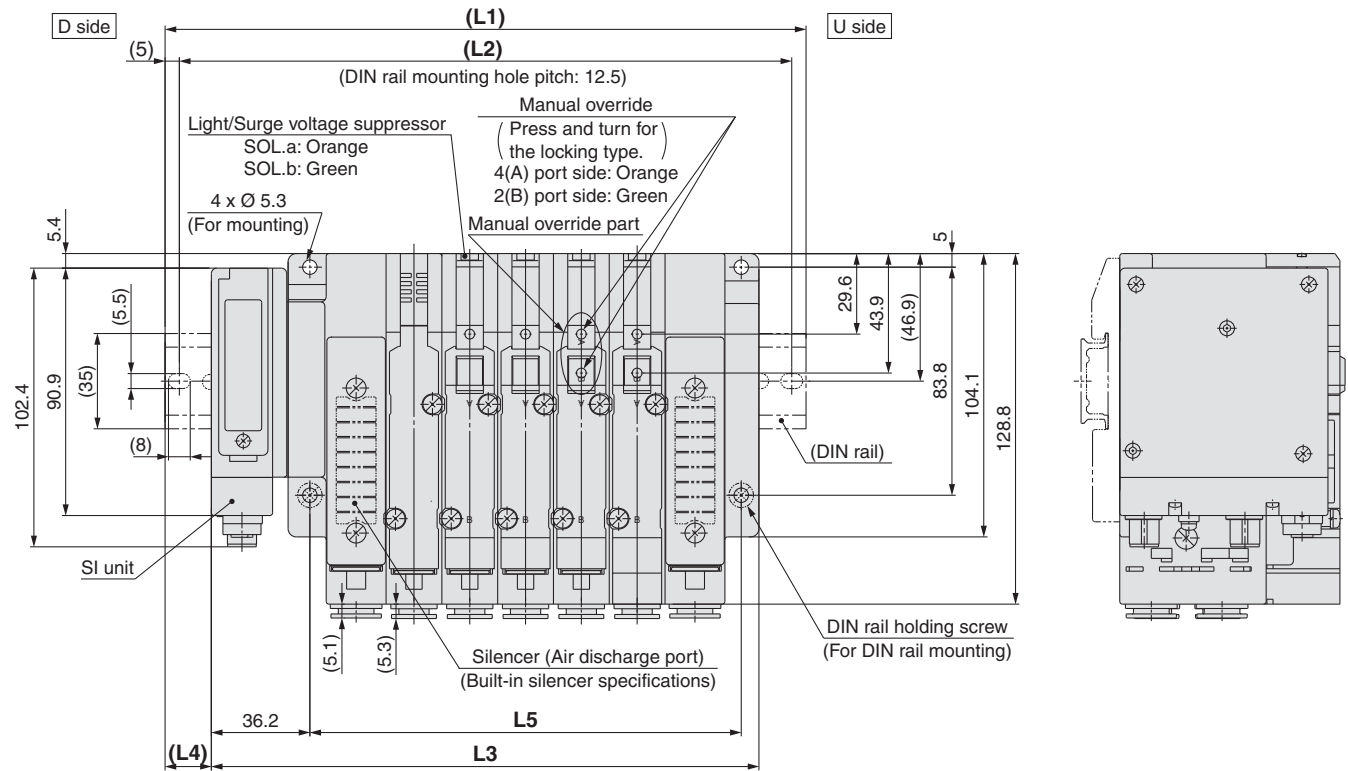
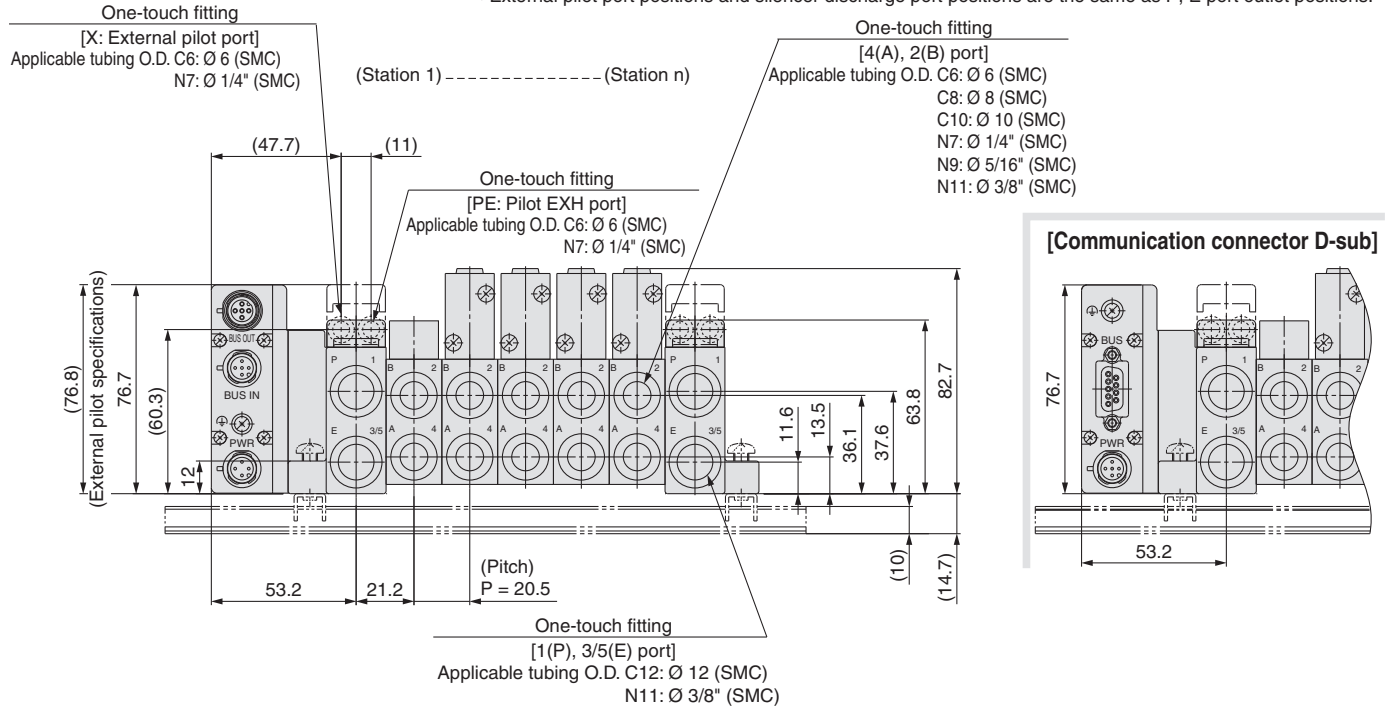
L \ n	2	3	4	5	6	7	8	9	10	11	12	13	14	15	16	17	18	19	20
L1	148	160.5	185.5	198	210.5	235.5	248	260.5	273	298	310.5	323	335.5	360.5	373	385.5	410.5	423	435.5
L2	137.5	150	175	187.5	200	225	237.5	250	262.5	287.5	300	312.5	325	350	362.5	375	400	412.5	425
L3	120.2	136.2	152.2	168.2	184.2	200.2	216.2	232.2	248.2	264.2	280.2	296.2	312.2	328.2	344.2	360.2	376.2	392.2	408.2
L4	14	12	16.5	15	13	17.5	16	14	12.5	17	15	13.5	11.5	16	14.5	12.5	17	15.5	13.5
L5	80	96	112	128	144	160	176	192	208	224	240	256	272	288	304	320	336	352	368

Series SV

Dimensions: Series SV3000 for EX260 Integrated-type (For Output) Serial Transmission System

● Tie-rod base manifold: SS5V3-W10S1□□D-**Stations** $\begin{matrix} U \\ D \end{matrix}$ (S, R, RS)- $\begin{matrix} C6, N7 \\ C8, N9 \\ C10, N11 \end{matrix}$ (-D)

- When P, E port outlets are indicated on the U side or D side, the P, E ports on the opposite side are plugged.
- External pilot port positions and silencer discharge port positions are the same as P, E port outlet positions.



L: DIN Rail Overall Length

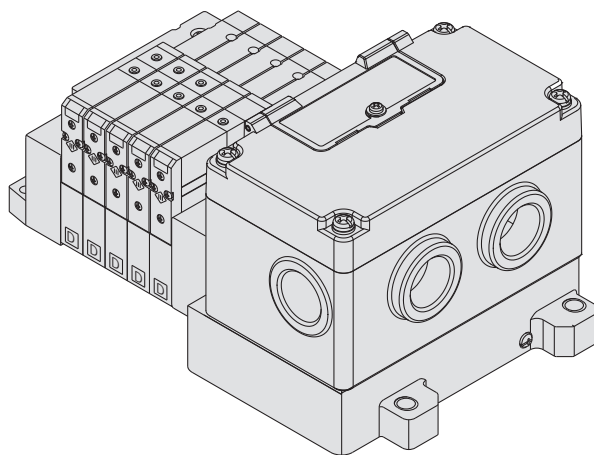
n: Stations

L \ n	2	3	4	5	6	7	8	9	10	11	12	13	14	15	16	17	18	19	20
L1	173	185.5	210.5	235.5	248	273	298	310.5	335.5	348	373	398	410.5	435.5	460.5	473	498	523	535.5
L2	162.5	175	200	225	237.5	262.5	287.5	300	325	337.5	362.5	387.5	400	425	450	462.5	487.5	512.5	525
L3	139.7	160.2	180.7	201.2	221.7	242.2	262.7	283.2	303.7	324.2	344.7	365.2	385.7	406.2	426.7	447.2	467.7	488.2	508.7
L4	16.5	12.5	15	17	13	15.5	17.5	13.5	16	12	14	16.5	12.5	14.5	17	13	15	17.5	13.5
L5	97	117.5	138	158.5	179	199.5	220	240.5	261	281.5	302	322.5	343	363.5	384	404.5	425	445.5	466

Integrated-type (For Output) Serial Transmission System

Series **EX126**

IP67 compliant



Applicable series **Tie-rod base manifold**
SV1000/SV2000/SV3000

- Number of outputs points: 16 points

EX126 Integrated-type (For Output) Serial Transmission System

Series SV



How to Order

● Tie-rod base

SS5V **1** - W 10S4 D - **05** **U** - -

Series

1	SV1000
2	SV2000
3	SV3000

Enclosure
IP67 specifications

SI unit

0	Without SI unit and end plate
VW	CC-Link

● When the SI unit is not included, only the terminal block plate is included.

● Mounting

—	Direct mounting	
D	DIN rail mounting (With DIN rail)	
D0*	DIN rail mounting (Without DIN rail)	
D3	For 3 stations	When a longer DIN rail is desired than the specified stations. (Specify a longer rail than the standard length.)
⋮	⋮	
D16	For 16 stations	

* In the case of D0, only DIN rail fittings are attached.

● SI unit

● Valve stations

Symbol	Stations	Note
02	2 stations	(1) Double wiring specifications
⋮	⋮	
08	8 stations	(2) Specified layout (up to 16 solenoids possible.)
02	2 stations	
⋮	⋮	
16	16 stations	

Note 1) Double wiring specifications: Single, double, 3 position and 4 position solenoid valves can be used on all manifold stations. Use of a single solenoid will result in an unused control signal. If this is not desired, order with a specified layout.

Note 2) Specified layout: Indicate wiring specifications on a manifold specification sheet.
(Note that double, 3 and 4 position valves cannot be used where single solenoid wiring has been specified.)

● SUP/EXH block assembly specifications

—	Internal pilot
S*	Internal pilot/Built-in silencer
R	External pilot
RS*	External pilot/Built-in silencer

Note) When the built-in silencer type is used, keep the exhaust port from coming in direct contact with water or other liquids.

SI Unit Part No.

Symbol	Protocol type	SI unit part no.
VW	CC-Link	EX126D-SMJ1

Refer to the Operation Manual for the details of the EX126 Integrated-type (For Output) Serial Transmission System. Please download the Operation Manual via our website, <http://www.smc.eu>.

● P, E port location

U	U side (2 to 10 stations)
D	D side (2 to 10 stations)
B	Both sides (2 to 16 stations)

A, B port size (Metric)

Symbol	A, B port	P, E port	Applicable series
C3	One-touch fitting for Ø 3.2	One-touch fitting for Ø 8	SV1000
C4	One-touch fitting for Ø 4		
C6	One-touch fitting for Ø 6		
C4	One-touch fitting for Ø 4	One-touch fitting for Ø 10	SV2000
C6	One-touch fitting for Ø 6		
C8	One-touch fitting for Ø 8		
C6	One-touch fitting for Ø 6	One-touch fitting for Ø 12	SV3000
C8	One-touch fitting for Ø 8		
C10	One-touch fitting for Ø 10		
M	A, B ports mixed		

A, B port size (Inch)

Symbol	A, B port	P, E port	Applicable series
N1	One-touch fitting for Ø 1/8"	One-touch fitting for Ø 5/16"	SV1000
N3	One-touch fitting for Ø 5/32"		
N7	One-touch fitting for Ø 1/4"		
N3	One-touch fitting for Ø 5/32"	One-touch fitting for Ø 3/8"	SV2000
N7	One-touch fitting for Ø 1/4"		
N9	One-touch fitting for Ø 5/16"		
N7	One-touch fitting for Ø 1/4"	One-touch fitting for Ø 3/8"	SV3000
N9	One-touch fitting for Ø 5/16"		
N11	One-touch fitting for Ø 3/8"		
M	A, B ports mixed		

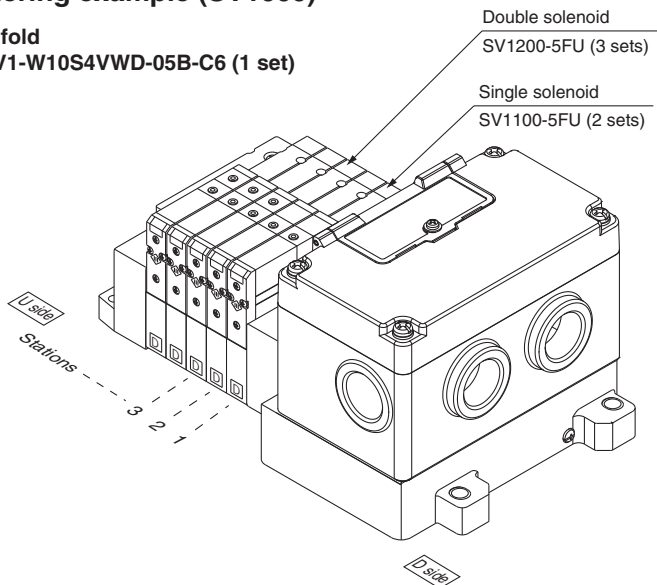
* In the case of mixed specifications (M), indicate separately on the manifold specification sheet.

* Port sizes of X, PE port for external pilot specification (R, RS) are Ø 4 (metric), Ø 5/32" (inch) for SV1000/2000 and Ø 6 (metric) and Ø 1/4" (inch) for SV3000.

How to Order Manifold Assembly

Ordering example (SV1000)

Manifold
SS5V1-W10S4VWD-05B-C6 (1 set)



SS5V1-W10S4VWD-05B-C6 1 set (manifold part no.)
* SV1100-5FU 2 sets (manifold part no.)
* SV1200-5FU 3 sets (manifold part no.)

How to Order Valve

SV 1 1 00 - 5 F - - - - -

Series ●

1	SV1000
2	SV2000
3	SV3000

Type of actuation ●

1	2 position single
2	2 position double
3	3 position closed centre
4	3 position exhaust centre
5	3 position pressure centre
A	4 position dual 3 port valve: N.C./N.C.
B	4 position dual 3 port valve: N.O./N.O.
C	4 position dual 3 port valve: N.C./N.O.

* 4 position dual 3 port valves are applicable to Series SV1000 and SV2000 only.

Pilot type ●

—	Internal pilot
R	External pilot

* External pilot specifications is not available for 4 position dual 3 port valves.

Back pressure check valve ●

—	None
K	Built-in

* Built-in back pressure check valve type is applicable to series SV1000 only.
* Back pressure check valve is not available for 3 position valve.

Rated voltage ●

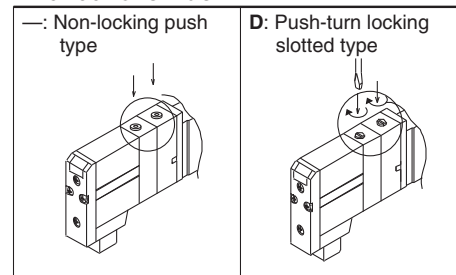
5	24 V DC
---	---------

Note) Available with manifold block for station additions. Refer to page 110.

Made to Order ●

—	—
X90	Main valve fluororubber (Refer to page 125.)

Manual override ●



Light/Surge voltage suppressor ●

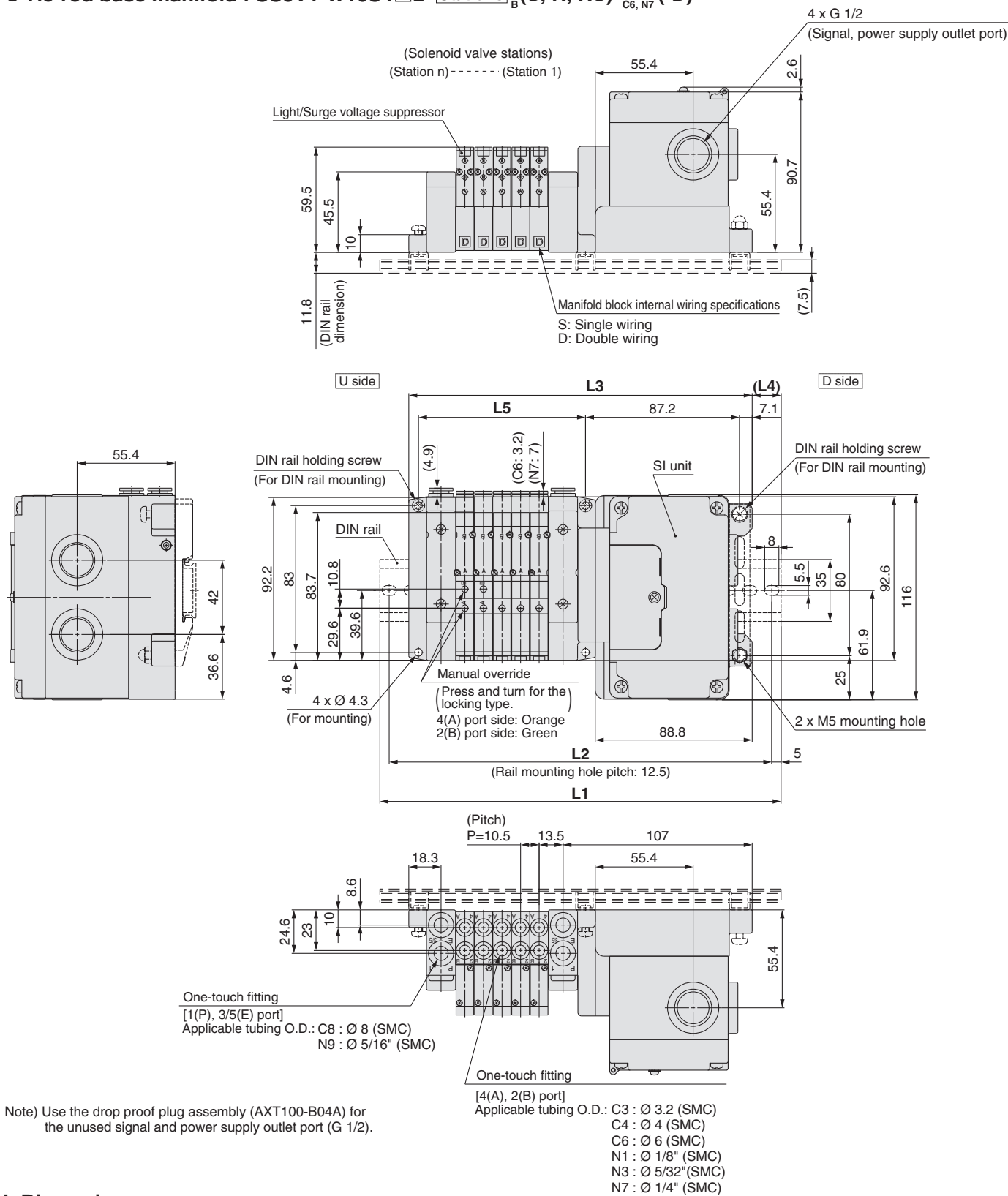
U	With light/surge voltage suppressor
R	With surge voltage suppressor

Note) Refer to Specific Product Precautions 2 on page 127.

Series SV

Dimensions: Series SV1000 for EX126 Integrated-type (For Output) Serial Transmission System

● Tie-rod base manifold : SS5V1-W10S4□D-Stations $\frac{U}{D}$ (S, R, RS)- $\frac{C3, N1}{C4, N3}$ / $\frac{C6, N7}{(-D)}$



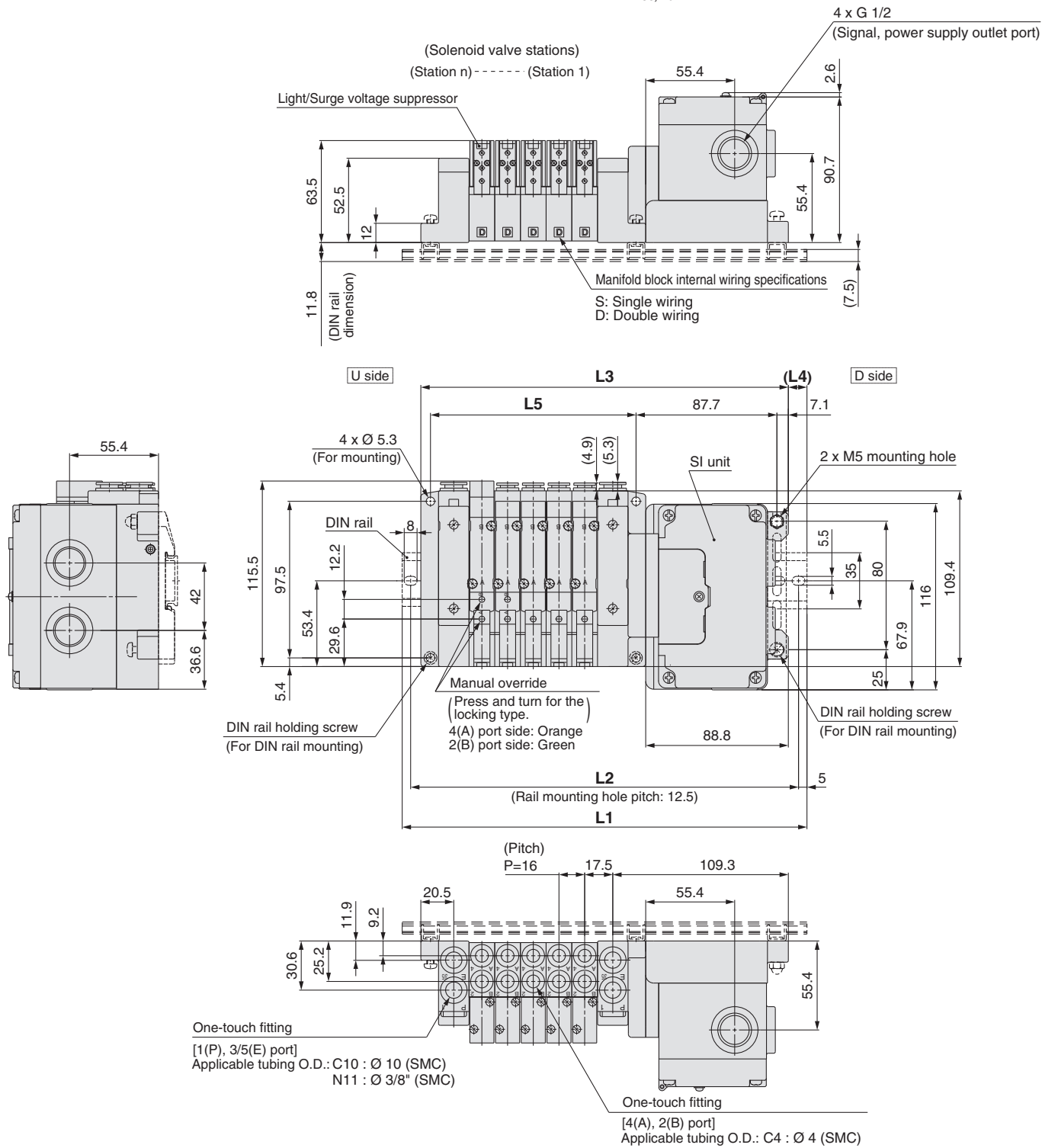
L Dimension

L_n	2	3	4	5	6	7	8	9	10	11	12	13	14	15	16
L1	198	198	210.5	223	235.5	248	260.5	260.5	273	285.5	298	310.5	323	323	335.5
L2	187.5	187.5	200	212.5	225	237.5	250	250	262.5	275	287.5	300	312.5	312.5	325
L3	162.8	173.3	183.8	194.3	204.8	215.3	225.8	236.3	246.8	257.3	267.8	278.3	288.8	299.3	309.8
L4	17.5	12.5	13.5	14.5	15.5	16.5	17.5	12	13	14	15	16	17	12	13
L5	63	73.5	84	94.5	105	115.5	126	136.5	147	157.5	168	178.5	189	199.5	210

n: Stations

Dimensions: Series SV2000 for EX126 Integrated-type (For Output) Serial Transmission System

● Tie-rod base manifold : SS5V2-W10S4 □ D-Stations $\frac{U}{D}$ (S, R, RS) - (C4, N3, C6, N7, C8, N9) (-D)



Note) Use the drop proof plug assembly (AXT100-B04A) for the unused signal and power supply outlet port (G 1/2).

C4 : Ø 4 (SMC)
C6 : Ø 6 (SMC)
C8 : Ø 8 (SMC)
N3 : Ø 5/32" (SMC)
N7 : Ø 1/4" (SMC)
N9 : Ø 5/16" (SMC)

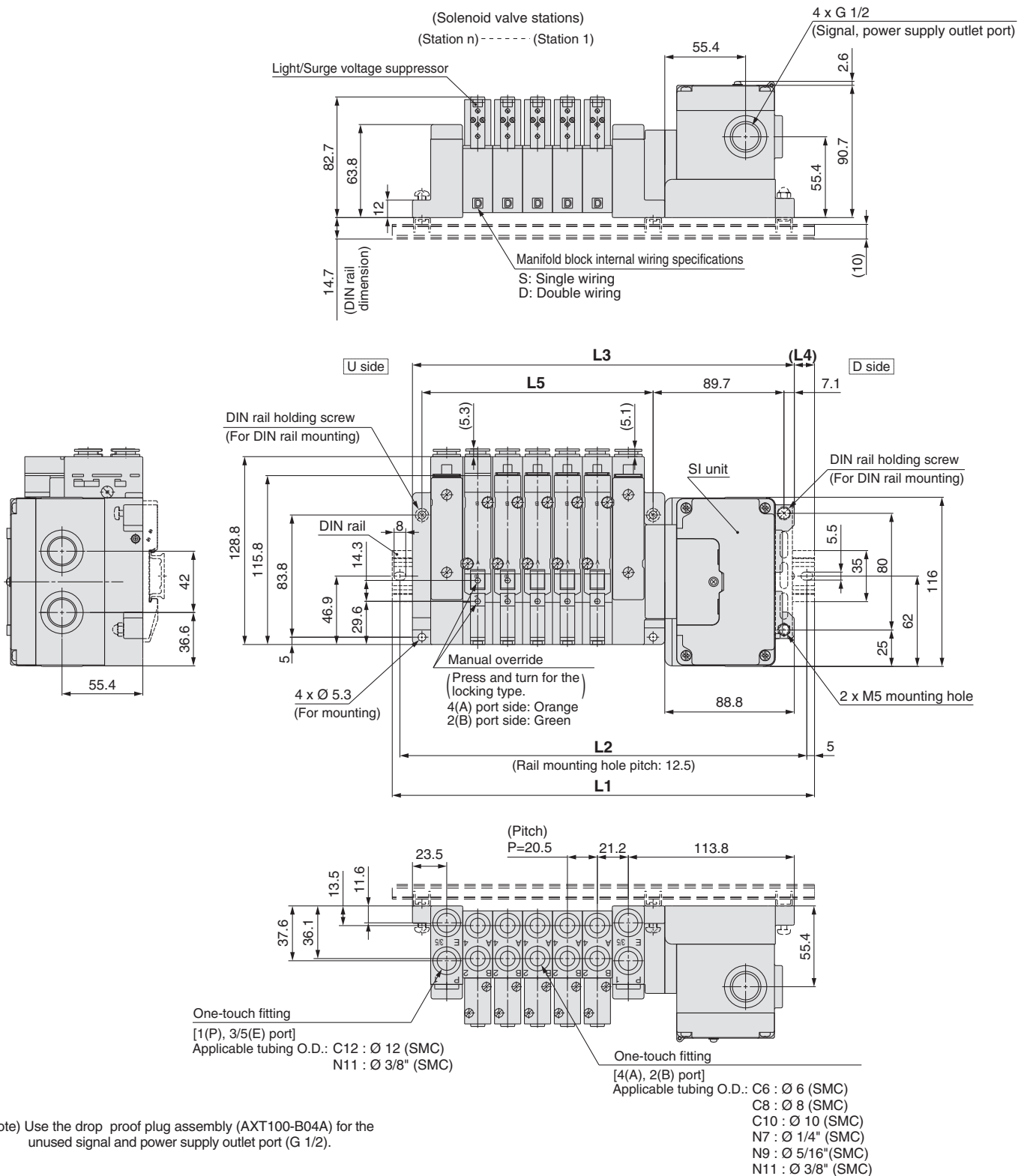
L Dimension

L	n : Stations															
	2	3	4	5	6	7	8	9	10	11	12	13	14	15	16	
L1	210.5	223	248	260.5	273	285.5	310.5	323	335.5	348	373	385.5	398	423	435.5	
L2	200	212.5	237.5	250	262.5	275	300	312.5	325	337.5	362.5	375	387.5	412.5	425	
L3	180.8	196.8	212.8	228.8	244.8	260.8	276.8	292.8	308.8	324.8	340.8	356.8	372.8	388.8	404.8	
L4	15	13	17.5	16	14	12.5	17	15	13.5	11.5	16	14.5	12.5	17	15.5	
L5	80	96	112	128	144	160	176	192	208	224	240	256	272	288	304	

Series SV

Dimensions: Series SV3000 for EX126 Integrated-type (For Output) Serial Transmission System

● Tie-rod base manifold : SS5V3-W10S4 □ D-Stations $\frac{U}{D}$ (S, R, RS)- $\frac{C6, N7}{C8, N9}$ $\frac{C10, N11}{(-D)}$



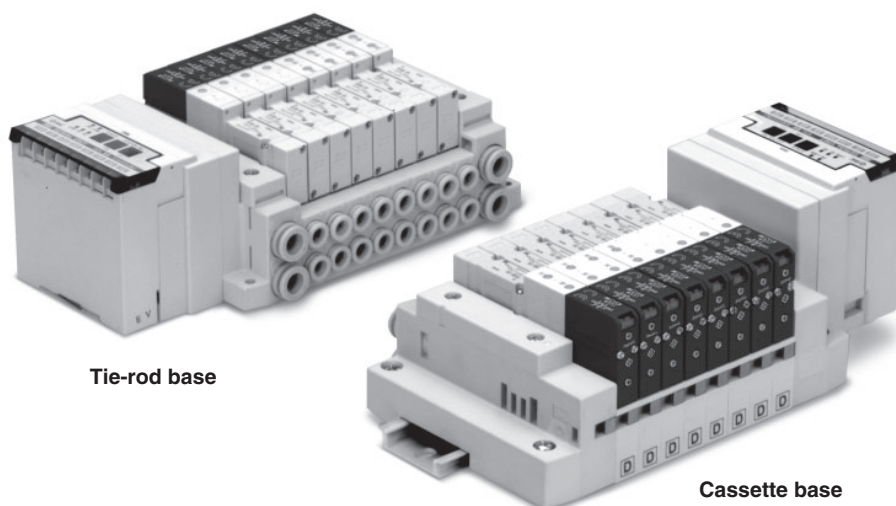
L Dimension

n : Stations

L \ n	2	3	4	5	6	7	8	9	10	11	12	13	14	15	16
L1	235.5	248	273	285.5	310.5	335.5	348	373	398	410.5	435.5	460.5	473	498	510.5
L2	225	237.5	262.5	275	300	325	337.5	362.5	387.5	400	425	450	462.5	487.5	500
L3	200.3	220.8	241.3	261.8	282.3	302.8	323.3	343.8	364.3	384.8	405.3	425.8	446.3	466.8	487.3
L4	17.5	13.5	16	12	14	16.5	12.5	14.5	17	13	15	17.5	13.5	15.5	11.5
L5	97	117.5	138	158.5	179	199.5	220	240.5	261	281.5	302	322.5	343	363.5	384

Integrated-type (For Output) Serial Transmission System

Series EX120



Tie-rod base

Cassette base

Applicable series	Cassette base manifold SV1000/SV2000
	Tie-rod base manifold SV1000/SV2000/SV3000/SV4000
• Number of outputs points: 16 points	

EX120 Integrated-type (For Output) Serial Transmission System

Series SV



How to Order Manifold

Series

1	SV1000
2	SV2000
3	SV3000
4	SV4000

Mounting

—	Direct mounting
D	DIN rail mounting (With DIN rail)
D0*	DIN rail mounting (Without DIN rail)
D3	For 3 stations
:	:
D16	For 16 stations

* In the case of D0, only DIN rail fittings are attached.

Tie-rod base

Cassette base

SI Unit

1	SV1000
2	SV2000

Valve stations

02	2 stations
:	:
08	8 stations
:	:
02	2 stations
:	:
16	16 stations

DIN rail length specified

—	Standard length
3	For 3 stations
:	:
16	For 16 stations

SUP/EXH block assembly specifications

—	Internal pilot
S	Internal pilot/Built-in silencer
R	External pilot
RS	External pilot/Built-in silencer

P, E port location

U	U side (2 to 10 stations)
D	D side (2 to 10 stations)
B	Both sides (2 to 16 stations)

Symbol Specifications

Symbol	Specifications
0	Without SI unit
Q	DeviceNet
R1	OMRON Corp.: CompoBus/S (16 output points)
R2	OMRON Corp.: CompoBus/S (8 output points)
V	CC-LINK
ZB ^{Note}	CompoNet™ (Positive common)
ZBN ^{Note}	CompoNet™ (Negative common)

Symbol Stations Note

Symbol	Stations	Note
02	2 stations	Double wiring specifications ⁽¹⁾
:	:	
08	8 stations	
02	2 stations	Specified layout ⁽²⁾ (up to 16 solenoids possible.)
:	:	
16	16 stations	

Note Communication connector (for the opposite side) is not provided, order it separately.

Note 1 Double wiring specifications: Single, double, 3 position and 4 position solenoid valves can be used on all manifold stations. Use of a single solenoid will result in an unused control signal. If this is not desired, order with a specified layout.

Note 2 Specified layout: Indicate wiring specifications on a manifold specification sheet. (Note that double, 3 and 4 position valves cannot be used where single solenoid wiring has been specified.)

SI Unit Part No.

Symbol	Protocol type	SI unit part no.
Q	DeviceNet	EX120-SDN1
R1	OMRON Corp.: CompoBus/S (16 output points)	EX120-SCS1
R2	OMRON Corp.: CompoBus/S (8 output points)	EX120-SCS2
V	CC-LINK	EX120-SMJ1
ZB	CompoNet™ (Positive common)	EX120-SCM1
ZBN	CompoNet™ (Negative common)	EX120-SCM3

Refer to the Operation Manual for the details of EX120 Integrated-type (For Output) Serial Transmission System. Please download the Operation Manual via our website, <http://www.smc.eu>.

A, B port size (Metric)

Symbol	A, B port	P, E port	Applicable series
C3	One-touch fitting for Ø 3.2	One-touch fitting for Ø 8	SV1000
C4	One-touch fitting for Ø 4		
C6	One-touch fitting for Ø 6	One-touch fitting for Ø 10	SV2000
C4	One-touch fitting for Ø 4		
C6	One-touch fitting for Ø 6	One-touch fitting for Ø 12	SV3000
C8	One-touch fitting for Ø 8		
C8	One-touch fitting for Ø 8	One-touch fitting for Ø 12	SV4000
C10	One-touch fitting for Ø 10		
C12	One-touch fitting for Ø 12	Rc 3/8	SV4000
02	Rc 1/4		
03	Rc 3/8		
02F	G 1/4		
03F	G 3/8	G 3/8	SV4000
M	A, B ports mixed		

A, B port size (Inch)

Symbol	A, B port	P, E port	Applicable series
N1	One-touch fitting for Ø 1/8"	One-touch fitting for Ø 5/16"	SV1000
N3	One-touch fitting for Ø 5/32"		
N7	One-touch fitting for Ø 1/4"	One-touch fitting for Ø 3/8"	SV2000
N3	One-touch fitting for Ø 5/32"		
N7	One-touch fitting for Ø 1/4"	One-touch fitting for Ø 3/8"	SV3000
N9	One-touch fitting for Ø 5/16"		
N7	One-touch fitting for Ø 1/4"	One-touch fitting for Ø 3/8"	SV4000
N9	One-touch fitting for Ø 5/16"		
N11	One-touch fitting for Ø 3/8"	NPT 3/8	SV4000
N9	One-touch fitting for Ø 5/16"		
N11	One-touch fitting for Ø 3/8"	NPTF 3/8	SV4000
02N	NPT 1/4		
03N	NPT 3/8	NPTF 3/8	SV4000
02T	NPTF 1/4		
03T	NPTF 3/8		
M	A, B ports mixed		

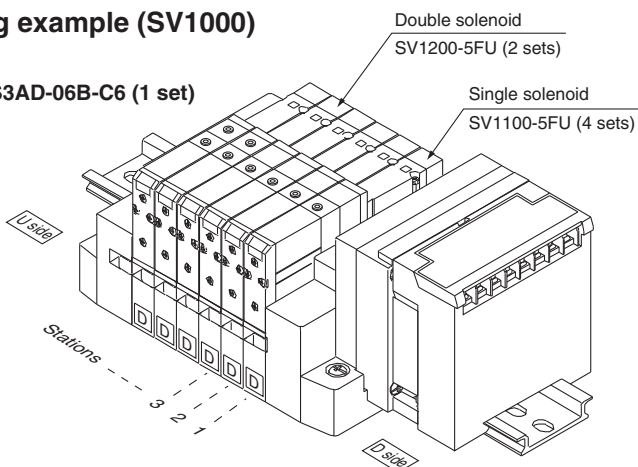
* In the case of mixed specifications (M), indicate separately on the manifold specification sheet.
* Port sizes of X, PE port for external pilot specification (R, RS) are Ø 4 (metric), Ø 5/32" (inch) for SV1000/2000 and Ø 6 (metric) and Ø 1/4" (inch) for SV3000/4000.



How to Order Manifold Assembly

Ordering example (SV1000)

Manifold
SS5V1-16S3AD-06B-C6 (1 set)



SS5V1-16S3CD-06B-C6 1 set (manifold part no.)
* SV1100-5FU 4 sets (Single solenoid part no.)
* SV1200-5FU 2 sets (Double solenoid part no.)

How to Order Solenoid Valves

SV 1 1 00 - 5 F - - - - -

Series

1	SV1000
2	SV2000
3	SV3000
4	SV4000

Type of actuation

1	2 position single
2	2 position double
3	3 position closed centre
4	3 position exhaust centre
5	3 position pressure centre
A	4 position dual 3 port valve: N.C./N.C.
B	4 position dual 3 port valve: N.O./N.O.
C	4 position dual 3 port valve: N.C./N.O.

* 4 position dual 3 port valves are applicable to Series SV1000 and SV2000 only.

Pilot type

-	Internal pilot
R	External pilot

* External pilot specifications is not available for 4 position dual 3 port valves.

Rated voltage

5	24 V DC
---	---------

Back pressure check valve

-	None
K	Built-in

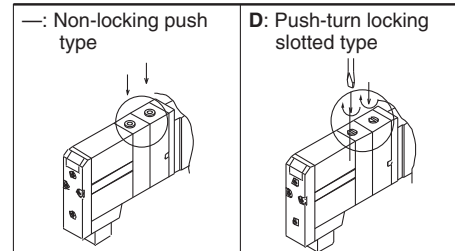
* Built-in back pressure check valve type is applicable to Series SV1000 only.
* Back pressure check valve is not available for 3 position Valve.

Note) Available with manifold block for station additions. Refer to pages 104 and 110.

Made to Order

-	-
X90	Main valve fluoro rubber (Refer to page 125.)

Manual override



Light/Surge voltage suppressor

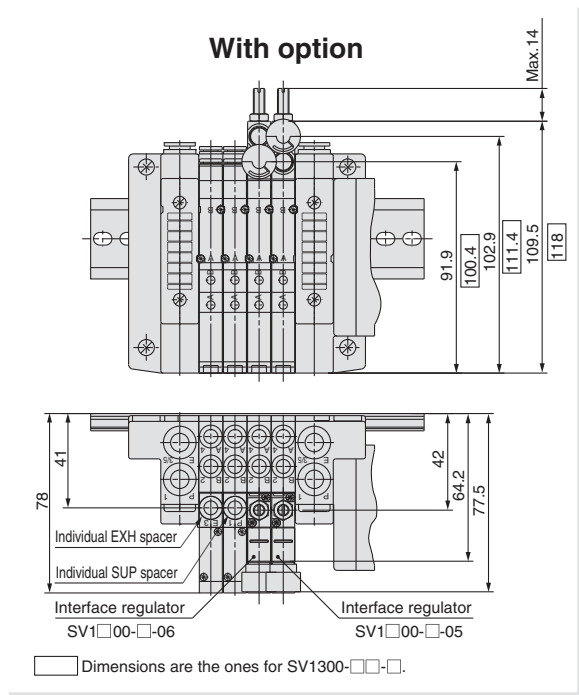
U	With light/surge voltage suppressor
R	With surge voltage suppressor

Note) Refer to Specific Product Precautions 2 on page 127.

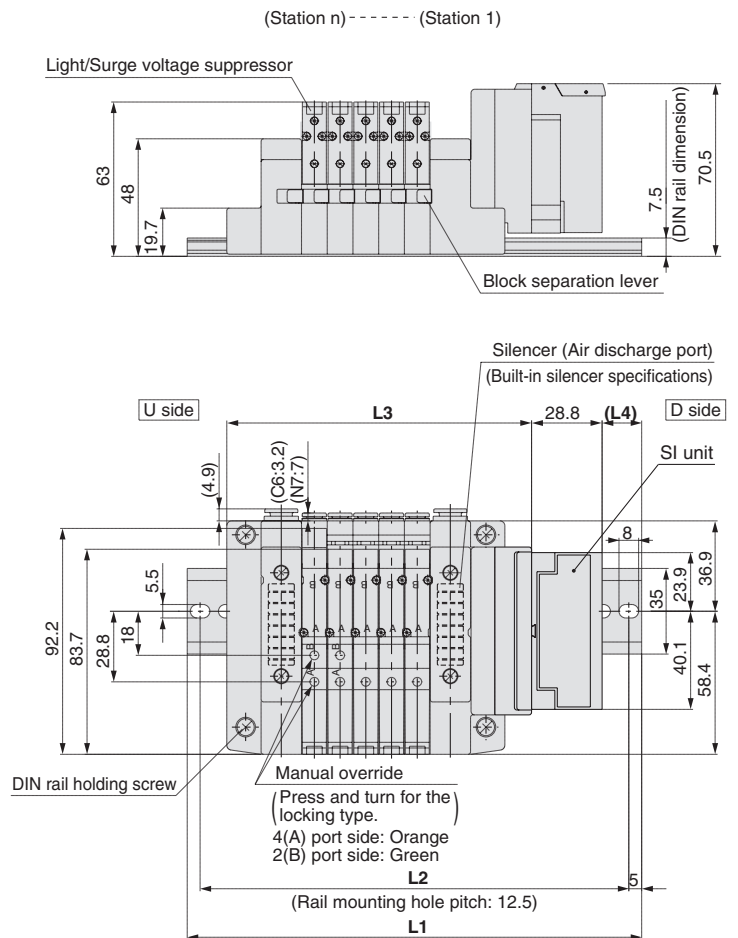
Series SV

Dimensions: Series SV1000 for EX120 Integrated-type (For Output) Serial Transmission System

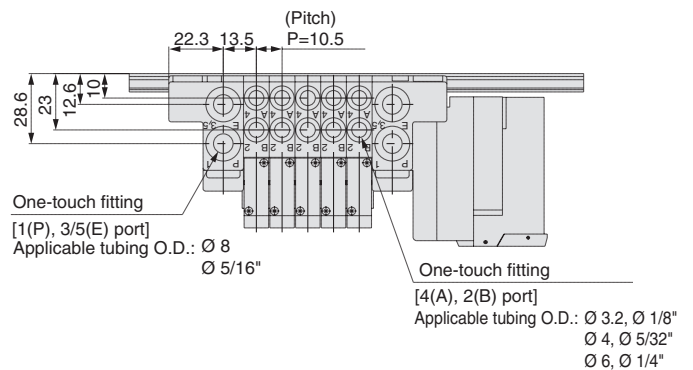
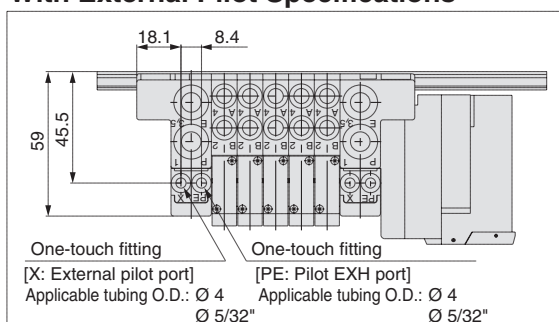
● Cassette base manifold : SS5V1-16S3 □ D- Stations $\frac{U}{D}$ (S, R, RS)- $\frac{C3, N1}{C4, N3}$
 $\frac{C6, N7}$



- When P, E port outlets are indicated on the U side or D side, the P, E ports on the opposite side are plugged.
- External pilot port positions and silencer discharge port positions are the same as P, E port outlet positions.



With External Pilot Specifications



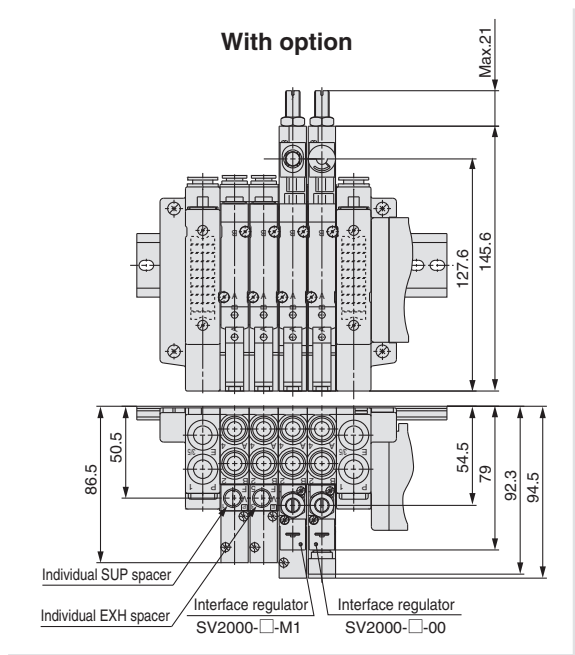
L Dimension

$\frac{L}{n}$	2	3	4	5	6	7	8	9	10	11	12	13	14	15	16
L1	148	160.5	173	185.5	198	198	210.5	223	235.5	248	260.5	260.5	273	285.5	298
L2	137.5	150	162.5	175	187.5	187.5	200	212.5	225	237.5	250	250	262.5	275	287.5
L3	92.9	103.4	113.9	124.4	134.9	145.4	155.9	166.4	176.9	187.4	197.9	208.4	218.9	229.4	239.9
L4	13	14	15	16	17	12	13	14	15	16	17	11.5	12.5	13.5	14.5

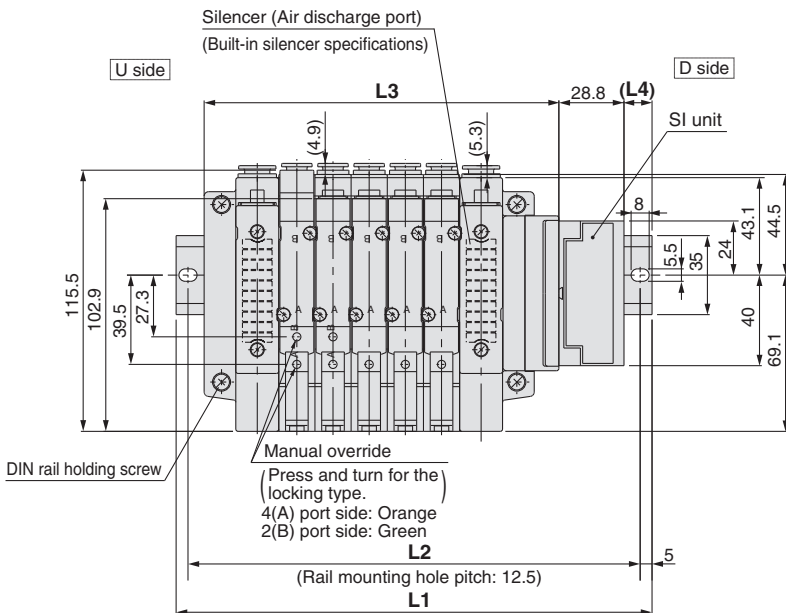
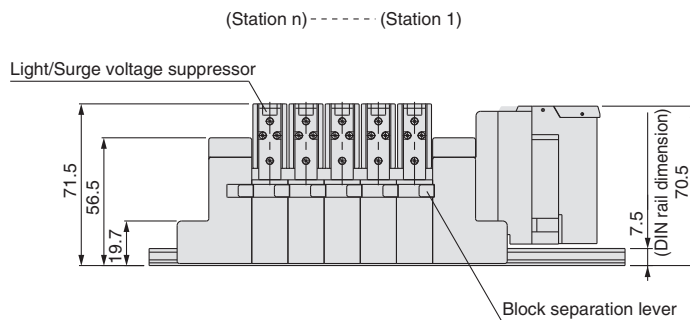
n : Stations

Dimensions: Series SV2000 for EX120 Integrated-type (For Output) Serial Transmission System

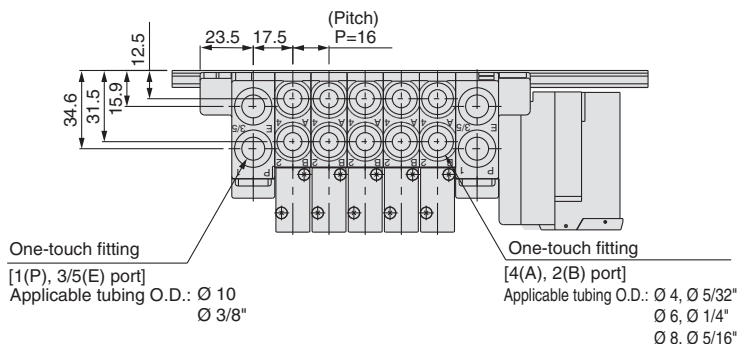
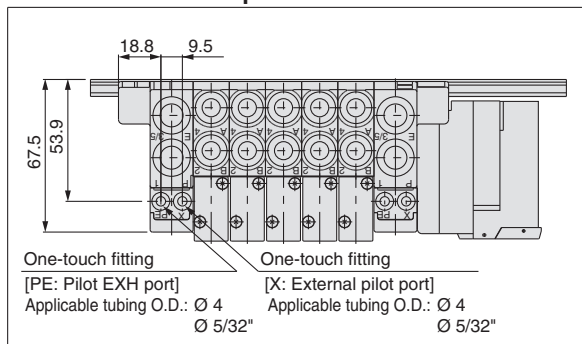
● **Cassette base manifold : SS5V2-16S3□D- Stations** $\frac{U}{D}$ (S, R, RS)- $\frac{C4, N3}{C6, N7}$ $\frac{C8, N9}{C8, N9}$



- When P, E port outlets are indicated on the U side or D side, the P, E ports on the opposite side are plugged.
- External pilot port positions and silencer discharge port positions are the same as P, E port outlet positions.



With External Pilot Specifications



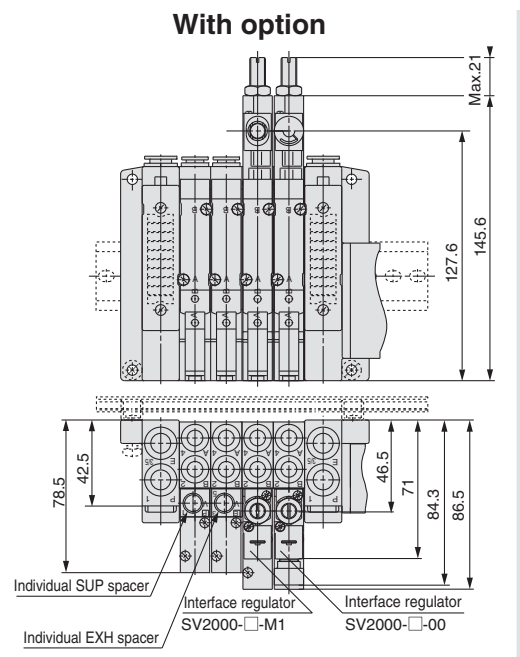
L Dimension

n : Stations

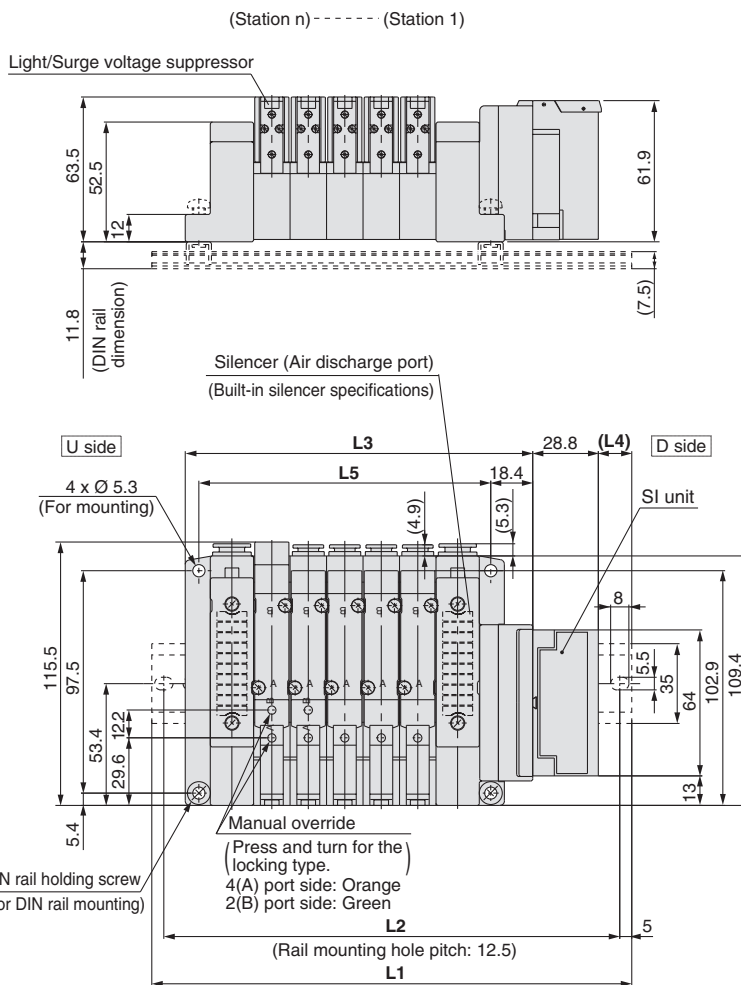
L \ n	2	3	4	5	6	7	8	9	10	11	12	13	14	15	16
L1	173	185.5	198	210.5	235.5	248	260.5	273	298	310.5	323	348	360.5	373	385.5
L2	162.5	175	187.5	200	225	237.5	250	262.5	287.5	300	312.5	337.5	350	362.5	375
L3	108.9	124.9	140.9	156.9	172.9	188.9	204.9	220.9	236.9	252.9	268.9	284.9	300.9	316.9	332.9
L4	17.5	16	14	12.5	17	15	13.5	11.5	16	14.5	12.5	17	15.5	13.5	12

Dimensions: Series SV2000 for EX120 Integrated-type (For Output) Serial Transmission System

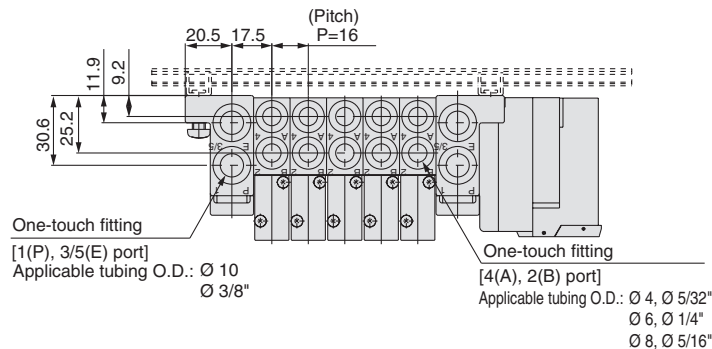
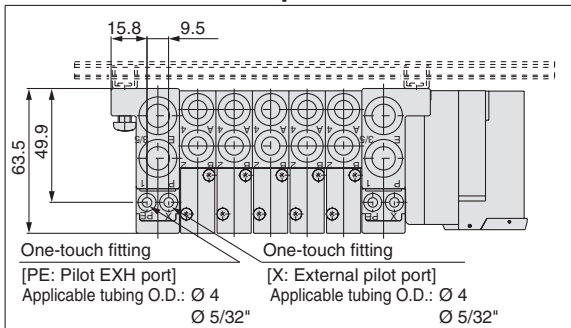
● Tie-rod base manifold : SS5V2-10S3 □ D- Stations $\frac{U}{D}$ (S, R, RS)- C4, N3 C6, N7 C8, N9 (-D)



- When P, E port outlets are indicated on the U side or D side, the P, E ports on the opposite side are plugged.
- External pilot port positions and silencer discharge port positions are the same as P, E port outlet positions.



With External Pilot Specifications



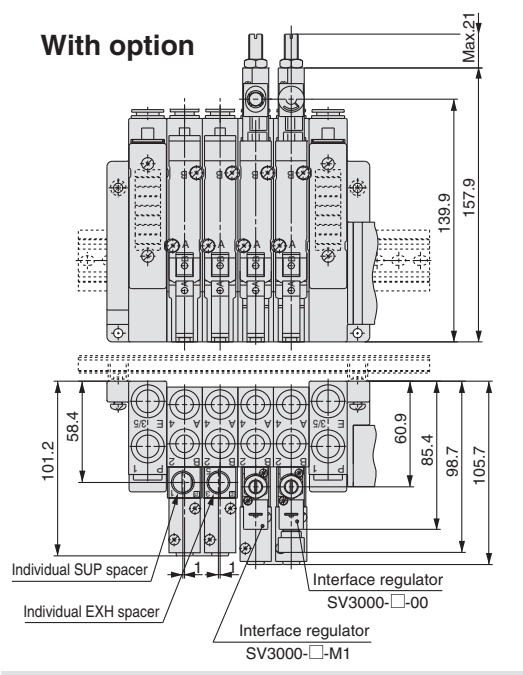
L Dimension

L \ n	n : Stations															
	2	3	4	5	6	7	8	9	10	11	12	13	14	15	16	
L1	160.5	173	198	210.5	223	248	260.5	273	285.5	310.5	323	335.5	360.5	373	385.5	
L2	150	162.5	187.5	200	212.5	237.5	250	262.5	275	300	312.5	325	350	362.5	375	
L3	104.4	120.4	136.4	152.4	168.4	184.4	200.4	216.4	232.4	248.4	264.4	280.4	296.4	312.4	328.4	
L4	13.5	12	16.5	14.5	13	17.5	15.5	14	12	16.5	15	13	17.5	16	14	
L5	80	96	112	128	144	160	176	192	208	224	240	256	272	288	304	

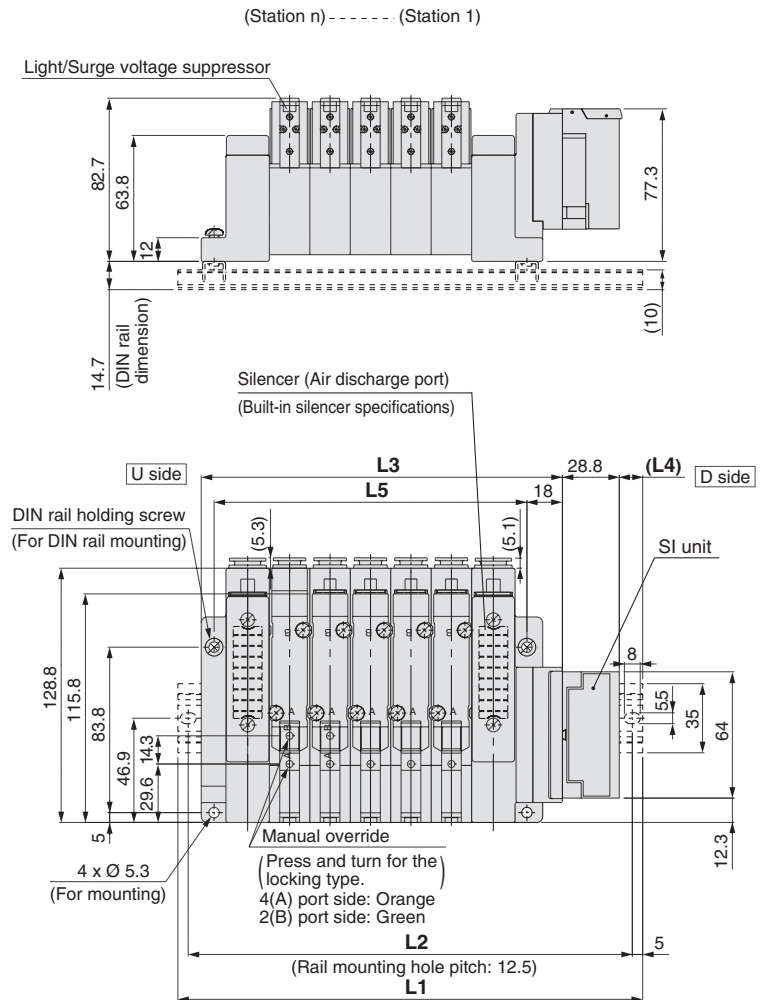
Series SV

Dimensions: Series SV3000 for EX120 Integrated-type (For Output) Serial Transmission System

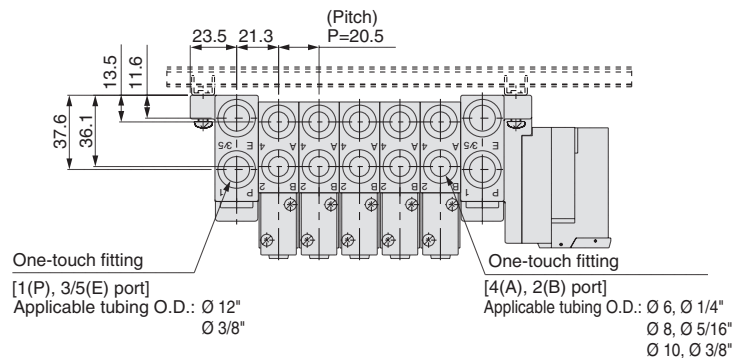
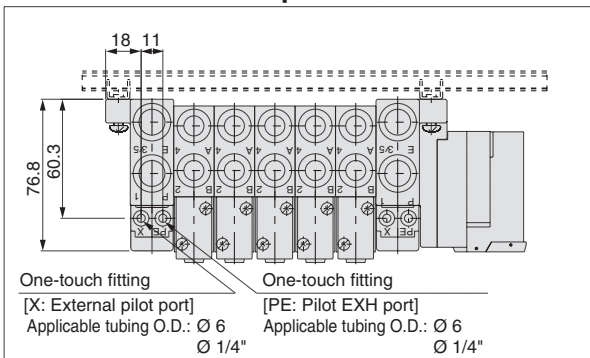
● Tie-rod base manifold : SS5V3-10S3 □ D- Stations $\frac{U}{D}$ (S, R, RS) - $\frac{C6, N7}{C8, N9}$ / $\frac{C10, N11}{C10, N11}$ (-D)



- When P, E port outlets are indicated on the U side or D side, the P, E ports on the opposite side are plugged.
- External pilot port positions and silencer discharge port positions are the same as P, E port outlet positions.



With External Pilot Specifications



L Dimension

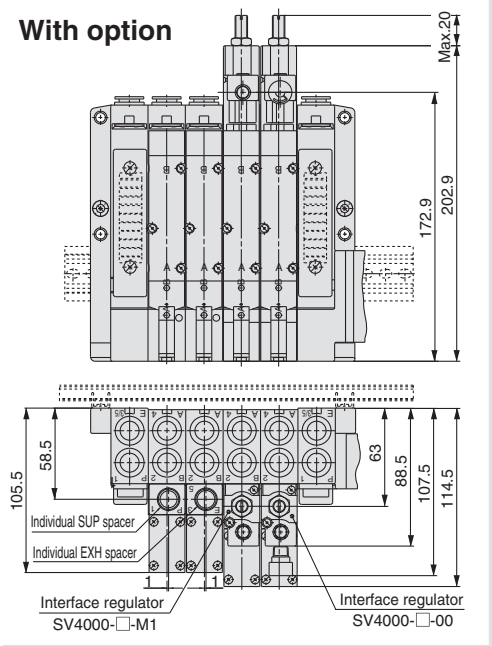
$\frac{L}{n}$	2	3	4	5	6	7	8	9	10	11	12	13	14	15	16
L1	185.5	198	223	235.5	260.5	285.5	298	323	348	360.5	385.5	410.5	423	448	460.5
L2	175	187.5	212.5	225	250	275	287.5	312.5	337.5	350	375	400	412.5	437.5	450
L3	121.5	142	162.5	183	203.5	224	244.5	265	285.5	306	326.5	347	367.5	388	408.5
L4	17.5	13.5	16	12	14	16.5	12.5	14.5	17	13	15	17.5	13.5	15.5	11.5
L5	97	117.5	138	158.5	179	199.5	220	240.5	261	281.5	302	322.5	343	363.5	384

n : Stations

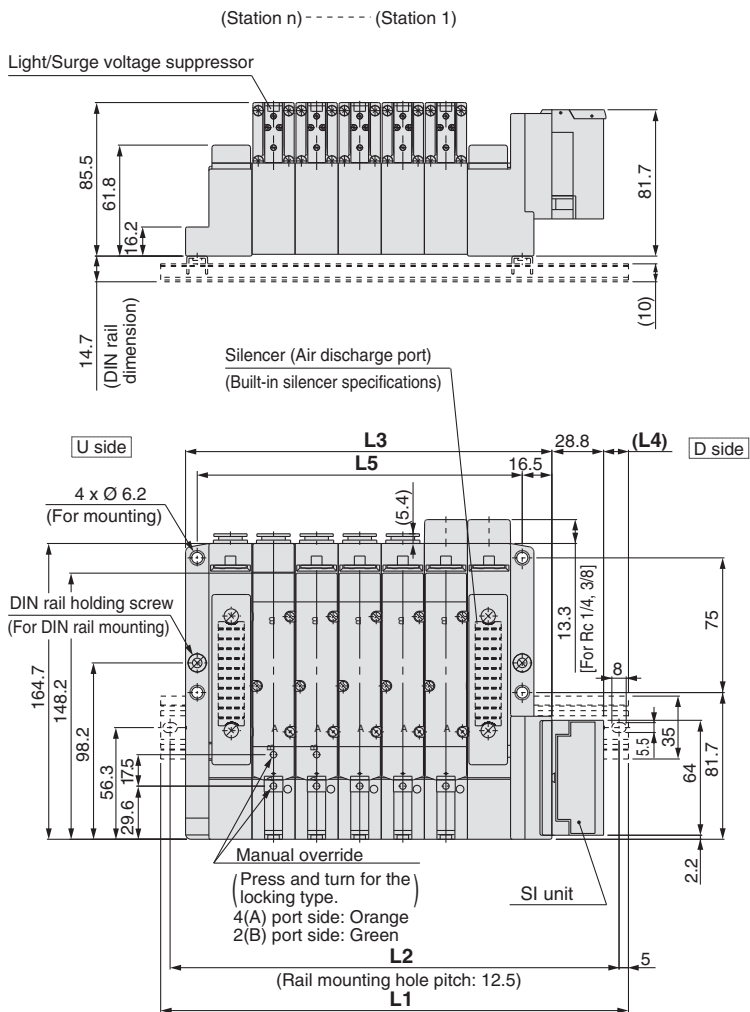
Dimensions: Series SV4000 for EX120 Integrated-type (For Output) Serial Transmission System

● Tie-rod base manifold : SS5V4-10S3 □ D-**Stations** $\frac{U}{D}$ (S, R, RS)- $\frac{02, C8, N9, C10, N11}{03, C12}$ (-D)

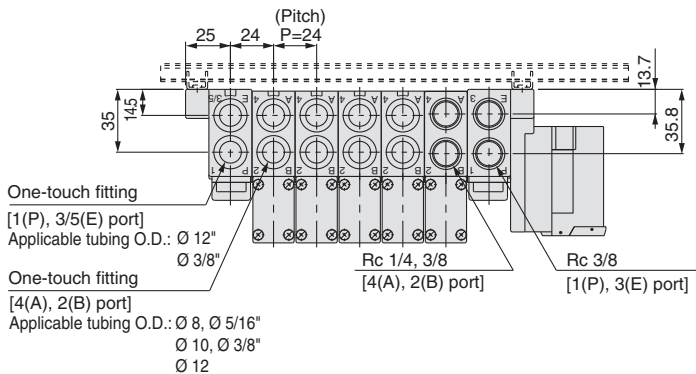
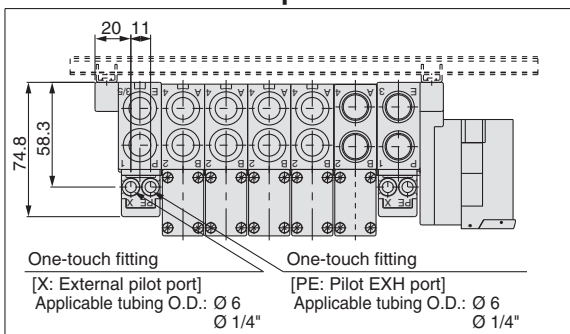
With option



- When P, E port outlets are indicated on the U side or D side, the P, E ports on the opposite side are plugged.
- External pilot port positions and silencer discharge port positions are the same as P, E port outlet positions.



With External Pilot Specifications



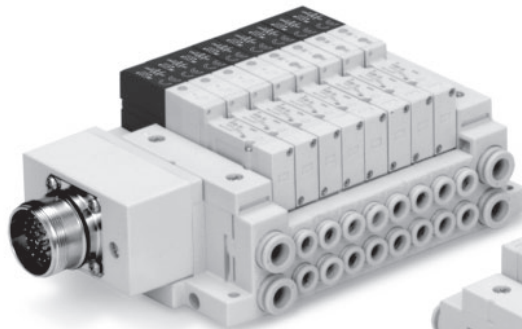
L Dimension

n : Stations

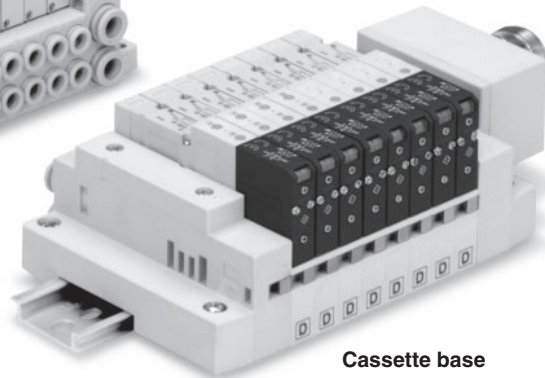
L \ n	2	3	4	5	6	7	8	9	10	11	12	13	14	15	16
L1	185.5	210.5	235.5	260.5	285.5	310.5	335.5	360.5	385.5	410.5	435.5	448	473	498	523
L2	175	200	225	250	275	300	325	350	375	400	425	437.5	462.5	487.5	512.5
L3	132	156	180	204	228	252	276	300	324	348	372	396	420	444	468
L4	12.5	13	13.5	14	14.5	15	15.5	16	16.5	17	17.5	11.5	12	12.5	13
L5	109	133	157	181	205	229	253	277	301	325	349	373	397	421	445

Circular Connector

IP67 compliant



Tie-rod base



Cassette base

Applicable series

**Cassette base manifold
SV1000/SV2000**

**Tie-rod base manifold
SV1000/SV2000/SV3000/SV4000**

• Number of connectors: 26 pins

Circular Connector Series SV



How to Order Manifold

Note 1) Double wiring specifications: Single, double, 3 position and 4 position solenoid valves can be used at all of the manifold stations. Use of a single solenoid will result in an unused control signal. If this is not desired, order with a specified layout.

Note 2) Specified layout: Indicate wiring specifications on the manifold specification sheet. (Note that double, 3 and 4 position valves cannot be used where single solenoid wiring has been specified.)

● Tie-rod base

SS5V 1 - W 10CD - 05 U

● Cassette base

SS5V 1 - W 16CD - 05 U

Series

1	SV1000
2	SV2000
3	SV3000
4	SV4000

Valve stations

Symbol	Stations	Note
02	2 stations	Double wiring specifications (1)
⋮	⋮	
12	12 stations	Specified layout (2)
⋮	⋮	
20	20 stations	(Up to 24 solenoids possible.)

● Mounting

—	Direct mounting
D	DIN rail mounting (With DIN rail)
D0	DIN rail mounting (Without DIN rail)
D3	For 3 stations
⋮	⋮
D20	For 20 stations

When a longer DIN rail is desired than the specified stations. (Specify a longer rail than the standard length.)

* In the case of D0, only DIN rail fittings are attached.

● DIN rail length specified

—	Standard length
3	For 3 stations
⋮	⋮
20 ^{Note)}	For 20 stations

(Specify a longer rail than the standard length.)

Note) Able to specify the length for 3 stations up to 18 stations for SV1000, which is available with 18 station at the maximum.

Series

1	SV1000
2	SV2000

Enclosure
IP67 specifications

Valve stations Type 16: Series SV1000

Symbol	Stations	Note
02	2 stations	Double wiring specifications (1)
⋮	⋮	
09	9 stations	Specified layout (2)
⋮	⋮	
18	18 stations	(up to 18 solenoids possible.)

Type 16: Series SV2000

Symbol	Stations	Note
02	2 stations	Double wiring specifications (1)
⋮	⋮	
12	12 stations	Specified layout (2)
⋮	⋮	
20	20 stations	(up to 24 solenoids possible.)

Note 1) Double wiring specifications: Single, double, 3 position and 4 position solenoid valves can be used at all of the manifold stations. Use of a single solenoid will result in an unused control signal. If this is not desired, order with a specified layout.

Note 2) Specified layout: Indicate wiring specifications on the manifold specification sheet. (Note that double, 3 and 4 position valves cannot be used where single solenoid wiring has been specified.)

● P, E port location

U	U side (2 to 10 stations)
D	D side (2 to 10 stations)
B	Both sides (2 to 20 stations)

● SUP/EXH block assembly specifications

—	Internal pilot
S*	Internal pilot/Built-in silencer
R	External pilot
RS*	External pilot/Built-in silencer

Note) When the built-in silencer type is used, keep the exhaust port from coming in direct contact with water or other liquids.

● A, B port size (Metric)

Symbol	Specifications	P, E port	Applicable series
C3	One-touch fitting for Ø 3.2	One-touch fitting for Ø 8	SV1000
C4	One-touch fitting for Ø 4		
C6	One-touch fitting for Ø 6	One-touch fitting for Ø 10	SV2000
C4	One-touch fitting for Ø 4		
C6	One-touch fitting for Ø 6	One-touch fitting for Ø 12	SV3000
C8	One-touch fitting for Ø 8		
C6	One-touch fitting for Ø 6	One-touch fitting for Ø 12	SV4000
C8	One-touch fitting for Ø 8		
C10	One-touch fitting for Ø 10	One-touch fitting for Ø 12	SV4000
C8	One-touch fitting for Ø 8		
C10	One-touch fitting for Ø 10	One-touch fitting for Ø 12	SV4000
C12	One-touch fitting for Ø 12		
02	Rc 1/4	Rc 3/8	SV4000
03	Rc 3/8		
02F	G 1/4	G 3/8	SV4000
03F	G 3/8		
M	A, B ports mixed		

● A, B port size (Inch)

Symbol	Specifications	P, E port	Applicable series
N1	One-touch fitting for Ø 1/8"	One-touch fitting for Ø 5/16"	SV1000
N3	One-touch fitting for Ø 5/32"		
N7	One-touch fitting for Ø 1/4"	One-touch fitting for Ø 3/8"	SV2000
N3	One-touch fitting for Ø 5/32"		
N7	One-touch fitting for Ø 1/4"	One-touch fitting for Ø 3/8"	SV3000
N9	One-touch fitting for Ø 5/16"		
N11	One-touch fitting for Ø 3/8"	One-touch fitting for Ø 3/8"	SV4000
N9	One-touch fitting for Ø 5/16"		
N11	One-touch fitting for Ø 3/8"	NPT 3/8	SV4000
02N	NPT 1/4		
03N	NPT 3/8	NPTF 3/8	SV4000
02T	NPTF 1/4		
03T	NPTF 3/8	A, B ports mixed	
M	A, B ports mixed		

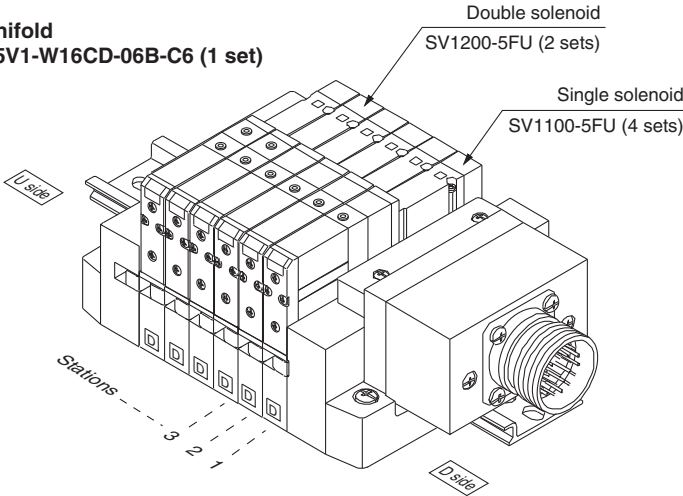
* In the case of mixed specifications (M), indicate separately on the manifold specification sheet.

* Port sizes of X, PE port for external pilot specification (R, RS) are Ø 4 (metric), Ø 5/32" (inch) for SV1000/2000 and Ø 6 (metric) and Ø 1/4" (inch) for SV3000/4000.

How to Order Manifold Assembly

Ordering example (SV1000)

Manifold
SS5V1-W16CD-06B-C6 (1 set)



SS5V1-W16CD-06B-C6.....1 set (Manifold part no.)
 * SV1100-5FU.....4 sets (Single solenoid part no.)
 * SV1200-5FU.....2 sets (Double solenoid part no.)

How to Order Solenoid Valves

SV 1 1 0 0 - 5 F

Series

1	SV1000
2	SV2000
3	SV3000
4	SV4000

Type of actuation

1	2 position single
2	2 position double
3	3 position closed centre
4	3 position exhaust centre
5	3 position pressure centre
A	4 position dual 3 port valve: N.C./N.C.
B	4 position dual 3 port valve: N.O./N.O.
C	4 position dual 3 port valve: N.C./N.O.

* 4 position dual 3 port valves are applicable to Series SV1000 and SV2000 only.

Pilot type

—	Internal pilot
R	External pilot

* External pilot specifications is not available for 4 position dual 3 port valves.

Back pressure check valve

—	None
K	Built-in

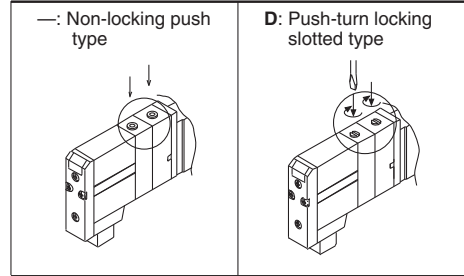
* Built-in back pressure check valve type is applicable to series SV1000 only.
 * Back pressure check valve is not available for 3 position valve.

Note)
 Note) Available with manifold block for station additions. Refer to pages 104 and 110.

Made to Order

—	—
X90	Main valve fluororubber (Refer to page 125.)

Manual override



Light/Surge voltage suppressor

U	With light/surge voltage suppressor
R	With surge voltage suppressor

Rated voltage

5	24 V DC
6	12 V DC

Note) Refer to Specific Product Precautions 2 on page 127.

Manifold Electrical Wiring

10C/16C Circular Connector Type (26 pins)

	Terminal no.	Polarity
Station 1	SOLa 1	(-) (+)
	SOLb 2	(-) (+)
Station 2	SOLa 3	(-) (+)
	SOLb 4	(-) (+)
Station 3	SOLa 5	(-) (+)
	SOLb 6	(-) (+)
Station 4	SOLa 7	(-) (+)
	SOLb 8	(-) (+)
Station 5	SOLa 9	(-) (+)
	SOLb 10	(-) (+)
Station 6	SOLa 11	(-) (+)
	SOLb 12	(-) (+)
Station 7	SOLa 13	(-) (+)
	SOLb 14	(-) (+)
Station 8	SOLa 15	(-) (+)
	SOLb 16	(-) (+)
Station 9	SOLa 17	(-) (+)
	SOLb 18	(-) (+)
Station 10	SOLa 19	(-) (+)
	SOLb 20	(-) (+)
Station 11	SOLa 21	(-) (+)
	SOLb 22	(-) (+)
Station 12	SOLa 23	(-) (+)
	SOLb 24	(-) (+)
	COM. 25	(+) (-)
	COM. 26	(+) (-)

Positive common specification Negative common specification

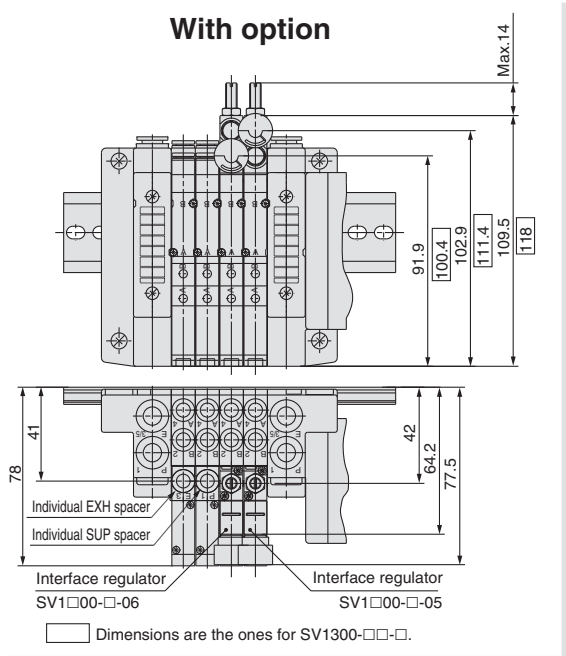
- This circuit has double wiring specifications for up to 12 stations. Since the usable number of solenoids differs depending on the manifold type, refer to the table below. In the case of single solenoids, connect to SOL. A. Furthermore, when wiring is specified on a manifold specification sheet, connections are made without skipping any connectors, and connections are made without skipping any connectors, and signals A for single and A, B for double are in order 1 → 2 → 3 → 4, etc.
- Stations are counted from D side (connector side) as the 1st.
- Since solenoid valves do not have polarity, either the +COM or -COM can be used.

Usable No. of Solenoids

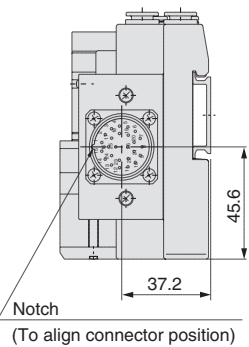
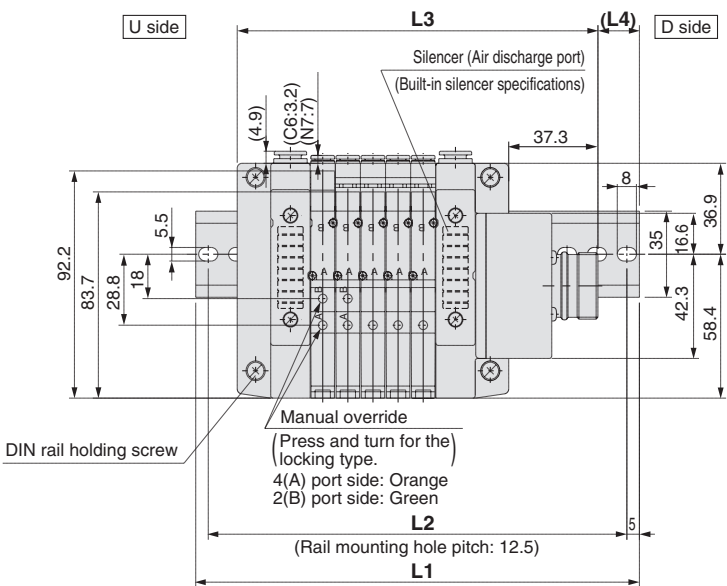
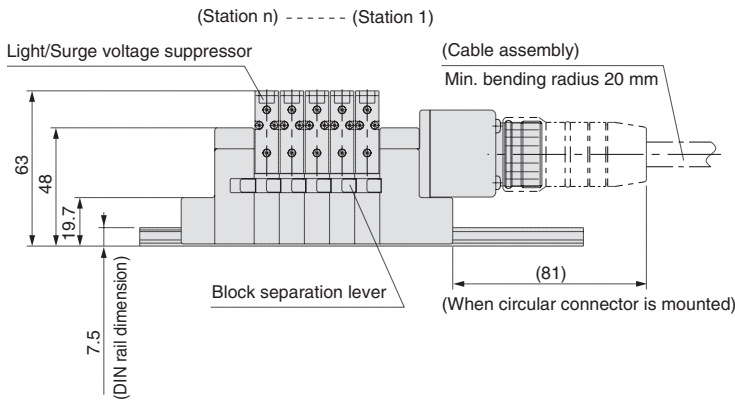
Model	Max. no. of solenoids
Tie-rod base type 10	24
Cassette base type 16	18
	24

Dimensions: Series SV1000 for Circular Connector

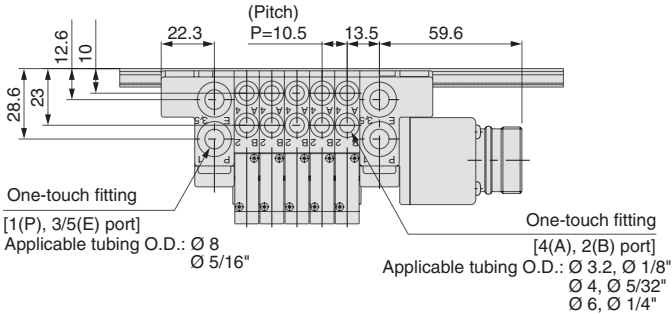
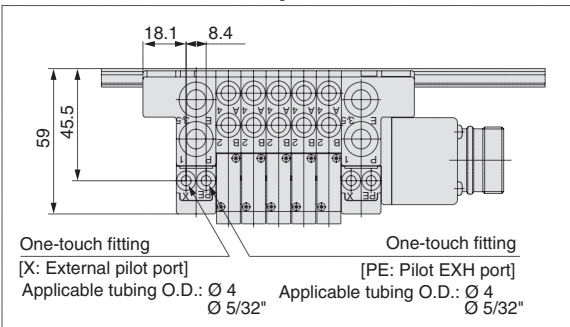
● **Cassette base manifold: SS5V1-W16CD-** Stations $\begin{matrix} U \\ D \\ B \end{matrix}$ (S, R, RS) $\begin{matrix} C3, N1 \\ C4, N3 \\ C6, N7 \end{matrix}$



- When P, E port outlets are indicated on the U side or D side, the P, E ports on the opposite side are plugged.
- External pilot port positions and silencer discharge port positions are the same as P, E port outlet positions.



With External Pilot Specifications



L Dimension

n: Stations

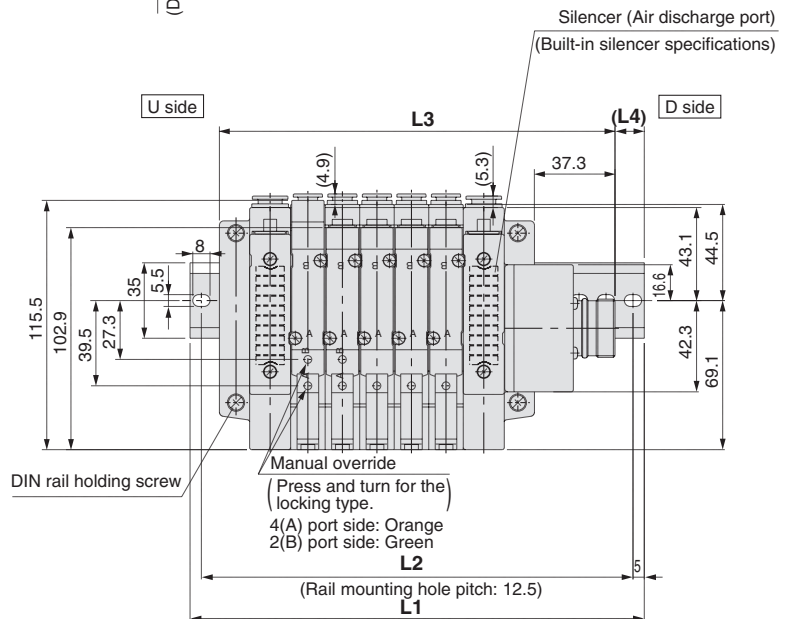
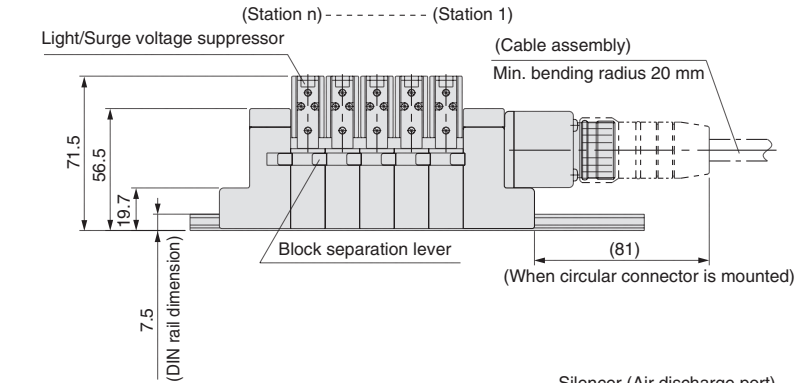
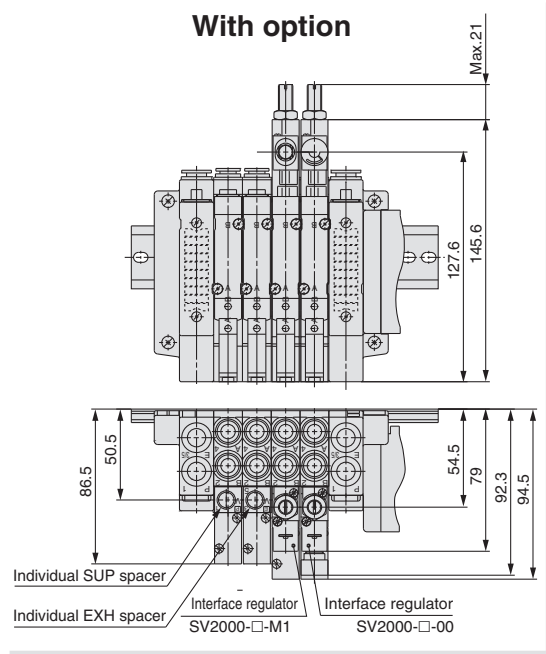
L \ n	2	3	4	5	6	7	8	9	10	11	12	13	14	15	16	17	18
L1	148	160.5	173	185.5	185.5	198	210.5	223	235.5	248	248	260.5	273	285.5	298	310.5	310.5
L2	137.5	150	162.5	175	175	187.5	200	212.5	225	237.5	237.5	250	262.5	275	287.5	300	300
L3	119.3	129.8	140.3	150.8	161.3	171.8	182.3	192.8	203.3	213.8	224.3	234.8	245.3	255.8	266.3	276.8	287.3
L4	14.5	15.5	16.5	17.5	12	13	14	15	16	17	12	13	14	15	16	17	11.5

Series SV

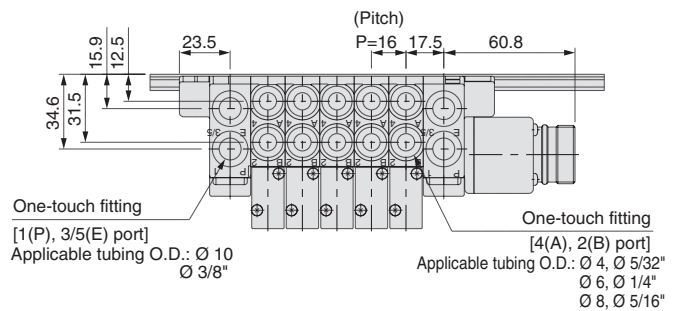
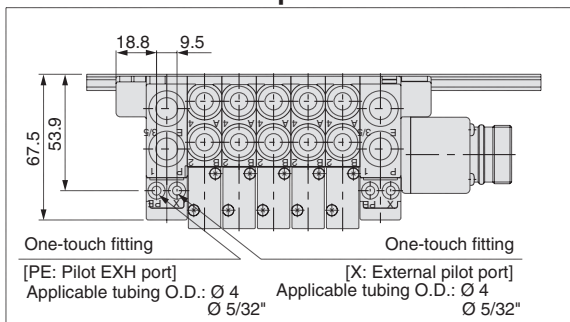
Dimensions: Series SV2000 for Circular Connector

● Cassette base manifold: SS5V2-W16CD-Stations U
D
B (S, R, RS) C4, N3
C6, N7
C8, N9

- When P, E port outlets are indicated on the U side or D side, the P, E ports on the opposite side are plugged.
- External pilot port positions and silencer discharge port positions are the same as P, E port outlet positions.



With External Pilot Specifications



L Dimension

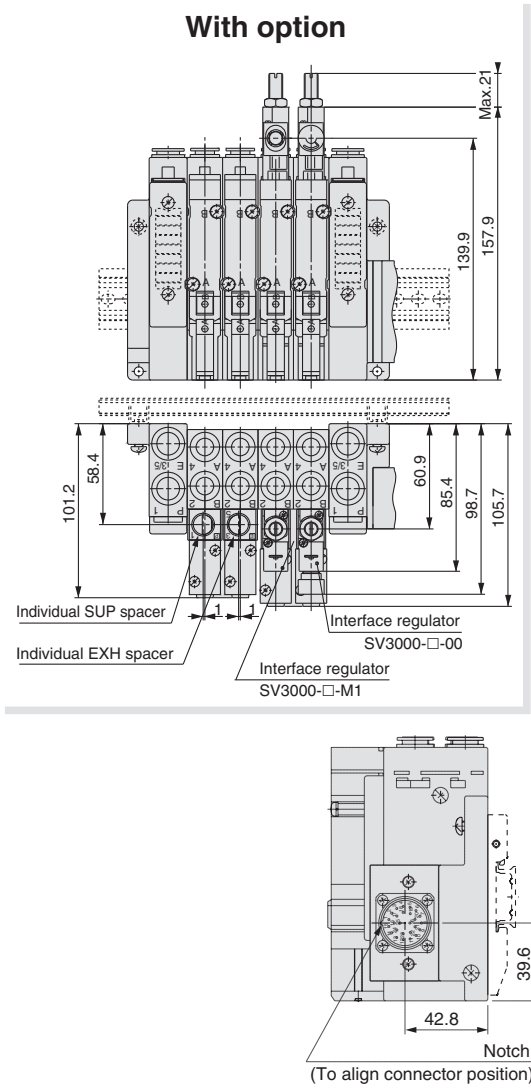
n: Stations

L \ n	2	3	4	5	6	7	8	9	10	11	12	13	14	15	16	17	18	19	20
L1	160.5	185.5	198	210.5	223	248	260.5	273	298	310.5	323	335.5	360.5	373	385.5	410.5	423	435.5	448
L2	150	175	187.5	200	212.5	237.5	250	262.5	287.5	300	312.5	325	350	362.5	375	400	412.5	425	437.5
L3	135.3	151.3	167.3	183.3	199.3	215.3	231.3	247.3	263.3	279.3	295.3	311.3	327.3	343.3	359.3	375.3	391.3	407.3	423.3
L4	12.5	17	15.5	13.5	12	16.5	14.5	13	17.5	15.5	14	12	16.5	15	13	17.5	16	14	12.5

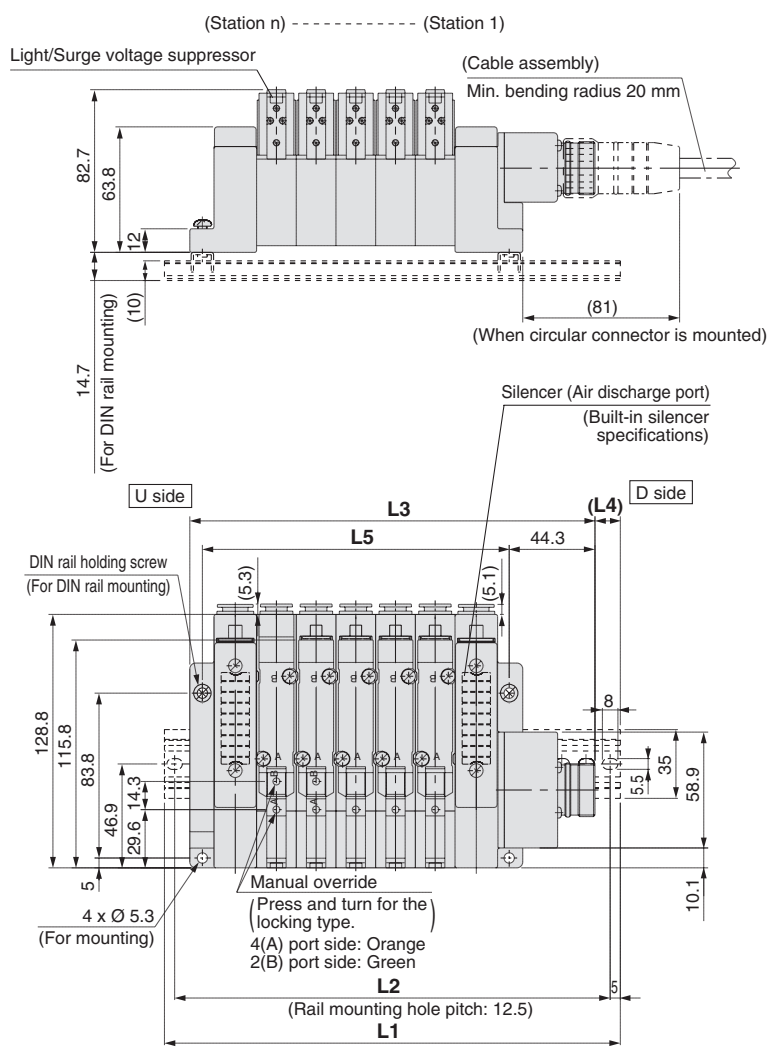
Dimensions: Series SV3000 for Circular Connector

● Tie-rod base manifold: SS5V3-W10CD-Stations $\begin{matrix} U \\ D \end{matrix}$ (S, R, RS)- $\begin{matrix} C6, N7 \\ C8, N9 \end{matrix}$ (-D)
C10, N11

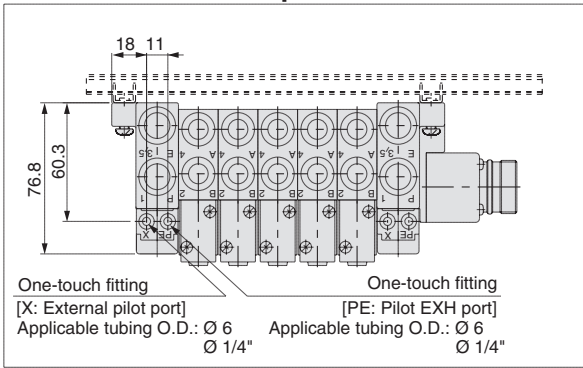
With option



- When P, E port outlets are indicated on the U side or D side, the P, E ports on the opposite side are plugged.
- External pilot port positions and silencer discharge port positions are the same as P, E port outlet positions.



With External Pilot Specifications



L Dimension

L	n	2	3	4	5	6	7	8	9	10	11	12	13	14	15	16	17	18	19	20
L1		173	198	223	235.5	260.5	285.5	298	323	335.5	360.5	385.5	398	423	448	460.5	485.5	510.5	523	548
L2		162.5	187.5	212.5	225	250	275	287.5	312.5	325	350	375	387.5	412.5	437.5	450	475	500	512.5	537.5
L3		147.8	168.3	188.8	209.3	229.8	250.3	270.8	291.3	311.8	332.3	352.8	373.3	393.8	414.3	434.8	455.3	475.8	496.3	516.8
L4		12.5	15	17	13	15.5	17.5	13.5	16	12	14	16.5	12.5	14.5	17	13	15	17.5	13.5	15.5
L5		97	117.5	138	158.5	179	199.5	220	240.5	261	281.5	302	322.5	343	363.5	384	404.5	425	445.5	466

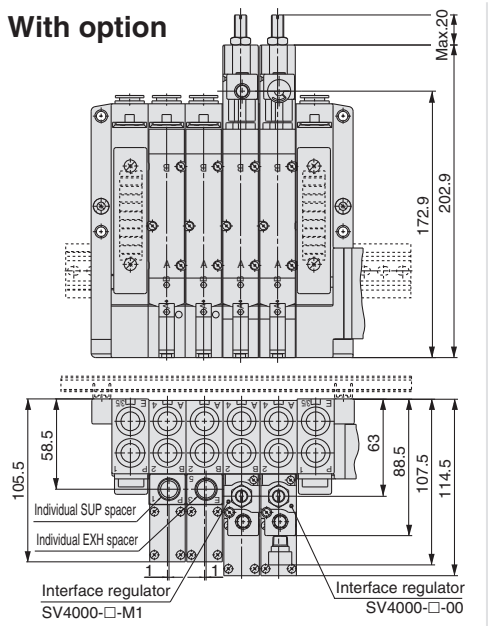
n : Stations

Series SV

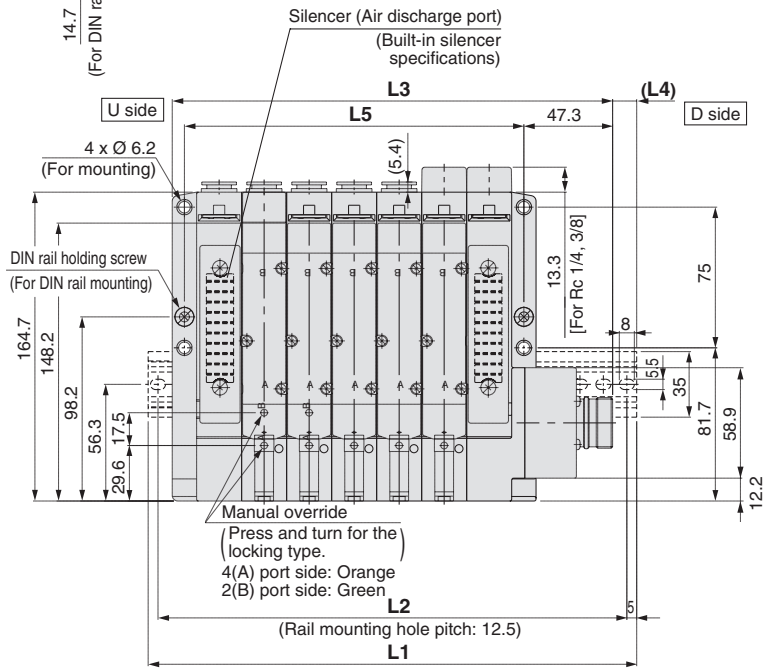
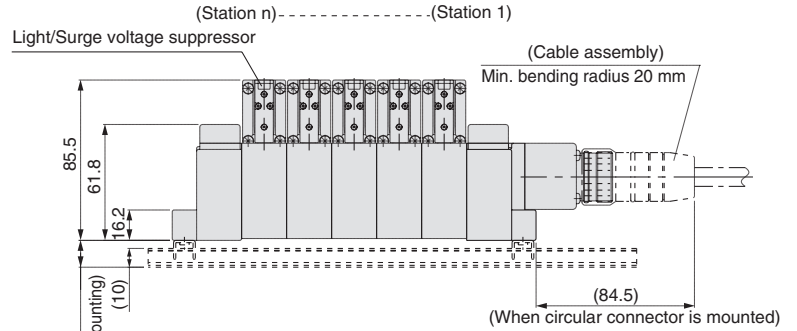
Dimensions: Series SV4000 for Circular Connector

● Tie-rod base manifold: SS5V4-W10CD- $\begin{matrix} \text{U} \\ \text{D} \end{matrix}$ (S, R, RS) $\begin{matrix} \text{O2, C8} \\ \text{O3, C10, N9} \\ \text{C12, N11} \end{matrix}$ (-D)

With option

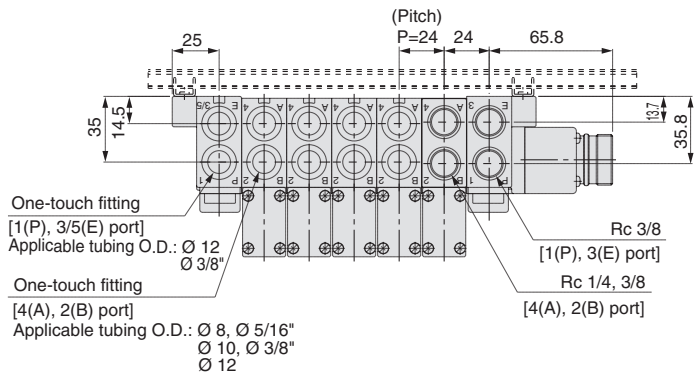
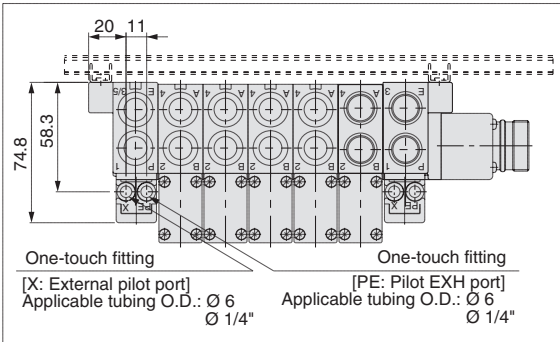


- When P, E port outlets are indicated on the U side or D side, the P, E ports on the opposite side are plugged.
- External pilot port positions and silencer discharge port positions are the same as P, E port outlet positions.



Notch
(To align connector position)

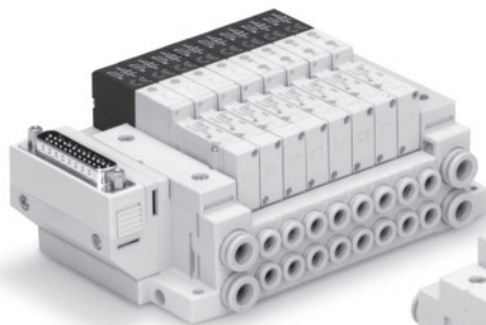
With External Pilot Specifications



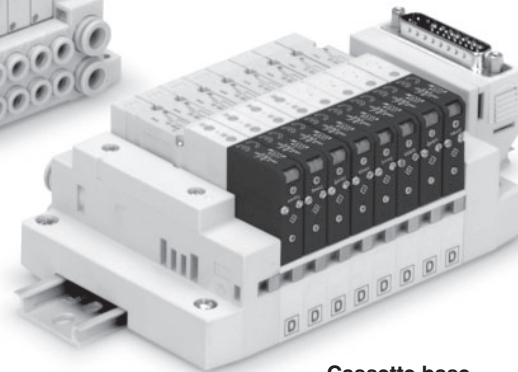
L Dimension

L \ n	n: Stations																			
	2	3	4	5	6	7	8	9	10	11	12	13	14	15	16	17	18	19	20	
L1	198	210.5	235.5	260.5	285.5	310.5	335.5	360.5	385.5	410.5	435.5	460.5	485.5	498	523	548	573	598	623	
L2	187.5	200	225	250	275	300	325	350	375	400	425	450	475	487.5	512.5	537.5	562.5	587.5	612.5	
L3	162.8	186.8	210.8	234.8	258.8	282.8	306.8	330.8	354.8	378.8	402.8	426.8	450.8	474.8	498.8	522.8	546.8	570.8	594.8	
L4	17.5	12	12.5	13	13.5	14	14.5	15	15.5	16	16.5	17	17.5	11.5	12	12.5	13	13.5	14	
L5	109	133	157	181	205	229	253	277	301	325	349	373	397	421	445	469	493	517	541	

D-sub Connector



Tie-rod base



Cassette base

Applicable series

Cassette base manifold
SV1000/SV2000

Tie-rod base manifold
SV1000/SV2000/SV3000/SV4000

- Number of connectors: 25 pins
 - MIL-C-24308
- Conforming to JIS-X-5101

D-sub Connector Series SV



How to Order Manifold

● Tie-rod base

● Cassette base

Series

1	SV1000
2	SV2000
3	SV3000
4	SV4000

Valve stations

Symbol	Stations	Note
02	2 stations	Double wiring (1)
⋮	⋮	
11	11 stations	Specified layout (2) (Up to 23 solenoids possible.)
02	2 stations	
⋮	⋮	
20	20 stations	

Mounting

—	Direct mounting	
D	DIN rail mounting (With DIN rail)	
D0 (Note)	DIN rail mounting (Without DIN rail)	
D3	For 3 stations	When a longer DIN rail is desired than the specified stations. (Specify a longer rail than the standard length.)
⋮	⋮	
D20	For 20 stations	

Note) In case of D0, only DIN rail fittings are attached.

DIN rail length specified

—	Standard length	
3	For 3 stations	(Specify a longer rail than the standard length.)
⋮	⋮	
20 (Note)	For 20 stations	

Note) Able to specify the length for 3 stations up to 18 stations for SV1000, which is available with 18 stations at the maximum.

Connector entry direction

1	Upward
2	Lateral

Valve stations

Series SV1000

Symbol	Stations	Note
02	2 stations	Double wiring (1)
⋮	⋮	
09	9 stations	Specified layout (2) (Up to 18 solenoids possible.)
02	2 stations	
⋮	⋮	
18	18 stations	

Note 1) Double wiring specifications: Single, double, 3 position and 4 position solenoid valves can be used at all of the manifold stations. Use of a single solenoid will result in an unused control signal. If this is not desired, order with a specified layout.

Note 2) Specified layout: Indicate wiring specifications on the manifold specification sheet. (Note that double, 3 and 4 position valves cannot be used where single solenoid wiring has been specified.)

Series SV2000

Symbol	Stations	Note
02	2 stations	Double wiring (1)
⋮	⋮	
11	11 stations	Specified layout (2) (Up to 23 solenoids possible.)
02	2 stations	
⋮	⋮	
20	20 stations	

P, E port location

U	U side (2 to 10 stations)
D	D side (2 to 10 stations)
B	Both sides (2 to 20 stations)

Pilot type

—	Internal pilot
S	Internal pilot/Built-in silencer
R	External pilot
RS	External pilot/Built-in silencer

A, B port size (metric)

Symbol	A, B port	P, E port	Applicable series
C3	One-touch fitting for Ø 3.2	One-touch fitting for Ø 8	SV1000
C4	One-touch fitting for Ø 4		
C6	One-touch fitting for Ø 6		
C4	One-touch fitting for Ø 4	One-touch fitting for Ø 10	SV2000
C6	One-touch fitting for Ø 6		
C8	One-touch fitting for Ø 8		
C6	One-touch fitting for Ø 6	One-touch fitting for Ø 12	SV3000
C8	One-touch fitting for Ø 8		
C10	One-touch fitting for Ø 10		
C8	One-touch fitting for Ø 8	One-touch fitting for Ø 12	SV4000
C10	One-touch fitting for Ø 10		
C12	One-touch fitting for Ø 12		
02	Rc 1/4	Rc 3/8	
03	Rc 3/8		
02F	G 1/4	G 3/8	
03F	G 3/8		
M	A, B ports mixed		

A, B port size (inch)

Symbol	A, B port	P, E port	Applicable series
N1	One-touch fitting for Ø 1/8"	One-touch fitting for Ø 5/16"	SV1000
N3	One-touch fitting for Ø 5/32"		
N7	One-touch fitting for Ø 1/4"		
N3	One-touch fitting for Ø 5/32"	One-touch fitting for Ø 3/8"	SV2000
N7	One-touch fitting for Ø 1/4"		
N9	One-touch fitting for Ø 5/16"		
N7	One-touch fitting for Ø 1/4"	One-touch fitting for Ø 3/8"	SV3000
N9	One-touch fitting for Ø 5/16"		
N11	One-touch fitting for Ø 3/8"		
N9	One-touch fitting for Ø 5/16"	One-touch fitting for Ø 3/8"	SV4000
N11	One-touch fitting for Ø 3/8"		
02N	NPT 1/4		
03N	NPT 3/8	NPT 3/8	
02T	NPTF 1/4		
03T	NPTF 3/8		
M	A, B ports mixed		

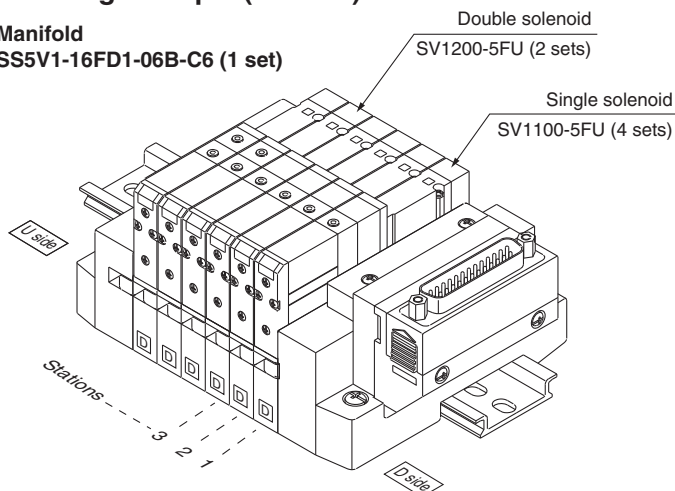
* In the case of mixed specifications (M), indicate separately on the manifold specification sheet.

* Port sizes of X, PE port for external pilot specifications (R, RS) are Ø 4 (metric), Ø 5/32" (inch) for SV1000/2000 and Ø 6 (metric) and Ø 1/4" (inch) for SV3000/4000.

How to Order Manifold Assembly

Ordering example (SV1000)

Manifold
SS5V1-16FD1-06B-C6 (1 set)



SS5V1-16FD1-06B-C6.....1 set (Manifold part no.)
* SV1100-5FU.....4 sets (Single solenoid part no.)
* SV1200-5FU.....2 sets (Double solenoid part no.)

How to Order Solenoid Valves

SV 1 1 0 0 [] [] - 5 F [] [] - [] - []

Series ●

1	SV1000
2	SV2000
3	SV3000
4	SV4000

Type of actuation ●

1	2 position single
2	2 position double
3	3 position closed centre
4	3 position exhaust centre
5	3 position pressure centre
A	4 position dual 3 port valve: N.C./N.C.
B	4 position dual 3 port valve: N.O./N.O.
C	4 position dual 3 port valve: N.C./N.O.

* 4 position dual 3 port valves are applicable to Series SV1000 and SV2000 only.

Pilot type ●

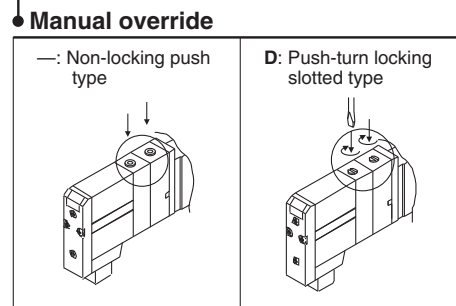
—	Internal pilot
R	External pilot

* External pilot specifications is not available for 4 position dual 3 port valves.

Note) Available with manifold block for station additions. Refer to pages 104 and 110.

Made to Order ●

—	—
X90	Main valve fluororubber (Refer to page 125.)



● Light/Surge voltage suppressor

U	With light/surge voltage suppressor
R	With surge voltage suppressor

● Rated voltage

5	24 V DC
6	12 V DC

● Back pressure check valve

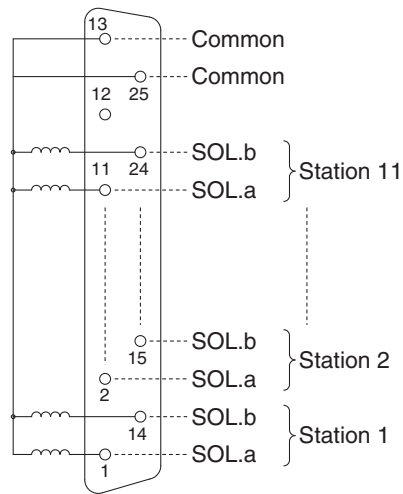
—	None
K	Built-in

* Built-in back pressure check valve type is applicable to series SV1000 only.
* Back pressure check valve is not available for 3 position valve.

Note) Refer to Specific Product Precautions 2 on page 127.

Manifold Electrical Wiring

10F/16F D-sub Connector Type (25 pins)



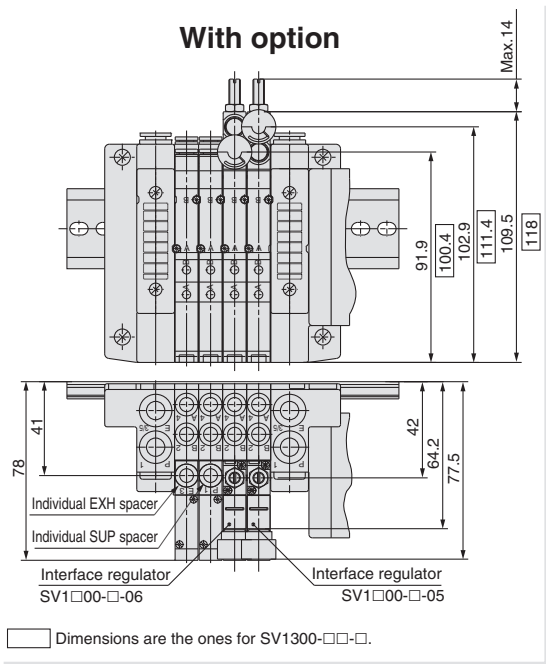
- This circuit has double wiring specifications for up to 11 stations. Since the usable number of solenoids differs depending on the manifold type, refer to the table below.
In the case of single solenoids, connect to SOL.A. Furthermore, when wiring is specified on the manifold specification sheet, connections are made without skipping any connectors, and signals A for single and A, B for double are in order 1 → 14 → 2 → 15, etc.
- Stations are counted from D side (connector side) as the 1st.
- Since solenoid valves do not have polarity, either the +COM or -COM can be used.

Usable No. of Solenoids

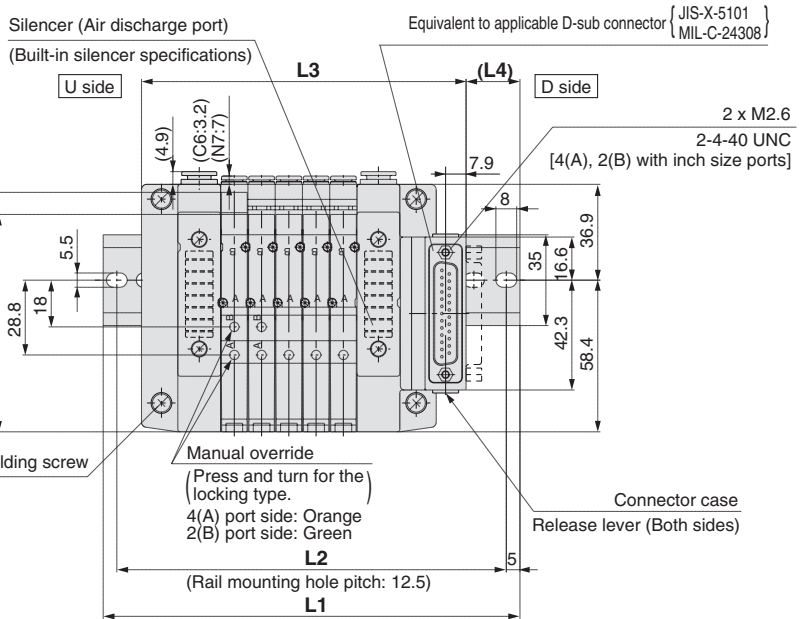
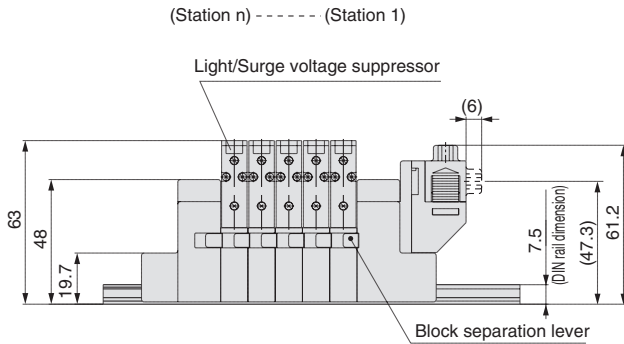
Model		Max. no. of solenoids
Tie-rod base type 10	SV1000	23
	SV4000	
Cassette base type 16	SV1000	18
	SV2000	23

Dimensions: Series SV1000 for D-sub Connector

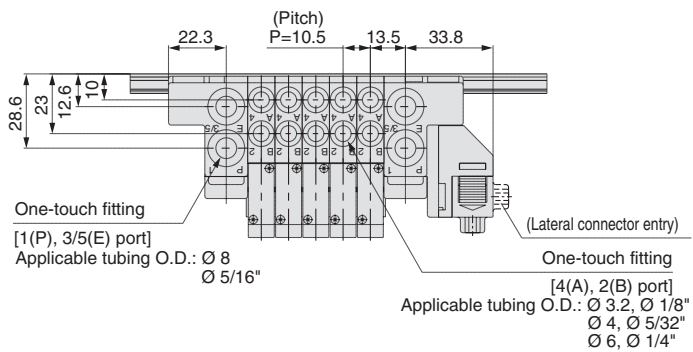
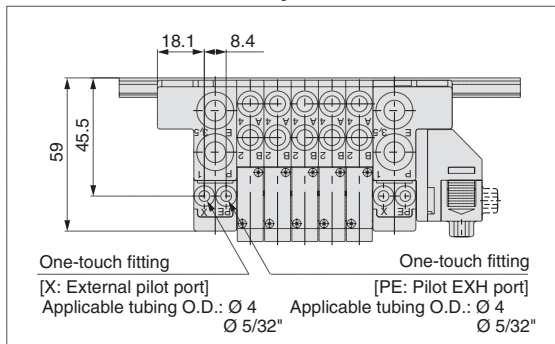
● **Cassette base manifold: SS5V1-16FD₂-** Stations_U_D (S, R, RS) C3, N1
C4, N3 C6, N7



- When P, E port outlets are indicated on the U side or D side, the P, E ports on the opposite side are plugged.
- External pilot port positions and silencer discharge port positions are the same as P, E port outlet positions.



With External Pilot Specifications



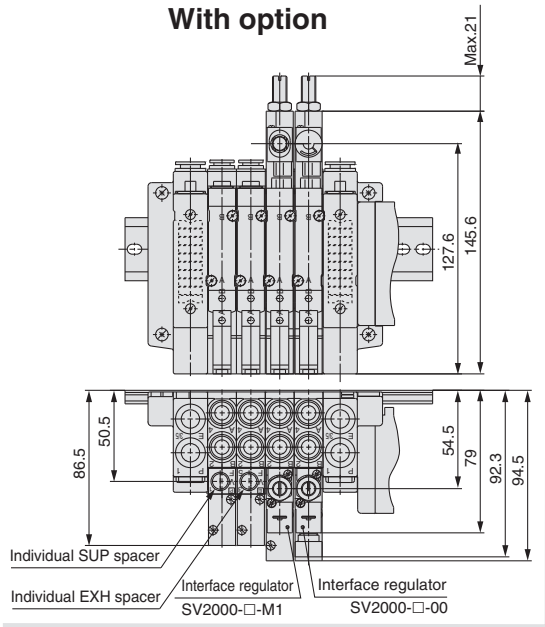
L Dimension

L	n: Stations																	
	2	3	4	5	6	7	8	9	10	11	12	13	14	15	16	17	18	
L1	123	135.5	148	160.5	173	185.5	198	198	210.5	223	235.5	248	260.5	260.5	273	285.5	298	
L2	112.5	125	137.5	150	162.5	175	187.5	187.5	200	212.5	225	237.5	250	250	262.5	275	287.5	
L3	93.5	104	114.5	125	135.5	146	156.5	167	177.5	188	198.5	209	219.5	230	240.5	251	261.5	
L4	18	19	20	21	22	23	24	18.5	19.5	20.5	21.5	22.5	23.5	18.5	19.5	20.5	21.5	

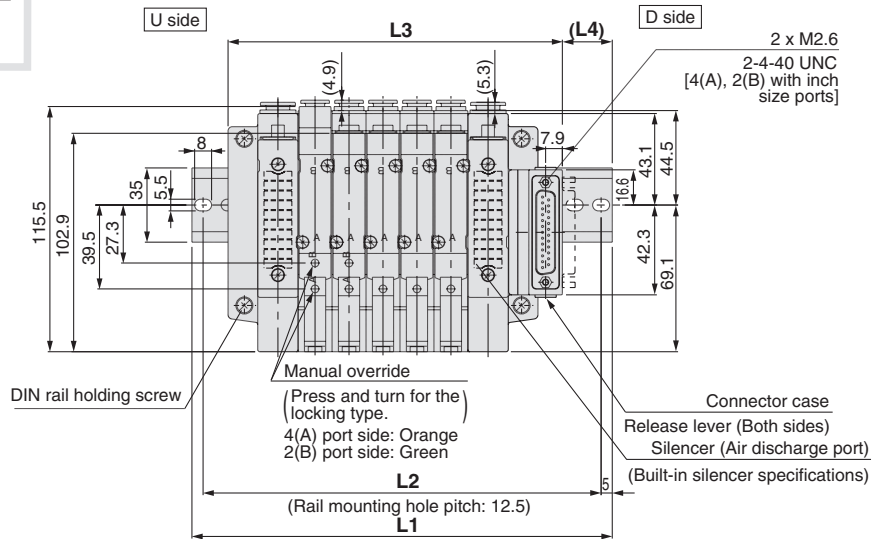
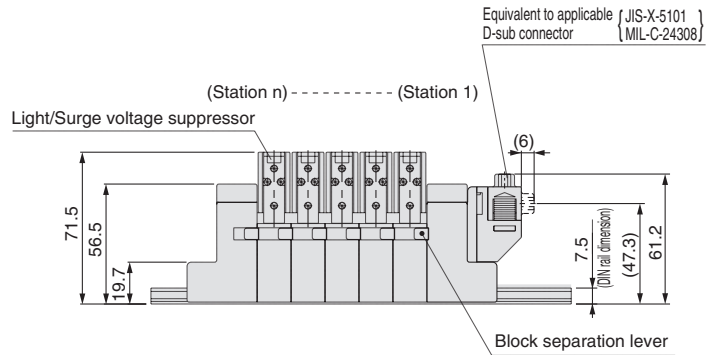
Series SV

Dimensions: Series SV2000 for D-sub Connector

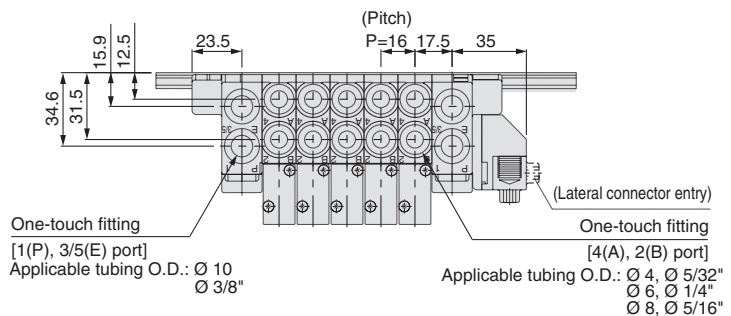
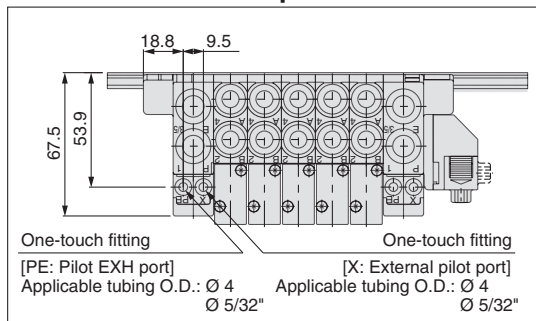
● Cassette base manifold: SS5V2-16FD₂ - Stations $\frac{U}{D}$ (S, R, RS) C4, N3
C6, N7
C8, N9



- When P, E port outlets are indicated on the U side or D side, the P, E ports on the opposite side are plugged.
- External pilot port positions and silencer discharge port positions are the same as P, E port outlet positions.



With External Pilot Specifications

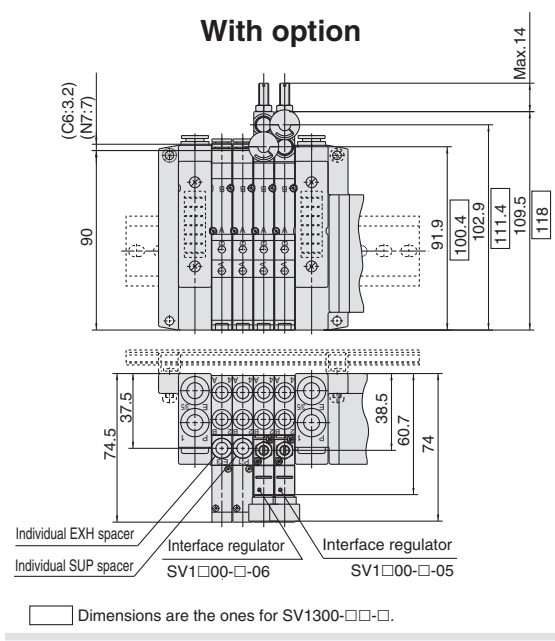


L Dimension

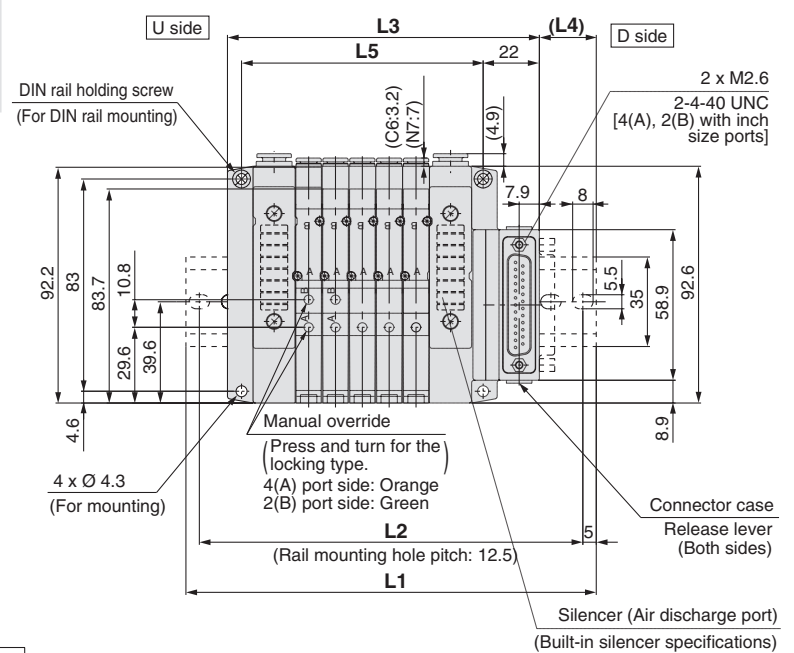
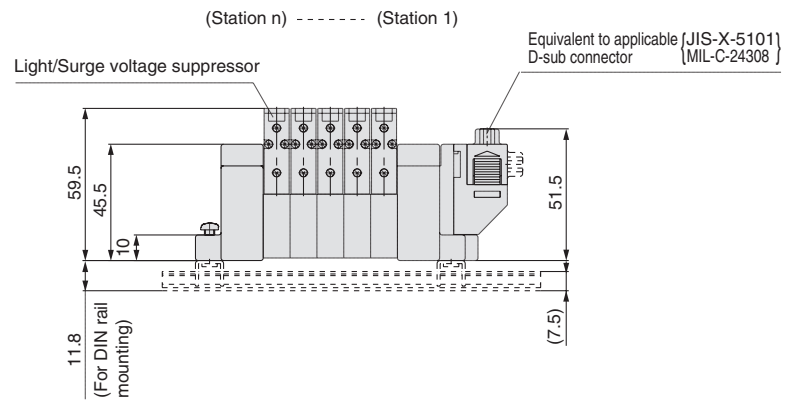
L	n	n: Stations																		
		2	3	4	5	6	7	8	9	10	11	12	13	14	15	16	17	18	19	20
L1		148	160.5	173	198	210.5	223	235.5	260.5	273	285.5	310.5	323	335.5	348	373	385.5	398	423	435.5
L2		137.5	150	162.5	187.5	200	212.5	225	250	262.5	275	300	312.5	325	337.5	362.5	375	387.5	412.5	425
L3		109.5	125.5	141.5	157.5	173.5	189.5	205.5	221.5	237.5	253.5	269.5	285.5	301.5	317.5	333.5	349.5	365.5	381.5	397.5
L4		22.5	20.5	19	23.5	21.5	20	18	22.5	21	19	23.5	22	20	18.5	23	21	19.5	24	22

Dimensions: Series SV1000 for D-sub Connector

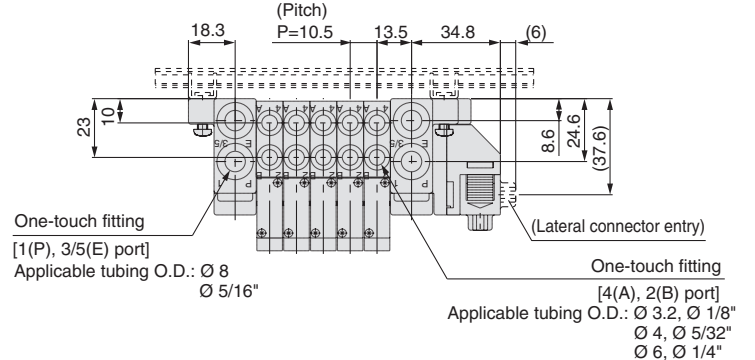
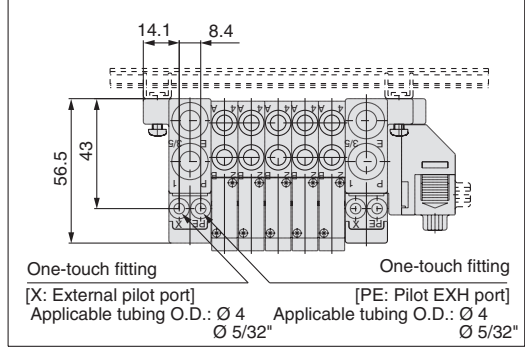
● Tie-rod base manifold: SS5V1-10FD₂¹ - Stations $\frac{U}{D}$ B (S, R, RS) - C₃, N₁
C₄, N₃ (-D) C₆, N₇



- When P, E port outlets are indicated on the U side or D side, the P, E ports on the opposite side are plugged.
- External pilot port positions and silencer discharge port positions are the same as P, E port outlet positions.



With External Pilot Specifications



L Dimension

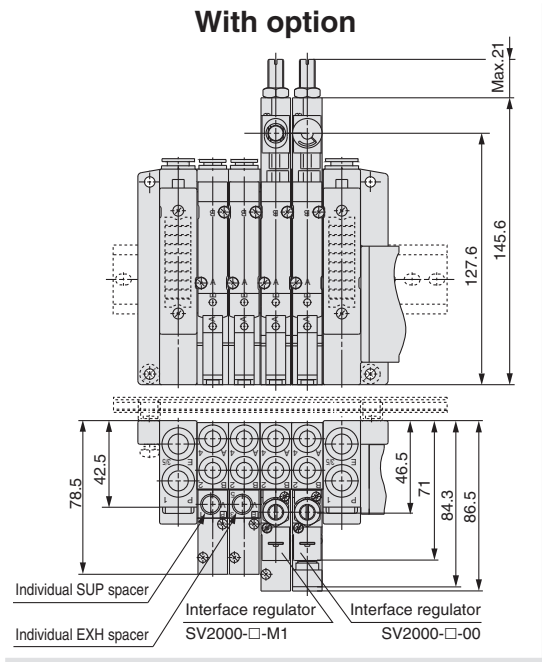
L	n	2	3	4	5	6	7	8	9	10	11	12	13	14	15	16	17	18	19	20
L1		123	135.5	148	160.5	173	173	185.5	198	210.5	223	235.5	235.5	248	260.5	273	285.5	298	310.5	310.5
L2		112.5	125	137.5	150	162.5	162.5	175	187.5	200	212.5	225	225	237.5	250	262.5	275	287.5	300	300
L3		90.5	101	111.5	122	132.5	143	153.5	164	174.5	185	195.5	206	216.5	227	237.5	248	258.5	269	279.5
L4		19.5	20.5	21.5	22.5	23.5	18	19	20	21	22	23	18	19	20	21	22	23	24	18.5
L5		63	73.5	84	94.5	105	115.5	126	136.5	147	157.5	168	178.9	189	199.5	210	220.5	231	241.5	252

n: Stations

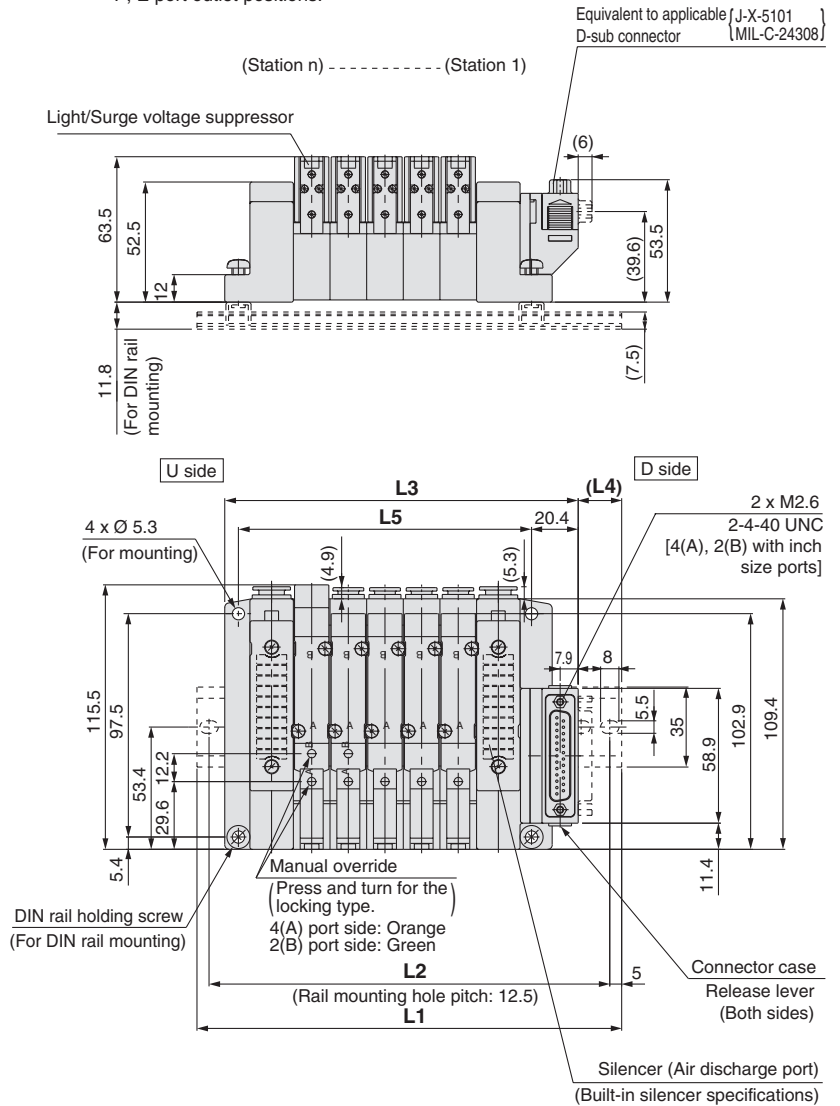
Series SV

Dimensions: Series SV2000 for D-sub Connector

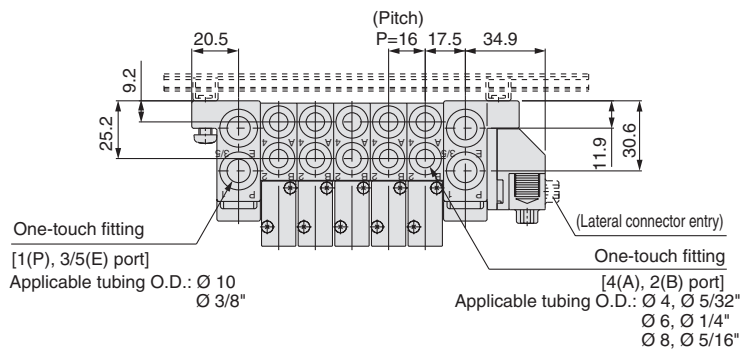
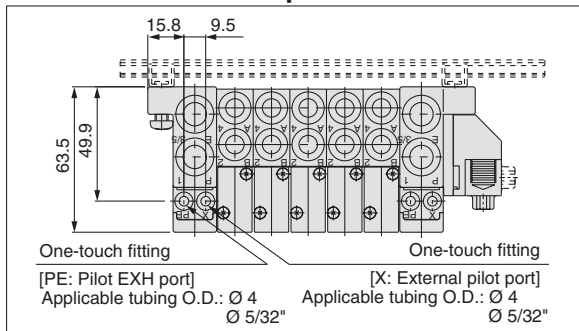
● Tie-rod base manifold: SS5V2-10FD₂ - Stations $\frac{U}{D}$ (S, R, RS) C4, N3 C6, N7 C8, N9 (-D)



- When P, E port outlets are indicated on the U side or D side, the P, E ports on the opposite side are plugged.
- External pilot port positions and silencer discharge port positions are the same as P, E port outlet positions.



With External Pilot Specifications



L Dimension

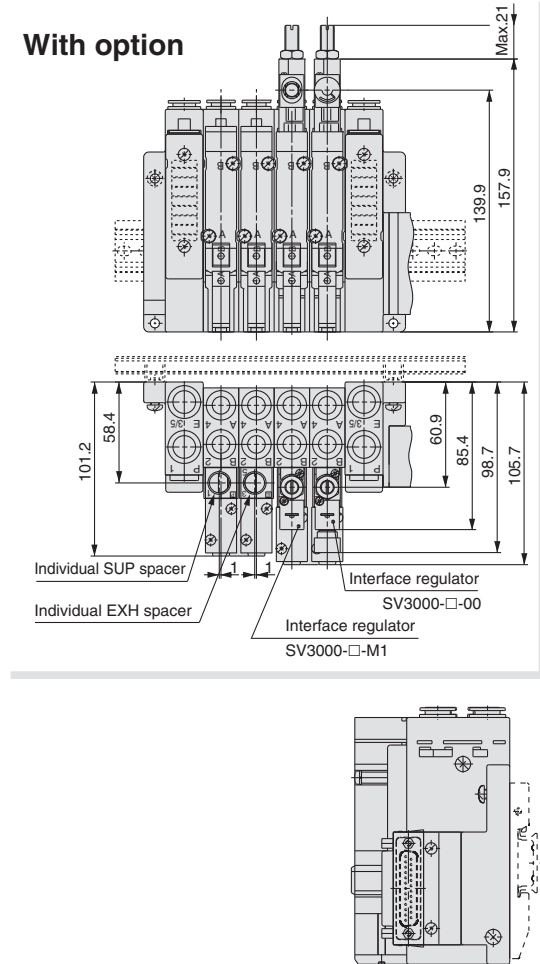
L \ n	2	3	4	5	6	7	8	9	10	11	12	13	14	15	16	17	18	19	20
L1	135.5	160.5	173	185.5	210.5	223	235.5	248	273	285.5	298	323	335.5	348	360.5	385.5	398	410.5	435.5
L2	125	150	162.5	175	200	212.5	225	237.5	262.5	275	287.5	312.5	325	337.5	350	375	387.5	400	425
L3	106.4	122.4	138.4	154.4	170.4	186.4	202.4	218.4	234.4	250.4	266.4	282.4	298.4	314.4	330.4	346.4	362.4	378.4	394.4
L4	17.5	22	20.5	18.5	23	21.5	19.5	18	22.5	20.5	19	23.5	21.5	20	18	22.5	21	19	23.5
L5	80	96	112	128	144	160	176	192	208	224	240	256	272	288	304	320	336	352	368

n: Stations

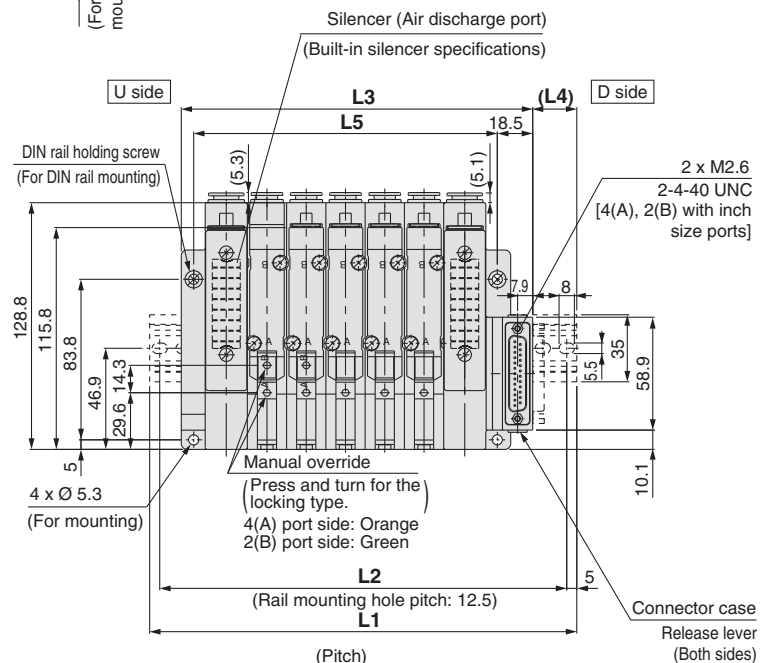
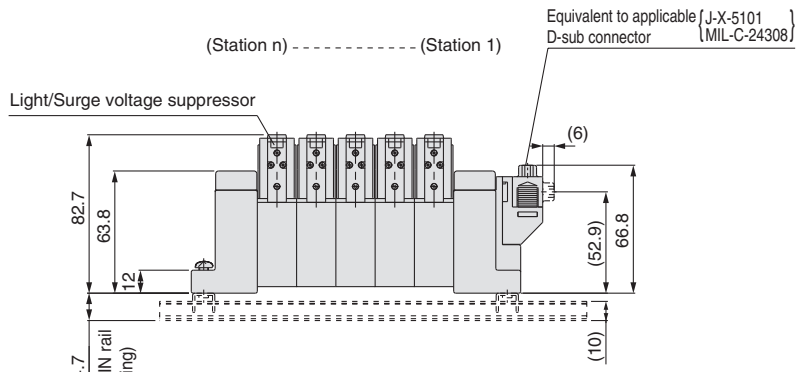
Dimensions: Series SV3000 for D-sub Connector

● Tie-rod base manifold: SS5V3-10FD₂ - Stations $\begin{matrix} \text{U} \\ \text{D} \\ \text{B} \end{matrix}$ (S, R, RS) - C6, N7
C8, N9 (-D) C10, N11

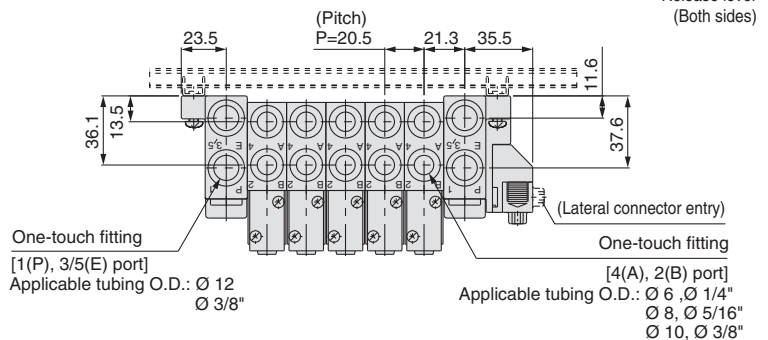
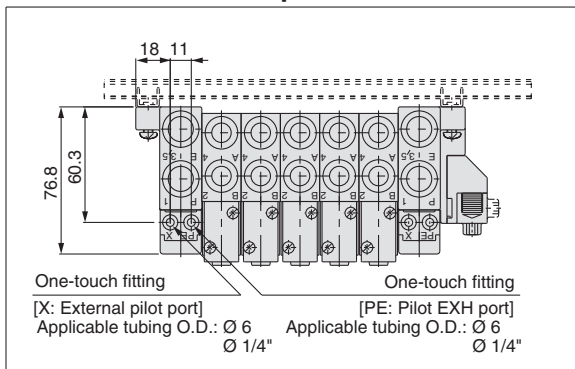
With option



- When P, E port outlets are indicated on the U side or D side, the P, E ports on the opposite side are plugged.
- External pilot port positions and silencer discharge port positions are the same as P, E port outlet positions.



With External Pilot Specifications



L Dimension

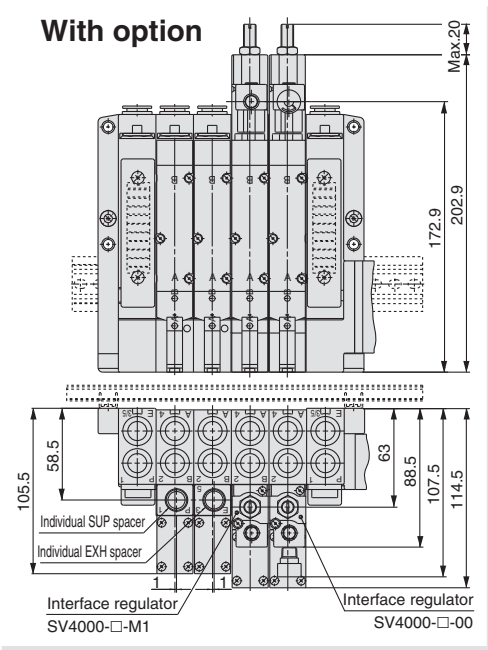
L	n	2	3	4	5	6	7	8	9	10	11	12	13	14	15	16	17	18	19	20
L1		160.5	173	198	223	235.5	260.5	285.5	298	323	348	360.5	385.5	398	423	448	460.5	485.5	510.5	523
L2		150	162.5	187.5	212.5	225	250	275	287.5	312.5	337.5	350	375	387.5	412.5	437.5	450	475	500	512.5
L3		122	142.5	163	183.5	204	224.5	245	265.5	286	306.5	327	347.5	368	388.5	409	429.5	450	470.5	491
L4		22.5	18.5	20.5	23	19	21	23.5	19.5	21.5	24	20	22	18	20.5	22.5	18.5	21	23	19
L5		97	117.5	138	158.5	179	199.5	220	240.5	261	281.5	302	322.5	343	363.5	384	404.5	425	445.5	466

n: Stations

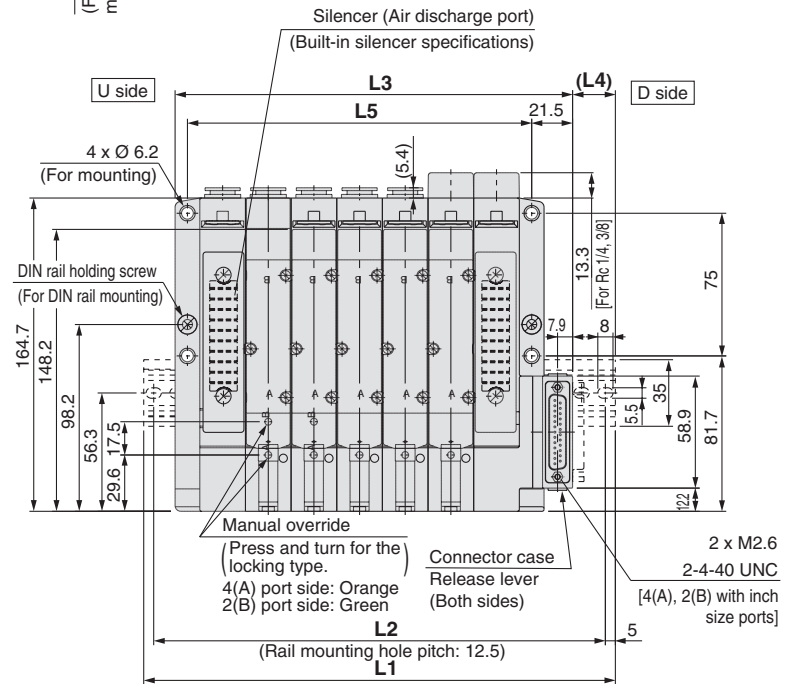
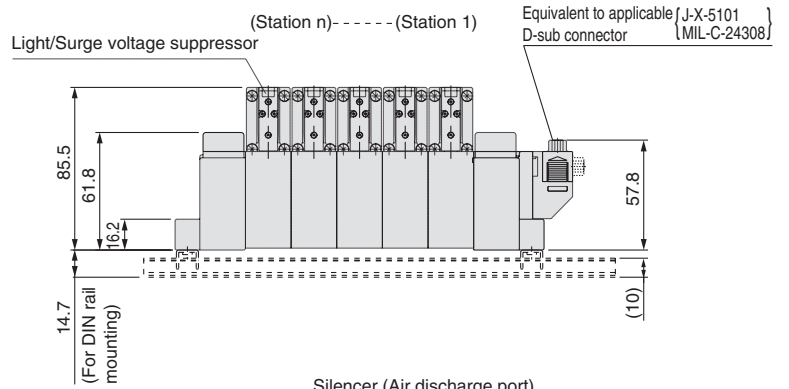
Series SV

Dimensions: Series SV4000 for D-sub Connector

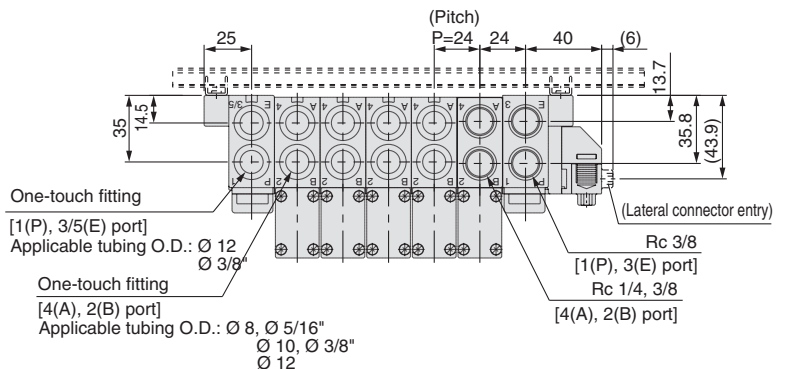
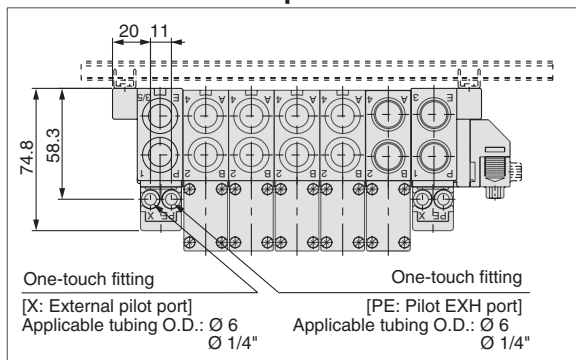
● Tie-rod base manifold: SS5V4-10FD₂ - Stations $\frac{U}{D}$ (S, R, RS) $\frac{02, C8, N9}{03, C10, N11}$ (-D)



- When P, E port outlets are indicated on the U side or D side, the P, E ports on the opposite side are plugged.
- External pilot port positions and silencer discharge port positions are the same as P, E port outlet positions.



With External Pilot Specifications

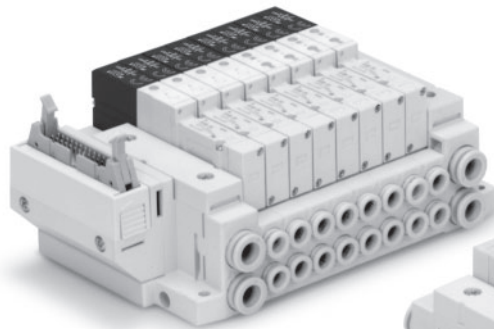


L Dimension

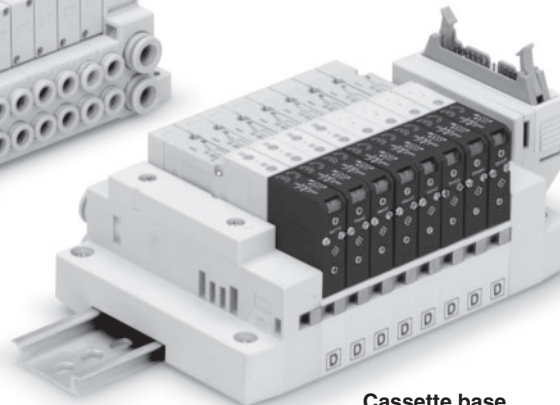
L \ n	2	3	4	5	6	7	8	9	10	11	12	13	14	15	16	17	18	19	20
L1	173	198	223	248	273	298	310.5	335.5	360.5	385.5	410.5	435.5	460.5	485.5	510.5	535.5	560.5	585.5	610.5
L2	162.5	187.5	212.5	237.5	262.5	287.5	300	325	350	375	400	425	450	475	500	525	550	575	600
L3	137	161	185	209	233	257	281	305	329	353	377	401	425	449	473	497	521	545	569
L4	21	21.5	22	22.5	23	23.5	18	18.5	19	19.5	20	20.5	21	21.5	22	22.5	23	23.5	24
L5	109	133	157	181	205	229	253	277	301	325	349	373	397	421	445	469	493	517	541

n: Stations

Flat Ribbon Cable Connector



Tie-rod base



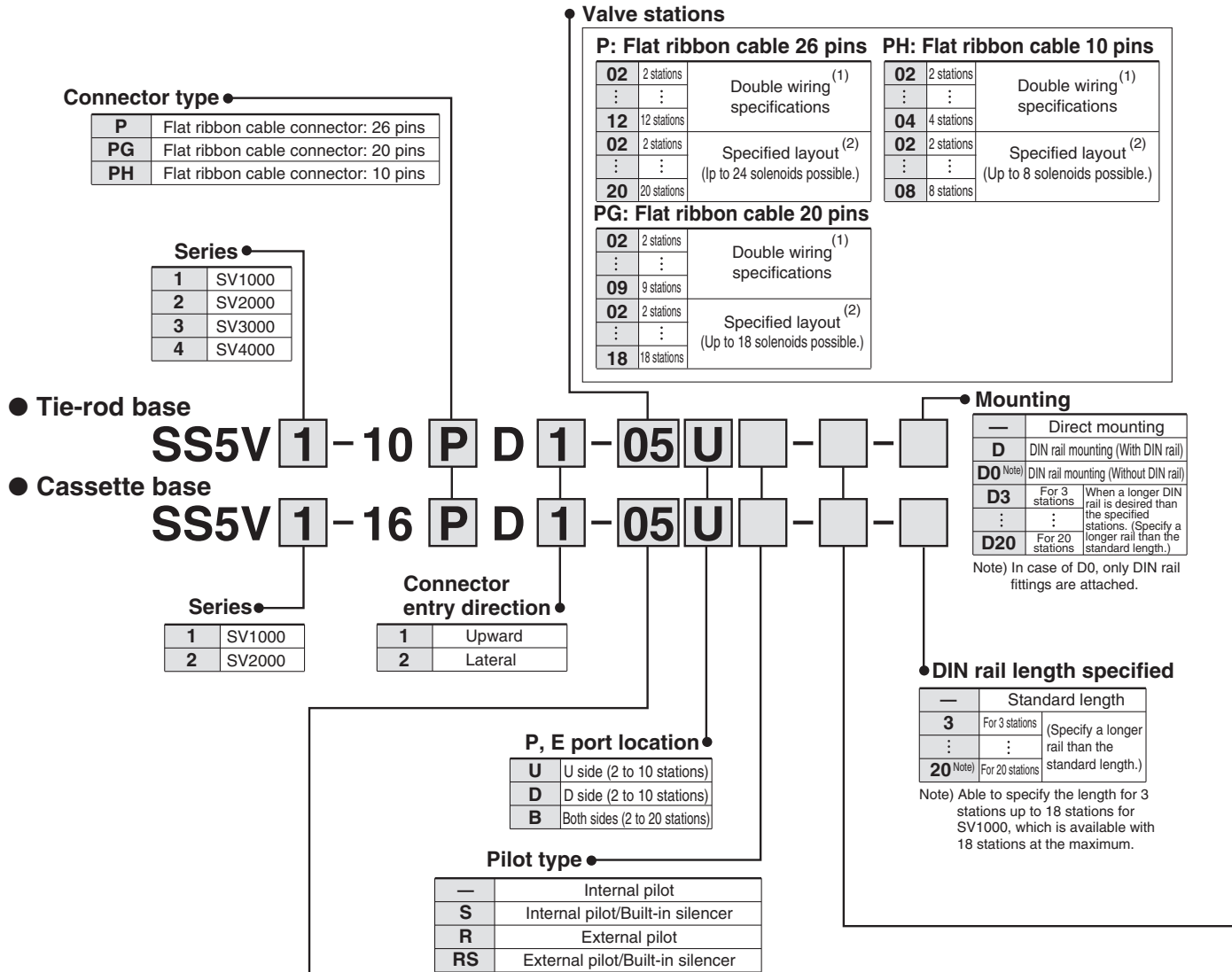
Cassette base

Applicable series	Cassette base manifold SV1000/SV2000
	Tie-rod base manifold SV1000/SV2000/SV3000/SV4000
<ul style="list-style-type: none">• Number of connectors: 26, 20, 10 pins• With strain relief Conforming to MIL-C-83503	

Flat Ribbon Cable Connector Series SV



How to Order Manifold



Valve stations • Series SV1000

P: Flat ribbon cable 26 pins		PH: Flat ribbon cable 10 pins	
02	2 stations	02	2 stations
⋮	⋮	⋮	⋮
09	9 stations	04	4 stations
02	2 stations	02	2 stations
⋮	⋮	⋮	⋮
18	18 stations	08	8 stations

PG: Flat ribbon cable 20 pins

02	2 stations
⋮	⋮
09	9 stations
02	2 stations
⋮	⋮
18	18 stations

Series SV2000

P: Flat ribbon cable 26 pins		PH: Flat ribbon cable 10 pins	
02	2 stations	02	2 stations
⋮	⋮	⋮	⋮
12	12 stations	04	4 stations
02	2 stations	02	2 stations
⋮	⋮	⋮	⋮
20	20 stations	08	8 stations

PG: Flat ribbon cable 20 pins

02	2 stations
⋮	⋮
09	9 stations
02	2 stations
⋮	⋮
18	18 stations

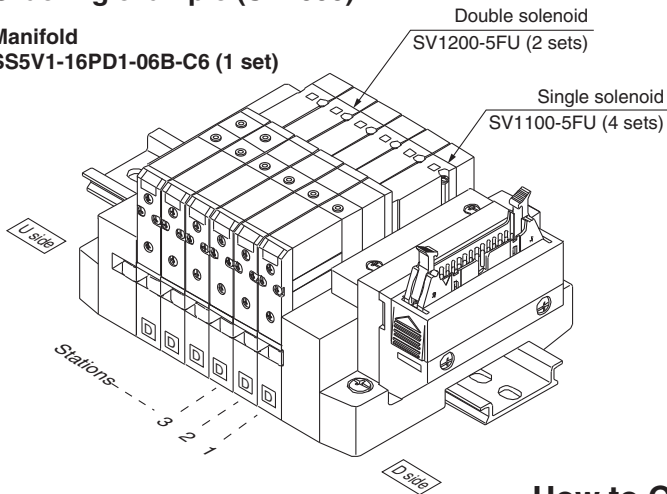
Note 1) Double wiring specifications: Single, double, 3 and 4 position solenoid valves can be used on all manifold stations. Use of a single solenoid will result in an unused control signal. If this is not desired, order with a specified layout.

Note 2) Specified layout: Indicate wiring specifications on a manifold specification sheet. (Note that double, 3 and 4 position valves cannot be used where single solenoid wiring has been specified.)

How to Order Valve Manifold Assembly

Ordering example (SV1000)

Manifold
SS5V1-16PD1-06B-C6 (1 set)



SS5V1-16PD1-06B-C6.....1 set (manifold part no.)
 * SV1100-5FU.....4 sets (Single solenoid part no.)
 * SV1200-5FU.....2 sets (Double solenoid part no.)

How to Order Valve

SV 1 1 0 0 [] [] - 5 F [] [] - [] []

Series

1	SV1000
2	SV2000
3	SV3000
4	SV4000

Type of actuation

1	2 position single
2	2 position double
3	3 position closed centre
4	3 position exhaust centre
5	3 position pressure centre
A	4 position dual 3 port valve: N.C./N.C.
B	4 position dual 3 port valve: N.O./N.O.
C	4 position dual 3 port valve: N.C./N.O.

* 4 position dual 3 port valves are applicable to Series SV1000 and SV2000 only.

Pilot type

—	Internal pilot
R	External pilot

* External pilot specifications is not available for 4 position dual 3 port valves.

Rated voltage

5	24 V DC
6	12 V DC

Back pressure check valve

—	None
K	Built-in

* Built-in back pressure check valve type is applicable to series SV1000 only.
 * Back pressure check valve is not available for 3 position valve.

Note) Refer to Specific Product Precautions 2 on page 127.

Note) Available with manifold block for station additions. Refer to pages 104 and 110.

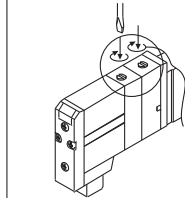
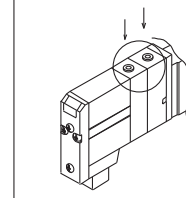
Made to Order

—	—
X90	Main valve fluororubber (Refer to page 125.)

Manual override

—: Non-locking push type

D: Push-turn locking slotted type



Light/Surge voltage suppressor

U	With light/surge voltage suppressor
R	With surge voltage suppressor

A, B port size (Metric)

Symbol	A, B port	P, E port	Applicable series
C3	One-touch fitting for Ø 3.2	One-touch fitting for Ø 8	SV1000
C4	One-touch fitting for Ø 4		
C6	One-touch fitting for Ø 6		
C4	One-touch fitting for Ø 4	One-touch fitting for Ø 10	SV2000
C6	One-touch fitting for Ø 6		
C8	One-touch fitting for Ø 8		
C6	One-touch fitting for Ø 6	One-touch fitting for Ø 12	SV3000
C8	One-touch fitting for Ø 8		
C10	One-touch fitting for Ø 10		
C8	One-touch fitting for Ø 8	One-touch fitting for Ø 12	SV4000
C10	One-touch fitting for Ø 10		
C12	One-touch fitting for Ø 12		
02	Rc 1/4	Rc 3/8	SV4000
03	Rc 3/8		
02F	G 1/4		
03F	G 3/8	G 3/8	
M	A, B ports mixed		

A, B port size (Inch)

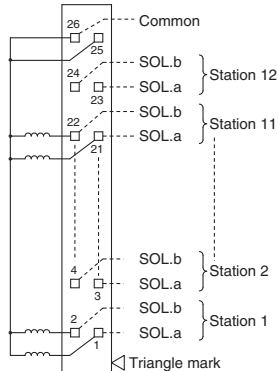
Symbol	A, B port	P, E port	Applicable series
N1	One-touch fitting for Ø 1/8"	One-touch fitting for Ø 5/16"	SV1000
N3	One-touch fitting for Ø 5/32"		
N7	One-touch fitting for Ø 1/4"		
N3	One-touch fitting for Ø 5/32"	One-touch fitting for Ø 3/8"	SV2000
N7	One-touch fitting for Ø 1/4"		
N9	One-touch fitting for Ø 5/16"		
N7	One-touch fitting for Ø 1/4"	One-touch fitting for Ø 3/8"	SV3000
N9	One-touch fitting for Ø 5/16"		
N11	One-touch fitting for Ø 3/8"		
N9	One-touch fitting for Ø 5/16"	One-touch fitting for Ø 3/8"	SV4000
N11	One-touch fitting for Ø 3/8"		
02N	NPT 1/4		
03N	NPT 3/8	NPT 3/8	SV4000
02T	NPTF 1/4		
03T	NPTF 3/8		
M	A, B ports mixed		

* In the case of mixed specifications (M), indicate separately on the manifold specification sheet.

* Port sizes of X, PE port for external pilot specification (R, RS) are Ø 4 (metric), Ø 5/32" (inch) for SV1000/2000 and Ø 6 (metric) and Ø 1/4" (inch) for SV3000/4000.

Manifold Electrical Wiring

10P/16P Flat Ribbon Cable Type (26 pins)

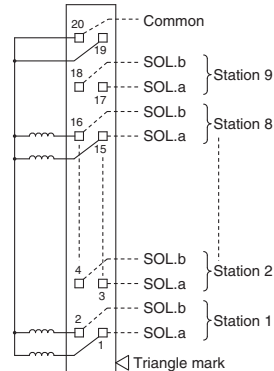


- This circuit has double wiring specifications for up to 12 stations. Since the usable number of solenoids differs depending on the manifold type, refer to the table below. In the case of single solenoids, connect to SOL. A. Furthermore, when wiring is specified on a manifold specification sheet, connections are made without skipping any connectors, and signals A for single and A, B for double are in order 1 → 2 → 3 → 4, etc.
- Stations are counted from D side (connector side) as the 1st one.
- Since terminal numbers are not indicated on the flat cable, use the triangle mark as a reference for wiring.
- Since solenoid valves do not have polarity, either the +COM or –COM can be used.

Usable No. of Solenoids

Model	Max. no. of solenoids
Tie-rod base type 10	SV1000 to SV4000 24
Cassette base type 16	SV1000 18
	SV2000 24

10PG/16PG Flat Ribbon Cable Type (20 pins)

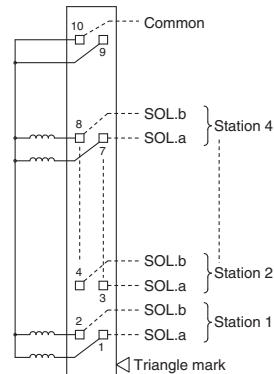


- This circuit has double wiring specifications for up to 9 stations. Since the usable number of solenoids differs depending on the manifold type, refer to the table below. In the case of single solenoids, connect to SOL. A. Furthermore, when wiring is specified on a manifold specification sheet, connections are made without skipping any connectors, and signals A for single and A, B for double are in order 1 → 2 → 3 → 4, etc.
- Stations are counted from D side (connector side) as the 1st one.
- Since terminal numbers are not indicated on the flat cable, use the triangle mark as a reference for wiring.
- Since solenoid valves do not have polarity, either the +COM or –COM can be used.

Usable No. of Solenoids

Model	Max. no. of solenoids
Tie-rod base type 10	SV1000 to SV4000 18
Cassette base type 16	SV1000 18
	SV2000 18

10PH/16PH Flat Ribbon Cable Type (10 pins)



- This circuit has double wiring specifications for up to 4 stations. Since the usable number of solenoids differs depending on the manifold type, refer to the table below. In the case of single solenoids, connect to SOL. A. Furthermore, when wiring is specified on a manifold specification sheet, connections are made without skipping any connectors, and signals A for single and A, B for double are in order 1 → 2 → 3 → 4, etc.
- Stations are counted from D side (connector side) as the 1st one.
- Since terminal numbers are not indicated on the flat cable, use the triangle mark as a reference for wiring.
- Since solenoid valves do not have polarity, either the +COM or –COM can be used.

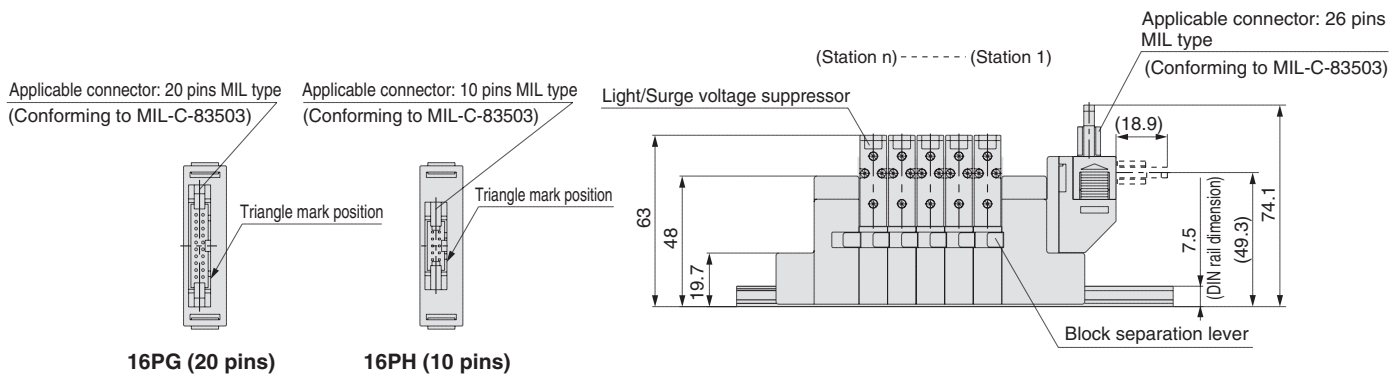
Usable No. of Solenoids

Model	Max. no. of solenoids
Tie-rod base type 10	SV1000 to SV4000 8
Cassette base type 16	SV1000 8
	SV2000 8

Dimensions: Series SV1000 for Flat Ribbon Cable

● **Cassette base manifold : SS5V1-16^P_{PG}D₂^U-[Stations]_D(S, R, RS)-^{C3, N1}_{C4, N3}^{C6, N7}**

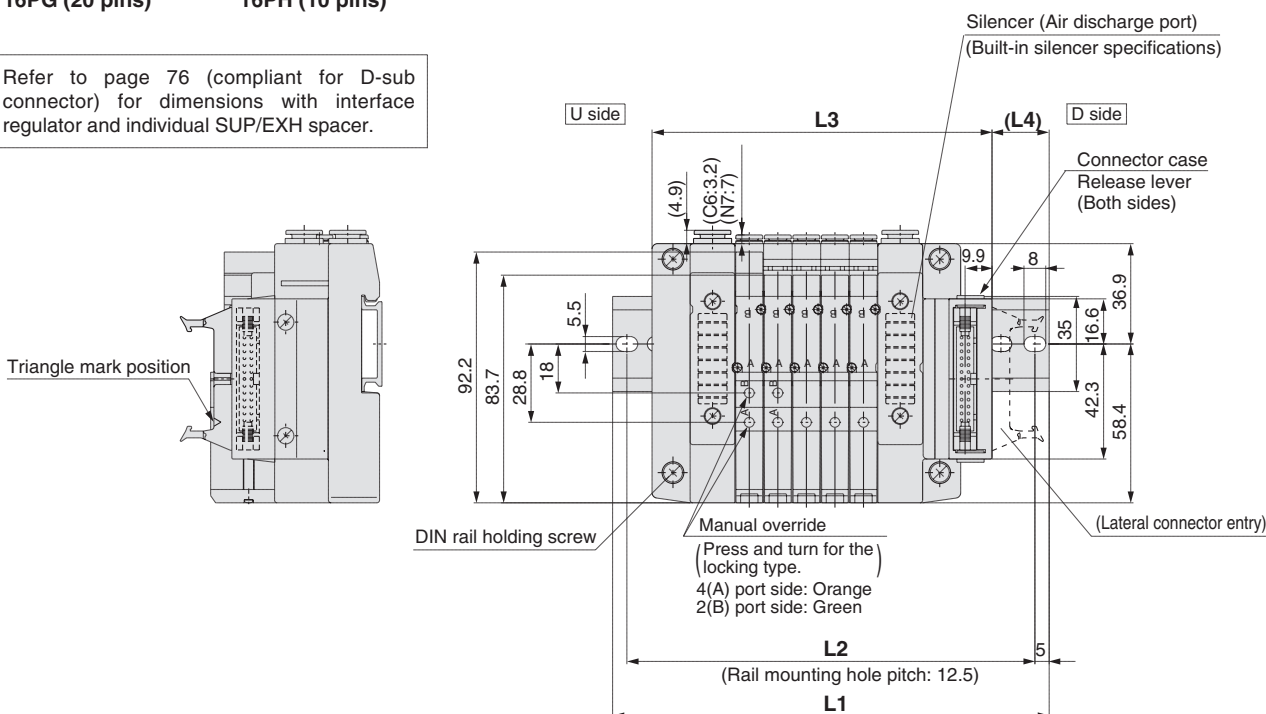
- When P, E port outlets are indicated on the U side or D side, the P, E ports on the opposite side are plugged.
- External pilot port positions and silencer discharge port positions are the same as P, E port outlet positions.



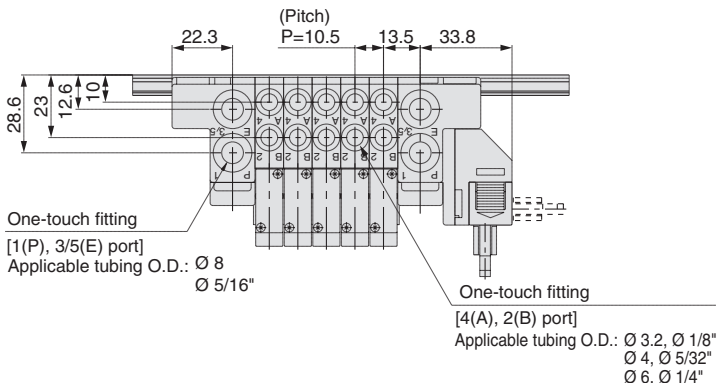
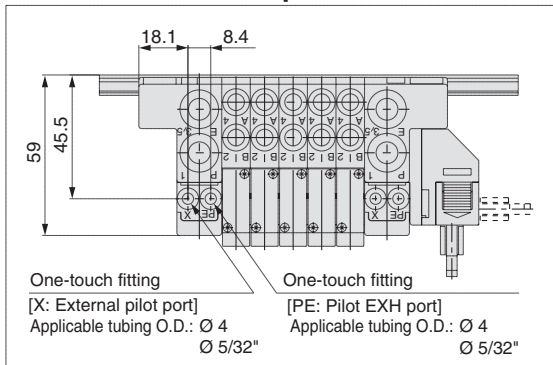
16PG (20 pins)

16PH (10 pins)

Refer to page 76 (compliant for D-sub connector) for dimensions with interface regulator and individual SUP/EXH spacer.



With External Pilot Specifications



L Dimension

n : Stations

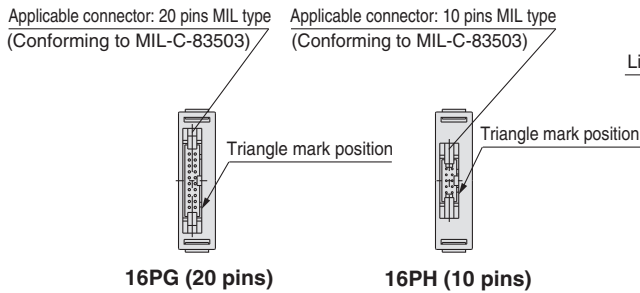
L ⁿ	2	3	4	5	6	7	8	9	10	11	12	13	14	15	16	17	18
L1	135.5	135.5	148	160.5	173	185.5	198	198	210.5	223	235.5	248	260.5	260.5	273	285.5	298
L2	125	125	137.5	150	162.5	175	187.5	187.5	200	212.5	225	237.5	250	250	262.5	275	287.5
L3	93.5	104	114.5	125	135.5	146	156.5	167	177.5	188	198.5	209	219.5	230	240.5	251	261.5
L4	24.5	19	20	21	22	23	24	19	20	21	22	23	24	18.5	19.5	20.5	21.5

Series SV

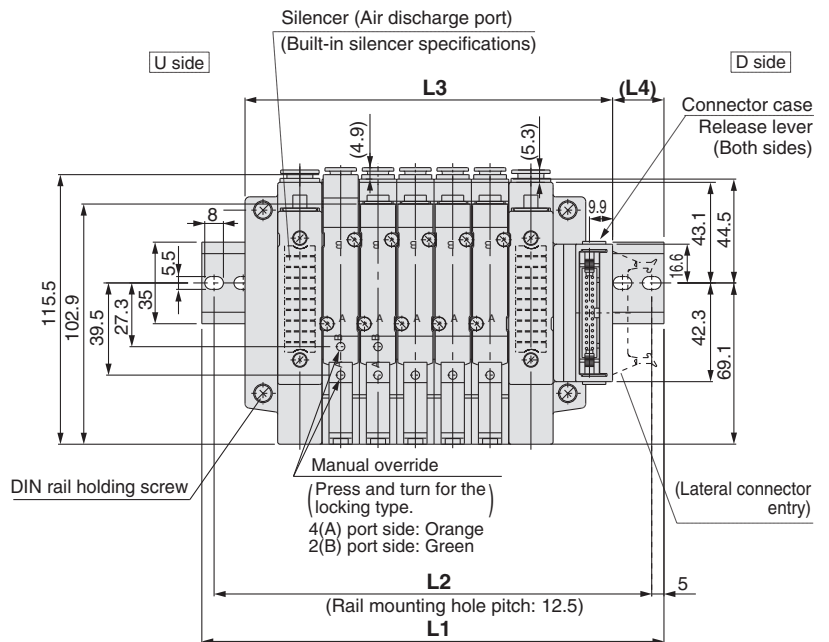
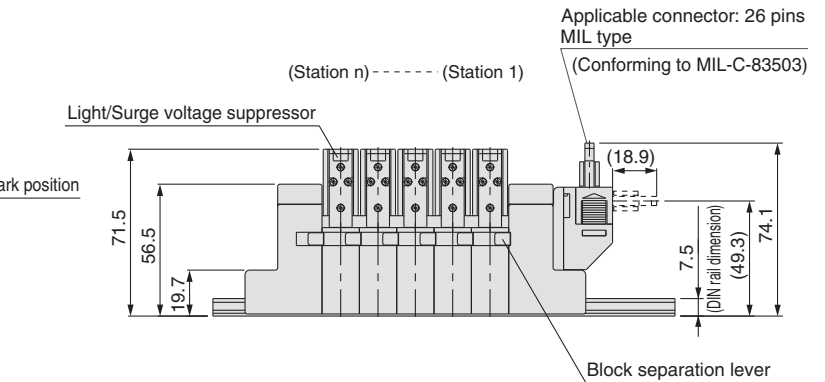
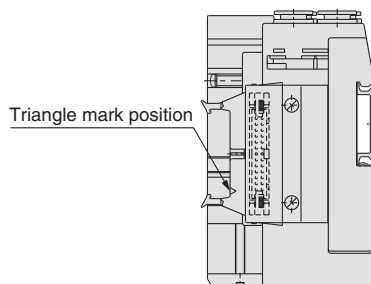
Dimensions: Series SV2000 for Flat Ribbon Cable

● **Cassette base manifold : SS5V2-16** ^P_{PG} ^D_{PH} ² - [Stations] ^U_D (S, R, RS) ^{C4, N3}_{C6, N7} ^{C8, N9}

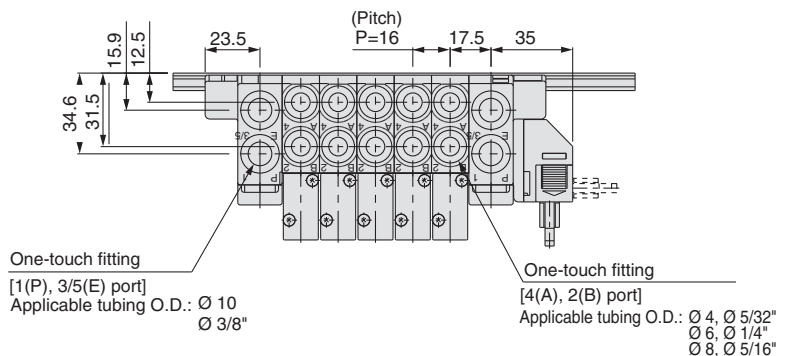
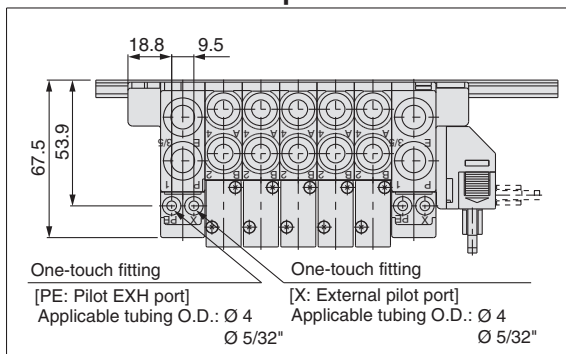
- When P, E port outlets are indicated on the U side or D side, the P, E ports on the opposite side are plugged.
- External pilot port positions and silencer discharge port positions are the same as P, E port outlet positions.



Refer to page 76 (compliant for D-sub connector) for dimensions with interface regulator and individual SUP/EXH spacer.



With External Pilot Specifications



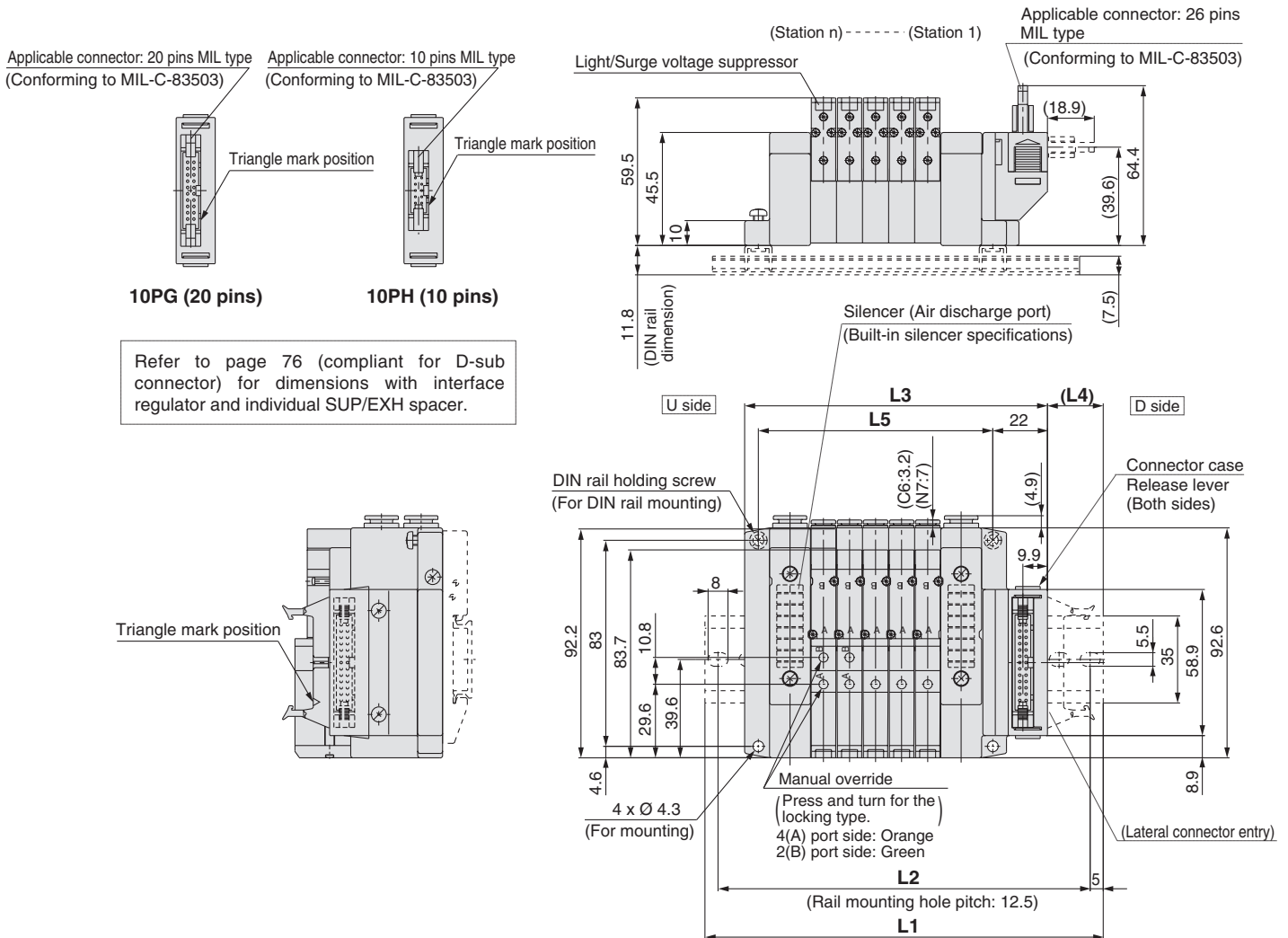
L Dimension

L \ n	n : Stations																			
	2	3	4	5	6	7	8	9	10	11	12	13	14	15	16	17	18	19	20	
L1	148	160.5	173	198	210.5	223	235.5	260.5	273	285.5	310.5	323	335.5	348	373	385.5	398	423	435.5	
L2	137.5	150	162.5	187.5	200	212.5	225	250	262.5	275	300	312.5	325	337.5	362.5	375	387.5	412.5	425	
L3	109.5	125.5	141.5	157.5	173.5	189.5	205.5	221.5	237.5	253.5	269.5	285.5	301.5	317.5	333.5	349.5	365.5	381.5	397.5	
L4	22.5	21	19	23.5	22	20	18.5	23	21	19.5	24	22	20.5	18.5	23	21.5	19.5	24	22.5	

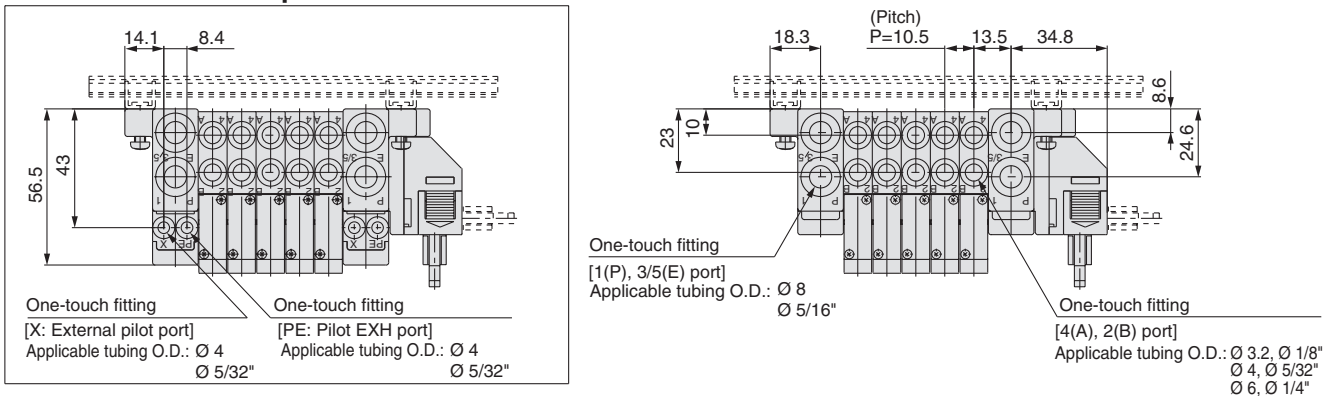
Dimensions: Series SV1000 for Flat Ribbon Cable

● Tie-rod base manifold : SS5V1-10^P_{PH} D₂ - Stations^U_D (S, R, RS) - C₄, N₁, N₃, N₇ (C, N) (D)

- When P, E port outlets are indicated on the U side or D side, the P, E ports on the opposite side are plugged.
- External pilot port positions and silencer discharge port positions are the same as P, E port outlet positions.



With External Pilot Specifications



L Dimension

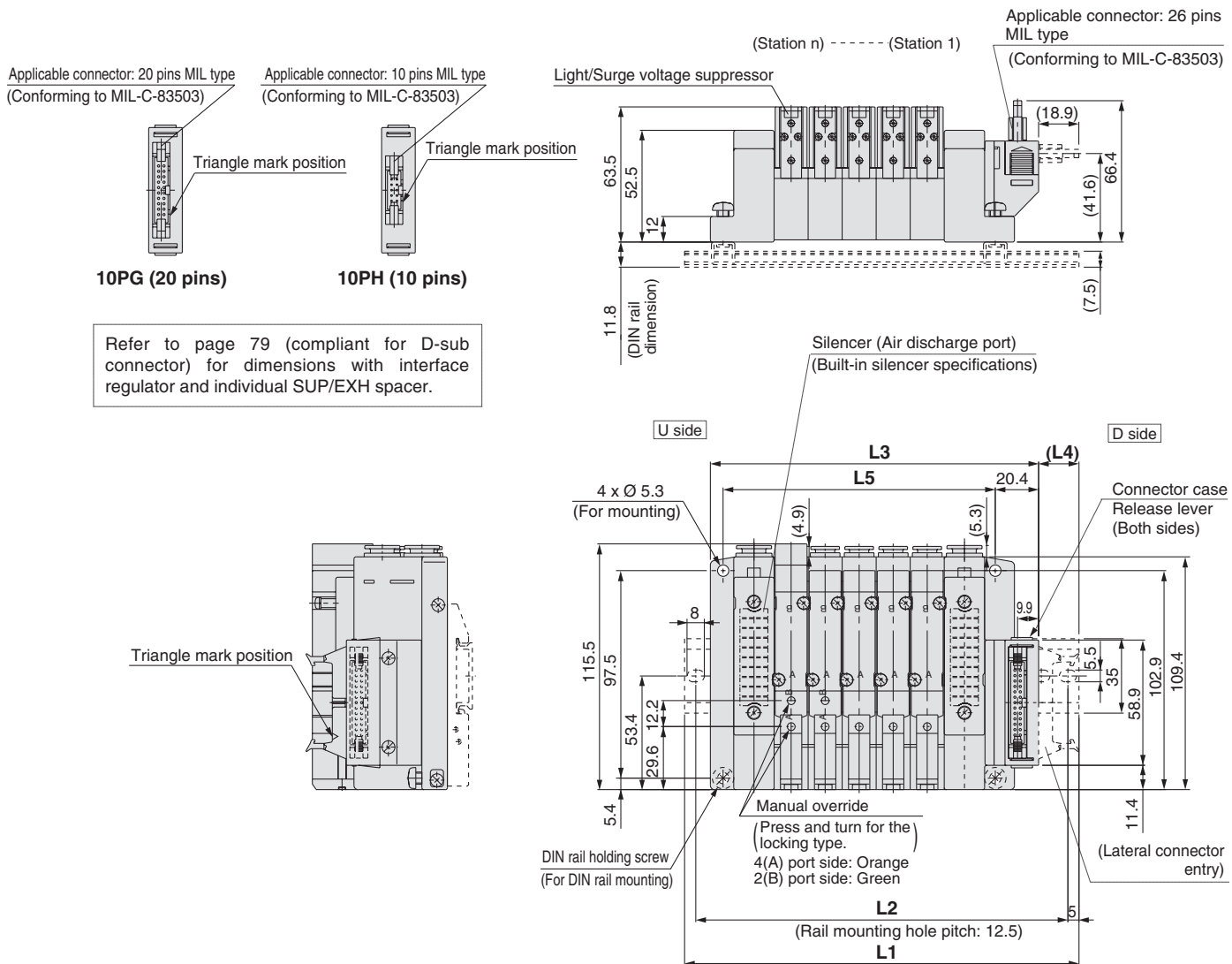
L ⁿ	n : Stations																			
	2	3	4	5	6	7	8	9	10	11	12	13	14	15	16	17	18	19	20	
L ₁	123	135.5	148	160.5	173	173	185.5	198	210.5	223	235.5	248	248	260.5	273	285.5	298	310.5	310.5	
L ₂	112.5	125	137.5	150	162.5	162.5	175	187.5	200	212.5	225	237.5	237.5	250	262.5	275	287.5	300	300	
L ₃	90.5	101	111.5	122	132.5	143	153.5	164	174.5	185	195.5	206	216.5	227	237.5	248	258.5	269	279.5	
L ₄	19.5	20.5	21.5	22.5	23.5	18.5	19.5	20.5	21.5	22.5	23.5	24.5	19	20	21	22	23	24	19	
L ₅	63	73.5	84	94.5	105	115.5	126	136.5	147	157.5	168	178.5	189	199.5	210	220.5	231	241.5	252	

Series SV

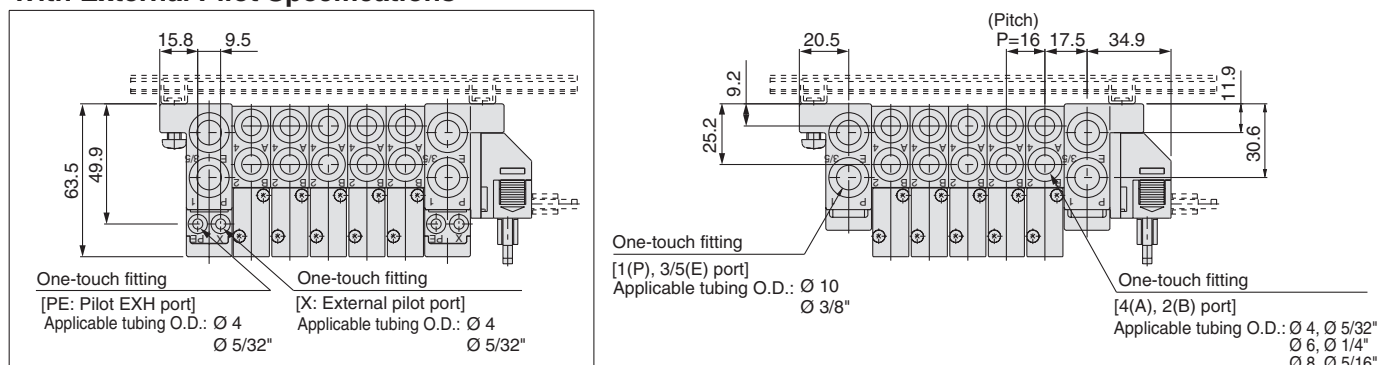
Dimensions: Series SV2000 for Flat Ribbon Cable

● Tie-rod base manifold : SS5V2-10 ^PPG ^DD₂¹ - (Stations) _BU (S, R, RS) - ^CC₄ ^NN₃ ^CC₆ ^NN₇ ^CC₈ ^NN₉ (-D)

- When P, E port outlets are indicated on the U side or D side, the P, E ports on the opposite side are plugged.
- External pilot port positions and silencer discharge port positions are the same as P, E port outlet positions.



With External Pilot Specifications



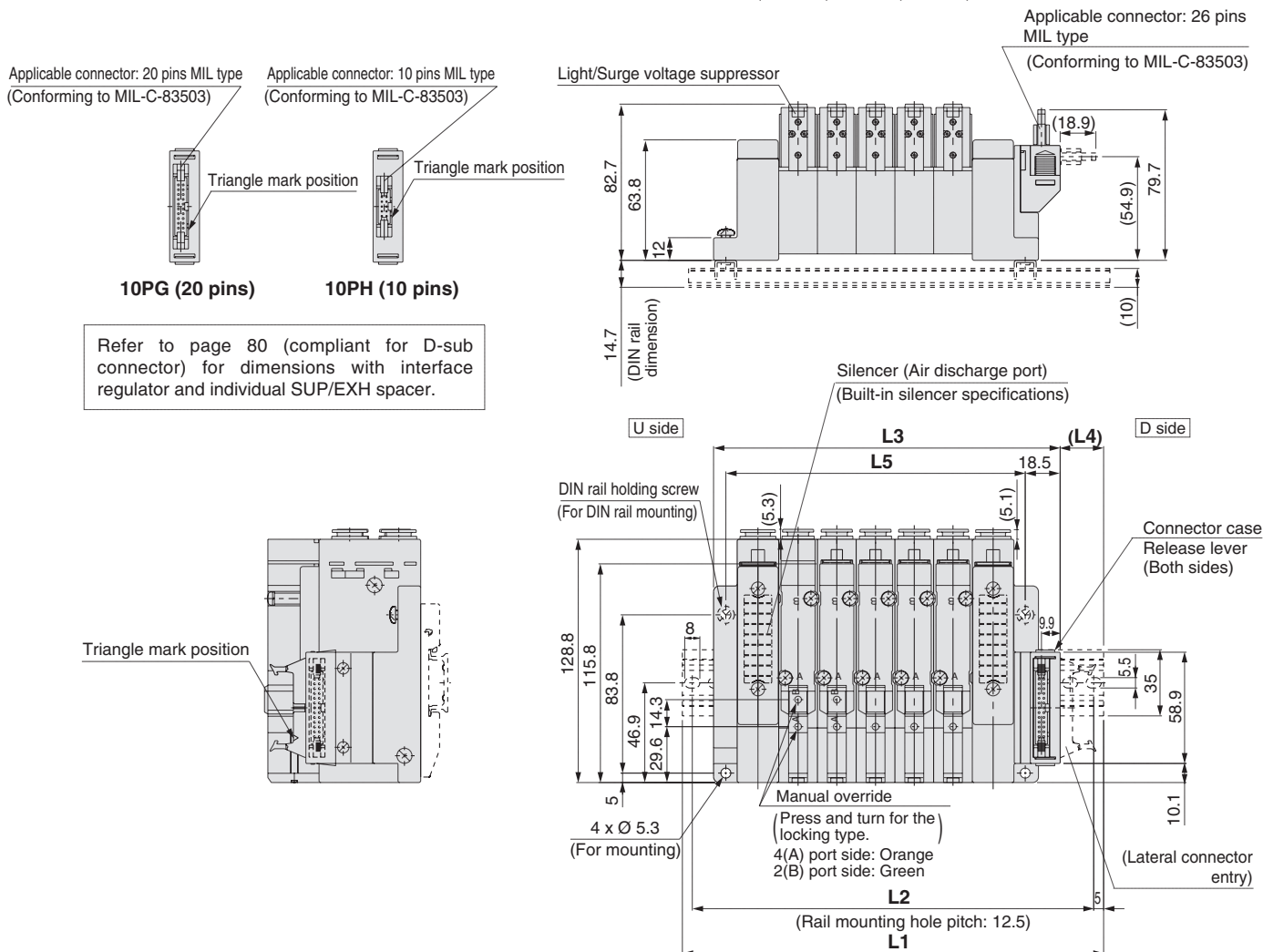
L Dimension

L _n	2	3	4	5	6	7	8	9	10	11	12	13	14	15	16	17	18	19	20	n : Stations
L ₁	148	160.5	173	185.5	210.5	223	235.5	248	273	285.5	298	323	335.5	348	360.5	385.5	398	410.5	435.5	
L ₂	137.5	150	162.5	175	200	212.5	225	237.5	262.5	275	287.5	312.5	325	337.5	350	375	387.5	400	425	
L ₃	106.4	122.4	138.4	154.4	170.4	186.4	202.4	218.4	234.4	250.4	266.4	282.4	298.4	314.4	330.4	346.4	362.4	378.4	394.4	
L ₄	24	22.5	20.5	19	23.5	21.5	20	18	22.5	21	19	23.5	22	20	18.5	23	21	19.5	24	
L ₅	80	96	112	128	144	160	176	192	208	224	240	256	272	288	304	320	336	352	368	

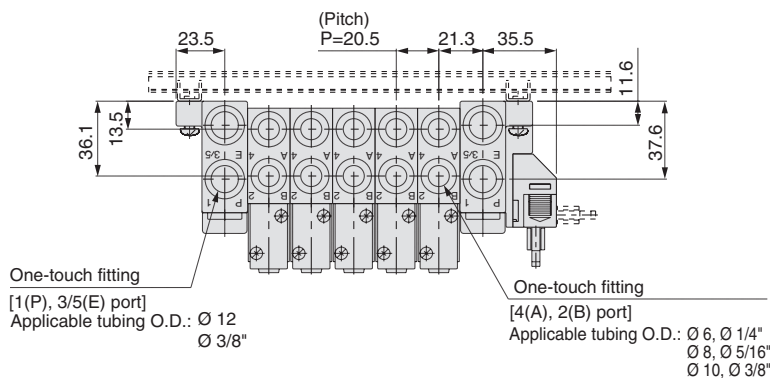
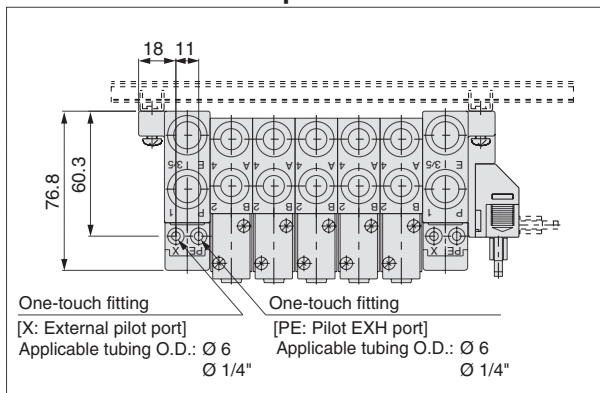
Dimensions: Series SV3000 for Flat Ribbon Cable

● Tie-rod base manifold : SS5V3-10^P_{PG}D₂¹-[Stations]_D^U(S, R, RS)-C_{6, N7}^{C8, N9}_{C10, N11}(-D)

- When P, E port outlets are indicated on the U side or D side, the P, E ports on the opposite side are plugged.
- External pilot port positions and silencer discharge port positions are the same as P, E port outlet positions.
(Station n) ----- (Station 1)



With External Pilot Specifications



L Dimension

L ⁿ	2	3	4	5	6	7	8	9	10	11	12	13	14	15	16	17	18	19	20
L1	160.5	173	198	223	235.5	260.5	285.5	298	323	348	360.5	385.5	398	423	448	460.5	485.5	510.5	523
L2	150	162.5	187.5	212.5	225	250	275	287.5	312.5	337.5	350	375	387.5	412.5	437.5	450	475	500	512.5
L3	122	142.5	163	183.5	204	224.5	245	265.5	286	306.5	327	347.5	368	388.5	409	429.5	450	470.5	491
L4	22.5	18.5	21	23	19	21.5	23.5	19.5	22	24	20	22.5	18.5	20.5	23	19	21	23.5	19.5
L5	97	117.5	138	158.5	179	199.5	220	240.5	261	281.5	302	322.5	343	363.5	384	404.5	425	445.5	466

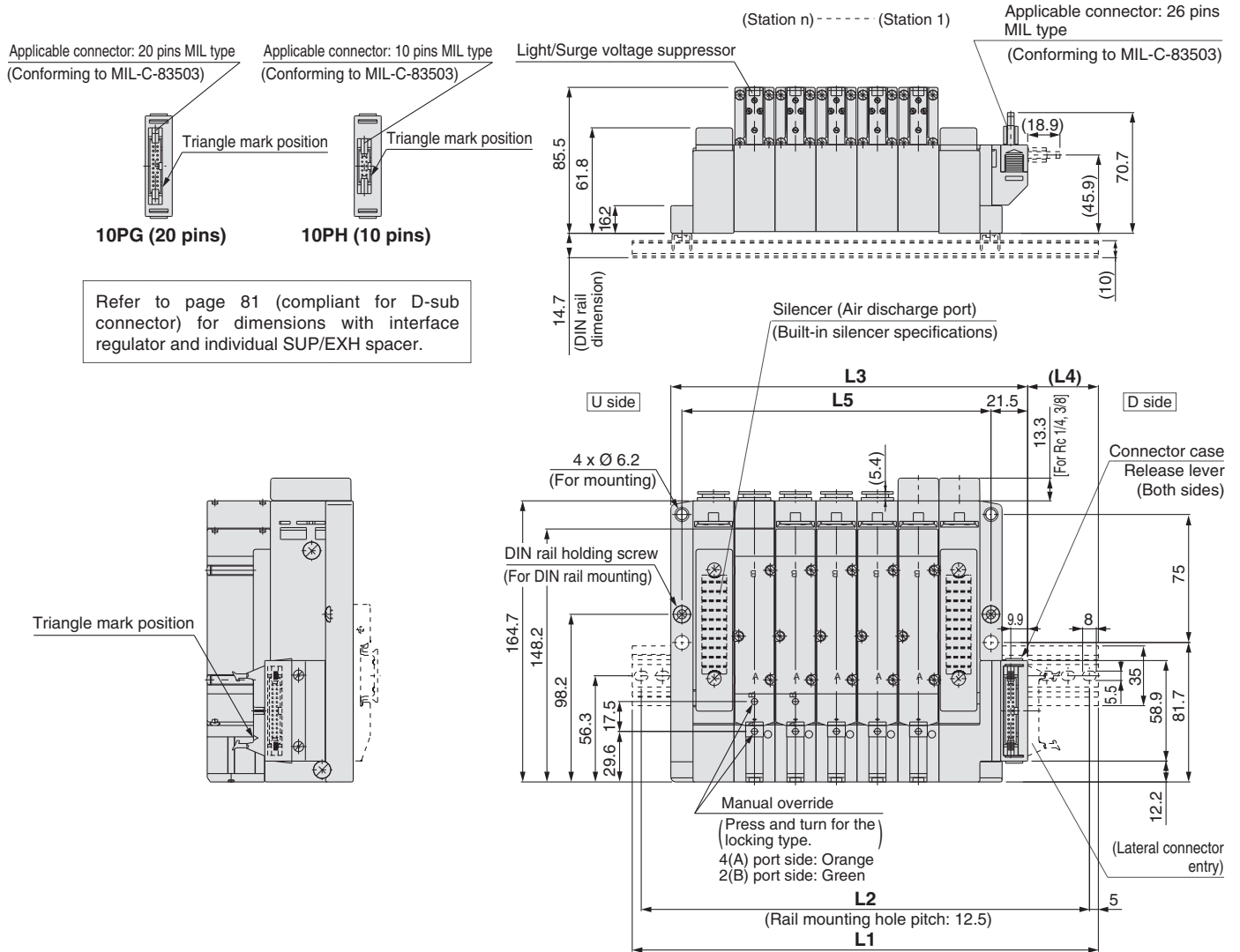
n : Stations

Series SV

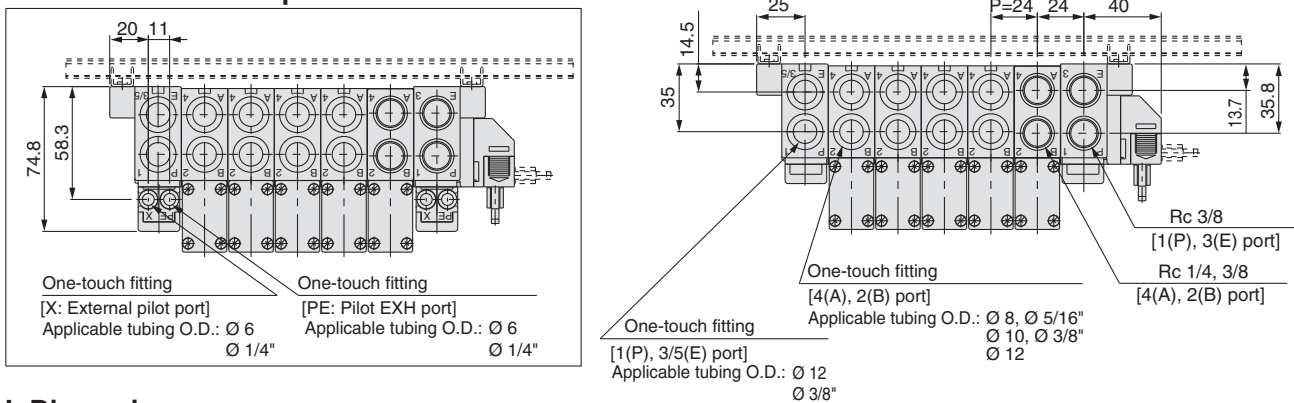
Dimensions: Series SV4000 for Flat Ribbon Cable

● Tie-rod base manifold : SS5V4-10^P_{PH}D₂¹-[Stations]_D^U(S, R, RS)-02, C8, N9, C10, N11 (-D)_{C12}

- When P, E port outlets are indicated on the U side or D side, the P, E ports on the opposite side are plugged.
- External pilot port positions and silencer discharge port positions are the same as P, E port outlet positions.



With External Pilot Specifications



L Dimension

L ⁿ	2	3	4	5	6	7	8	9	10	11	12	13	14	15	16	17	18	19	20
L1	185.5	210.5	235.5	260.5	285.5	310.5	335.5	348	373	398	423	448	473	498	523	548	573	598	623
L2	175	200	225	250	275	300	325	337.5	362.5	387.5	412.5	437.5	462.5	487.5	512.5	537.5	562.5	587.5	612.5
L3	137	161	185	209	233	257	281	305	329	353	377	401	425	449	473	497	521	545	569
L4	31.5	31.5	31.5	31.5	31.5	31.5	31.5	31.5	31.5	31.5	31.5	31.5	31.5	31.5	31.5	31.5	31.5	31.5	31.5
L5	109	133	157	181	205	229	253	277	301	325	349	373	397	421	445	469	493	517	541

n : Stations

Type 16: Cassette Base Manifold Exploded View

⚠ Caution

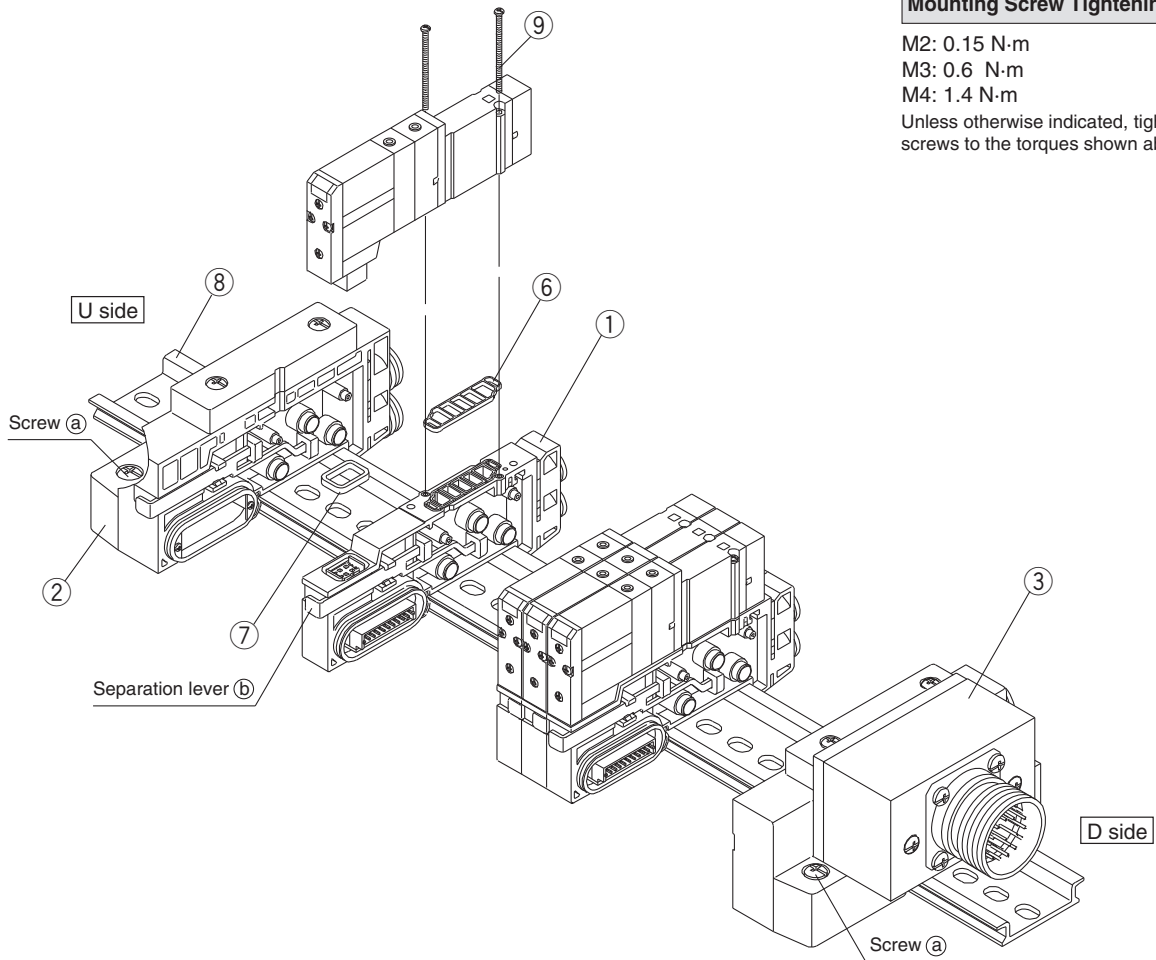
Mounting Screw Tightening Torques

M2: 0.15 N·m

M3: 0.6 N·m

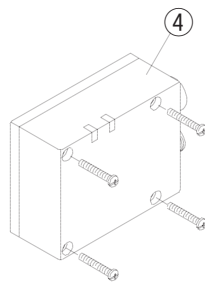
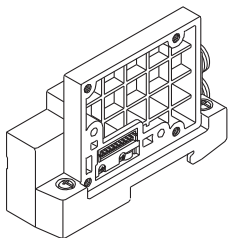
M4: 1.4 N·m

Unless otherwise indicated, tighten mounting screws to the torques shown above.

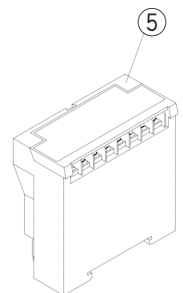
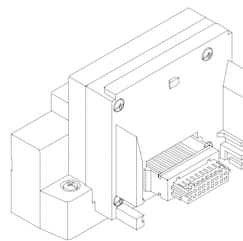


③ SUP/EXH block assembly

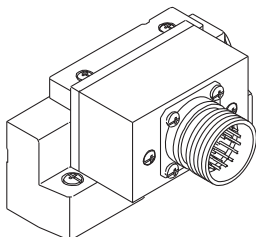
EX500 (Type 16SA2W)



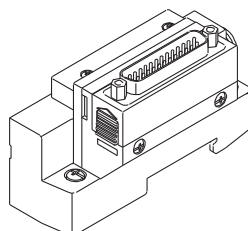
EX120 (Type 16S3□)



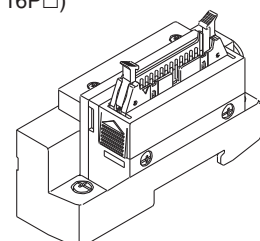
Circular connector (Type 16C)



D-sub connector (Type 16F□)



For Flat ribbon cable connector (Type 16P□)



① **Manifold Block Assembly Part No.**

Series	Wiring specifications	Manifold block assembly part no.	Note
SV1000	Single	SV1000-50-3A-□□	C3: With One-touch fitting for Ø 3.2 N1: One-touch fitting for Ø 1/8" C4: With One-touch fitting for Ø 4 N3: One-touch fitting for Ø 5/32" C6: With One-touch fitting for Ø 6 N7: One-touch fitting for Ø 1/4" (Gaskets ⑥ and ⑦ are included.)
	Double	SV1000-50-4A-□□	
SV2000	Single	SV2000-50-3A-□□	C4: With One-touch fitting for Ø 4 N3: One-touch fitting for Ø 5/32" C6: With One-touch fitting for Ø 6 N7: One-touch fitting for Ø 1/4" C8: With One-touch fitting for Ø 8 N9: One-touch fitting for Ø 5/16" (Gaskets ⑥ and ⑦ are included.)
	Double	SV2000-50-4A-□□	

② **SUP/EXH end block assembly** SV □ 000 – 52U – 2 A □ – □

③ **SUP/EXH block assembly** SV □ 000 – 51D □ – □ A □ – □

Series ●

1	SV1000
2	SV2000

Connector entry direction ●

—	None (others than D-Sub, flat types)
1	Upward (D-Sub, flat types only)
2	Lateral (D-Sub, flat types only)

SUP/EXH block assembly specifications ●

30	For EX500 (decentralised serial)
32	For circular connector
33	D-sub connector
34	For flat ribbon cable connector (26 pins)
35	For flat ribbon cable connector (20 pins)
36	For flat ribbon cable connector (10 pins)
38	For EX120 (dedicated output serial)

* Since EX500 and EX120 type SI units are not included, order them separately.

● **P, E port size**

C8	One-touch fitting for Ø 8	SV1000
N9	One-touch fitting for Ø 5/16"	
C10	One-touch fitting for Ø 10	SV2000
N11	One-touch fitting for Ø 3/8"	
00 ^{Note 1)}	Plug	All series
00U ^{Note 2)}		

Note 1) "00" (Plug) is not available for S, R and RS types.

Note 2) "00U" is available only for D-sub connectors and the lock bracket size is in inches.

● **Pilot specifications**

—	Internal pilot specifications
S	Internal pilot/Built-in silencer
R	External pilot specifications
RS	External pilot/Built-in silencer

No.	Description	Part no.		Note
		SV1000	SV2000	
④	Series EX500 SI unit	EX500-S0001		
⑤	Series EX120 SI unit	Refer to page 53.		
⑥	Gasket	SX3000-57-4	SX5000-57-6	
⑦	Connector gasket	SX3000-146-2		
⑧	DIN rail	VZ1000-11-1-□		Refer to DIN rail dimension tables on page 114.
⑨	Round head combination screw	SX3000-22-2 (M2 x 24)	SV2000-21-1 (M3 x 30)	
		Tightening torque: 0.16N·m	Tightening torque: 0.8N·m	

Type 16: Cassette Base Manifold

How to increase manifold bases (Type 16)

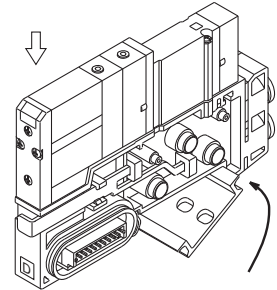
(1) Loosen the screws (a) (2 pcs. on one side) that hold the manifold base onto the DIN rail.
(When removing the manifold base from the DIN rail, loosen the holding screws at four locations.)

(2) Using a flat head screwdriver, etc., pull the lever (b) forward on the manifold block assembly where a station is to be added, and disconnect the manifold block assemblies.

(3) Attach the manifold block assembly to be added to the DIN rail as shown in the figure.

(4) Connect the block assemblies by pressing them together, and push the lever (b) in firmly until it stops.
Then secure them to the DIN rail by tightening the screws (a).

⚠ Caution (Tightening torque: 1.4 N·m)



Hook this part onto the DIN rail, and press down in the direction of the arrow.

Figure. Block mounting procedure

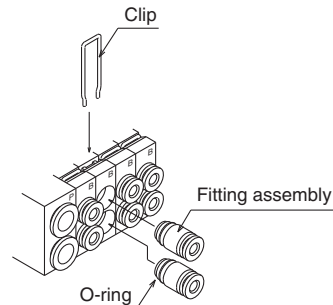
⚠ Caution

Fitting assembly replacement

By replacing manifold fitting assemblies, it is possible to change the size of the A, B ports and P, E ports. To replace them, Remove the clip with a flat head screwdriver, etc., and pull out the fitting assembly. Mount the new fitting assembly by inserting it and then replacing the clip to its fully inserted position.

Fitting Assembly Part No.

Port size		SV1000	SV2000
A, B Port	One-touch fitting for Ø 3.2	VVQ1000-50A-C3	—
	One-touch fitting for Ø 4	VVQ1000-50A-C4	VVQ1000-51A-C4
	One-touch fitting for Ø 6	VVQ1000-50A-C6	VVQ1000-51A-C6
	One-touch fitting for Ø 8	—	VVQ1000-51A-C8
	One-touch fitting for Ø 1/8"	VVQ1000-50A-N1	—
	One-touch fitting for Ø 5/32"	VVQ1000-50A-N3	VVQ1000-51A-N3
	One-touch fitting for Ø 1/4"	VVQ1000-50A-N7	VVQ1000-51A-N7
	One-touch fitting for Ø 5/16"	—	VVQ1000-51A-N9
P, E Port	One-touch fitting for Ø 8	VVQ1000-51A-C8	—
	One-touch fitting for Ø 10	—	VVQ2000-51A-C10
	One-touch fitting for Ø 5/16"	VVQ1000-51A-N9	—
	One-touch fitting for Ø 3/8"	—	VVQ2000-51A-N11



Note 1) Be careful to avoid damage or contamination of O-rings, as this can cause air leakage.

Note 2) When removing a fitting assembly from a valve, after removing the clip, attach tubing or a plug (KQ2P-□□) to the One-touch fitting, and pull it out while holding the tubing (or plug). If it is pulled out while holding the release button of the fitting assembly (resin part), the release button may be damaged.

Note 3) Be sure to shut off the power and air supplies before disassembly. Furthermore, since air may remain inside the actuator, piping and manifold, confirm that the air is completely exhausted before performing any work.

■ How to order cassette base type 16 solenoid valves with manifold block

[Series SV1000/SV2000]

• Type with manifold block is used when adding stations, etc.

SV 1 1 0 0 - 5 F - - - -

Series

1	SV1000
2	SV2000

Type of actuation

1	2 position single
2	2 position double
3	3 position closed centre
4	3 position exhaust centre
5	3 position pressure centre
A	4 position dual 3 port valve: N.C./N.C.
B	4 position dual 3 port valve: N.O./N.O.
C	4 position dual 3 port valve: N.C./N.O.

Pilot type

—	Internal pilot
R	External pilot

* External pilot specifications is not available for 4 position dual 3 port valves.

Back pressure check valve

—	None
K	Built-in

* Back pressure check valve is not available for 3 position valve.
* Built-in back pressure check valve type is applicable to series SV1000 only.

Note) Refer to Specific Product Precautions 2 on page 127.

Made to Order

X90	Main valve fluororubber (Refer to page 125.)
-----	--

A, B port size
Refer to "How to Order" on pages 15, 53, 73 and 84.

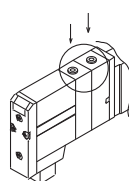
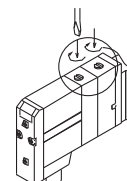
Manifold wiring specifications

—	Double wiring
S	Single wiring

Manifold block type

C	Cassette base type 16 with manifold block
---	---

Manual override

—: Non-locking push type	D: Push-turn locking slotted type
	

Light/Surge voltage suppressor

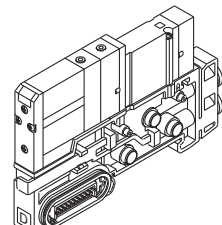
U	With light/surge voltage suppressor
R	With surge voltage suppressor

Rated voltage

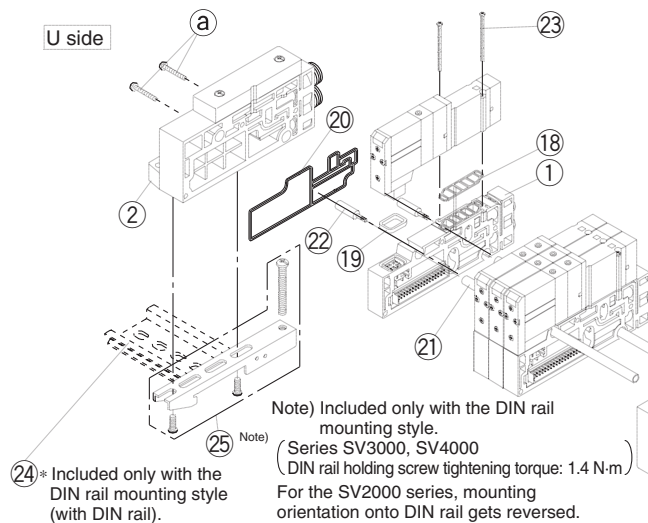
5	24 V DC
6	12 V DC

* Note that serial wiring manifolds (EX250, EX260, EX120, EX126, EX500, EX600) and PC wiring are only available with 24 V DC.

Example (SV1000)
SV1200-5FU-C-C6



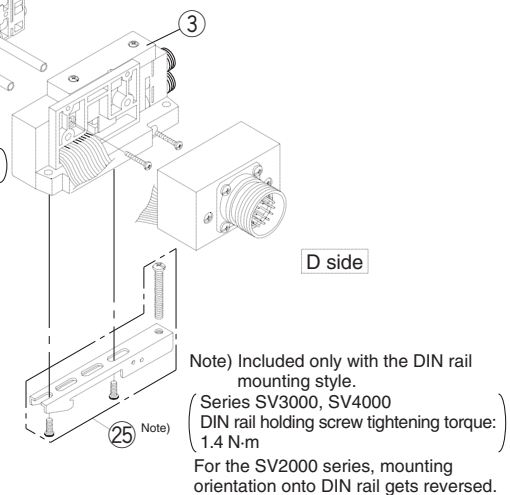
Type 10: Tie-rod Base Manifold Exploded View



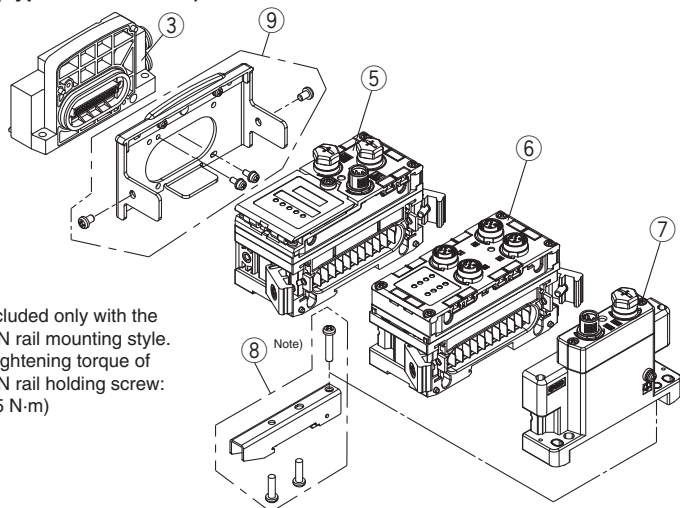
⚠ Caution

Mounting Screw Tightening Torques

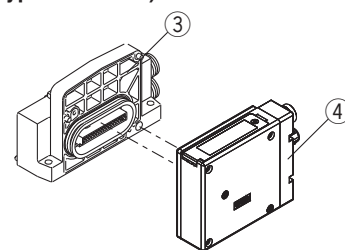
M2: 0.15 N·m
M3: 0.6 N·m
M4: 1.4 N·m
M5: 2.9 N·m
Unless otherwise indicated, tighten mounting screws to the torques shown above.



EX600 (Type 10S6□□□D)

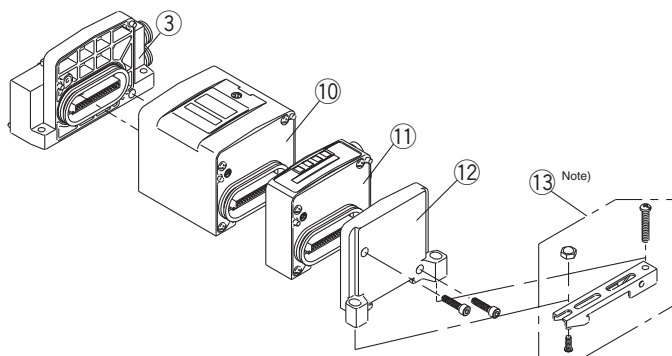


EX500 (Type 10S1□□D)

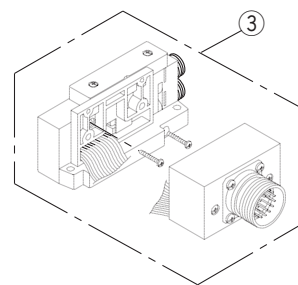


EX250 (Type 10S1□W)

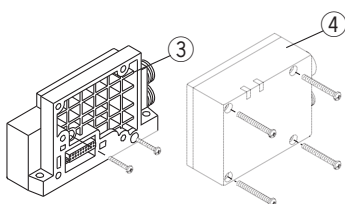
Note) Included only with the DIN rail mounting style.
(Tightening torque of DIN rail holding screw: 0.5 N·m)
For the SV2000 series, mounting orientation onto DIN rail gets reversed.



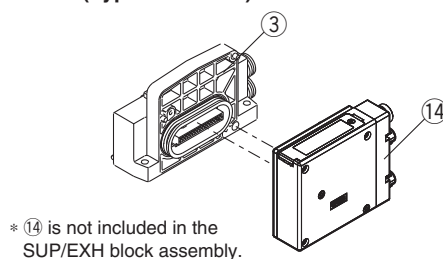
Circular connector (Type 10C)



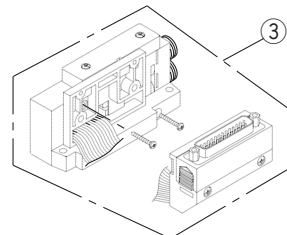
EX500 (Type 10SA□W)

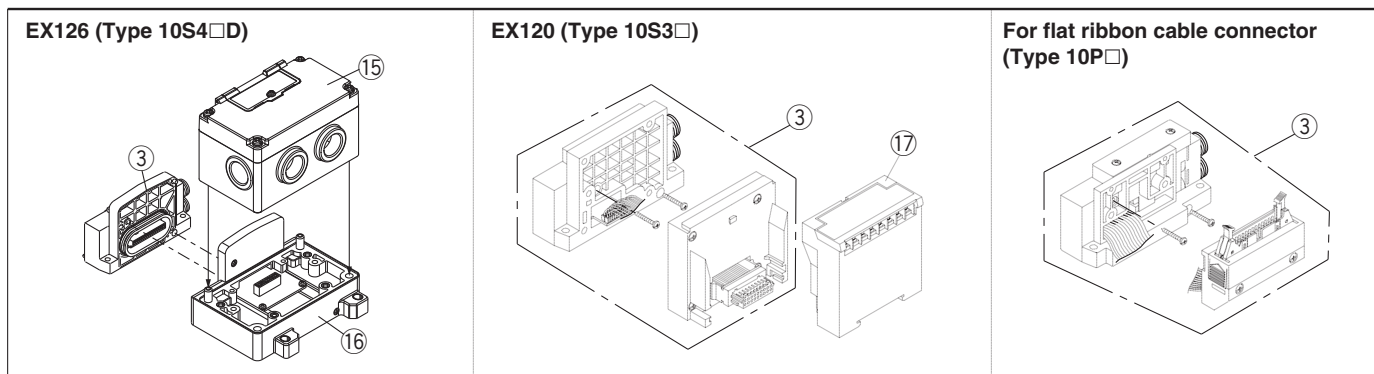


EX260 (Type 10S1□□D)



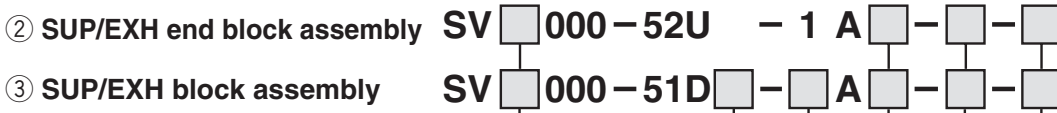
D-sub connector (Type 10F)





① Manifold Block Assembly Part No.

Series	Wiring specifications	Manifold block assembly part no.	Note
SV1000	Single	SV1000-50-1A-□□	C3: With Ø 3.2 One-touch fitting N1: Ø 1/8" One-touch fitting C4: With Ø 4 One-touch fitting N3: Ø 5/32" One-touch fitting C6: With Ø 6 One-touch fitting N7: Ø 1/4" One-touch fitting (Tie-rod for station additions ② and gaskets ⑱, ⑲, and ⑳ are included.)
	Double	SV1000-50-2A-□□	
SV2000	Single	SV2000-50-1A-□□	C4: With Ø 4 One-touch fitting N3: Ø 5/32" One-touch fitting C6: With Ø 6 One-touch fitting N7: Ø 1/4" One-touch fitting C8: With Ø 8 One-touch fitting N9: Ø 5/16" One-touch fitting (Tie-rod for station additions ② and gaskets ⑱, ⑲, and ⑳ are included.)
	Double	SV2000-50-2A-□□	
SV3000	Single	SV3000-50-1A-□□	C6: With Ø 6 One-touch fitting N7: Ø 1/4" One-touch fitting C8: With Ø 8 One-touch fitting N9: Ø 5/16" One-touch fitting C10: With Ø 10 One-touch fitting N11: Ø 3/8" One-touch fitting (Tie-rod for station additions ② and gaskets ⑱, ⑲, and ⑳ are included.)
	Double	SV3000-50-2A-□□	
SV4000	Single	SV4000-50-1A-□□	C8: With Ø 8 One-touch fitting N9: Ø 5/16" One-touch fitting C10: With Ø 10 One-touch fitting N11: Ø 3/8" One-touch fitting C12: With Ø 12 One-touch fitting 02: Rc 1/4 02N: NPT 1/4 03: Rc 3/8 03N: NPT 3/8 02F: G 1/4 02T: NPTF 1/4 03F: G 3/8 03T: NPTF 3/8 (Tie-rod for station additions ② and gaskets ⑱, ⑲, and ⑳ are included.)
	Double	SV4000-50-2A-□□	



Series ●

1	SV1000
2	SV2000
3	SV3000
4	SV4000

Connector entry direction ●

—	None (others than D-Sub, flat types)
1	Upward (D-Sub, flat types only)
2	Lateral (D-Sub, flat types only)

Mounting ●

—	Direct mounting
DO	DIN rail mounting

SUP/EXH block assembly specifications

10	For EX500 (Gateway Decentralised System) For EX500 (Gateway Decentralised System 2)
11	For EX600
	For EX250
	For EX260
For EX126	
12	For circular connector
13	D-sub connector
14	For flat ribbon cable connector (26 pins)
15	For flat ribbon cable connector (20 pins)
16	For flat ribbon cable connector (10 pins)
18	For EX120 (dedicated output serial)

Pilot type ●

—	Internal pilot
S	Internal pilot/Built-in silencer
R	External pilot
RS	External pilot/Built-in silencer

● P, E port size

Port	Fitting	Series
C8	Ø 8 One-touch fitting	SV1000
N9	Ø 5/16" One-touch fitting	SV2000
C10	Ø 10 One-touch fitting	
N11	Ø 3/8" One-touch fitting	SV3000
C12	Ø 12 One-touch fitting	
N11	Ø 3/8" One-touch fitting	SV4000
03	Rc 3/8	SV4000
03F	G 3/8	
03N	NPT 3/8	
03T	NPTF 3/8	
00 (Note 1)	Plug	All series
00U (Note 2)		

Note 1) "00" (Plug) is not available for S, R and RS types.
Note 2) "00U" is available only for D-sub connectors and the lock bracket size is in inches.

* Since EX500, EX600, EX250, EX260, EX126 and EX120 type SI units are not included, order them separately.

Type 10: Tie-rod Base Manifold Exploded View

No.	Description	Part no.				Note
		SV1000	SV2000	SV3000	SV4000	
4	Series EX500 SI unit		Refer to page 9.		—	Gateway Decentralised System 2 (128 points)
			Refer to page 15.		—	Gateway Decentralised System (64 points)
			EX600-SDN1A		—	DeviceNet™ PNP (Negative common)
			EX600-SDN2A		—	DeviceNet™ NPN (Positive common)
			EX600-SMJ1		—	CC-Link PNP (Negative common)
			EX600-SMJ2		—	CC-Link NPN (Positive common)
			EX600-SPR1A		—	PROFIBUS DP PNP (Negative common)
			EX600-SPR2A		—	PROFIBUS DP NPN (Positive common)
			EX600-SEN1		—	EtherNet/IP™ (1 port) PNP (Negative common)
			EX600-SEN2		—	EtherNet/IP™ (1 port) NPN (Positive common)
			EX600-SEN3		—	EtherNet/IP™ (2 port) PNP (Negative common)
			EX600-SEN4		—	EtherNet/IP™ (2 port) NPN (Positive common)
			EX600-SPN1		—	PROFINET PNP (Negative common)
			EX600-SPN2		—	PROFINET NPN (Positive common)
			EX600-WEN1 <small>Note 2)</small>		—	Wireless base module EtherNet/IP™ Negative common (PNP)
			EX600-WEN2 <small>Note 2)</small>		—	Wireless base module EtherNet/IP™ Positive common (NPN)
			EX600-WPN1 <small>Note 2)</small>		—	Wireless base module PROFINET Negative common (PNP)
			EX600-WPN2 <small>Note 2)</small>		—	Wireless base module PROFINET Positive common (NPN)
			EX600-WSN1 <small>Note 2)</small>		—	Wireless remote module Negative common (PNP)
			EX600-WSN2 <small>Note 2)</small>		—	Wireless remote module Positive common (NPN)
			EX600-DXNB		—	NPN input M12 connector 5 pins (4 pcs.) 8 inputs
			EX600-DXPB		—	PNP input M12 connector 5 pins (4 pcs.) 8 inputs
			EX600-DXNC		—	NPN input M8 connector 3 pins (8 pcs.) 8 inputs
			EX600-DXNC1		—	NPN input M8 connector 3 pins (8 pcs.) 8 inputs, with open circuit detection
			EX600-DXPC		—	PNP input M8 connector 3 pins (8 pcs.) 8 inputs
			EX600-DXPC1		—	PNP input M8 connector 3 pins (8 pcs.) 8 inputs, with open circuit detection
			EX600-DXND		—	NPN input M12 connector 5 pins (8 pcs.) 16 inputs
			EX600-DXPD		—	PNP input M12 connector 5 pins (8 pcs.) 16 inputs
			EX600-DXNE		—	NPN input D-sub connector 25 pins 16 inputs
			EX600-DXPE		—	PNP input D-sub connector 25 pins 16 inputs
			EX600-DXNF		—	NPN input spring type terminal block 32 pins 16 inputs
			EX600-DXPF		—	PNP input spring type terminal block 32 pins 16 inputs
			EX600-DYNB		—	NPN output M12 connector 5 pins (4 pcs.) 8 outputs
			EX600-DYPB		—	PNP output M12 connector 5 pins (4 pcs.) 8 outputs
			EX600-DYNE		—	NPN output D-sub connector 25 pins 16 outputs
			EX600-DYPE		—	PNP output D-sub connector 25 pins 16 outputs
			EX600-DYNF		—	NPN output spring type terminal block 32 pins 16 outputs
			EX600-DYPE		—	PNP output spring type terminal block 32 pins 16 outputs
			EX600-DMNE		—	NPN input/output D-sub connector 25 pins 8 inputs/outputs
			EX600-DMPE		—	PNP input/output D-sub connector 25 pins 8 inputs/outputs
			EX600-DMNF		—	NPN input/output spring type terminal block 32 pins 8 inputs/outputs
			EX600-DMPF		—	PNP input/output spring type terminal block 32 pins 8 inputs/outputs
	Series EX600 analogue input unit		EX600-AXA		—	M12 connector 5 pins (2 pcs.), 2-channel input
	Series EX600 analogue output unit		EX600-AYA		—	M12 connector 5 pins (2 pcs.), 2-channel output
	Series EX600 analogue input/output unit		EX600-AMB		—	M12 connector 5 pins (4 pcs.), 2-channel input/output
			EX600-ED2		—	M12 power supply connector, B-coded
			EX600-ED2-2		—	M12 power supply connector, B-coded, with DIN rail mounting bracket
			EX600-ED3		—	7/8 inch power supply connector
			EX600-ED3-2		—	7/8 inch power supply connector, with DIN rail mounting bracket
			EX600-ED4		—	M12 power supply connector IN/OUT, A-coded, Pin arrangement 1
			EX600-ED4-2		—	M12 power supply connector IN/OUT, A-coded, Pin arrangement 1, with DIN rail mounting bracket
			EX600-ED5		—	M12 power supply connector IN/OUT, A-coded, Pin arrangement 2
			EX600-ED5-2		—	M12 power supply connector IN/OUT, A-coded, Pin arrangement 2, with DIN rail mounting bracket
8	Clamp assembly for EX600		EX600-ZMA2		—	With mounting screws (M4 x 20 1 pc., M4 x 12 2 pcs.)
9	Valve plate for EX600		EX600-ZMV1		—	Enclosed parts: round head screws (M4 x 6) 2 pcs., round head screws (M3 x 8) 4 pcs.
10	Series EX250 SI unit		Refer to page 25.		—	M12, 2 inputs
			EX250-IE1		—	M12, 4 inputs
			EX250-IE2		—	M8, 4 inputs (3 pins)
			EX250-IE3		—	With mounting screws (M3 x 10, 2 pcs.)
12	Series EX250 end plate assembly		EX250-EA1		—	
13	For EX250 clamp assembly		SV1000-78A		—	
14	Series EX260 SI unit		Refer to page 41.		—	
15	Series EX126 SI unit		Refer to page 47.		—	
16	Terminal block plate		VVQC1000-74A-2		—	For mounting EX126 SI unit
17	Series EX120 SI unit		Refer to page 53.		—	
18	Gasket	SX3000-57-4	SX5000-57-6	SX7000-57-5	SY9000-11-2	
19	Connector gasket	SX3000-146-2	SX3000-146-2	SX3000-146-2	SX3000-146-2	
20	Manifold block gasket	SX3000-181-1	SX5000-138-1	SV3000-65-1	SV4000-65-2	
21	Tie-rod	SV1000-55-1-□□	SV2000-55-1-□□	SV3000-55-1-□□	SV4000-55-1-□□	□□: Manifold stations
22	Tie-rod for station addition	SV1000-55-2-1	SV2000-55-2A	SV3000-55-2A	SV4000-55-2A	
23	Round head combination screw (Valve mounting screw)	SX3000-22-2 (M2 x 24) Tightening torque: 0.16 N·m	SV2000-21-1 (M3 x 30) Tightening torque: 0.8 N·m	SV3000-21-1 (M4 x 35) Tightening torque: 1.4 N·m	SV2000-21-2 (M3 x 40) Tightening torque: 0.8 N·m	
24	DIN rail	VZ1000-11-1-□	VZ1000-11-1-□	VZ1000-11-4-□	VZ1000-11-4-□	Refer to DIN rail dimension tables on page 114.
25	Clamp assembly		SV1000-69A		SV3000-69A	
	Clamp assembly for EX600	SV1000-69A	SV2000-75A	SV3000-69A	—	

Note 1) Two pieces of ① and ② (tie-rod) are required for Series SV1000, and three pieces are required for Series SV2000, 3000 and 4000.

Two pieces of ③ (valve mounting screw) are required for Series SV1000, 2000 and 3000, and three pieces are required for Series SV4000.

Note 2) The wireless system is suitable for use only in a country where it is in accordance with the Radio Act and regulations of that country.

Type 10: Tie-rod Base Manifold

How to increase manifold bases (Type 10)

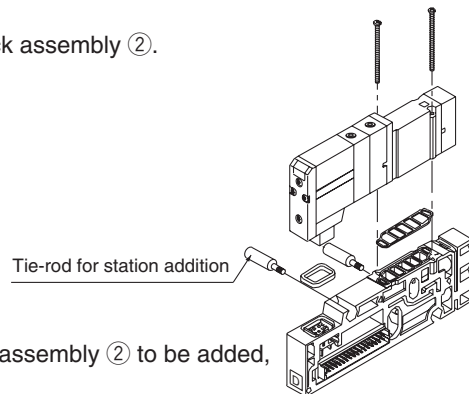
(1) Loosen the U side screws ③, and remove the SUP/EXH end block assembly ②.



(2) Screw in the tie-rods ⑭ for station addition.
(Screw them in until there is no gap between the tie-rods.)



(3) Connect the manifold assembly ① and supply/exhaust end block assembly ② to be added, and tighten the screws ③.



⚠ Caution Tightening torques ③
 SV1000, SV2000 0.6 N·m
 SV3000 1.4 N·m
 SV4000 2.9 N·m

Note) When eliminating manifold stations, the appropriate tie-rods ⑬ for the desired change should be ordered separately.
(When equipped with a DIN rail, be sure to tighten the DIN rail holding screws after tightening the tension bolts.)

⚠ Caution

Fitting Assembly Replacement

By replacing manifold fitting assemblies, it is possible to change the size of the A, B ports and P, E ports. To replace them, remove the clip with a flat head screwdriver, etc., and pull out the fitting assembly. Mount the new fitting assembly by inserting it and then replacing the clip to its fully inserted position.

Fitting Assembly Part No.

Port size		SV1000	SV2000	SV3000	SV4000
A, B Port	One-touch fitting for Ø 3.2	VVQ1000-50A-C3	—	—	—
	One-touch fitting for Ø 4	VVQ1000-50A-C4	VVQ1000-51A-C4	—	—
	One-touch fitting for Ø 6	VVQ1000-50A-C6	VVQ1000-51A-C6	VVQ2000-51A-C6	—
	One-touch fitting for Ø 8	—	VVQ1000-51A-C8	VVQ2000-51A-C8	VVQ4000-50B-C8
	One-touch fitting for Ø 10	—	—	VVQ2000-51A-C10	VVQ4000-50B-C10
	One-touch fitting for Ø 12	—	—	—	VVQ4000-50B-C12
	One-touch fitting for Ø 1/8"	VVQ1000-50A-N1	—	—	—
	One-touch fitting for Ø 5/32"	VVQ1000-50A-N3	VVQ1000-51A-N3	—	—
	One-touch fitting for Ø 1/4"	VVQ1000-50A-N7	VVQ1000-51A-N7	VVQ2000-51A-N7	—
	One-touch fitting for Ø 5/16"	—	VVQ1000-51A-N9	VVQ2000-51A-N9	VVQ4000-50B-N9
	One-touch fitting for Ø 3/8"	—	—	VVQ2000-51A-N11	VVQ4000-50B-N11
	1/4 threaded type port block assembly	—	—	—	SY9000-58A-02□
	3/8 threaded type port block assembly	—	—	—	SY9000-58A-03□
P, E Port	One-touch fitting for Ø 8	VVQ1000-51A-C8	—	—	—
	One-touch fitting for Ø 10	—	VVQ2000-51A-C10	—	—
	One-touch fitting for Ø 12	—	—	VVQ4000-50B-C12	VVQ4000-50B-C12
	One-touch fitting for Ø 5/16"	VVQ1000-51A-N9	—	—	—
	One-touch fitting for Ø 3/8"	—	VVQ2000-51A-N11	VVQ4000-50B-N11	VVQ4000-50B-N11
	3/8 threaded type port block assembly	—	—	—	SY9000-58B-03□

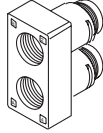
■ 1/4, 3/8 thread type port block assembly

For A, B port

SY9000-58A-02 

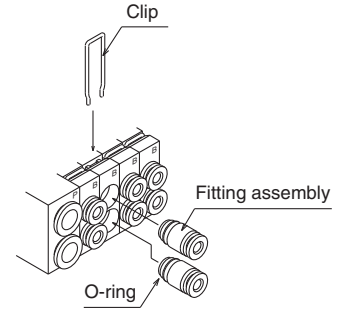
For P, E port

SY9000-58B-03 



● Thread type

—	Rc
F	G
N	NPT
T	NPTF



- Note 1) Be careful to avoid damage or contamination of O-rings, as this can cause air leakage.
 Note 2) When removing a fitting assembly from a valve, after removing the clip, attach tubing or a plug (KQP-□□) to the One-touch fitting, and pull it out while holding the tubing (or plug). If it is pulled out while holding the release button of the fitting assembly (resin part), the release button may be damaged. However, 02 and 03 port block assemblies should be pulled out as they are.
 Note 3) Be sure to shut off the power and air supplies before disassembly. Furthermore, since air may remain inside the actuator, piping and manifold, confirm that the air is completely exhausted before performing any work.

■ How to order tie-rod type 10 solenoid valves with manifold block

[Series SV1000 to SV4000]

● Type with manifold block is used when adding stations, etc.

SV **1100**  - **5F**  -  -  - 

1	SV1000
2	SV2000
3	SV3000
4	SV4000

● A, B port size

Refer to "How to Order" on pages 15, 25, 47, 53, 63, 73 and 84

● Manifold wiring specifications

—	Double wiring
S	Single wiring

● Made to Order

—	—
X90	Main valve fluororubber (Refer to page 125.)

● Type of actuation

1	2 position single
2	2 position double
3	3 position closed centre
4	3 position exhaust centre
5	3 position pressure centre
A	4 position dual 3 port valve: N.C./N.C.
B	4 position dual 3 port valve: N.O./N.O.
C	4 position dual 3 port valve: N.C./N.O.

* 4 position dual 3 port valves are applicable to Series SV1000 and SV2000 only.

● Pilot type

—	Internal pilot
R	External pilot

* External pilot specifications is not available for 4 position dual 3 port valves.

● Back pressure check valve

—	None
K	Built-in

* Built-in back pressure check valve type is applicable to series SV1000 only.

* Back pressure check valve is not available for 3 position valve.

● Manifold block type

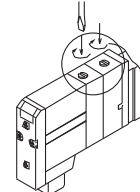
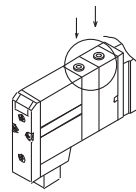
T	For Tie-rod base type 10 with manifold block
---	--

Note) Tie-rod type 10 includes tie-rods for station additions.

● Manual override

—: Non-locking push type

D: Push-turn locking slotted type



● Light/Surge voltage suppressor

U	With light/surge voltage suppressor
R	With surge voltage suppressor

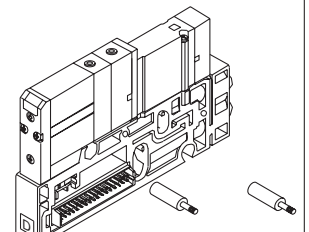
● Rated voltage

5	24 V DC
6	12 V DC

* Note that serial wiring manifolds (EX250, EX260, EX120, EX126, EX500, EX600) and PC wiring are only available with 24 V DC.

Note) Refer to Specific Product Precautions 2 on page 127.

Example (SV1000)
SV1200-5FU-T-C6



Series SV

Manifold Options (Common for Type 16 and 10)

Relay output module

By adding a relay output module to a series SV manifold, devices up to 110 V AC, 3 A (large type solenoid valves, etc.) can be controlled together with Series SV valves.

How to Order

SV 000-60-5 A-1A

Series ●

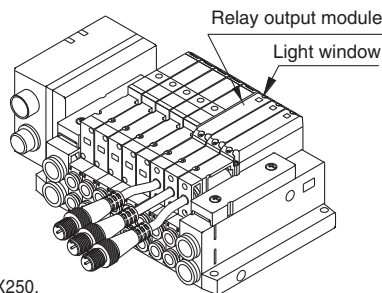
1	SV1000
2	SV2000
3	SV3000
4	SV4000

● No. of output point

A	1 output
B	2 outputs

● Rated voltage

5	24 V DC
6	12 V DC



* Note that serial wiring manifolds (EX250, EX260, EX120, EX126, EX500, EX600) and PC wiring are only available with 24 V DC.

Relay Output Module Specifications

Item	Specifications			
No. of output points	1 output [connector with lead wire (M12)]		2 outputs [connector with lead wire (M12)]	
Output type	<p>Contact type ("a" contact)</p>		<p>Contact type ("a" contact)</p>	
Load voltage	110 V AC	30 V DC	110 V AC	30 V DC
Load current	3 A	3 A	0.3 A	1 A
Indicator light	Orange		A side: Orange B side: Green	
Enclosure	Based on IP67 (IEC60529)			
Current consumption	20 mA or less			
Polarity	Non-polar			
weight (g)	48			

Connection Destination (Female Side) Connector Cable

Connector size	pin	Manufacturer	Applicable series
M12	4	Correns Corp.	VA-4D
		OMRON Corp.	XS2
		Azbil Corp.	PA5-41
		Hirose Electric Co., Ltd.	HR24
		DDK Ltd.	CM01-8DP4S

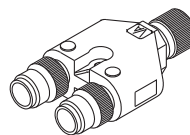
* This connector is a female connector for ① relay output module and ② single unit/sub-plate.

Y type connector

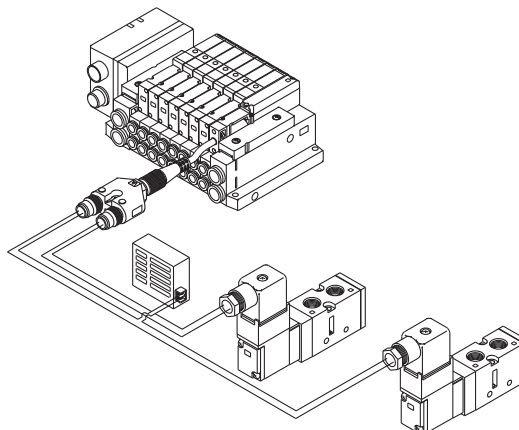
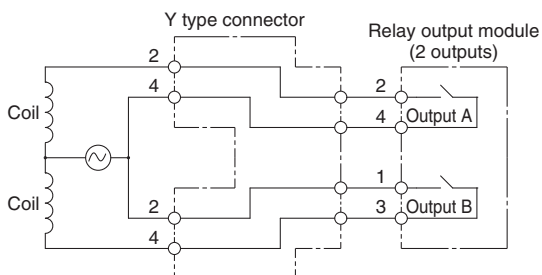
Used to branch a two output relay output module to two separate systems.

How to Order

EX500-ACY00-S



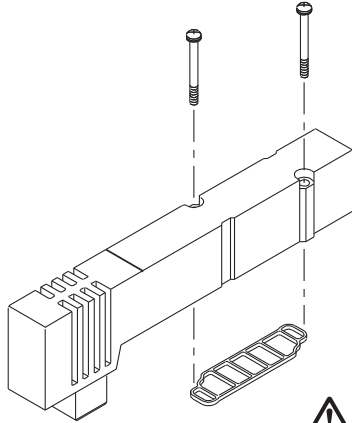
Relay output module and Y type connector wiring example



Manifold Options

■ Blanking plate assembly

Used in situations where valves will be added in the future or for maintenance.



Series	Blanking plate assembly part no.
SV1000	SV1000-67-1A
SV2000	SV2000-67-1A
SV3000	SV3000-67-1A
SV4000	SV4000-67-1A

⚠ Caution

Mounting screw tightening torques

M2: 0.16 N·m
M3: 0.8 N·m
M4: 1.4 N·m

■ SUP/EXH block disk

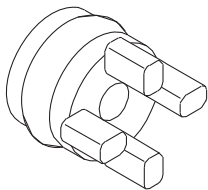
[SUP block disk]

By placing a SUP block disk in a manifold valve's pressure supply passage, two different high and low pressures can be supplied to one manifold.

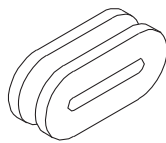
[EXH block disk]

By installing an EXH block disk in a manifold valve's exhaust passage, the valve's exhaust can be separated so that it will not affect other valves. It can also be used on a manifold with mixed positive pressure and vacuum.

(Two pieces are required to block EXH on both sides. However, Series SV1000 and 2000 type 10 manifolds require only one piece.)



Cassette base type 16



Tie-rod base type 10

Series	Manifold Model	SUP block disk	EXH block disk
SV1000	10	SV1000-59-1A	SV1000-59-2A
	16	SX3000-77-1A	SX3000-77-1A
SV2000	10	SV2000-59-1A	SV2000-59-2A
	16	SV2000-59-3A	SV2000-59-3A
SV3000	10	SV3000-59-1A	SV3000-59-1A
SV4000	10	SY9000-57-1A	SY9000-57-1A

■ Label for block disk

These labels are attached to manifolds in which SUP and EXH block disks have been installed, in order to identify the installed locations. (Three sheets each included.)

SV1000-74-1A

Label for SUP
block disk



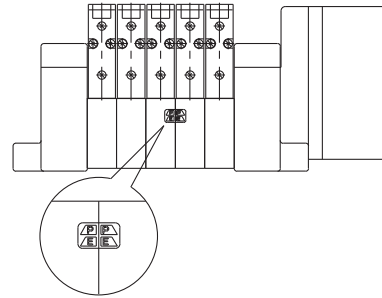
Label for EXH
block disk



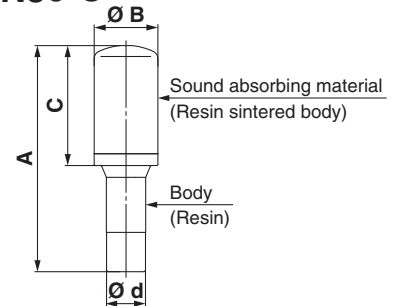
Label for SUP/EXH
block disk



* When a block disk is concurrently ordered by specifying on the manifold specification sheet, etc., a label will be stuck on the position where block disk is mounted.



■ Silencer (Compact resin type/One-touch fitting connection) AN10-C to AN30-C

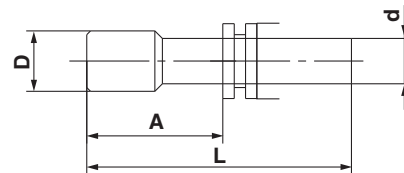


Dimensions

Series	Model	A	B	C	Ø d
SV1000 (For Ø 8)	AN15-C08	45	13	20	Ø 8
SV2000 (For Ø 10)	AN20-C10	57.5	16.5	30.5	Ø 10
SV3000, SV4000 (For Ø 12)	AN30-C12	71.5	20	43.5	Ø 12

■ Plug (White)

These are inserted in unused cylinder ports and P, E ports.



Applicable fitting size d	Model	A	L	D
Ø 4	KQ2P-04	16	32	Ø 6
Ø 6	KQ2P-06	18	35	Ø 8
Ø 8	KQ2P-08	20.5	39	Ø 10
Ø 10	KQ2P-10	22	43	Ø 12
Ø 12	KQ2P-12	24	44.5	Ø 14
Ø 1/8"	KQ2P-01	16	31.5	Ø 5
Ø 5/32"	KQ2P-03	16	32	Ø 6
Ø 1/4"	KQ2P-07	18	35	Ø 8.5
Ø 5/16"	KQ2P-09	20.5	39	Ø 10
Ø 3/8"	KQ2P-11	22	43	Ø 11.5

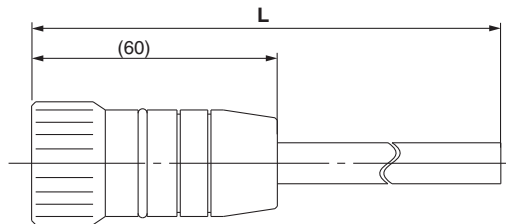
Manifold Options

■ Circular connector/Cable assembly (26 pins)

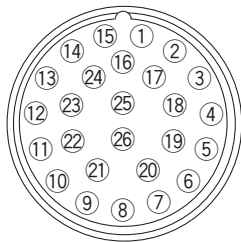
GAXT100 – MC26 – □

Lead Wire Length

Part no.	L dimension
GAXT100-MC26-015	1.5 m
GAXT100-MC26-030	3 m
GAXT100-MC26-050	5 m



Plug terminal no.
(arrangement as seen from lead wire side)



Circular connector cable assembly Terminal No.

Terminal no.	Lead wire colour	Dot marking
1	White	None
2	Brown	None
3	Green	None
4	Yellow	None
5	Grey	None
6	Pink	None
7	Blue	None
8	Red	None
9	Black	None
10	Violet	None
11	Grey	Pink
12	Red	Blue
13	White	Green
14	Brown	Green
15	White	Yellow
16	Yellow	Brown
17	White	Grey
18	Grey	Brown
19	White	Pink
20	Pink	Brown
21	White	Blue
22	Brown	Blue
23	White	Red
24	Brown	Red
25	White	Black

* Terminal No. 26 is connected to 25 inside the connector.

Connector Cable

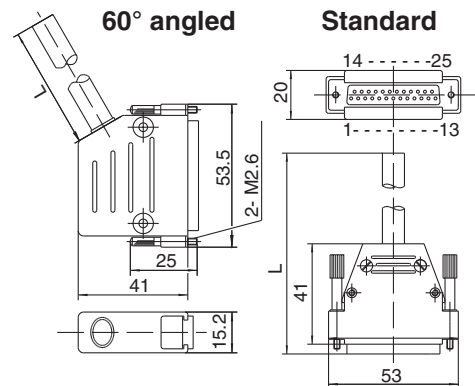
GVVZS3000-21A-□ [IP40]

D-sub connector/cable

Cable length (L)	Assembly part no.	Note
1 m	GVVZS3000-21A-160	60°angled
3 m	GVVZS3000-21A-260	60°angled
5 m	GVVZS3000-21A-360	60°angled
8 m	GVVZS3000-21A-460	60°angled
3 m	GVVZS3000-21A-2	Standard
5 m	GVVZS3000-21A-3	Standard
8 m	GVVZS3000-21A-4	Standard

Shielded cable

Cable length (L)	Assembly part no.	Note
1 m	GVVZS3000-21A-1S	Shielded
3 m	GVVZS3000-21A-2S	Shielded
5 m	GVVZS3000-21A-3S	Shielded
8 m	GVVZS3000-21A-4S	Shielded
20 m	GVVZS3000-21A-5S	Made to order



Electrical characteristics

Item	Property
Conductor resistance Ω/km, 20 °C	Max. 57
Voltage limit V, 5 minute, AC	1500
Insulation resistance MΩ/km, 20 °C	20

Standard

D-Sub connector cable assembly (option)

AXT100-DS25- ⁰¹⁵
⁰³⁰ **(According to MIL-C24308)**
⁰⁵⁰

* Please contact SMC for details.

Circular Connector, D-sub Connector Cable Assembly Electric Characteristics

Item	Characteristics
Conductor resistance Ω/km, 20 °C	65 or less
Withstand voltage V AC, 1 min.	1000
Insulation resistance, MΩkm, 20 °C	5 or less

Note) The minimum inside bending radius for each cable is 20 mm.

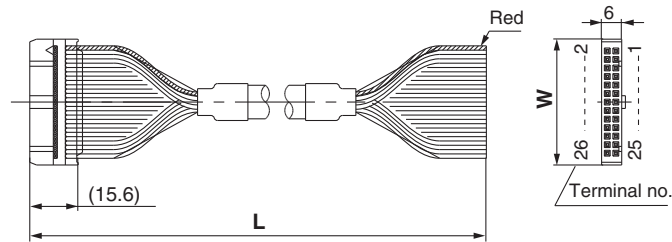
Manifold Options

■ Flat ribbon cable/Cable assembly

AXT100 – FC –

Cable length (L)	10 pins	20 pins	26 pins
1.5 m	AXT100-FC10-1	AXT100-FC20-1	AXT100-FC26-1
3 m	AXT100-FC10-2	AXT100-FC20-2	AXT100-FC26-2
5 m	AXT100-FC10-3	AXT100-FC20-3	AXT100-FC26-3
Connector width (W)	17.2	30	37.5

* For other commercial connectors, use a type with strain relief conforming to MIL-C-83503.



Connector manufacturers' example

- Hirose Electric Co., Ltd.
- Sumitomo 3M Limited
- Fujitsu Limited
- Japan Aviation Electronics Industry, Ltd.
- J.S.T. Mfg. Co., Ltd.

■ Connector cable for M12 waterproof connector (Female side)

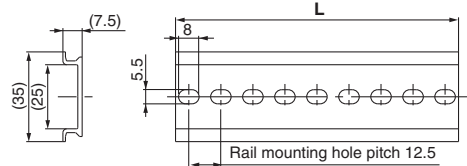
Connector manufacturers' example

- Correns Corp.
- OMRON Corp.
- Azbil Corp.
- Hirose Electric Co., Ltd.
- DDK Ltd.

■ SV1000/2000 and Series EX500 input unit DIN rail dimensions and mass

VZ1000 – 11 – 1 –

* As for , enter the number from the DIN rail dimensions table.

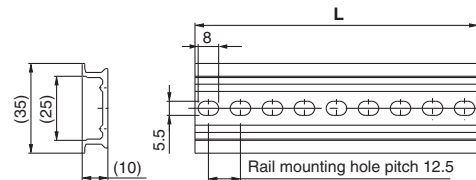


No.	0	1	2	3	4	5	6	7	8	9
L dimension	98	110.5	123	135.5	148	160.5	173	185.5	198	210.5
Mass (g)	17.6	19.9	22.1	24.4	26.6	28.9	31.1	33.4	35.6	37.9
No.	10	11	12	13	14	15	16	17	18	19
L dimension	223	235.5	248	260.5	273	285.5	298	310.5	323	335.5
Mass (g)	40.1	42.4	44.6	46.9	49.1	51.4	53.6	55.9	58.1	60.4
No.	20	21	22	23	24	25	26	27	28	29
L dimension	348	360.5	373	385.5	398	410.5	423	435.5	448	460.5
Mass (g)	62.5	64.9	67.1	69.4	71.6	73.9	76.1	78.4	80.6	82.9
No.	30	31	32	33	34	35	36	37	38	39
L dimension	473	485.5	498	510.5	523	535.5	548	560.5	573	585.5
Mass (g)	85.1	87.4	89.6	91.9	94.1	96.4	98.6	100.9	103.1	105.4
No.	40	41	42	43	44	45	46	47	48	49
L dimension	598	610.5	623	635.5	648	660.5	673	685.5	698	710.5
Mass (g)	107.6	109.9	112.1	114.4	116.6	118.9	121.1	123.4	125.6	127.9
No.	50	51	52	53	54	55	56	57	58	59
L dimension	723	735.5	748	760.5	773	785.5	798	810.5	823	835.5
Mass (g)	130.1	132.4	134.6	136.9	139.1	141.4	143.6	145.9	148.1	150.4
No.	60	61	62	63	64	65	66	67	68	69
L dimension	848	860.5	873	885.5	898	910.5	923	935.5	948	960.5
Mass (g)	152.6	154.9	157.1	159.4	161.6	163.9	166.1	168.4	170.6	172.9
No.	70	71								
L dimension	973	985.5								
Mass (g)	175.1	177.4								

■ SV3000 and 4000 DIN rail dimensions and mass

VZ1000 – 11 – 4 –

* As for , enter the number from the DIN rail dimensions table.



No.	0	1	2	3	4	5	6	7	8	9	10	11	12	13	14	15	16	17	18	19	20
L dimension	98	110.5	123	135.5	148	160.5	173	185.5	198	210.5	223	233.5	248	260.5	273	285.5	298	310.5	323	335.5	348
Mass (g)	24.8	28	31.1	34.3	37.4	40.6	43.8	46.9	50.1	53.3	56.4	59.6	62.7	65.9	69.1	72.2	75.4	78.6	81.7	84.9	88
No.	21	22	23	24	25	26	27	28	29	30	31	32	33	34	35	36	37	38	39	40	41
L dimension	360.5	373	385.5	398	410.5	423	435.5	448	460.5	473	485.5	498	510.5	523	535.5	548	560.5	573	585.5	598	610.5
Mass (g)	91.2	94.4	97.5	100.7	103.9	107	110.2	113.3	116.5	119.7	122.8	126	129.2	132.3	135.5	138.6	141.8	145	148.1	151.3	154.5
No.	42	43	44	45	46	47	48	49	50	51	52	53	54	55	56	57	58	59	60	61	62
L dimension	623	635.5	648	660.5	673	685.5	698	710.5	723	735.5	748	760.5	773	785.5	798	810.5	823	835.5	848	860.5	873
Mass (g)	157.6	160.8	163.9	167.1	170.3	173.4	176.6	179.8	182.9	186.1	189.2	192.4	195.6	198.7	201.9	205.1	208.2	211.4	214.5	217.7	220.9
No.	63	64	65	66	67	68	69	70	71												
L dimension	885.5	898	910.5	923	935.5	948	960.5	973	985.5												
Mass (g)	224	227.2	230.4	233.5	236.7	239.8	243	246.2	249.3												

Manifold Options

Interface Regulator

How to Order Interface Regulator

Series SV1000

SV1 0 00 - 05 - P

● **Applicable valve** Note 3)

0	For single, double, 4 position
3	For 3 position

● **Regulating port**

P	P port
A1	A port (P controlled type, A port regulation)
B1	B port (P controlled type, B port regulation)

● **Pressure gauge option** Note 1)

M1	Without pressure gauge	
05	With MPa indication pressure gauge [For odd number station]	
06	With MPa indication pressure gauge [For even number station]	
N5	With psi indication pressure gauge [For odd number station]	<small>Note 2)</small>
N6	With psi indication pressure gauge [For even number station]	<small>Note 2)</small>

Series SV2000/3000/4000

SV 2 000 - 00 - P

● **Series**

2	SV2000
3	SV3000
4	SV4000

● **Regulating port**

P	P port
A1	A port (P controlled type, A port regulation)
B1	B port (P controlled type, B port regulation)

● **Pressure gauge option**

M1	Without pressure gauge	
00	With MPa indication pressure gauge	
NO	With psi indication pressure gauge	<small>Note 2)</small>

Note 1) 1(P) port pressure regulation is only available for 3-position closed centre and pressure centre, and 4-position dual 3-port valves.

Note 1) In the case of Series SV1000 with a pressure gauge when mounting on the manifold, use caution that the part numbers are different between the odd no. stations and the even no. stations to avoid pressure gauges from interfering from each others.

Note 2) The units with the psi indication are sold only overseas according to the new measurement law in Japan.

Note 3) Use caution that the part numbers will differ depending on the one for single/double and 4- and 3-position due to the different length of solenoid valves. Also, if the one for 3 position is included in the same manifold, use all the ones for 3-position.

SV1000-05/N5-□
(For mounting odd number stations)

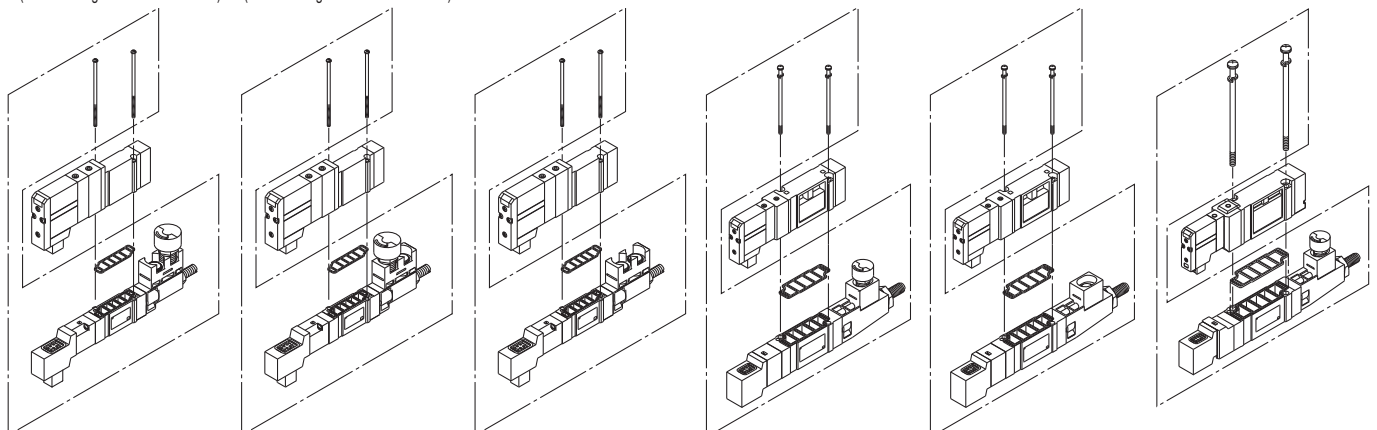
SV1000-06/N6-□
(For mounting even number stations)

SV1000-M1-□

SV2000-00/N0-□

SV2000-M1-□

SV3000-00/N0-□

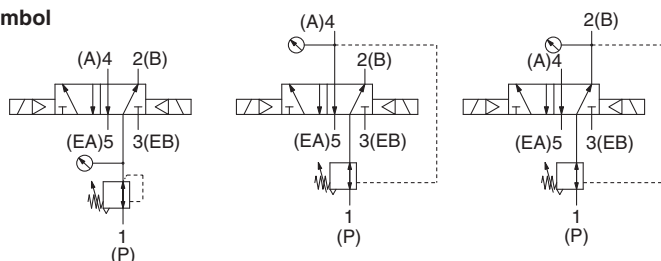


SV3000-M1-□

SV4000-00/N0-□

SV4000-M1-□

Symbol



Accessory

Series	Round head combination screw	Gasket
SV1000	SX3000-22-9 (M2 x 39.5)	SX3000-57-4
SV2000	SV2000-21-7 (M3 x 53)	SX5000-57-6
SV3000	SV3000-21-4 (M4 x 57)	SX7000-57-5
SV4000	SV2000-21-8 (M3 x 69.5)	SY9000-11-2

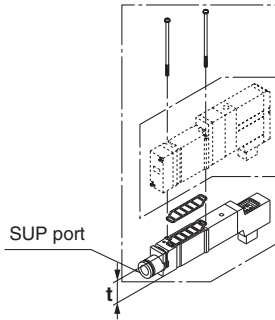
Caution

Mounting Screw Tightening Torques

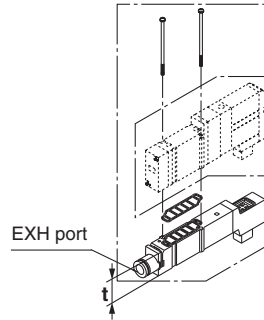
M2: 0.16 N·m
M3: 0.8 N·m
M4: 1.4 N·m

Manifold Option

Individual SUP spacer assembly



Individual EXH spacer assembly



How to order individual SUP/EXH spacer assembly

Series SV1000

SV1000 - 38 - 1A - C6

* t: 15

Port size

C3	One-touch fitting for Ø 3.2
C4	One-touch fitting for Ø 4
C6	One-touch fitting for Ø 6
N1	One-touch fitting for Ø 1/8"
N3	One-touch fitting for Ø 5/32"
N7	One-touch fitting for Ø 1/4"

Spacer type

38	Individual SUP spacer
39	Individual EXH spacer
88	Individual SUP + Individual EXH spacers (Double-stack)

* In the series SV3000, only type 10 is compatible with the double-stack spacers.
The series SV4000 is not compatible with the double-stack spacers.
Individual SUP and EXH spacers can be mounted either on the top or the bottom.

Series	Round head combination screw	Gasket
SV1000	SX3000-22-9 (M2 x 39.5)	SX3000-57-4
SV2000	SV2000-21-6 (M3 x 46)	SY5000-11-15
SV3000	SV3000-21-3 (M4 x 53)	SY7000-11-11
SV4000	SV2000-21-5 (M3 x 60)	SY9000-11-2

Series SV2000/SV3000/SV4000

SV 2 000 - 38 - 1 A

Series

Symbol	Series	t
2	SV2000	15
3	SV3000	18.5
4	SV4000	20

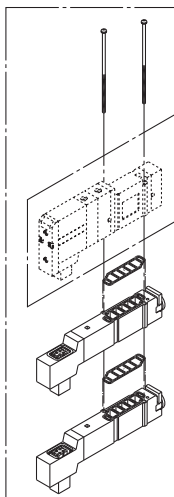
Thread type Note)

—	Rc
F	G
N	NPT
T	NPTF

Note) SV2000/3000/4000 port size

Series	Port size
SV2000	1/8
SV3000	1/4
SV4000	1/4

Individual SUP/EXH spacer assembly (Double-stack)



Single Valve/Sub-plate Type IP67 Compliant Series SV1000/2000/3000/4000



How to Order

SV 1 1 00 [] - 5 W1 U D - [] [] - []

Series

1	SV1000
2	SV2000
3	SV3000
4	SV4000

Made to order

—	—
X90	Main valve fluororubber (Refer to page 125.)

Type of actuation

SV1000/2000/3000/4000	
1	2 position single (A)4 2(B) (EA)5 1 3(EB) (P)
2	2 position double (A)4 2(B) (EA)5 1 3(EB) (P)
SV1000/2000/3000	
3	3 position closed centre (A)4 2(B) (EA)5 1 3(EB) (P)
4	3 position exhaust centre (A)4 2(B) (EA)5 1 3(EB) (P)
5	3 position pressure centre (A)4 2(B) (EA)5 1 3(EB) (P)
SV4000	
3	3 position closed centre (A)4 2(B) (EA)5 1 3(EB) (P)
4	3 position exhaust centre (A)4 2(B) (EA)5 1 3(EB) (P)
5	3 position pressure centre (A)4 2(B) (EA)5 1 3(EB) (P)
SV1000	
A	4 position dual 3 port valve: N.C./N.C. 4(A) 2(B) 5(EA) 1(P) 3(EB)
B	4 position dual 3 port valve: N.O./N.O. 4(A) 2(B) 5(EA) 1(P) 3(EB)
C	4 position dual 3 port valve: N.C./N.O. 4(A) 2(B) 5(EA) 1(P) 3(EB)
SV2000	
A	4 position dual 3 port valve: N.C./N.C. 4(A) 2(B) 5(EA) 1(P) 3(EB)
B	4 position dual 3 port valve: N.O./N.O. 4(A) 2(B) 5(EA) 1(P) 3(EB)
C	4 position dual 3 port valve: N.C./N.O. 4(A) 2(B) 5(EA) 1(P) 3(EB)

Pilot type

—	Internal pilot
R	External pilot

* External pilot specifications is not available for 4 position dual 3 port valves.

Thread type

—	Rc
F	G
N	NPT
T	NPTF

Port size

Symbol	Port size	Applicable series
—	Without sub-plate	
01	1/8	SV1000
02	1/4	SV2000 SV3000
03	3/8	SV3000 SV4000
04	1/2	SV4000

Manual override

—	Non-locking push type
D	Push-turn locking slotted type

Light/Surge voltage suppressor

U	With light/surge voltage suppressor
R	With surge voltage suppressor

M12 waterproof connector

Symbol	Cable length (mm)
W1	300
W2	500
W3	1000
W4	2000
W7	5000

Rated voltage

5	24 V DC
6	12 V DC

* SV3000 and 4000 are not available with 4 position dual 3 port valve.

Series SV Solenoid Valve Specifications



Fluid		Air
Internal pilot operating pressure range (MPa)	2 position single	0.15 to 0.7
	4 position dual 3 port valve	
	2 position double	0.1 to 0.7
External pilot operating pressure range (MPa)	3 position	0.2 to 0.7
	Operating pressure range	-100 kPa to 0.7
	2 position single, double	0.25 to 0.7
3 position		
Ambient and fluid temperature (°C)		-10 to 50 (No freezing)
Max. operating frequency (Hz)	2 position single, double	5
	4 position dual 3 port valve	
	3 position	3
Manual override		Non-locking push type
		Push-turn locking slotted type
Pilot exhaust method	Internal pilot	Common exhaust type for main and pilot valve
	External pilot	
Lubrication		Not required
Mounting orientation		Unrestricted
Impact/Vibration resistance (ms²)		150/30
Enclosure		IP67 (Based on IEC60529)
Electrical entry		M12 waterproof connector
Coil rated voltage		24 V DC, 12 V DC
Allowable voltage fluctuation		±10 % of rated voltage
Power consumption (W)		0.6 (With indicator light: 0.65)
Surge voltage suppressor		Zener diode
Indicator light		LED

Note) Impact resistance: No malfunction occurred when it is tested with a drop tester in the axial direction and at the right angles to the main valve and armature in both energised and de-energised states every once for each condition. (Values at the initial period)

Vibration resistance: No malfunction occurred in a one-sweep test between 45 and 2000 Hz.

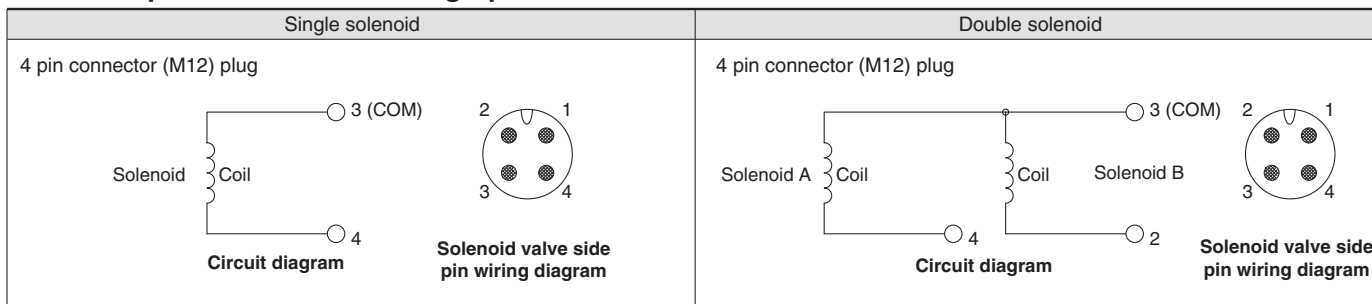
Test was performed at both energised and de-energised states in the axial direction and at the right angles to the main valve and armature. (Values at the initial period)

Response Time

Type of actuation	Response time (ms) (at the pressure of 0.5 MPa)			
	SV1000	SV2000	SV3000	SV4000
2 position single	11 or less	25 or less	28 or less	40 or less
2 position double	10 or less	17 or less	26 or less	40 or less
3 position	18 or less	29 or less	32 or less	82 or less
4 position dual 3 port valve	15 or less	33 or less	—	—

Note) Based on dynamic performance test, JIS B 8375-1981. (Coil temperature: 20 °C, at rated voltage)

M12 Waterproof Connector Wiring Specifications



Note) Solenoid valves have no polarity.

Connection Destination (Female Side) Connector Cable

Connector size	pin	Manufacturer	Applicable series
M12	4	Correns Corp.	VA-4D
		OMRON Corp.	XS2
		Azbil Corp.	PA5-41
		Hirose Electric Co., Ltd.	HR24
		DDK Ltd.	CM01-8DP4S

* This connector is a female connector for ① relay output module and ② single unit/sub-plate.

Flow Characteristics/Weight

Series SV1000

Valve model	Type of actuation		Port size	Flow characteristics ⁽¹⁾								Weight (g) ⁽²⁾ M12 waterproof connector (Cable length 300 mm)
				1 → 4/2 (P → A/B)				4/2 → 5/3 (A/B → EA/EB)				
				C [dm ³ /(s·bar)]	b	Cv	Q [l/min (ANR)] ⁽³⁾	C [dm ³ /(s·bar)]	b	Cv	Q [l/min (ANR)] ⁽³⁾	
SV1□00-□-01	2 position	Single	Rc 1/8	1.0	0.30	0.24	254	1.1	0.30	0.26	280	123 (88)
		Double										128 (93)
	3 position	Closed centre		0.77	0.28	0.18	193	0.85	0.30	0.19	216	130 (95)
		Exhaust centre		0.73	0.31	0.18	187	1.1 [0.55]	0.26 [0.52]	0.24 [0.16]	273 [164]	
		Pressure centre		1.2 [0.51]	0.24 [0.45]	0.29 [0.14]	294 [144]	0.89	0.47	0.24	255	
	4 position dual	N.C./N.C.		0.68	0.35	0.18	179	1.1	0.39	0.29	197	128 (93)
		N.O./N.O.		0.87	0.31	0.23	223	0.77	0.44	0.21	216	

Note 1) []: Denotes the normal position. Note 2) (): Denotes without sub-plate.

Note 3) These values have been calculated according to ISO 6358 and indicate the flow rate under standard conditions with an inlet pressure of 0.6 MPa (relative pressure) and a pressure drop of 0.1 MPa.

Series SV2000

Valve model	Type of actuation		Port size	Flow characteristics ⁽¹⁾								Weight (g) ⁽²⁾ M12 waterproof connector (Cable length 300 mm)
				1 → 4/2 (P → A/B)				4/2 → 5/3 (A/B → EA/EB)				
				C [dm ³ /(s·bar)]	b	Cv	Q [l/min (ANR)] ⁽³⁾	C [dm ³ /(s·bar)]	b	Cv	Q [l/min (ANR)] ⁽³⁾	
SV2□00-□-02	2 position	Single	Rc 1/4	2.4	0.41	0.64	658	2.8	0.29	0.66	707	159 (96)
		Double										163 (100)
	3 position	Closed centre		1.8	0.47	0.50	516	1.8	0.40	0.47	490	168 (105)
		Exhaust centre		1.4	0.55	0.44	430	3.0 [1.2]	0.33 [0.48]	0.72 [0.37]	778 [347]	
		Pressure centre		3.3 [0.84]	0.36 [0.60]	0.85 [0.28]	973 [270]	1.8	0.40	0.48	490	
	4 position dual	N.C./N.C.		2.2	0.40	0.55	598	2.6	0.31	0.60	665	163 (100)
		N.O./N.O.		2.7	0.24	0.57	662	2.3	0.36	0.54	608	

Note 1) []: Denotes the normal position. Note 2) (): Denotes without sub-plate.

Note 3) These values have been calculated according to ISO 6358 and indicate the flow rate under standard conditions with an inlet pressure of 0.6 MPa (relative pressure) and a pressure drop of 0.1 MPa.

Series SV3000

Valve model	Type of actuation		Port size	Flow characteristics ⁽¹⁾								Weight (g) ⁽²⁾ M12 waterproof connector (Cable length 300 mm)
				1 → 4/2 (P → A/B)				4/2 → 5/3 (A/B → EA/EB)				
				C [dm ³ /(s·bar)]	b	Cv	Q [l/min (ANR)] ⁽³⁾	C [dm ³ /(s·bar)]	b	Cv	Q [l/min (ANR)] ⁽³⁾	
SV3□00-□-02	2 position	Single	Rc 1/4	4.1	0.41	1.1	1123	4.1	0.29	1.0	1036	250 (121)
		Double										253 (124)
	3 position	Closed centre		3.0	0.43	0.80	834	2.6	0.41	0.72	712	26 (132)
		Exhaust centre		2.6	0.42	0.71	718	4.7 [1.7]	0.35 [0.48]	1.1 [0.49]	1235 [492]	
		Pressure centre		5.3 [2.3]	0.39 [0.49]	1.3 [0.65]	1431 [670]	2.2	0.49	0.63	641	
SV3□00-□-03	2 position	Single	Rc 3/8	4.9	0.29	1.2	1238	4.5	0.27	1.1	1123	235
		Double										238
	3 position	Closed centre		3.0	0.40	0.80	816	2.6	0.45	0.73	734	246
		Exhaust centre		2.6	0.42	0.71	718	4.8 [1.7]	0.35 [0.48]	1.1 [0.34]	1261 [492]	
		Pressure centre		5.3 [2.3]	0.31 [0.51]	1.3 [0.64]	1356 [682]	2.3	0.45	0.66	649	

Note 1) []: Denotes the normal position. Note 2) (): Denotes without sub-plate.

Note 3) These values have been calculated according to ISO 6358 and indicate the flow rate under standard conditions with an inlet pressure of 0.6 MPa (relative pressure) and a pressure drop of 0.1 MPa.

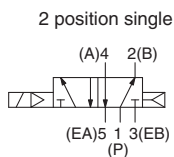
Series SV4000

Valve model	Type of actuation		Port size	Flow characteristics ⁽¹⁾								Weight (g) ⁽²⁾ M12 waterproof connector (Cable length 300 mm)
				1 → 4/2 (P → A/B)				4/2 → 5/3 (A/B → EA/EB)				
				C [dm ³ /(s·bar)]	b	Cv	Q [l/min (ANR)] ⁽³⁾	C [dm ³ /(s·bar)]	b	Cv	Q [l/min (ANR)] ⁽³⁾	
SV4□00-□-03	2 position	Single	Rc 3/8	7.9	0.34	2.0	2062	9.6	0.43	2.5	2670	505 (208)
		Double										509 (212)
	3 position	Closed centre		7.5	0.33	1.8	1944	7.3	0.30	1.7	1856	530 (233)
		Exhaust centre		7.2	0.34	1.7	1879	13 [4.0]	0.23 [0.41]	2.8 [0.95]	3168 [1096]	
		Pressure centre		12 [3.3]	0.26 [0.41]	2.8 [0.84]	2977 [904]	6.7	0.40	1.9	1823	
SV4□00-□-04	2 position	Single	Rc 1/2	8.0	0.48	2.2	2313	10	0.29	2.5	2527	484
		Double										488
	3 position	Closed centre		7.6	0.32	1.8	1957	7.3	0.32	1.8	1880	509
		Exhaust centre		7.3	0.42	2.0	2015	13 [4.7]	0.32 [0.54]	3.6 [1.5]	3348 [1430]	
		Pressure centre		12 [3.3]	0.33 [0.51]	3.3 [0.94]	3111 [978]	7.4	0.33	1.9	1918	

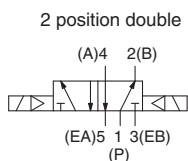
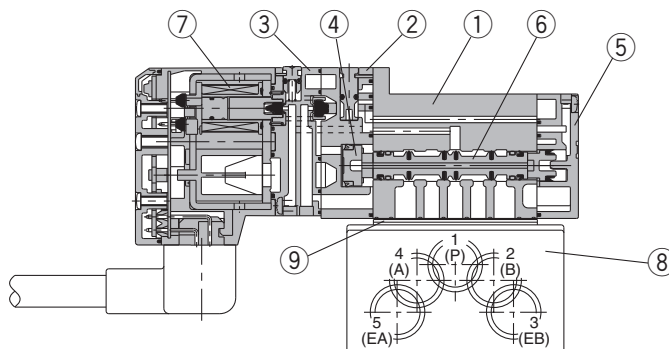
Note 1) []: Denotes the normal position. Note 2) (): Denotes without sub-plate.

Note 3) These values have been calculated according to ISO 6358 and indicate the flow rate under standard conditions with an inlet pressure of 0.6 MPa (relative pressure) and a pressure drop of 0.1 MPa.

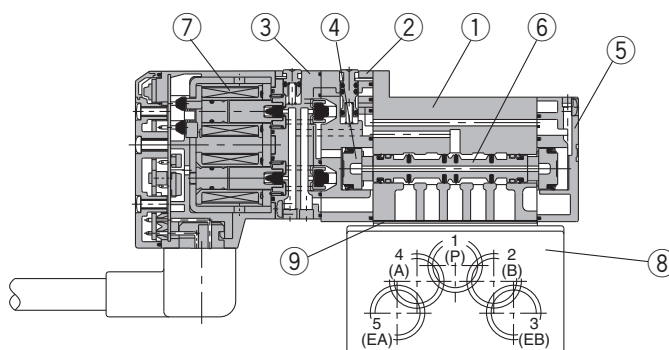
Construction: SV1000/2000/3000/4000 Single Valve/Sub-plate Type



2 position single

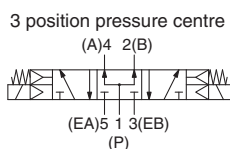
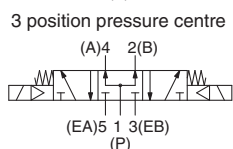
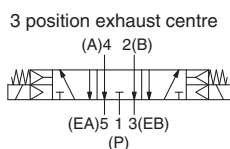
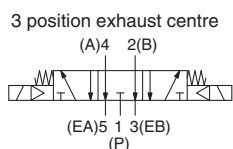
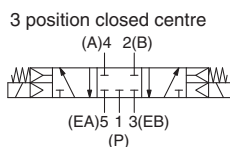
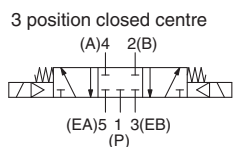


2 position double

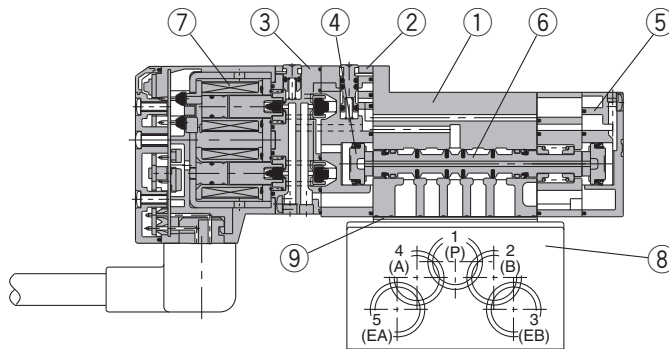


SV1000/2000/3000

SV4000



3 position closed centre/exhaust centre/pressure centre



Component Parts

No.	Description	Material	Note
①	Body	Aluminium die-casted (SV1000 is zinc die-casted)	White
②	Adapter plate	Resin	White
③	Pilot body	Resin	White
④	Piston	Resin	—
⑤	End plate	Resin	White
⑥	Spool valve assembly	Aluminium/HNBR	—
⑦	Molded coil	—	Grey

Replacement Parts

No.	Description	Part no.				Note
		SV1□00	SV2□00	SV3□00	SV4□00	
⑧	Sub-plate	SY3000-27-1□	SY5000-27-1□	1/4: SY7000-27-1□ 3/8: SY7000-27-2□	3/8: SY9000-27-1□ 1/2: SY9000-27-2□	Aluminium die-casted Refer to thread types on page 117 for □.
⑨	Gasket	SY3000-11-25	SY5000-11-18	SY7000-11-14	SY9000-11-2	
—	Round head combination screw	SX3000-22-2 (M2 x 24)	SV2000-21-1 (M3 x 30)	SV3000-21-1 (M4 x 35)	SV2000-21-2 (M3 x 40)	For valve mounting (Matt nickel plated)

Note) Round head combination screw requires 2 pcs. per one valve for Series SV1000, SV2000, SV3000. For Series SV4000, it requires 3 pcs.

⚠ Caution

Mounting screw tightening torques

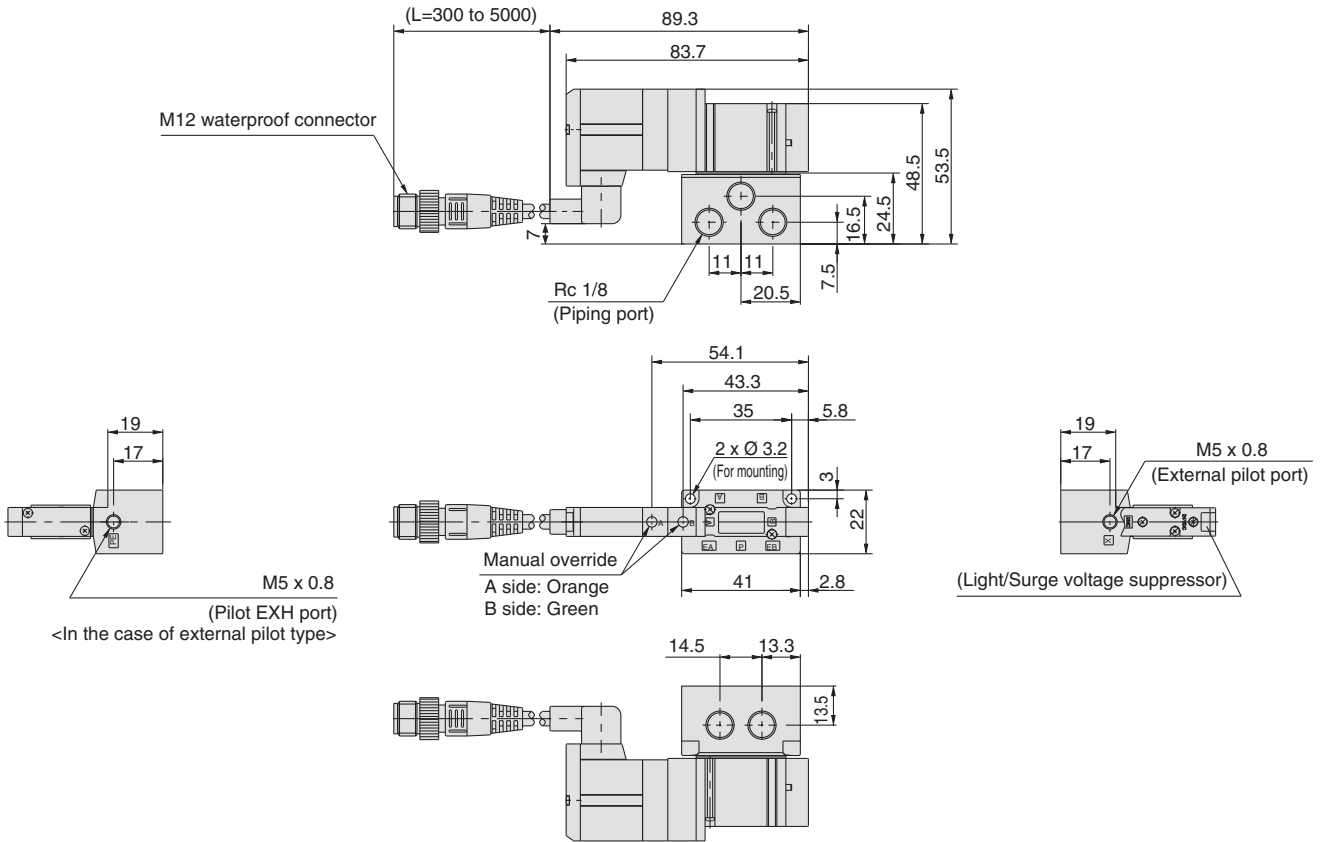
M2: 0.16 N·m
M3: 0.8 N·m
M4: 1.4 N·m

Series SV

Dimensions: Series SV1000

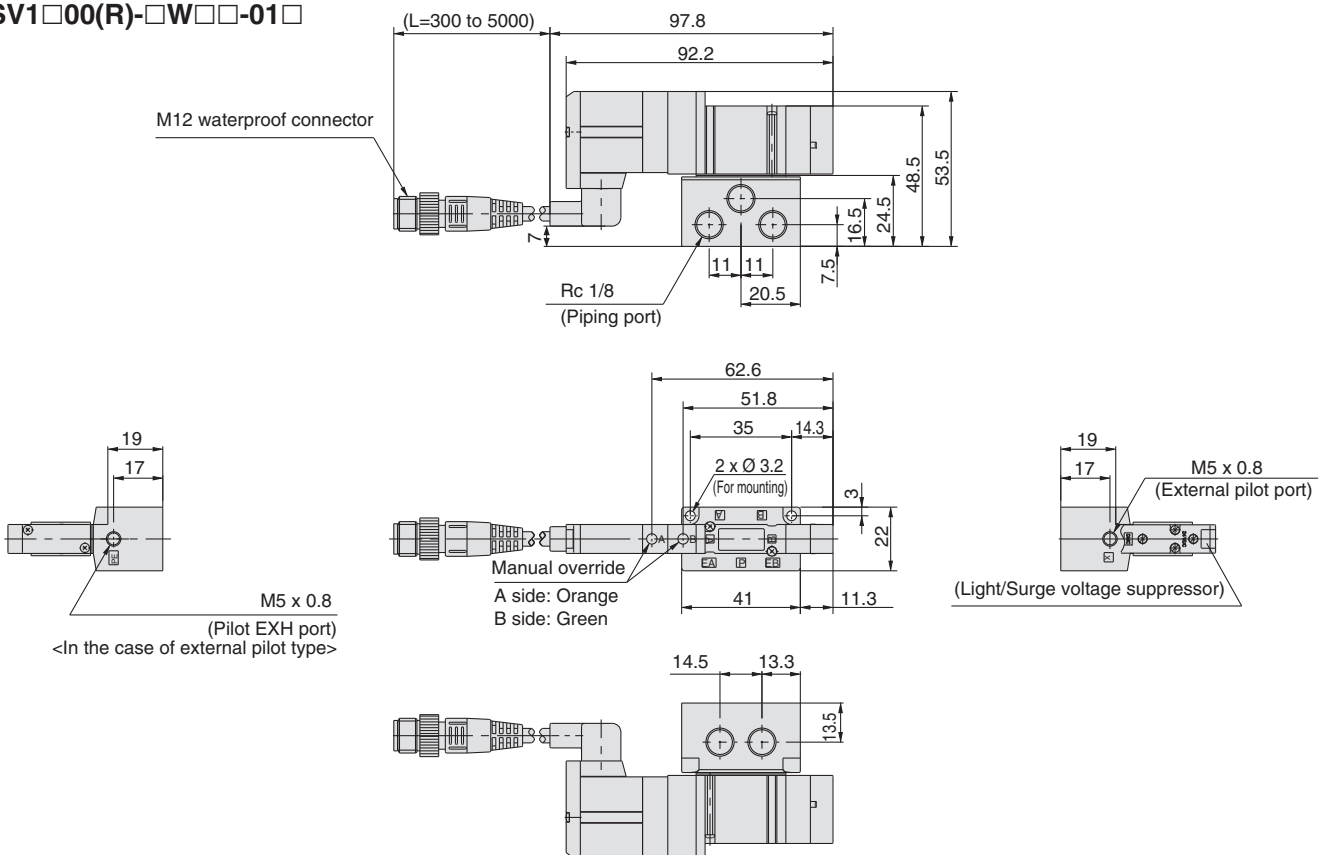
2 position single/double, 4 position dual 3 port [M12 waterproof connector type]

SV1□00(R)-□W□□-01□



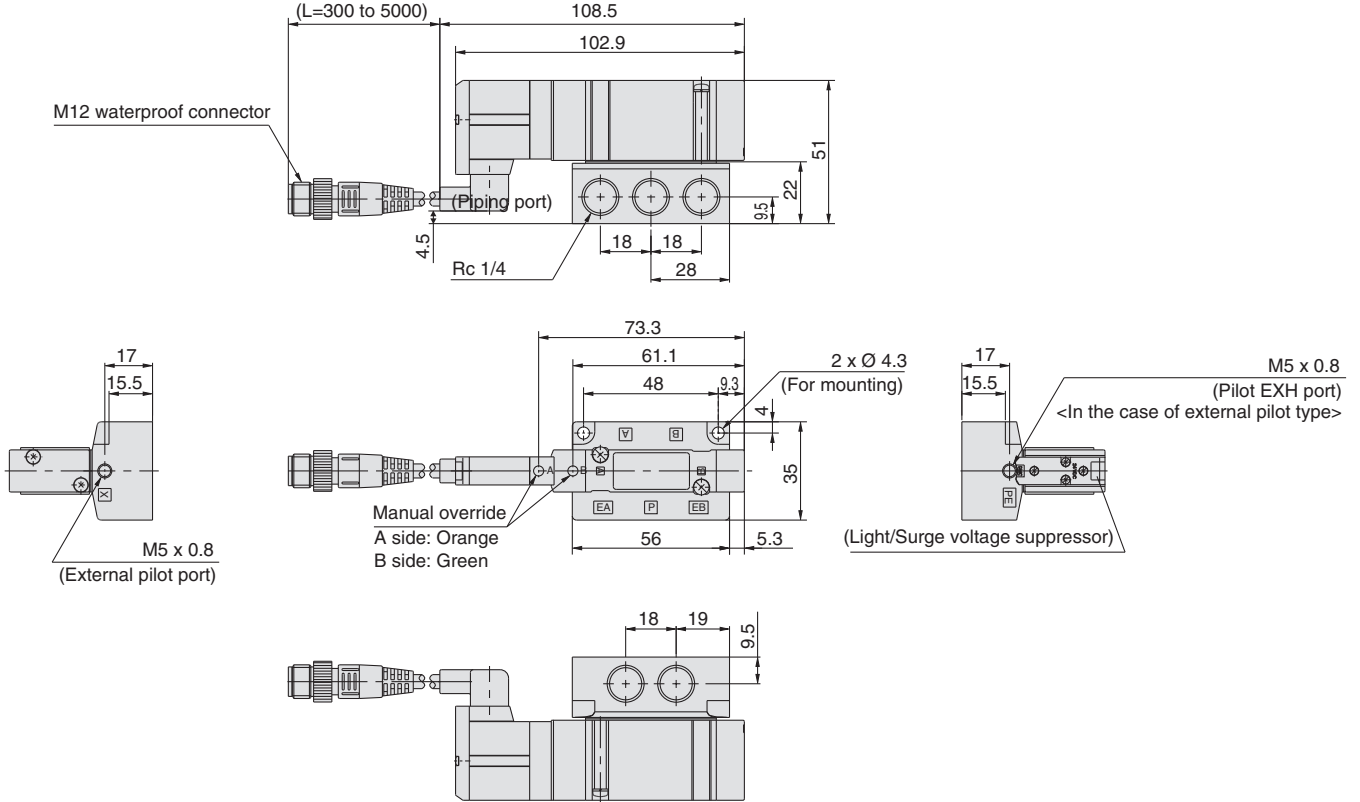
3 position closed centre/exhaust centre/pressure centre [M12 waterproof connector type]

SV1□00(R)-□W□□-01□

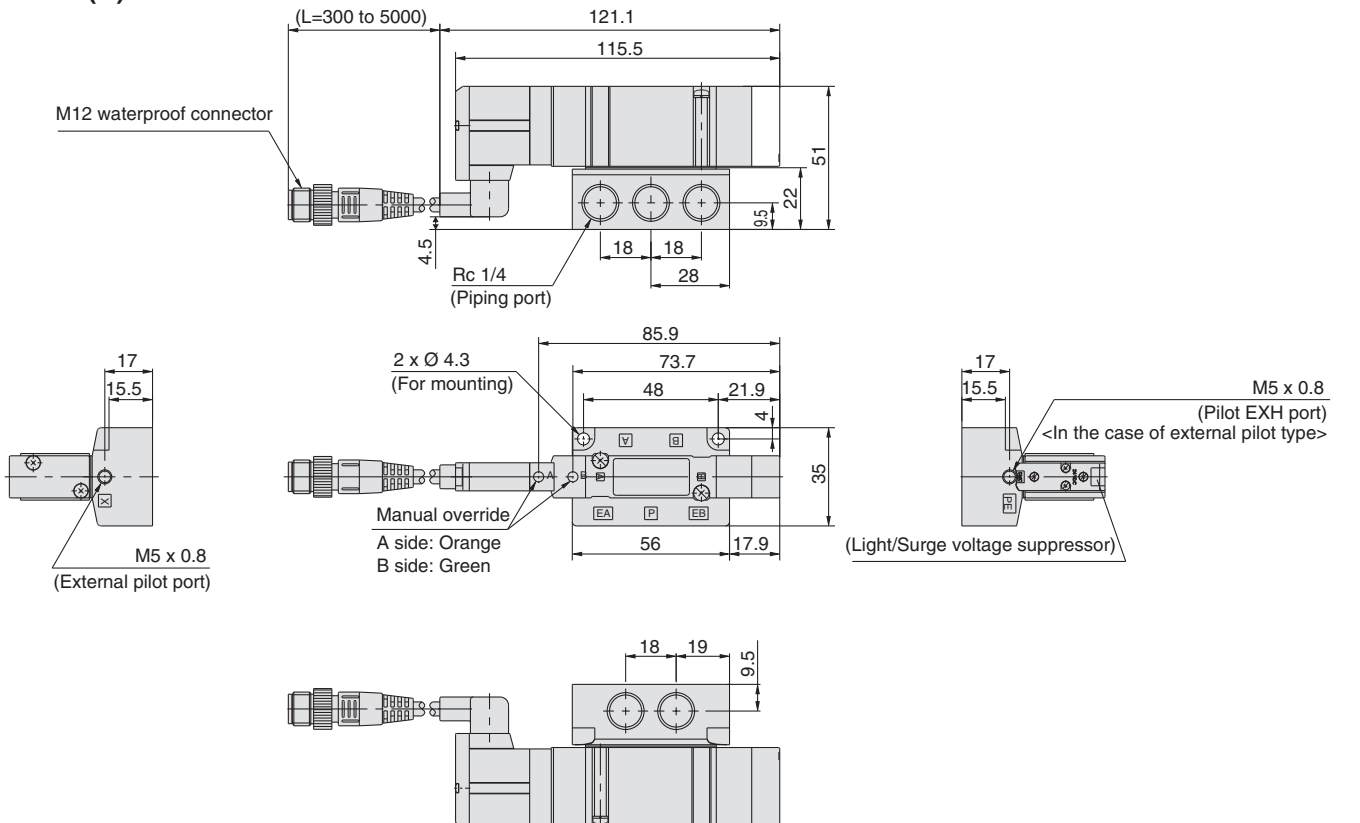


Dimensions: Series SV2000

**2 position single/double, 4 position dual 3 port [M12 waterproof connector type]
SV2□00(R)-□W□□-02□**



**3 position closed centre/exhaust centre/pressure centre [M12 waterproof connector type]
SV2□00(R)-□W□□-02□**

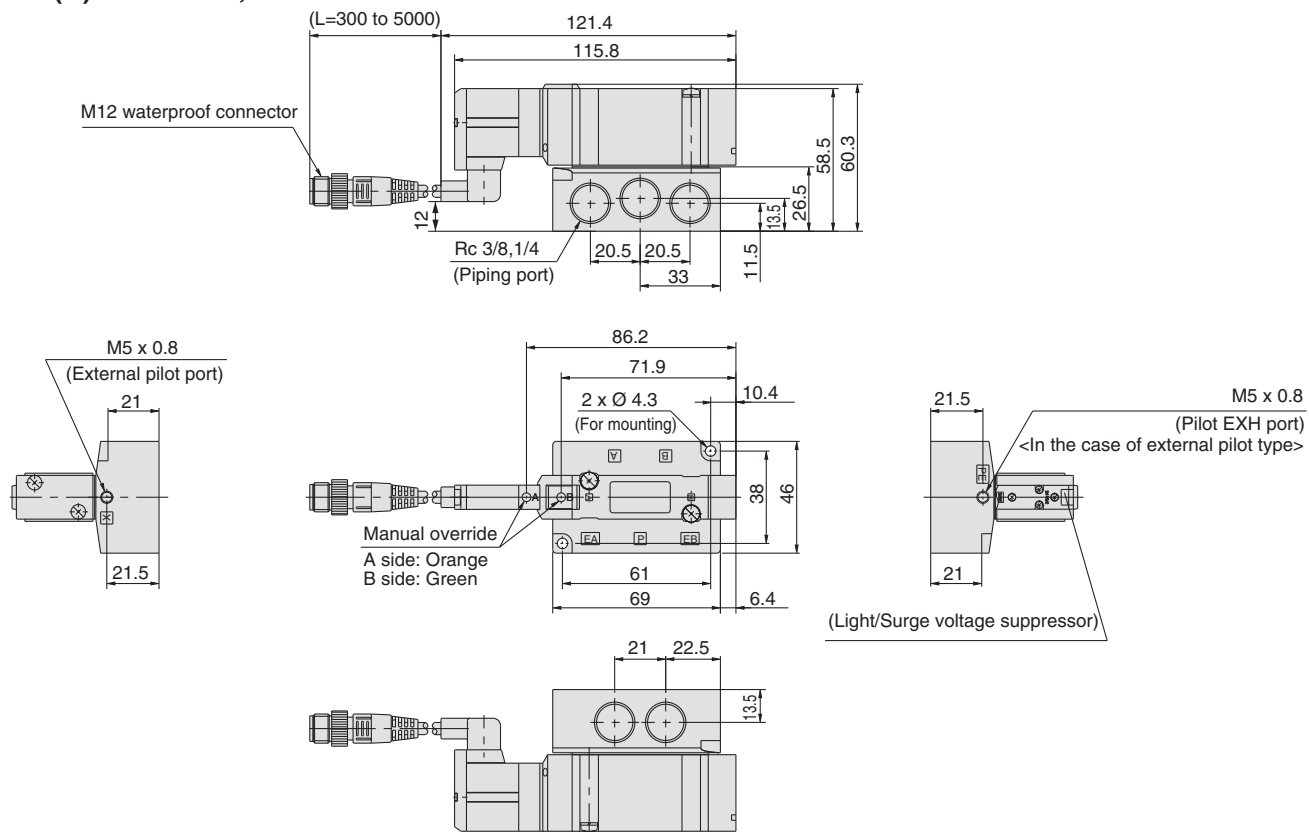


Series SV

Dimensions: Series SV3000

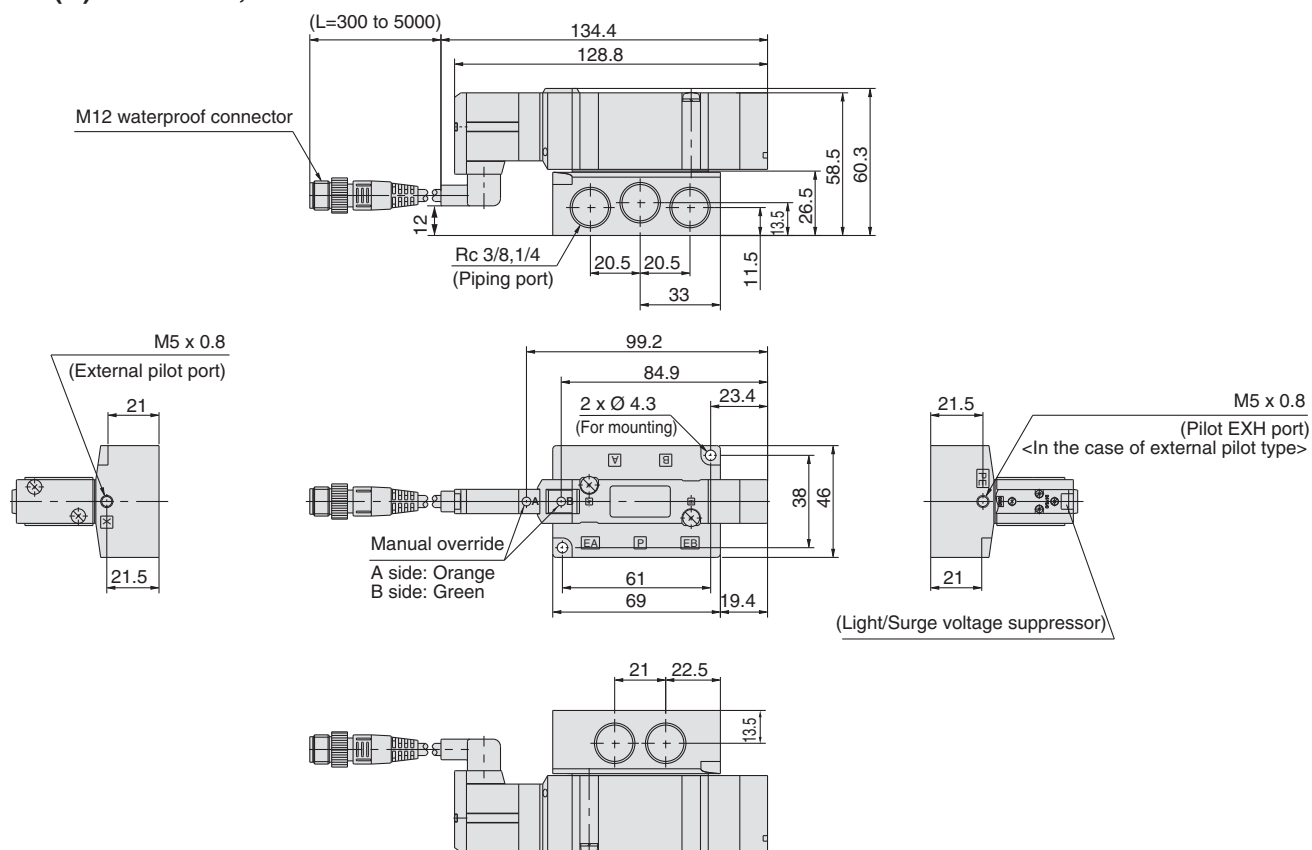
2 position single/double [M12 waterproof connector type]

SV3□00(R)-□W□□-02, 03□



3 position closed centre/exhaust centre/pressure centre [M12 waterproof connector type]

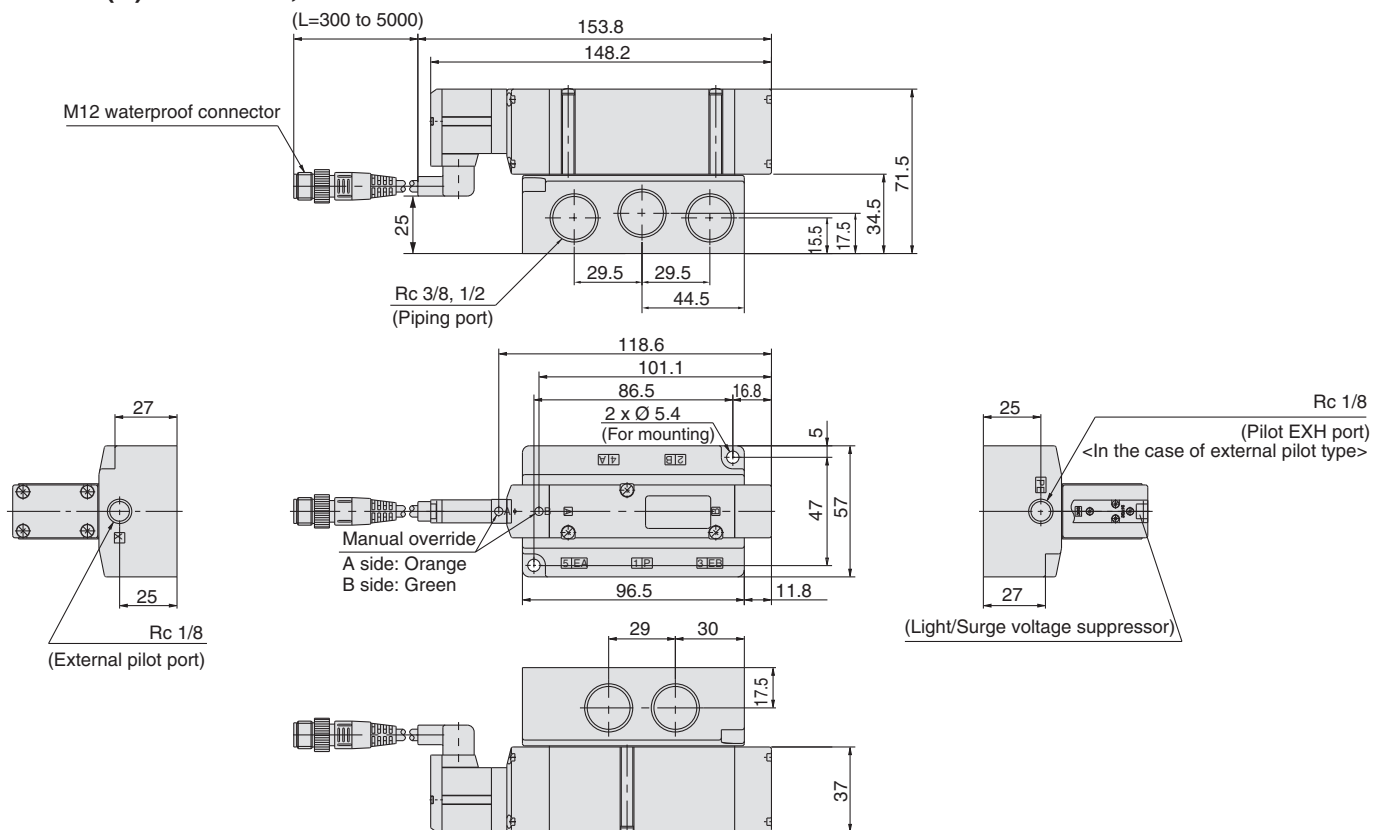
SV3□00(R)-□W□□-02, 03□



Dimensions: Series SV4000

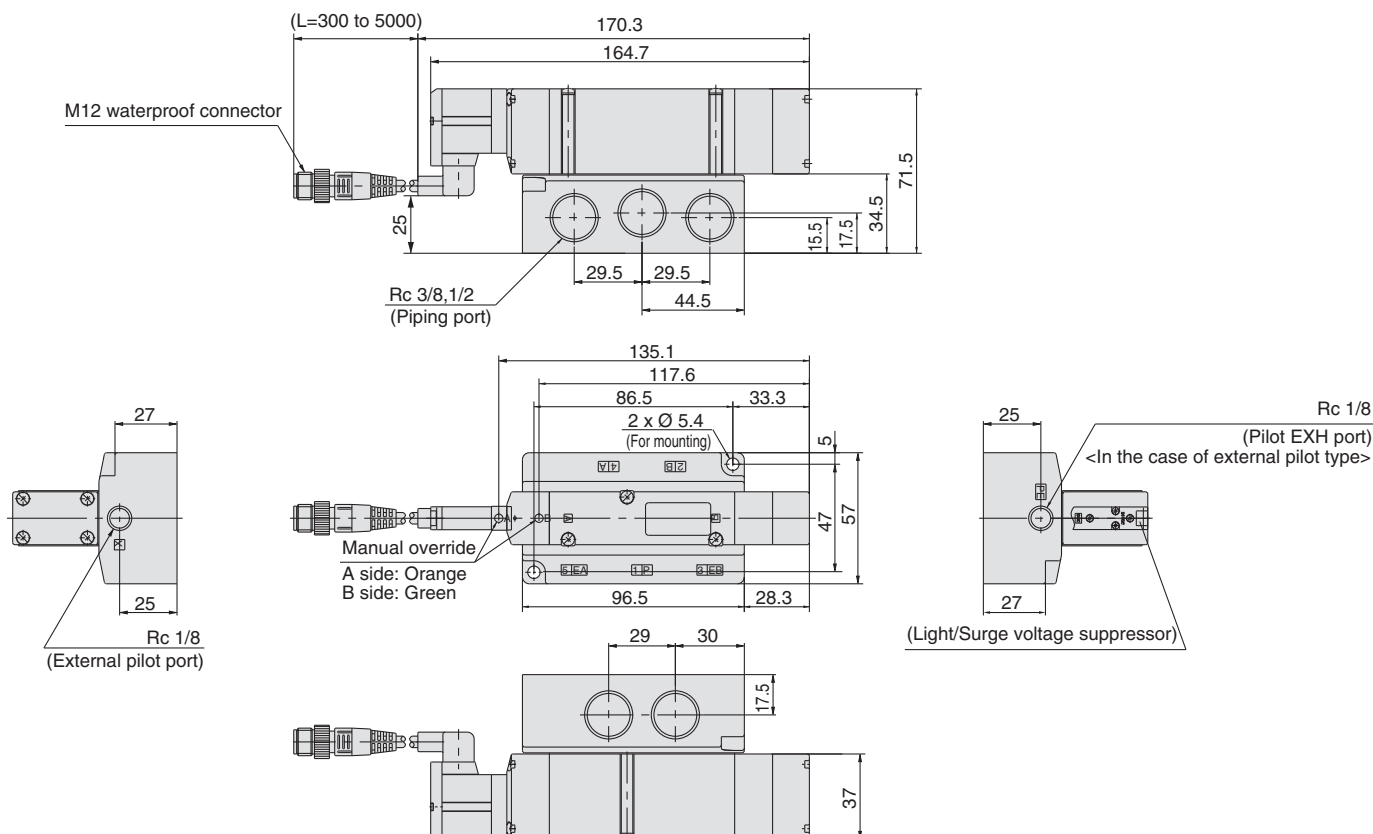
2 position single/double [M12 waterproof connector type]

SV4□00(R)-□W□□-03, 04□



3 position closed centre/exhaust centre/pressure centre [M12 waterproof connector type]

SV4□00(R)-□W□□-03, 04□





Please contact SMC for detailed dimensions, specifications and lead times.

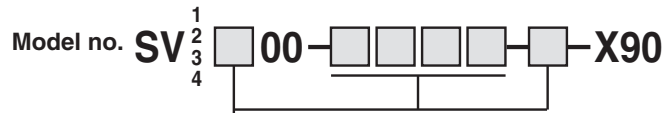
1 Main Valve Fluororubber Specifications

Symbol

-X90

Fluororubber is used for rubber parts of the main valve to allow use in applications such as the following.

1. When using a lubricant other than the recommended turbine oil, and there is a possibility of malfunction due to swelling of the spool valve seals.
2. When ozone enters or is generated in the air supply.



● Entry is the same as standard products.

Note) Because in series -X90 fluororubber is used for only main valve, the rubber parts of the application/usage in conditions requiring heat resistance should be avoided.



Series SV Specific Product Precautions 1

Be sure to read before handling.

Environment

Warning

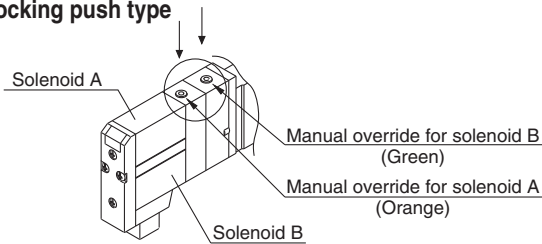
- Do not use valves in atmospheres of corrosive gases, chemicals, salt water, water, steam, or where there is direct contact with any of these.
- Products compliant with IP65 and IP67 enclosures (Based on IEC60529) are protected against dust and water, however, these products cannot be used in water.
- Products compliant with IP65 and IP67 enclosures satisfy the specifications by mounting each product properly. Be sure to read the Specific Product Precautions for each product.
- When using built-in silencer type manifold with an IP67 enclosure, keep the exhaust port of the silencer from coming in direct contact with water or other liquids. Liquid filtration through the exhaust port of the silencer can cause damage to the valve.

Manual Override Operation

Warning

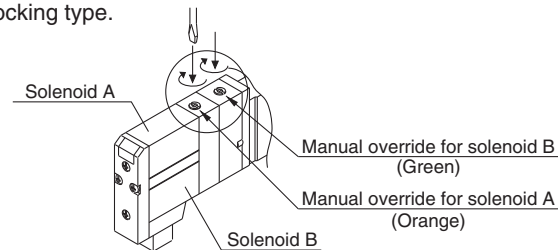
Handle carefully, as connected equipment can be actuated through manual override operation.

Non-locking push type



Push-turn locking slotted type

After pushing down, turn in the direction of the arrow. If it is not turned, it can be operated the same way as the non-locking type.



Caution

When locking the manual override with the push-turn locking slotted type, be sure to push it down before turning. Turning without first pushing it down can cause damage to the manual override and other trouble such as air leakage, etc.

Exhaust Restriction

Caution

Since Series SV is a type in which the pilot valve exhaust joins the main valve exhaust inside the valve, use caution, so that the piping from the exhaust port is not restricted.

Series SV Used as a 3 Port Valve

Caution

In the case of using a 5 port valve (as a 3 port valve)
Series SV can be used as normally closed (N.C.) or normally open (N.O.) 3 port valves by closing one of the cylinder ports (A or B) with a plug. However, they should be used with the exhaust ports kept open. They are convenient at times when a double solenoid type 3 port valve is required.

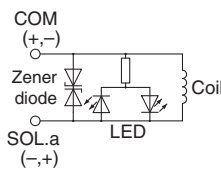
Plug position		B port	A port
Actuation		N.C.	N.O.
Number of solenoids	Single		
	Double		

Light/Surge Voltage Suppressor

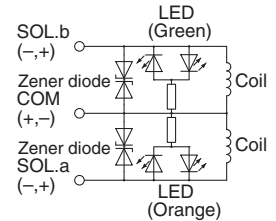
Caution

Solenoid valves have no polarity.
Light/Surge voltage suppressor

Single solenoid

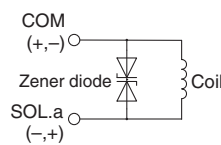


Double solenoid, 3 position type

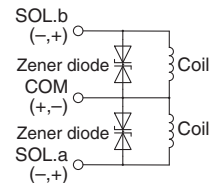


Surge voltage suppressor

Single solenoid



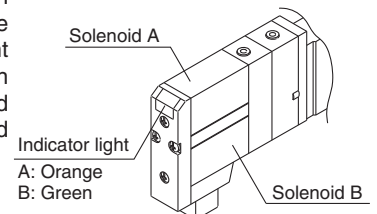
Double solenoid, 3 position type



Light Indication

Caution

When equipped with indicator light and surge voltage suppressor, the light window turns orange when solenoid A is energised, and it turns green when solenoid B is energised.





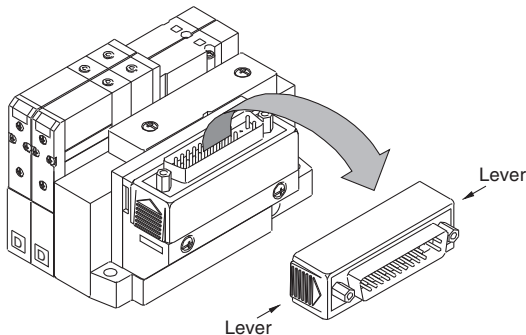
SV Series Specific Product Precautions 2

Be sure to read this before handling the products.

Connector Entry Directions

⚠ Caution

Connector entry directions for D-sub connectors and flat ribbon cables can be changed. To change the connector's entry direction, press the levers on both sides of the connector, take it off, and change the direction as shown in the drawing. Since lead wire assemblies are attached to the connector, excessive pulling or twisting can cause broken wires or other trouble. Also, take precautions so that lead wires are not caught and pinched when installing the connector.



Manifold Mounting

⚠ Caution

There will be slight variations in the width of manifold blocks due to tolerance for the stacking manifold type. As the manifold is made up of a combination of manifold blocks, there will be an error due to accumulated tolerance between the actual pitch dimensions of the mounting holes used to secure the manifold and the values stated in the catalogue. Keep this in mind when increasing the number of stations.

Manifold Block Width Tolerance Chart

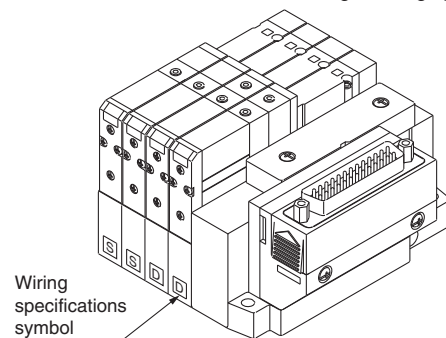
Series	Block width tolerance
SS5V1-(W)10□ series	±0.15 mm
SS5V2-(W)10□ series	±0.2 mm
SS5V3-(W)10□ series	±0.15 mm
SS5V4-(W)10□ series	±0.15 mm

How to Order Manifold

⚠ Caution

The letter "S" or "D" is indicated on manifold blocks for the SV series as shown below. This indication refers to the type of substrate assembly (single wiring or double wiring) inside the manifold blocks.

When the manifold specification sheet does not include a wiring specification, all stations will be double wiring specification (D). In this case, single and double solenoid valves can be mounted in any position, but when a single valve is used, there will be an unused control signal. To avoid this, indicate positions of manifold blocks for single wiring specification (S) and double wiring specification (D) on a manifold specification sheet. (Note that double, 3 or 4 position valves cannot be used for manifolds blocks with single wiring specification (S).)



Substrate Assemblies inside Manifolds

⚠ Caution

Substrate assemblies inside of manifolds cannot be taken apart. Attempting to do so may damage parts.

One-touch Fittings

⚠ Caution

1. Tube attachment/detachment for One-touch fittings

1) Attaching of tube

- (1) Take a tube having no flaws on its periphery and cut it off at a right angle. When cutting the tube, use tube cutters TK-1, 2 or 3. Do not use pinchers, nippers or scissors, etc. If cutting is done with tools other than tube cutters, there is the danger that the tube may be cut diagonally or become flattened, etc., making a secure installation impossible, and causing problems such as the tube pulling out after installation or air leakage. Also allow some extra length in the tube.
- (2) Grasp the tube and push it in slowly, inserting it securely all the way into the fitting.
- (3) After inserting the tube, pull on it lightly to confirm that it will not come out. If it is not installed securely all the way into the fitting, this can cause problems such as air leakage or the tube pulling out.

2) Detaching of tube

- (1) Push in the release button sufficiently, and push the collar evenly at the same time.
- (2) Pull out the tube while holding down the release button so that it does not come out. If the release button is not pressed down sufficiently, there will be increased bite on the tube and it will become more difficult to pull it out.
- (3) When the removed tube is to be used again, cut off the portion which has been chewed before reusing it. If the chewed portion of the tube is used as is, this can cause trouble such as air leakage or difficulty in removing the tube.



SV Series

Specific Product Precautions 3

Be sure to read this before handling the products.

Other Tubing Brands

Caution

1. When using tube other than SMC brand, confirm that the following specifications are satisfied with respect to the outside diameter tolerance of the tube.

- 1) Nylon tubing within ± 0.1 mm
- 2) Soft nylon tubing within ± 0.1 mm
- 3) Polyurethane tubing within $+0.15$ mm
 within -0.2 mm

Do not use tubing which does not meet these outside diameter tolerances. It may not be possible to connect them, or they may cause other trouble, such as air leakage or the tube pulling out after connection.

Back Pressure Check Valve Built-in Type

Caution

1. Valves with built-in back pressure check valve is to protect the back pressure inside a valve. For this reason, use caution the valves with external pilot specification cannot be pressurized from exhaust port [3/5(E)]. As compared with the types which do not integrate the back pressure check valve, C value of the flow rate characteristics goes down. For details, please contact SMC.
2. Do not switch valves when A or B port is open to the atmosphere, or while the actuators and air operated equipment are in operation. The back pressure prevention seal may be peeled off, which may cause air leakage or malfunctions. Use caution especially when performing a trial operation or maintenance work.



Series SV Specific Product Precautions 4

Be sure to read before handling.

Interface Regulator

Caution

Specifications

Interface regulator	SV1□00-□-□	SV2000-□-□	SV3000-□-□	SV4000-□-□	
Applicable model	SV1000	SV2000	SV3000	SV4000	
Regulating port	P, A, B				
Set pressure range	0.1 to 0.7 MPa				
Maximum operating pressure	0.7 MPa				
Fluid	Air				
Ambient and fluid temp.	Maximum at 50 °C				
Weight	With pressure gauge	38.4 g (43.4 g)	86.5 g	103.8 g	178.2 g
	Without pressure gauge	32 g (37 g)	80.3 g	97.6 g	171.8 g

Note 1) Apply pressure from P port in the base for interface regulator.

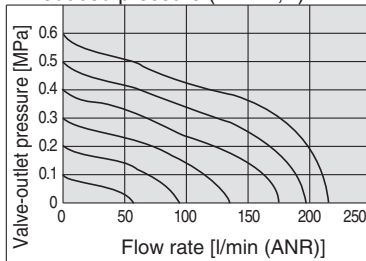
Note 2) P port pressure regulation is only available for closed centre, pressure centre and 4-position dual 3-port valve.

Note 3) Gasket and mounting screws are included in the weight.

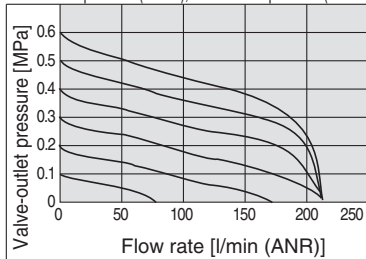
Note 4) (): Denotes the values of SV1300.

Flow Characteristics

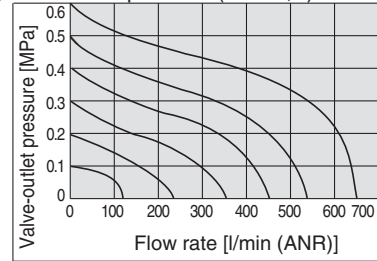
SV1000 P Reduced pressure (P → A,B)



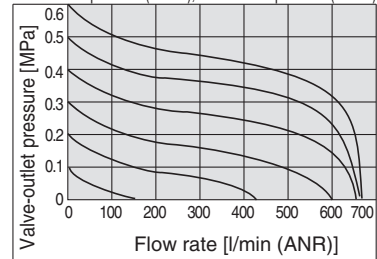
A1 Reduced pressure (P → A), B1 Reduced pressure (P → B)



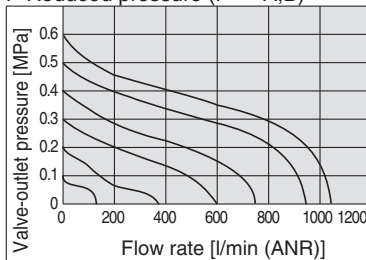
SV2000 P Reduced pressure (P → A,B)



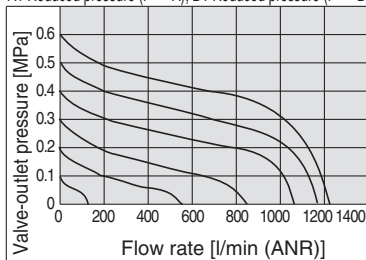
A1 Reduced pressure (P → A), B1 Reduced pressure (P → B)



SV3000 P Reduced pressure (P → A,B)



A1 Reduced pressure (P → A), B1 Reduced pressure (P → B)





Series SV

Specific Product Precautions 5

Be sure to read before handling.

Serial Wiring EX500/EX250/EX260/EX120 Precautions

Warning

1. **These products are intended for use in general factory automation equipment.**
Avoid using these products in machinery/equipment which affects human safety, and in cases where malfunction or failure can result in extensive damage.
2. **Do not use in an explosive atmosphere, environment with inflammable gases, or corrosive atmosphere.**
This can cause injury or fire, etc.
3. **Work such as transporting, installing, piping, wiring, operation, control and maintenance should be performed by personnel with specialised knowledge.**
There is a danger of electrocution, injury or fire, etc.
4. **Install an external emergency stop circuit that can promptly stop operation and shut off the power supply.**
5. **Do not remodel these products, as there is a danger of injury and damage.**
6. **Do not wipe the product with chemicals, etc.**

Caution

1. **Read the instruction manual carefully, strictly observe the precautions and operate within the range of the specifications.**
2. **Do not drop these products or submit them to strong impacts. This can cause damage, failure or malfunction, etc.**
3. **In locations with poor electrical conditions, take steps to ensure a steady flow of the rated power supply. Use of a voltage outside of the specifications can cause malfunction, damage to the unit, electrocution or fire, etc.**
4. **Do not touch connector terminals or internal substrates when current is being supplied. There is a danger of malfunction, damage to the unit or electrocution if connector terminals or internal substrates are touched when current is being supplied.**
Be sure that the power supply is OFF when adding or removing manifold valves or input blocks, etc., or when connecting or disconnecting connectors.
5. **Operate at an ambient temperature that is within the specifications. Even when the ambient temperature range is within the specifications, do not use in locations where there are rapid temperature changes.**
6. **Keep wire scraps and other extraneous material from getting inside these products. This can cause fire, failure or malfunction, etc.**
7. **Give consideration to the operating environment depending on the type of enclosure being used.**
To achieve IP65 or IP67 protection, provide appropriate wiring between all units using electrical wiring cables, communication connectors and cables with M12 connectors. Also, provide waterproof caps when there are unused ports, and perform proper mounting of input units, input blocks, SI units and manifold valves, etc. Provide a cover or other protection for applications in which there is constant exposure to water.
8. **Obey the proper tightening torque.**
There is a possibility of damaging threads if tightening exceeds the tightening torque range.
9. **Provide adequate protection when operating in locations such as the following:**
 - Where noise is generated by static electricity, etc.
 - Where there is a strong electric field
 - Where there is a danger of exposure to radiation
 - When in close proximity to power supply lines

Caution

10. **When these products are installed in equipment, provide adequate protection against noise by using noise filters, etc.**
11. **Since these products are components that are used after installation in other equipment, the customer should confirm conformity to EMC directives for the finished product.**
12. **Do not remove the name plate.**
13. **Perform periodic inspections and confirm normal operation. It may otherwise be impossible to guarantee safety due to unexpected malfunction or erroneous operation.**
14. **Do not use in places where there are cyclic temperature changes.**
In case that the cyclic temperature is beyond normal temperature changes, the inside the product is likely to be adversely effected.
15. **Do not use in direct sunlight.**
Do not use in direct sunlight. It may cause malfunction or damage.
16. **Do not use in places where there is radiated heat around it.**
Such a place is likely to cause malfunction.

Power Supply Safety Instructions

Caution

1. **Operation is possible with a single power supply or a separate power supply. However, be sure to provide two wiring systems (one for solenoid valves, and one for input and control units).**
2. **Use the following UL approved products for DC power supply combinations.**
 - 1) **Controlled voltage current circuit conforming to UL508**
Circuit uses the secondary coil of an isolated transformer as the power supply, satisfying the following conditions.
 - Max. voltage (with no load): 30 Vrms (42.4 V peak) or less
 - Max. current: (1) 8 A or less (including shorts), and
 - (2) **When controlled by a circuit protector (fuse, etc.) with the following rating**

No-load voltage (V peak)	Max. current rating
0 to 20 [V]	5.0
Over 20 [V] to 30 [V]	100 Peak voltage value

- 2) **A circuit (class 2 circuit) with maximum 30 Vrms (42.4 V peak) or less, and a power supply consisting of a class 2 power supply unit confirming to UL1310, or a class 2 transformer confirming to UL1585**

Safety Instructions for Cable

Caution

1. **Be careful of mis-wiring. This can cause malfunction, damage and fire in the unit.**
2. **To prevent noise and surge in signal lines, keep all wiring separate from power lines and high voltage lines. Otherwise, this can cause malfunction.**
3. **Check wiring insulation, as defective insulation can cause damage to the unit due to excessive voltage or current.**
4. **Do not bend or pull cables repeatedly, and do not place heavy objects on them or allow them to be pinched. This can cause broken lines.**



Series SV Specific Product Precautions 6

Be sure to read before handling.

EX600 Precautions

Design/Selection

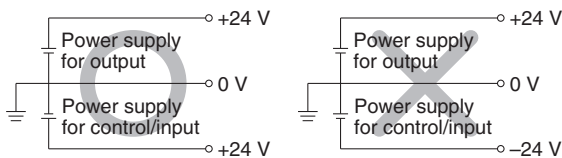
Warning

- 1. Use this product within the specification range.**
Using beyond the specified specifications range can cause fire, malfunction, or damage to the system. Confirm the specifications when operating.
- 2. When using for an interlock circuit:**
 - Provide a multiple interlock system which is operated by another system (such as mechanical protection function).
 - Perform an inspection to check that it is working properly.

This may cause possible injury due to malfunction.

Caution

- 1. When applicable to UL, use a Class 2 power supply unit conforming to UL1310 for direct current power supply.**
- 2. Use this product within the specified voltage range.**
Using beyond the specified voltage range is likely to cause the units and connecting devices to be damaged or to malfunction.
- 3. The power supply for the unit should be 0 V as the standard for both power supply for output as well as power supply for control/input.**



- 4. Do not install a unit in a place where it can be used as a foothold.**
Applying any excessive load such as stepping on the unit by mistake or placing a foot on it, will cause it to break.
- 5. Keep the surrounding space free for maintenance.**
When designing a system, take into consideration the amount of free space needed for performing maintenance.
- 6. Do not remove the name plate.**
Improper maintenance or incorrect use of operation manual can cause failure and malfunction. Also, there is a risk of losing conformity with safety standards.
- 7. Beware of inrush current when the power supply is turned on.**
Some connected loads can apply an initial charge current which will trigger the over current protection function, causing the unit to malfunction.

Mounting

Caution

- 1. When handling and assembling units:**
 - Do not touch the sharp metal parts of the connector or plug.
 - Do not apply excessive force to the unit when disassembling.
The connecting portions of the unit are firmly joined with seals.
 - When joining units, take care not to get fingers caught between units.
Injury can result.

Mounting

Caution

- 2. Do not drop, bump, or apply excessive impact.**
Otherwise, the unit can become damaged, malfunction, or fail to function.
- 3. Observe the tightening torque range.**
Tightening outside of the allowable torque range will likely damage the screw. IP67 cannot be guaranteed if the screws are not tightened to the specified torque.
- 4. When lifting a large size manifold solenoid valve unit, take care to avoid causing stress to the valve connection joint.**
The connection parts of the unit may be damaged. Because the unit may be heavy, carrying and installation should be performed by more than one operator to avoid strain or injury.
- 5. When placing a manifold, mount it on a flat surface.**
Torsion in the whole manifold can lead to trouble such as air leakage or defective insulation.

Wiring

Caution

- 1. Confirm grounding to maintain the safety of the reduced wiring system and for anti-noise performance.**
Provide a specific grounding as close to the unit as possible to minimise the distance to grounding.
- 2. Avoid repeatedly bending or stretching the cable and applying a heavy object or force to it.**
Wiring applying repeated bending and tensile stress to the cable can break the circuit.
- 3. Avoid miswiring.**
If miswired, there is a danger of malfunction or damage to the reduced wiring system.
- 4. Do not wire while energising the product.**
There is a danger of malfunction or damage to the reduced wiring system or input/output equipment.
- 5. Avoid wiring the power line and high pressure line in parallel.**
Noise or surge produced by signal line resulting from the power line or high pressure line could cause malfunction. Wiring of the reduced wiring system or input/output device and the power line or high pressure line should be separated from each other.
- 6. Confirm the wiring insulation.**
Defective insulation (contact with other circuits, improper insulation between terminals, etc.) may cause damage to the reduced wiring system or input/output device due to excessive voltage or current.



Series SV Specific Product Precautions 7

Be sure to read before handling.

EX600 Precautions

Wiring

Caution

- 7. When a reduced wiring system is installed in machinery/equipment, provide adequate protection against noise by using noise filters, etc.**
Noise in signal lines may cause malfunction.
- 8. When connecting wires of input/output device or Handheld Terminal, prevent water, solvent or oil from entering inside from the connector section.**
This can cause damage, equipment failure or malfunction.
- 9. Avoid wiring patterns in which excessive stress is applied to the connector.**
This may cause malfunction or damage to the unit due to contact failure.

Operating Environment

Warning

- 1. Do not use in an atmosphere containing an inflammable gas or explosive gas.**
Use in such an atmosphere is likely to cause a fire or explosion. This system is not explosion-proof.

Caution

- 1. Select the proper type of enclosure according to the environment of operation.**
IP65/67 is achieved when the following conditions are met.
 - 1) Provide appropriate wiring between all units using electrical wiring cables, communication connectors and cables with M12 connectors.
 - 2) Suitable mounting of each unit and manifold valve.
 - 3) Be sure to mount a seal cap on any unused connectors.If using in an environment that is exposed to water splashes, please take measures such as using a cover. When the enclosure is IP40, do not use in an operating environment or atmosphere where it may come in contact with corrosive gas, chemical agents, seawater, water, or water vapour. When connected to EX600-D□□E or EX600-D□□F, manifold enclosure is IP40. Also, the Handheld Terminal conforms to IP20, so prevent foreign matter from entering inside, and water, solvent or oil from coming in direct contact with it.
- 2. Provide adequate protection when operating in locations such as the following.**
Failure to do so may cause damage or malfunction. The effect of countermeasures should be checked in individual equipment and machine.
 - 1) Where noise is generated by static electricity, etc.
 - 2) Where there is a strong electric field
 - 3) Where there is a danger of exposure to radiation
 - 4) When in close proximity to power supply lines

Operating Environment

Caution

- 3. Do not use in an environment where oil and chemicals are used.**
Operating in environments with coolants, cleaning solvents, various oils or chemicals may cause adverse effects (damage, malfunction) to the unit even in a short period of time.
- 4. Do not use in an environment where the product could be exposed to corrosive gas or liquid.**
This may damage the unit and cause it to malfunction.
- 5. Do not use in locations with sources of surge generation.**
Installation of the unit in an area around the equipment (electromagnetic lifters, high frequency induction furnaces, welding machine, motors, etc.), which generates the large surge voltage could cause to deteriorate an internal circuitry element of the unit or result in damage. Implement countermeasures against the surge from the generating source, and avoid touching the lines with each other.
- 6. Use the product type that has an integrated surge absorption element when directly driving a load which generates surge voltage by relay, solenoid valves or lamp.**
When a surge generating load is directly driven, the unit may be damaged.
- 7. The product is CE marked, but not immune to lightning strikes. Take measures against lightning strikes in your system.**
- 8. Keep dust, wire scraps and other extraneous material from getting inside the product.**
This may cause malfunction or damage.
- 9. Mount the unit in such locations, where no vibration or shock is affected.**
This may cause malfunction or damage.
- 10. Do not use in places where there are cyclic temperature changes.**
In case that the cyclic temperature is beyond normal temperature changes, the internal unit is likely to be adversely affected.
- 11. Do not use in direct sunlight.**
Do not use in direct sunlight. It may cause malfunction or damage.
- 12. Use this product within the specified ambient temperature range.**
This may cause malfunction.
- 13. Do not use in places where there is radiated heat around it.**
Such a place is likely to cause malfunction.



Series SV

Specific Product Precautions 8

Be sure to read before handling.

EX600 Precautions

Adjustment/Operation

⚠ Warning

1. **Do not perform operation or setting with wet hands.**
There is a risk of electrical shock.

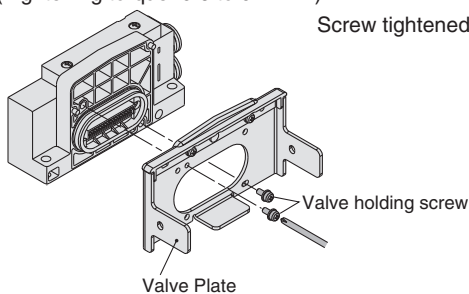
<Handheld Terminal>

2. **Do not apply pressure to the LCD.**
There is a possibility of the crack of LCD and injuring.
3. **The forced input/output function is used to change the signal status forcibly. When operating this function, be sure to check the safety of the surroundings and installation.**
Otherwise, injury or equipment damage could result.
4. **Incorrect setting of parameters can cause malfunction. Be sure to check the settings before use.**
This may cause injury or equipment damage.

⚠ Caution

1. **Use a watchmaker's screwdriver with thin blade for the setting of each switch of the SI Unit. When setting the switch, do not touch other unrelated parts.**
This may cause parts damage or malfunction due to a short circuit.
 2. **Provide adequate setting for the operating conditions.**
Failure to do so could result in malfunction. Refer to the operation manual for setting of the switches.
 3. **For the details of programming and address setting, refer to the manual from the PLC manufacturer.**
The content of programming related to protocol is designed by the manufacturer of the PLC used.
- ##### <Handheld Terminal>
4. **Do not press the setting buttons with a sharp pointed object.**
This may cause damage or malfunction.
 5. **Do not apply excessive load and impact to the setting buttons.**
This may cause damage, equipment failure or malfunction.

When the order does not include the SI Unit, the Valve Plate to connect the manifold and SI Unit is not mounted. Use attached valve fixing screws and mount the Valve Plate.
(Tightening torque: 0.6 to 0.7 N·m)



Maintenance

⚠ Warning

1. **Do not disassemble, modify (including circuit board replacement) or repair this product.**
Such actions are likely to cause injuries or breakage.
2. **When an inspection is performed,**
 - Turn off the power supply.
 - Stop the air supply, exhaust the residual pressure in piping and verify that the air is released before performing maintenance work.
 Unexpected malfunction of system components and injury can result.

⚠ Caution

1. **When handling and replacing the unit:**
 - Do not touch the sharp metal parts of the connector or plug.
 - Do not apply excessive force to the unit when disassembling.
The connecting portions of the unit are firmly joined with seals.
 - When joining units, take care not to get fingers caught between units.
Injury can result.
2. **Perform periodic inspection.**
Unexpected malfunction in the system composition devices is likely to occur due to malfunction of machinery or equipment.
3. **After maintenance, make sure to perform an appropriate functionality inspection.**
In cases of abnormality such as faulty operation, stop operation. Unexpected malfunction in the system composition devices is likely to occur.
4. **Do not use benzene and thinner for cleaning units.**
Damage to the surface or erasure of the display can result. Wipe off any stains with a soft cloth. If the stain is persistent, wipe off with a cloth soaked in a dilute solution of neutral detergent and wrung out tightly, and then finish with a dry cloth.

Other

⚠ Caution

1. **Refer to the catalogue of each series for Common Precautions and Specific Product Precautions on manifold solenoid valves.**

■ Trademark

DeviceNet™ is a trademark of ODVA. EtherNet/IP™ is a trademark of ODVA. CompoNet™ is a trademark of ODVA. EtherCAT® is registered trademark and patented technology, licensed by Beckhoff Automation GmbH, Germany.

Safety Instructions

These safety instructions are intended to prevent hazardous situations and/or equipment damage. These instructions indicate the level of potential hazard with the labels of “Caution,” “Warning” or “Danger.” They are all important notes for safety and must be followed in addition to International Standards (ISO/IEC)*1), and other safety regulations.



Caution:

Caution indicates a hazard with a low level of risk which, if not avoided, could result in minor or moderate injury.



Warning:

Warning indicates a hazard with a medium level of risk which, if not avoided, could result in death or serious injury.



Danger:

Danger indicates a hazard with a high level of risk which, if not avoided, will result in death or serious injury.

*1) ISO 4414: Pneumatic fluid power – General rules relating to systems.
ISO 4413: Hydraulic fluid power – General rules relating to systems.
IEC 60204-1: Safety of machinery – Electrical equipment of machines.
(Part 1: General requirements)
ISO 10218-1: Manipulating industrial robots - Safety.
etc.

Warning

1. The compatibility of the product is the responsibility of the person who designs the equipment or decides its specifications.

Since the product specified here is used under various operating conditions, its compatibility with specific equipment must be decided by the person who designs the equipment or decides its specifications based on necessary analysis and test results. The expected performance and safety assurance of the equipment will be the responsibility of the person who has determined its compatibility with the product. This person should also continuously review all specifications of the product referring to its latest catalogue information, with a view to giving due consideration to any possibility of equipment failure when configuring the equipment.

2. Only personnel with appropriate training should operate machinery and equipment.

The product specified here may become unsafe if handled incorrectly. The assembly, operation and maintenance of machines or equipment including our products must be performed by an operator who is appropriately trained and experienced.

3. Do not service or attempt to remove product and machinery/equipment until safety is confirmed.

1. The inspection and maintenance of machinery/equipment should only be performed after measures to prevent falling or runaway of the driven objects have been confirmed.
2. When the product is to be removed, confirm that the safety measures as mentioned above are implemented and the power from any appropriate source is cut, and read and understand the specific product precautions of all relevant products carefully.
3. Before machinery/equipment is restarted, take measures to prevent unexpected operation and malfunction.

4. Contact SMC beforehand and take special consideration of safety measures if the product is to be used in any of the following conditions.

1. Conditions and environments outside of the given specifications, or use outdoors or in a place exposed to direct sunlight.
2. Installation on equipment in conjunction with atomic energy, railways, air navigation, space, shipping, vehicles, military, medical treatment, combustion and recreation, or equipment in contact with food and beverages, emergency stop circuits, clutch and brake circuits in press applications, safety equipment or other applications unsuitable for the standard specifications described in the product catalogue.
3. An application which could have negative effects on people, property, or animals requiring special safety analysis.
4. Use in an interlock circuit, which requires the provision of double interlock for possible failure by using a mechanical protective function, and periodical checks to confirm proper operation.

Limited warranty and Disclaimer/ Compliance Requirements

The product used is subject to the following “Limited warranty and Disclaimer” and “Compliance Requirements”.

Read and accept them before using the product.

Limited warranty and Disclaimer

1. The warranty period of the product is 1 year in service or 1.5 years after the product is delivered, whichever is first.*2) Also, the product may have specified durability, running distance or replacement parts. Please consult your nearest sales branch.
2. For any failure or damage reported within the warranty period which is clearly our responsibility, a replacement product or necessary parts will be provided. This limited warranty applies only to our product independently, and not to any other damage incurred due to the failure of the product.
3. Prior to using SMC products, please read and understand the warranty terms and disclaimers noted in the specified catalogue for the particular products.

*2) Vacuum pads are excluded from this 1 year warranty.

A vacuum pad is a consumable part, so it is warranted for a year after it is delivered. Also, even within the warranty period, the wear of a product due to the use of the vacuum pad or failure due to the deterioration of rubber material are not covered by the limited warranty.

Compliance Requirements

1. The use of SMC products with production equipment for the manufacture of weapons of mass destruction (WMD) or any other weapon is strictly prohibited.
2. The exports of SMC products or technology from one country to another are governed by the relevant security laws and regulations of the countries involved in the transaction. Prior to the shipment of a SMC product to another country, assure that all local rules governing that export are known and followed.

Caution

1. The product is provided for use in manufacturing industries.

The product herein described is basically provided for peaceful use in manufacturing industries.

If considering using the product in other industries, consult SMC beforehand and exchange specifications or a contract if necessary.

If anything is unclear, contact your nearest sales branch.

Caution

SMC products are not intended for use as instruments for legal metrology.

Measurement instruments that SMC manufactures or sells have not been qualified by type approval tests relevant to the metrology (measurement) laws of each country.

Therefore, SMC products cannot be used for business or certification ordained by the metrology (measurement) laws of each country.

Safety Instructions

Be sure to read “Handling Precautions for SMC Products” (M-E03-3) before using.

SMC Corporation (Europe)

Austria	+43 (0)2262622800	www.smc.at	office@smc.at
Belgium	+32 (0)33551464	www.smc.be	info@smc.be
Bulgaria	+359 (0)2807670	www.smc.bg	office@smc.bg
Croatia	+385 (0)13707288	www.smc.hr	office@smc.hr
Czech Republic	+420 541424611	www.smc.cz	office@smc.cz
Denmark	+45 70252900	www.smc.dk.com	smc@smcdk.com
Estonia	+372 6510370	www.smc.ee	smc@smcpneumatics.ee
Finland	+358 207513513	www.smc.fi	smc@smc.fi
France	+33 (0)164761000	www.smc-france.fr	info@smc-france.fr
Germany	+49 (0)61034020	www.smc.de	info@smc.de
Greece	+30 210 2717265	www.smc.gr	sales@smc.gr
Hungary	+36 23513000	www.smc.hu	office@smc.hu
Ireland	+353 (0)14039000	www.smc.ie	sales@smc.ie
Italy	+39 0292711	www.smc.it	mail@smc.it
Latvia	+371 67817700	www.smc.lv	info@smc.lv

Lithuania	+370 5 2308118	www.smc.lt	info@smc.lt
Netherlands	+31 (0)205318888	www.smc.nl	info@smc.nl
Norway	+47 67129020	www.smc-norge.no	post@smc-norge.no
Poland	+48 222119600	www.smc.pl	office@smc.pl
Portugal	+351 214724500	www.smc.pt	apoioclient@smc.pt
Romania	+40 213205111	www.smcromania.ro	smcromania@smcromania.ro
Russia	+7 8127185445	www.smc-pneumatik.ru	info@smc-pneumatik.ru
Slovakia	+421 (0)413213212	www.smc.sk	office@smc.sk
Slovenia	+386 (0)73885412	www.smc.si	office@smc.si
Spain	+34 945184100	www.smc.es	post@smc.es
Sweden	+46 (0)86031200	www.smc.se	post@smc.se
Switzerland	+41 (0)523963131	www.smc.ch	info@smc.ch
Turkey	+90 212 489 0 440	www.smc.com.tr	info@smc.com.tr
UK	+44 (0)845 121 5122	www.smc.uk	sales@smc.uk