

For liquids

Clamp-on Type Flow Sensor

New

CE UK
CA

RoHS

IP65 IP67 IO-Link

***Benefit from the eight
“zeros” with clamp
mounting!***

Zero piping work

Zero leakage

Zero clogging

Zero pressure loss

Zero fluid contact

Zero fluid contact parts material concerns

Zero foreign matter entry into piping

Rated flow rate range from zero l/min

**“Easy mounting and
retrofitting”
Reduced installation work**



PFUW Series

SMC

CAT.EUS100-167A-UK

Benefit from the 8 “zeros” with clamp mounting!

No piping work required

- **Zero piping work**
- **Zero leakage**

Can be easily mounted to piping with only 2 bands and 2 screws!



Can be retrofitted to existing piping at any position with two steps



No sensor inside piping required ▶ Not affected by water hammer

- **Zero clogging**
- **Zero pressure loss**

No contact with fluid in piping

- **Zero fluid contact**
- **Zero fluid contact parts material concerns**
- **Zero foreign matter entry into piping**

- **Rated flow rate range from zero l/min**

Can detect when there is no fluid flowing in piping (0 l/min)

Model	Applicable port size		Flow range [l/min]				
	Nominal A	Nominal B	0.5	5	10	40	100
PFUW760	15A	1/2"	0			60	
PFUW711	20A	3/4"	0				100



Types of compatible piping

Flow rate	Port size	
	Nominal A	Nominal B
60 L type	15A	1/2"
100 L type	20A	3/4"

Applicable fluids

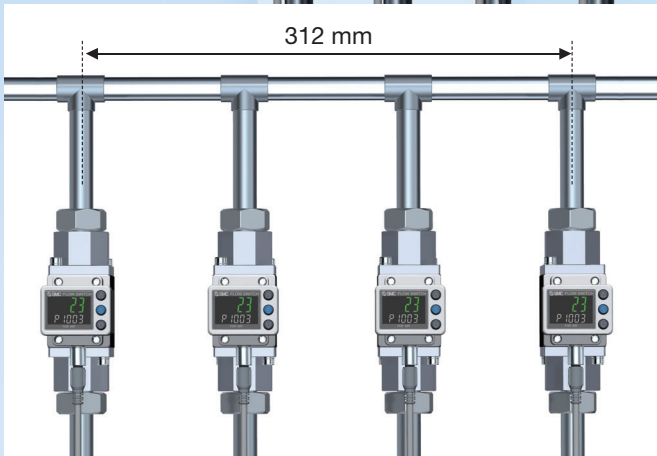
General liquids

Beverage	Oil	Antifreeze	Chemical liquids	Water	High-pressure fluids
----------	-----	------------	------------------	-------	----------------------

Can be mounted in close proximity (Reduced installation space)

Screw-in piping
PF3W711

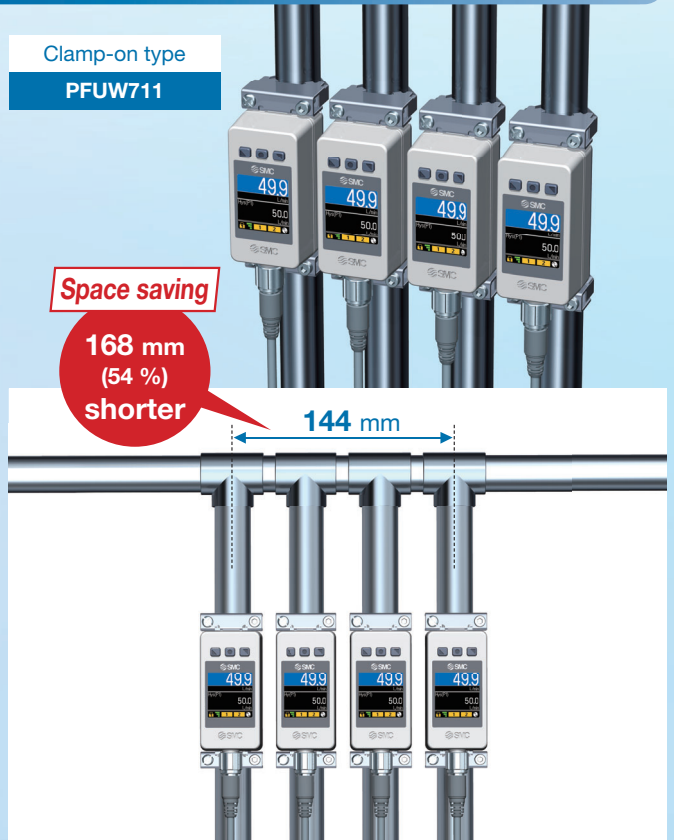
Tool interference when mounting the screw-in type



Clamp-on type
PFUW711

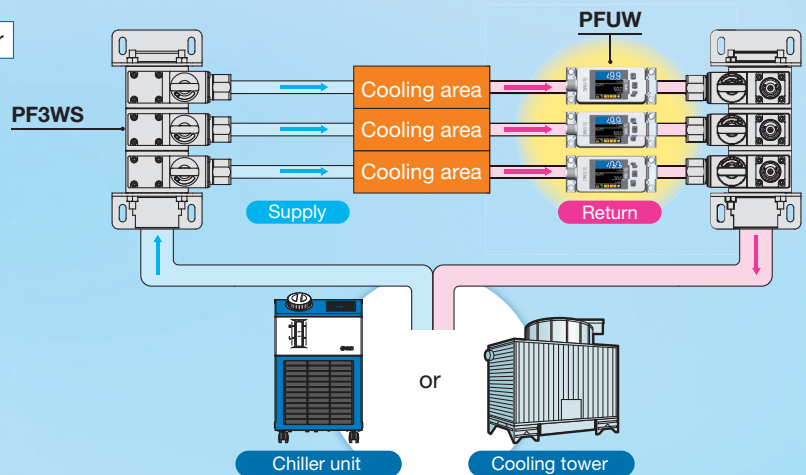
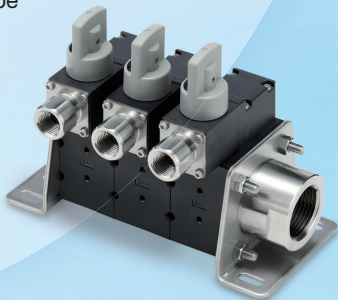
Space saving

168 mm
(54 %)
shorter



Example For use in combination with manifolds for water

Supply type
PF3WS



Colour display/2-screen display supported


For the confirmation of the instantaneous flow rate, set value, and accumulated flow rate at a glance

Main screen

Instantaneous flow rate

Sub screen

Set value, accumulated flow rate, etc.



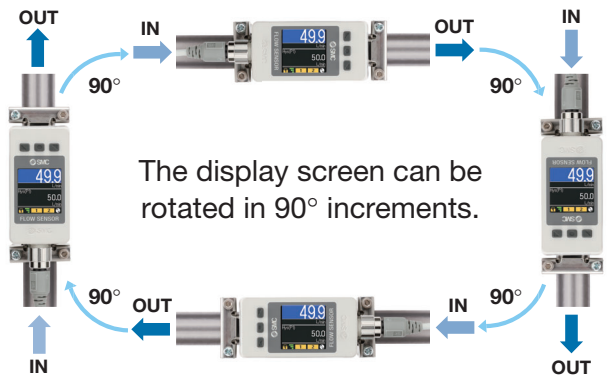
Size

1.44 inch

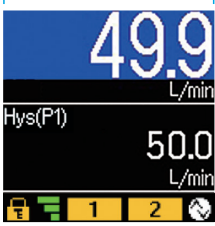
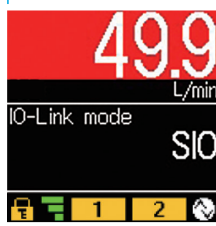
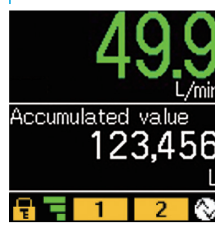
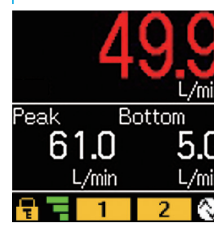

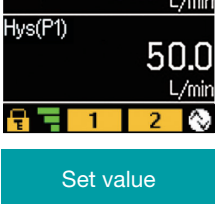
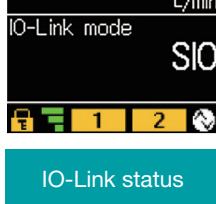
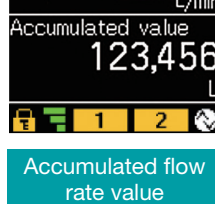
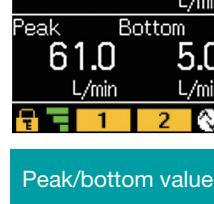

Resolution/Colour

128 x 128/RGB

Improved visibility and operability









The colour display allows for improved visibility. And the 2-screen display allows you to check the status at a glance.

Instantaneous flow rate value						
	Blue background with white characters	Red background with white characters	Black background with green characters	Black background with red characters	Black background with white characters	
<p>Main screen</p> <p>Instantaneous flow rate value</p>						
<p>Sub screen</p> <p>Set value</p> <p>IO-Link status</p> <p>Accumulated flow rate value</p> <p>Peak/bottom value</p> <p>Line name</p>						
	Set value	IO-Link status	Accumulated flow rate value	Peak/bottom value	Line name	

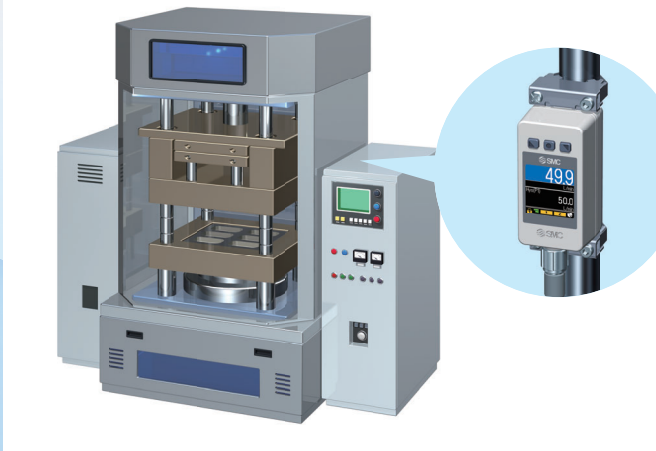
Ultrasonic reception strength display: Ultrasonic indicator

The product mounting status can be confirmed at a glance via the ultrasonic reception strength. The ultrasonic detection level varies depending on the piping type, fluid, piping condition, and product mounting status (tightness of the clamping screws).

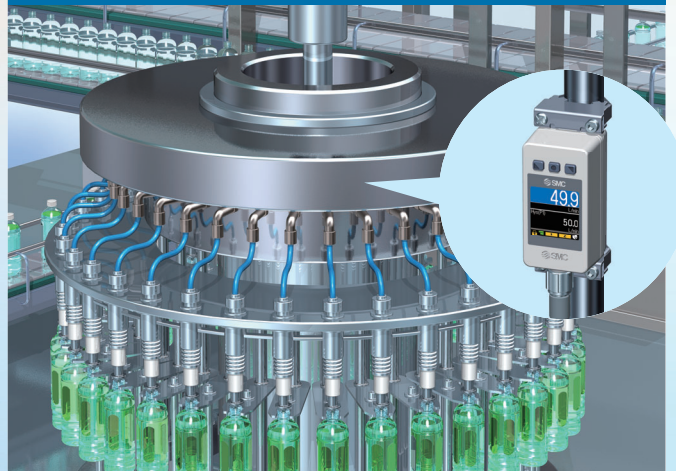
	Icon	Ultrasonic detection level	Description	Note
		Level 0	Detection is disabled.	The ultrasonic detection level is low. Check the piping condition and product mounting status, and also check whether the piping is full of fluid and whether there are bubbles or foreign matter in the fluid.
		Level 1	Low stability	Check the piping condition and product mounting status. Depending on the piping condition, changing the piping mounting position may improve the ultrasonic detection level.
		Level 2	Medium stability	Recommended value Stable measurement is possible.
		Level 3	High stability	Recommended value Stable measurement is possible.
		Level 4	Excessive ultrasonic detection	The ultrasonic detection level is too high. Flow measurement may become unstable. Change the ultrasonic transmission level (F11 Power) to "Low."

Applications

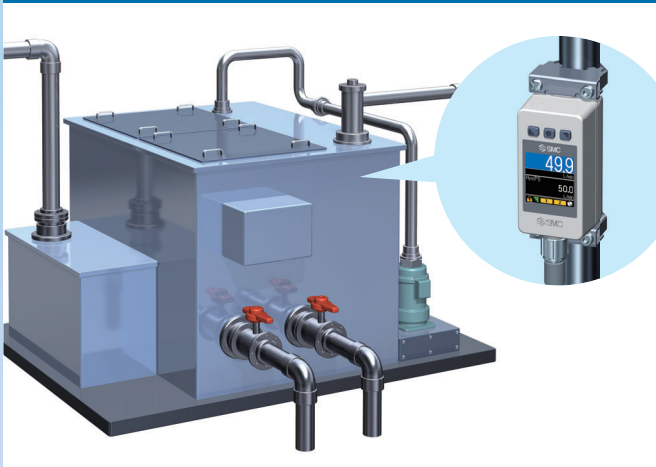
For the cooling of processing machines (casting machines)



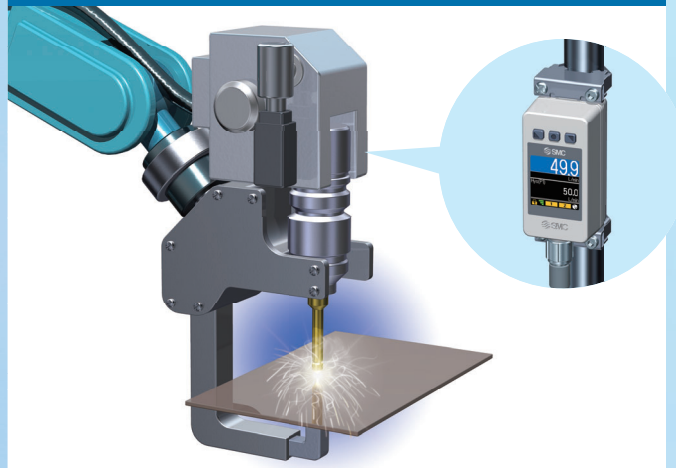
For the beverage management of filler machines



For drainage management



For the cooling of welding guns



For the cooling of PET bottle moulding machines



For coolant management



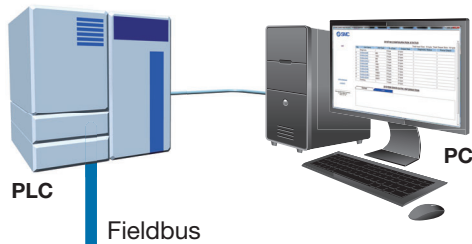
Applicable fluids General liquids: Beverage, Oil, Antifreeze, Chemical liquids, Water, High-pressure fluids

IO-Link Compatible PFUW7□-□□-□□

Supports the IO-Link communication protocol



IO-Link is an open communication interface technology between the sensor/actuator and the I/O terminal that is an international standard, IEC 61131-9.



Configuration File (IODD File*1)

- Manufacturer · Product part no.
- Set value

*1 IODD File
IODD is an abbreviation of IO Device Description. This file is necessary for setting the device and connecting it to a master. Save the IODD file on the PC to be used to set the device prior to use.

Device settings can be set by the master.

- Threshold value
- Operation mode, etc.
- Flow rate command value

Read the device data.

- Switch ON/OFF signal and analogue value
- Device information: Manufacturer, Product part number, Serial number, etc.
- Normal or abnormal device status
- Cable breakage



IO-Link Compatible Device: Digital Flow Switch

For the confirmation of the status via the input process data

Input Process Data

Bit offset	63	62	61	60	59	58	57	56	55	54	53	52	51	50	49	48
Item	Accumulated measurement value, upper (PD)															
Bit offset	47	46	45	44	43	42	41	40	39	38	37	36	35	34	33	32
Item	Accumulated measurement value, lower (PD)															
Bit offset	31	30	29	28	27	26	25	24	23	22	21	20	19	18	17	16
Item	Flow rate measurement value (PD)															
Bit offset	15	14	13	12	11	10	9	8	7	6	5	4	3	2	1	0
Item	System error	Error	Fixed output	Ultrasonic error	Reservation	Flow rate diagnosis	Accumulation diagnosis	Flow rate unit	Ultrasonic intensity	Instantaneous 2	Instantaneous 1	Accumulated 2	Accumulated 1			

Bit offset	Item	Note
0	Accumulated OUT1 output	0: Less than the set value 1: Greater than the set value
1	Accumulated OUT2 output	0: Less than the set value 1: Greater than the set value
2	Instantaneous OUT1 output	0: OFF 1: ON
3	Instantaneous OUT2 output	0: OFF 1: ON
4 to 6	Ultrasonic intensity indicator	0 to 4
7	Flow rate unit	0: l/min 1: gal/min
8	Diagnosis (Accumulated flow rate)	0: Within range 1: Out of range
9	Diagnosis (Instantaneous flow rate)	0: Within range 1: Out of range
12	Ultrasonic measurement error	0: No error 1: error
13	Fixed output	0: OFF 1: ON
14	Error (Other than system error)	0: OFF 1: ON
15	Error (System error)	0: OFF 1: ON
16 to 31	Instantaneous flow rate measurement value	Signed 16 bit
32 to 47	Accumulated flow rate measurement value (lower)	Unsigned 32 bit
48 to 63	Accumulated flow rate measurement value (upper)	Unsigned 32 bit

Diagnosis items

- Over current error
- Outside of rated flow range/accumulated flow range
- Internal product malfunction
- Outside of zero-clear range

Communication with master	IO-Link communication status	Status	Screen display	Description
Yes	IO-Link mode	Operate	IO-Link mode Operate	Normal communication status
		Start up	IO-Link mode StartUp	
		Preoperate	IO-Link mode PreOperate	
No	IO-Link mode	Version does not match	Err 15 IO-Link version error	The IO-Link version does not match that of the master.
		Communication disconnection	IO-Link mode Operate IO-Link mode StartUp IO-Link mode PreOperate	Normal communication was not received for 1 s or longer.
OFF		SIO mode	IO-Link mode SIO	General switch output

* If the version of the connected IO-Link master is something other than "V1.1," the display will show an error.

CONTENTS

For liquids Clamp-on Type Flow Sensor *PFUW Series*



How to Order	p. 7
Specifications	p. 8
Flow Range	p. 9
Flow Rate / Analogue Output	p. 9
Flow Rate Measurement Method	p. 10
Piping Characteristics (Reference Data)	p. 10
Dimensions	p. 11
Safety Instructions	Back cover

PFUW Series

IP65

IP67



How to Order

PFUW7 60 - L3 [] - [] - []

• **Rated flow range**

Symbol	Rated flow range	Applicable port size	
		Nominal A	Nominal B
60	0 to 60 l/min	15A	1/2"
11	0 to 100 l/min	20A	3/4"

• **Calibration certificate**

Symbol	Calibration certificate
-	-
A	●

• **Output specification**

Symbol	OUT1	OUT2
L1	IO-Link/NPN/PNP	-
L2	IO-Link/NPN/PNP	NPN/PNP/External input
L3	IO-Link/NPN/PNP	Analogue output (1 to 5 V ↔ 0 to 10 V)*1
L4	IO-Link/NPN/PNP	Analogue output (4 to 20 mA)

*1 1 to 5 V or 0 to 10 V can be selected by pressing the button. The default setting is 1 to 5 V.

• **Unit specification**

Symbol	Description
-	Units selection function*3
M	SI unit only*4

*3 The unit can be changed.
Instantaneous flow: l/min ↔ gal/min
Accumulated flow: L ↔ gal

*4 Fixed unit Instantaneous flow: l/min
Accumulated flow: L

• **Option**

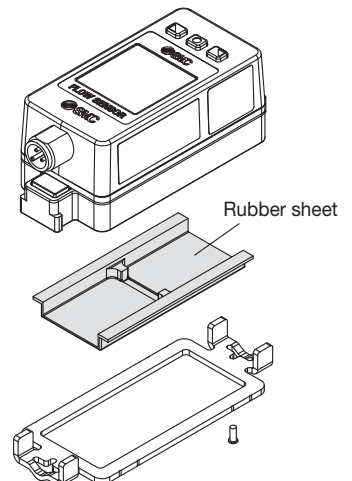
Symbol	Description
-	With lead wire with M12 connector (3 m)
N	Without lead wire with M12 connector
Q	With lead wire with M12-M12 connector (3 m)*2

*2 One side has an M12 (socket), and the other side has an M12 (plug) lead wire with a connector.

Options/Part Nos.

When only optional parts are required, order with the part numbers listed below.

Part no.	Option	Note
ZS-37-A	Lead wire with M12 connector	Length: 3 m
ZS-49-A	Lead wire with M12-M12 connector	Male/female conversion, Length: 3 m
ZS-57-60LR	Clamp assembly set 60	Left/right mounting bracket set (for the 60 L range)
ZS-57-11LR	Clamp assembly set 100	Left/right mounting bracket set (for the 100 L range)
ZS-57-A	Rubber sheet	Replacement parts



For flow switch precautions and specific product precautions, refer to the "Operation Manual" on the SMC website.

Specifications

Model		PFUW760	PFUW711	
Piping	Applicable piping material*1	Metal piping, Hard resin piping		
	Piping diameter	A type	15A	
		B type	1/2B	
Fluid	Applicable fluid*2	General liquids (Water, Oil, Chemical liquids, etc.)		
	Fluid temperature range	0 to 90 °C (No freezing or condensation)		
Flow	Detection method	Ultrasonic method (Propagation time difference method)		
	Rated flow range	0 to 60 l/min (Flow under 0.6 l/min is displayed as 0.0 l/min)*3	0 to 100 l/min (Flow under 1.0 l/min is displayed as 0.0 l/min)*3	
		Display/Set flow rate range	Instantaneous flow rate Accumulated flow	0 to 999,999,999 L
	Display/Minimum setting unit	Instantaneous flow rate	0.1 l/min	
		Accumulated flow	1 L	
	Zero cut-off range	0 to ±10 % F.S. (Select per 1 % F.S. for the maximum rated flow rate.)		
	Accumulated volume per pulse (Pulse width = 50 msec.)	1 l/pulse		
	Accumulated value hold function	Interval of 2 or 5 minutes can be selected.*4		
Accuracy*5	Flow rate accuracy	±3.0 % F.S.		
	Analogue output accuracy	±3.0 % F.S.		
	Repeatability	±2.0 % F.S.		
	Temperature characteristics	±5.0 % F.S. (25 °C standard)		
Analogue output*6	Output type	Voltage output: Select from 1 to 5 V or 0 to 10 V*7, Current output: 4 to 20 mA		
	Impedance	Voltage output	Output impedance: Approx. 1 kΩ	
		Current output	Max. load impedance: 600 Ω at power supply voltage of 24 V	
External input*8	Input type	Input voltage: NPN setting: 0.4 V or less (Reed or Solid state) PNP setting DC (+) -1 V or more		
	Input mode	Select from accumulated value external reset, peak/bottom reset, or zero-clear.		
	Input time	30 ms or more		
Switch output	Output type	Select from NPN or PNP open collector.		
	Output mode	Select from hysteresis, window comparator, accumulated output, accumulated pulse output, error output, or switch output OFF modes.		
	Switch operation	Select from normal output or reversed output.		
	Max. load current	80 mA		
	Max. applied voltage (NPN only)	30 VDC		
	Internal voltage drop (Residual voltage)	1.5 V or less (at load current of 80 mA)		
	Delay time*9	5 ms or less, variable from 0 to 60 s/0.01 s increments		
	Hysteresis*10	Variable from 0		
Electrical	Protection	Switch output power supply polarity protection, over current protection		
	Power supply voltage	18 to 30 VDC		
	Current consumption	85 mA or less		
Display	Protection	Power supply polarity protection		
	Display mode	Main screen: Instantaneous flow rate display Sub screen: Select from set flow rate display, accumulated flow rate display, etc.		
		Unit*11	Instantaneous flow	l/min, gal/min
	Display	Accumulated flow	L, gal	
Display	Display method: LCD, Display colour: White/Orange/Red/Green/Blue, 90°/180°/270° rotatable, Display values updated 10 times per second			
Digital filter*12	Select from 0.5, 1.0, 2.5, 5, 10, 30, or 60 s.			
Environmental resistance	Enclosure	IP65/IP67		
	Withstand voltage	250 VAC for 1 min between terminals and housing		
	Insulation resistance	2 MΩ or more between terminals and housing (with 50 VDC)		
	Operating temperature range	Operating: 0 to 50 °C, Stored: -10 to 60 °C (No freezing or condensation)		
Operating humidity range	Operating/Stored: 35 to 85 % R.H. (No condensation)			
Standards	CE/UKCA marking			
Material	Detection part: Special rubber, Mounting bracket: Stainless steel 304			
Weight	Body: 165 g, Mounting bracket: 46 g (PFUW760), 45 g (PFUW711) Lead wire with connector: +90 g			

- *1 Detection may be unstable depending on the piping type and condition. (e.g. lining pipe or coating pipe)
The recommended piping materials are as shown below.
· Metal piping: SGP, stainless steel 304 (sch20/40/80)
· Hard resin piping: VP, H1VP, H1VTP
For other types of piping, adjust via "F11," the measurement value inclination fine adjustment function.
- *2 The detection may become unstable if the fluid contains a large amount of foreign matter or air bubbles.
- *3 Set point range will change according to the setting of the zero cut-off function.
- *4 When using the accumulated value hold function, use the operating conditions to calculate the product life, and do not exceed it. The maximum update limit of the memory device is 1 million times. If the product is operated 24 hours per day, the product life will be as follows:
· 2 min interval: life is calculated as 2 min x 1 million = 2 million min = approx. 3.8 years
· 5 min interval: life is calculated as 5 min x 1 million = 5 million min = approx. 9.5 years
If the accumulated value external reset is repeatedly used, the product life will be shorter than the calculated life.
- *5 This is the guaranteed value under our equipment conditions. Errors may occur depending on the operating conditions (piping type, condition, fluid, temperature).
The specifications are for when the flow velocity distribution is stable.
Pulsation from equipment and flow velocity distribution fluctuations are not included.
- *6 When using a product with an analogue output
- *7 When selecting 0 to 10 V, refer to the analogue output graph for the allowable load current.
- *8 Switch output or external input can be selected by pressing the buttons.
- *9 The time from when the instantaneous flow reaches the set value to when the switch output operates can be set.
- *10 If the flow fluctuates around the set value, the hysteresis must be set to a value more than the fluctuating width. Otherwise, chattering will occur.
- *11 Setting is only possible for models with the units selection function.
- *12 The time for the digital filter can be set to the sensor input. The response time indicates when the set value is 90 % in relation to the step input.
- * Products with tiny scratches, marks, or display colour or brightness variations which do not affect the performance of the product are verified as conforming products.

PFUW Series

Specifications

Communication Specifications (IO-Link mode)

IO-Link type	Device
IO-Link version	V1.1
Communication speed	COM2 (38.4 kbps)
Configuration file	IODD file*1
Minimum cycle time	4.5 ms
Process data length	Input data: 8 bytes, Output data: 0 bytes
On request data communication	Available
Data storage function	Available
Event function	Available
Vendor ID	131 (0 x 0083)

Device ID*2	PFUW760-L1□-□□: 667 (0 x 029B)
	PFUW760-L2□-□□: 668 (0 x 029C)
	PFUW760-L3□-□□: 669 (0 x 029D)
	PFUW760-L4□-□□: 670 (0 x 029E)
	PFUW711-L1□-□□: 671 (0 x 029F)
	PFUW711-L2□-□□: 672 (0 x 02A0)
PFUW711-L3□-□□: 673 (0 x 02A1)	
PFUW711-L4□-□□: 674 (0 x 02A2)	

*1 The configuration file can be downloaded from the SMC website:
<https://www.smc.eu>

*2 The device ID differs according to each product type.

Flow Range

Model	Flow range [l/min]						
	-5	-3	0	60	84	100	140
PFUW760		-3 l/min	0 l/min	60 l/min	84 l/min		
		-3 l/min			84 l/min		
PFUW711	-5 l/min		0 l/min			100 l/min	140 l/min
	-5 l/min						140 l/min

Rated flow range
 Set point range
 Display range

Flow Rate / Analogue Output

	A	B
Voltage output (1 to 5 V)*1	1 V	5 V
Current output*1	4 mA	20 mA

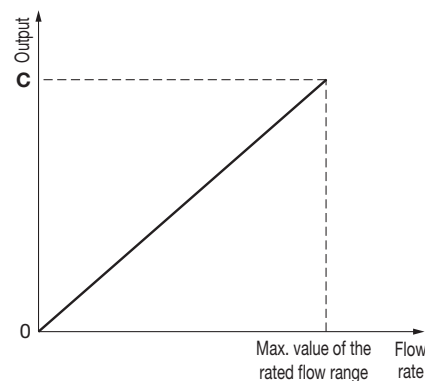
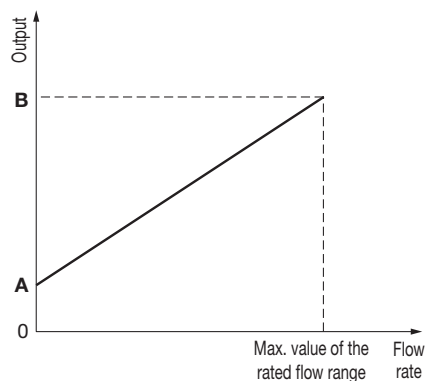
	0 l/min	C
Voltage output (0 to 10 V)*1, *3	0 V	10 V

Model	Min. value of the rated flow range	Max. value of the rated flow range
PFUW760	0 l/min	60 l/min
PFUW711	0 l/min	100 l/min

*1 Analogue output accuracy is within $\pm 3\%$ F.S.

*2 Analogue output is not affected by the zero-cut function settings.

*3 The analogue output current from the connected equipment should be $20\ \mu\text{A}$ or less when selecting 0 to 10 V. When $20\ \mu\text{A}$ or more current flows, it is possible that the accuracy is not satisfied at less than or equal to 0.5 V.

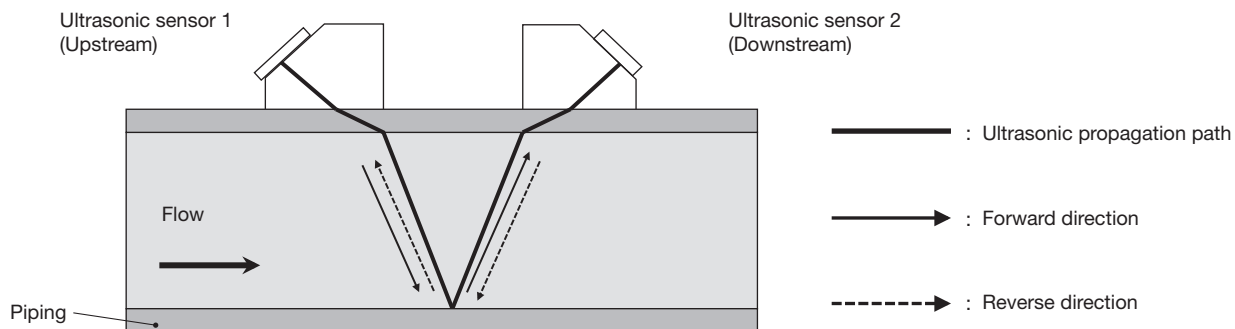


Flow Rate Measurement Method

Ultrasonic propagation time difference method

When fluid flows, a difference in signal propagation time is created in the forward and reverse directions. Basically, the ultrasonic propagation time in the forward direction is shorter, and the propagation time in the reverse direction is longer.

The ultrasonic propagation time difference method measures this difference in propagation time, and the flow rate is calculated from the flow velocity determined from the time difference and the cross-sectional area of the channel.

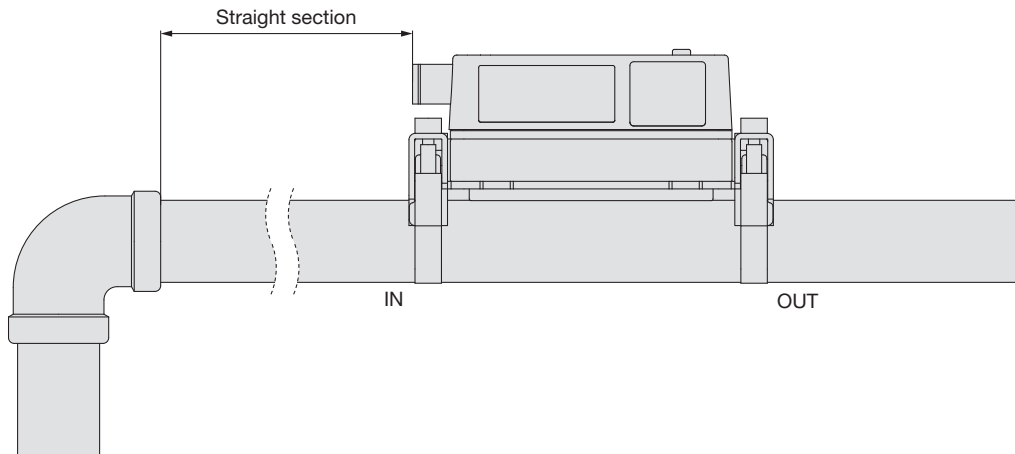


Piping Characteristics (Reference Data)

If it is allowable for the display accuracy to be within $\pm 5\%$ F.S., a straight section is not required.

* These are the results using our equipment. Under different conditions, the results may vary.

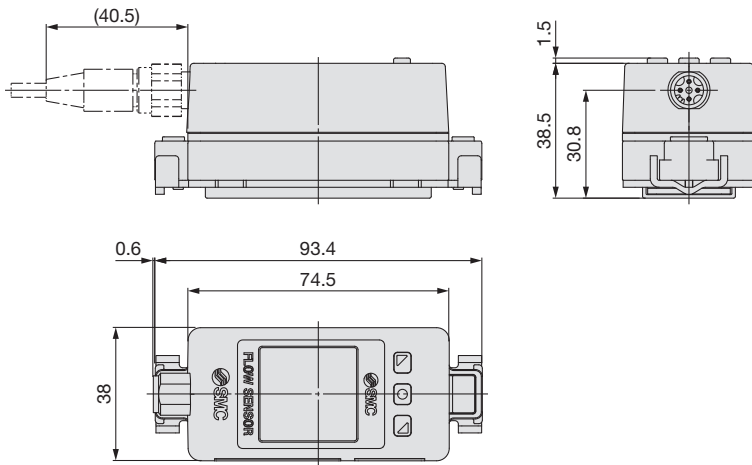
* The "straight section" refers to a section of piping without any bends or rapid changes in the cross sectional area.



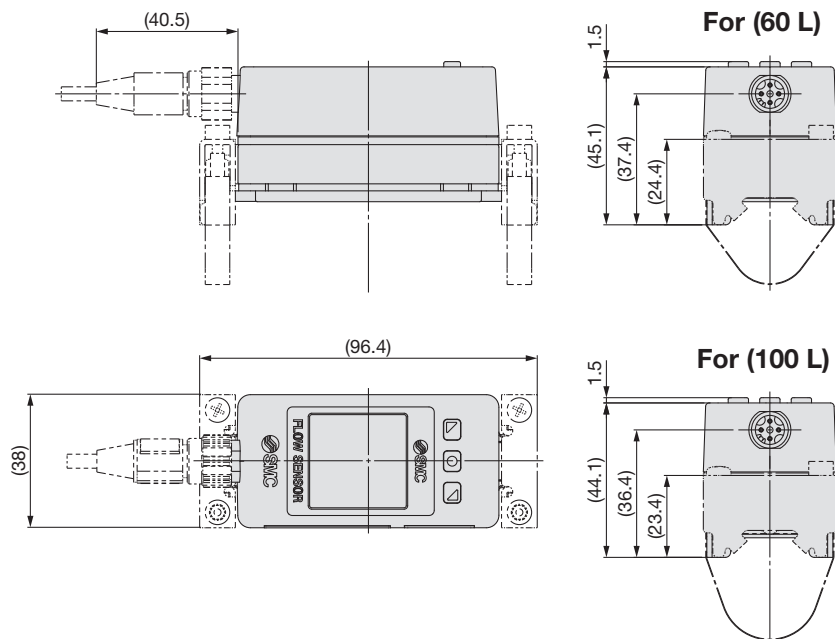
PFUW Series

Dimensions

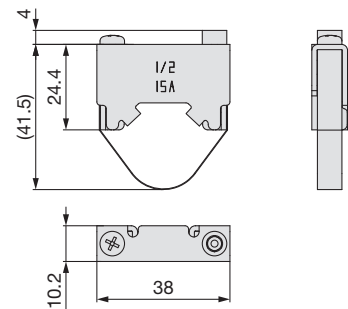
Detection unit dimensions



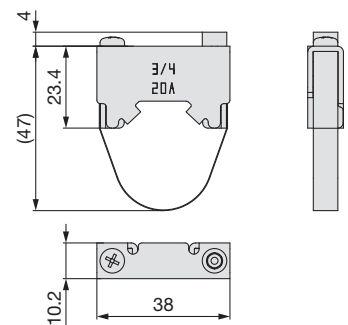
Dimensions with mounting brackets included



Clamp assembly (ZS-57-60LR)



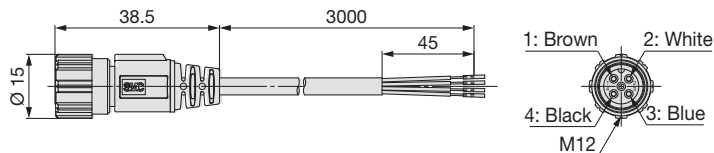
Clamp assembly (ZS-57-11LR)



Dimensions

ZS-37-A

Lead wire with M12 connector



Pin no.	Pin name	Wire colour
1	DC(+)	Brown
2	OUT2	White
3	DC(-)	Blue
4	OUT1	Black

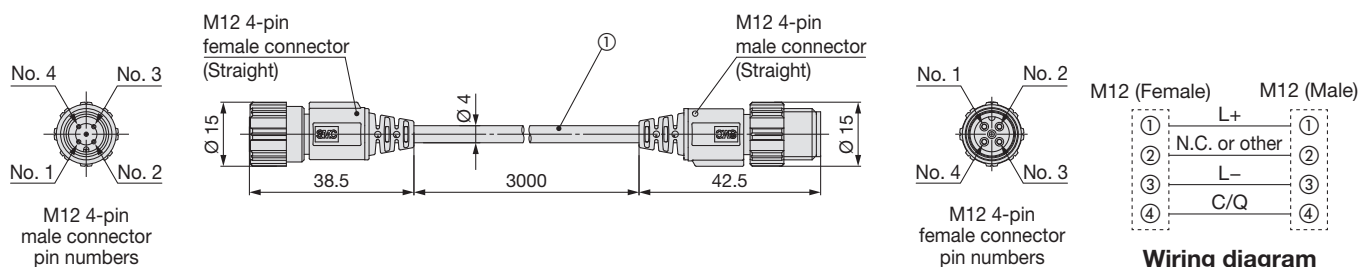
* 4-wire type lead wire with M12 connector used for the PFUW series

Cable Specifications

Conductor	Nominal cross section	AWG23
Insulator	O.D.	Approx. 1.1 mm
	Colour	Brown, Blue, Black, White
Sheath	Finished O.D.	Ø 4

ZS-49-A




Lead wire with M12-M12 connector



* For wiring, refer to the "Operation Manual" on the SMC website: <https://www.smc.eu>

Safety Instructions

These safety instructions are intended to prevent hazardous situations and/or equipment damage. These instructions indicate the level of potential hazard with the labels of “Caution,” “Warning” or “Danger.” They are all important notes for safety and must be followed in addition to International Standards (ISO/IEC)¹⁾, and other safety regulations.

-  **Danger:** **Danger** indicates a hazard with a high level of risk which, if not avoided, will result in death or serious injury.
-  **Warning:** **Warning** indicates a hazard with a medium level of risk which, if not avoided, could result in death or serious injury.
-  **Caution:** **Caution** indicates a hazard with a low level of risk which, if not avoided, could result in minor or moderate injury.

- 1) ISO 4414: Pneumatic fluid power – General rules and safety requirements for systems and their components.
ISO 4413: Hydraulic fluid power – General rules and safety requirements for systems and their components.
IEC 60204-1: Safety of machinery – Electrical equipment of machines. (Part 1: General requirements)
ISO 10218-1: Robots and robotic devices - Safety requirements for industrial robots - Part 1: Robots.
etc.

Warning

1. The compatibility of the product is the responsibility of the person who designs the equipment or decides its specifications.

Since the product specified here is used under various operating conditions, its compatibility with specific equipment must be decided by the person who designs the equipment or decides its specifications based on necessary analysis and test results. The expected performance and safety assurance of the equipment will be the responsibility of the person who has determined its compatibility with the product. This person should also continuously review all specifications of the product referring to its latest catalogue information, with a view to giving due consideration to any possibility of equipment failure when configuring the equipment.

2. Only personnel with appropriate training should operate machinery and equipment.

The product specified here may become unsafe if handled incorrectly. The assembly, operation and maintenance of machines or equipment including our products must be performed by an operator who is appropriately trained and experienced.

3. Do not service or attempt to remove product and machinery/equipment until safety is confirmed.

1. The inspection and maintenance of machinery/equipment should only be performed after measures to prevent falling or runaway of the driven objects have been confirmed.
2. When the product is to be removed, confirm that the safety measures as mentioned above are implemented and the power from any appropriate source is cut, and read and understand the specific product precautions of all relevant products carefully.
3. Before machinery/equipment is restarted, take measures to prevent unexpected operation and malfunction.

4. Our products cannot be used beyond their specifications. Our products are not developed, designed, and manufactured to be used under the following conditions or environments.

Use under such conditions or environments is not covered.

1. Conditions and environments outside of the given specifications, or use outdoors or in a place exposed to direct sunlight.
2. Use for nuclear power, railways, aviation, space equipment, ships, vehicles, military application, equipment affecting human life, body, and property, fuel equipment, entertainment equipment, emergency shut-off circuits, press clutches, brake circuits, safety equipment, etc., and use for applications that do not conform to standard specifications such as catalogues and operation manuals.
3. Use for interlock circuits, except for use with double interlock such as installing a mechanical protection function in case of failure. Please periodically inspect the product to confirm that the product is operating properly.

Caution

We develop, design, and manufacture our products to be used for automatic control equipment, and provide them for peaceful use in manufacturing industries.

Use in non-manufacturing industries is not covered.

Products we manufacture and sell cannot be used for the purpose of transactions or certification specified in the Measurement Act.

The new Measurement Act prohibits use of any unit other than SI units in Japan.

Limited warranty and Disclaimer/Compliance Requirements

The product used is subject to the following “Limited warranty and Disclaimer” and “Compliance Requirements”. Read and accept them before using the product.

Limited warranty and Disclaimer

1. The warranty period of the product is 1 year in service or 1.5 years after the product is delivered, whichever is first.²⁾ Also, the product may have specified durability, running distance or replacement parts. Please consult your nearest sales branch.
 2. For any failure or damage reported within the warranty period which is clearly our responsibility, a replacement product or necessary parts will be provided. This limited warranty applies only to our product independently, and not to any other damage incurred due to the failure of the product.
 3. Prior to using SMC products, please read and understand the warranty terms and disclaimers noted in the specified catalogue for the particular products.
- 2) Vacuum pads are excluded from this 1 year warranty.
A vacuum pad is a consumable part, so it is warranted for a year after it is delivered. Also, even within the warranty period, the wear of a product due to the use of the vacuum pad or failure due to the deterioration of rubber material are not covered by the limited warranty.

Compliance Requirements

1. The use of SMC products with production equipment for the manufacture of weapons of mass destruction (WMD) or any other weapon is strictly prohibited.
2. The exports of SMC products or technology from one country to another are governed by the relevant security laws and regulations of the countries involved in the transaction. Prior to the shipment of a SMC product to another country, assure that all local rules governing that export are known and followed.

Safety Instructions

Be sure to read “Handling Precautions for SMC Products” (M-E03-3) before using.

SMC Corporation (Europe)

Austria	+43 (0)2262622800	www.smc.at	office@smc.at
Belgium	+32 (0)33551464	www.smc.be	info@smc.be
Bulgaria	+359 (0)2807670	www.smc.bg	office@smc.bg
Croatia	+385 (0)13707288	www.smc.hr	office@smc.hr
Czech Republic	+420 541424611	www.smc.cz	office@smc.cz
Denmark	+45 70252900	www.smc.dk.com	smc@smcdk.com
Estonia	+372 651 0370	www.smcee.ee	info@smcee.ee
Finland	+358 207513513	www.smc.fi	smcfi@smc.fi
France	+33 (0)164761000	www.smc-france.fr	supportclient@smc-france.fr
Germany	+49 (0)61034020	www.smc.de	info@smc.de
Greece	+30 210 2717265	www.smchellas.gr	sales@smchellas.gr
Hungary	+36 23513000	www.smc.hu	office@smc.hu
Ireland	+353 (0)14039000	www.smcautomation.ie	sales@smcautomation.ie
Italy	+39 03990691	www.smcitalia.it	mailbox@smcitalia.it
Latvia	+371 67817700	www.smc.lv	info@smc.lv

Lithuania	+370 5 2308118	www.smclt.lt	info@smclt.lt
Netherlands	+31 (0)205318888	www.smc.nl	info@smc.nl
Norway	+47 67129020	www.smc-norge.no	post@smc-norge.no
Poland	+48 222119600	www.smc.pl	sales@smc.pl
Portugal	+351 214724500	www.smc.eu	apoioclientept@smc.smces.es
Romania	+40 213205111	www.smcromania.ro	smcromania@smcromania.ro
Russia	+7 (812)3036600	www.smc.eu	sales@smcru.com
Slovakia	+421 (0)413213212	www.smc.sk	office@smc.sk
Slovenia	+386 (0)73885412	www.smc.si	office@smc.si
Spain	+34 945184100	www.smc.eu	post@smc.smces.es
Sweden	+46 (0)86031240	www.smc.nu	smc@smc.nu
Switzerland	+41 (0)523963131	www.smc.ch	helpcenter.ch@smc.com
Turkey	+90 212 489 0 440	www.smcturkey.com.tr	info@smcturkey.com.tr
UK	+44 (0)845 121 5122	www.smc.uk	sales@smc.uk

South Africa +27 10 900 1233 www.smcza.co.za zasales@smcza.co.za