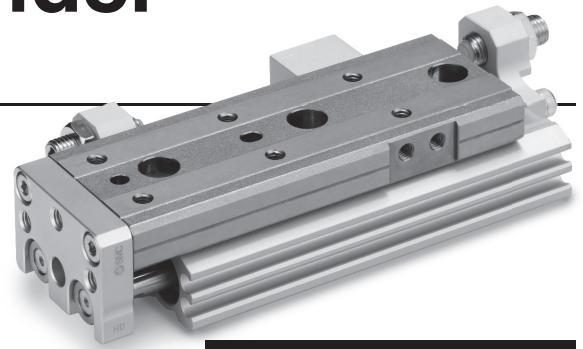


High Durability Series



Dust Resistant Cylinder

∅ 6, ∅ 8, ∅ 12, ∅ 16, ∅ 20, ∅ 25



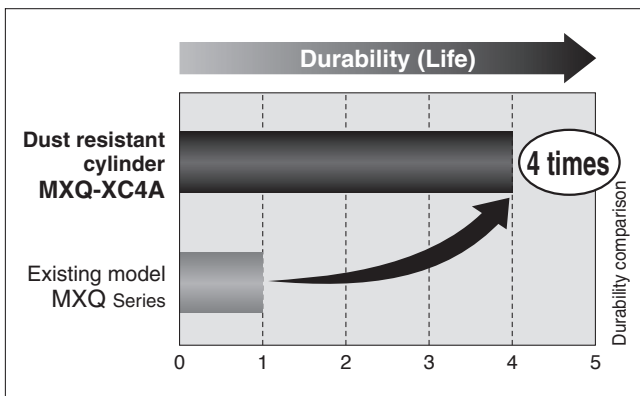
High Durability Series

High Durability Series is the series name for the "special specification" that offers superior durability and environmental resistance compared to standard products.

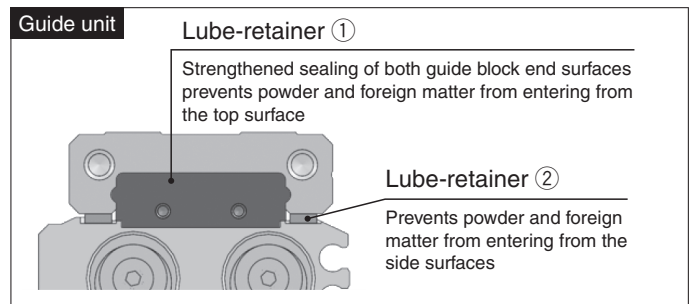
Compatible with environments where powder particles of 20 to 50 μm in diameter, such as ceramic powder, toner powder, paper powder, metal powder (excluding welding spatter), etc., are present

4 times more durable than the standard model

Comparison with the standard model



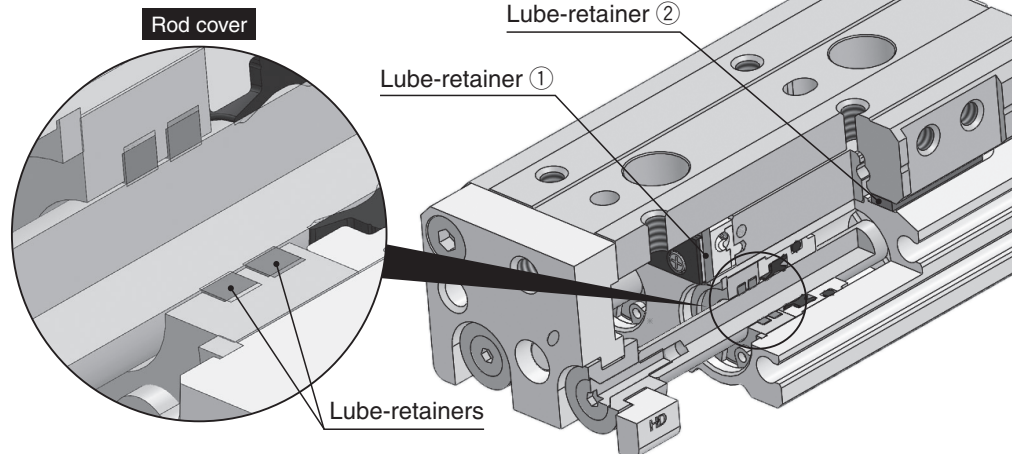
Lube-retainers are installed on the guide unit and rod cover. This prevents the entry of dust and foreign matter.



* The durability test was conducted in accordance with SMC test conditions.

Dimensions and workpiece mounting dimensions are interchangeable with the standard product.

* Refer to the precautions on page 2 for measures to prevent dust from entering the product when mounting a workpiece and for the max. screw-in depth of the end plate. For further details, refer to the catalogue on www.smc.eu.



Variations

Type	Bore size [mm]	Standard stroke [mm]								Adjuster option				Made to Order			
		10	20	30	40	50	75	100	125	150	Rubber stopper		Metal stopper				
Standard MXQ□-XC4A Symmetric MXQ□L-XC4A	6	●	●	●	●	●					●	●	●	●	●	●	· Anti-corrosive guide unit (-X42) · Long adjustment bolt (10 mm longer adjustment range) (-X11) · Long adjustment bolt (20 mm longer adjustment range) (-X12)
	8	●	●	●	●	●	●				●	●	●	●	●	●	
	12	●	●	●	●	●	●	●			●	●	●	●	●	●	
	16	●	●	●	●	●	●	●	●		●	●	●	●	●	●	
	20	●	●	●	●	●	●	●	●	●	●	●	●	●	●	●	
	25	●	●	●	●	●	●	●	●	●	●	●	●	●	●	●	

MXQ-XC4A



22-EU785-UK

High Durability Series

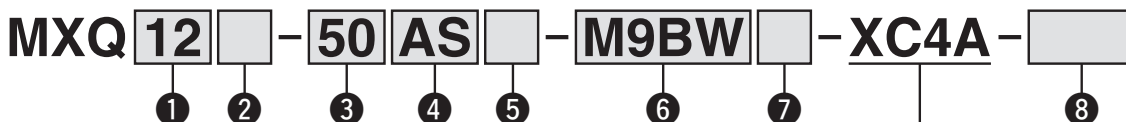
Dust Resistant Cylinder

MXQ-XC4A

∅ 6, ∅ 8, ∅ 12, ∅ 16, ∅ 20, ∅ 25

RoHS

How to Order



□ Dust resistant cylinder specifications

1 Bore size/3 Stroke [mm]

Bore size		Stroke
6	6 mm	10, 20, 30, 40, 50
8	8 mm	10, 20, 30, 40, 50, 75
12	12 mm	10, 20, 30, 40, 50, 75, 100
16	16 mm	10, 20, 30, 40, 50, 75, 100, 125
20	20 mm	10, 20, 30, 40, 50, 75, 100, 125, 150
25	25 mm	10, 20, 30, 40, 50, 75, 100, 125, 150

2 Symmetric type

—	Standard type
L	Symmetric type

4 Adjuster options

Refer to **Table 1**

—	Without adjuster
AS	Extension end rubber stopper
AT	Retraction end rubber stopper
A	Rubber stopper on both ends
CS	Extension end metal stopper
CT	Retraction end metal stopper
C	Metal stopper on both ends
ASCT	Extension end rubber stopper + Retraction end metal stopper
CSAT	Extension end metal stopper + Retraction end rubber stopper

5 Functional option

Refer to **Table 1**

—	Standard type
P	Axial piping type

6 Auto switch

—	Without auto switch (Built-in magnet)
---	---------------------------------------

* For applicable auto switch models, refer to the table below.

7 Number of auto switches

—	2
S	1
n	n

8 Made to order Refer to **Table 1**

—	None
-X11	Long adjustment bolt (10 mm longer adjustment range)
-X12	Long adjustment bolt (20 mm longer adjustment range)
-X42	Anti-corrosive guide unit
-X42A	Anti-corrosive guide unit + Long adjustment bolt (10 mm longer adjustment range)
-X42B	Anti-corrosive guide unit + Long adjustment bolt (20 mm longer adjustment range)

* The "-X12" and "-X42B" are not available for ∅ 6.

Table 1 Adjuster options/Functional option/Made-to-order combinations

5 Functional option	—						P					
	8 Made to order	X11	X12	X42	X42A	X42B	—	X11	X12	X42	X42A	X42B
6 Adjuster option type	—	○	—	○	—	○	○	—	○	○	—	○
	AS	○	○	○	○	○	○	○	○	○	○	○
	AT	○	○	○	○	○	○	○	○	○	○	○
	A	○	○	○	○	○	○	○	○	○	○	○
	CS	○	○	○	○	○	○	○	○	○	○	○
	CT	○	○	○	○	○	○	○	○	○	○	○
	C	○	○	○	○	○	○	○	○	○	○	○
	ASCT	○	○	○	○	○	○	○	○	○	○	○
	CSAT	○	○	○	○	○	○	○	○	○	○	○

* The "-X12" and "-X42B" are not available for ∅ 6.

Applicable Auto Switches/Refer to the catalogue on www.smc.eu for further information on auto switches.

Type	Special function	Electrical entry	Indicator light	Wiring (Output)	Load voltage		Auto switch model		Lead wire length [m]				Pre-wired connector	Applicable load		
					DC	AC	Perpendicular	In-line	0.5 (—)	1 (M)	3 (L)	5 (Z)				
Solid state switch	—	Grommet	Yes	3-wire (NPN)	24 V	5 V, 12 V	—	M9NV	M9N	●	●	●	○	○	IC circuit	Relay, PLC
				3-wire (PNP)				M9PV	M9P	●	●	●	○	○		
				2-wire				M9BV	M9B	●	●	●	○	○		
				3-wire (NPN)				M9NVV	M9NW	●	●	●	○	○		
				3-wire (PNP)				M9PVV	M9PW	●	●	●	○	○		
				2-wire				M9BVV	M9BW	●	●	●	○	○		
	Diagnostic indication (2-colour indicator)	Grommet	Yes	3-wire (NPN)	24 V	5 V, 12 V	—	M9NAV*1	M9NA*1	○	○	●	○	○	IC circuit	Relay, PLC
				3-wire (PNP)				M9PAV*1	M9PA*1	○	○	●	○	○		
				2-wire				M9BAV*1	M9BA*1	○	○	●	○	○		
Water resistant (2-colour indicator)	Grommet	Yes	3-wire (NPN)	24 V	5 V, 12 V	—	M9NAV*1	M9NA*1	○	○	●	○	○	IC circuit	Relay, PLC	
			3-wire (PNP)				M9PAV*1	M9PA*1	○	○	●	○	○			
Reed switch	—	Grommet	No	3-wire (NPN equivalent)	24 V	5 V	—	A96V	A96	●	—	●	—	—	IC circuit	—
				2-wire				100 V	12 V	100 V or less	A93V*2	A93	●	●		
								A90V	A90	●	—	●	—	—	IC circuit	—

*1 Water-resistant type auto switches can be mounted on the above models, but SMC cannot guarantee water resistance.

*2 The 1 m lead wire is only applicable to the D-A93.

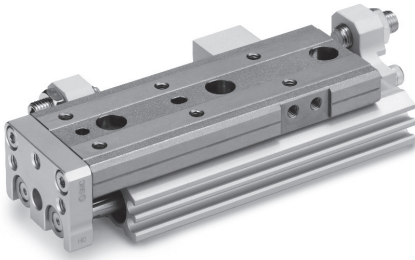
* Lead wire length symbols: 0.5 m — (Example) M9NW 3 m L (Example) M9NWL * Solid state auto switches marked with a "○" are produced upon receipt of order.
1 m M (Example) M9NWM 5 m Z (Example) M9NWZ

* Since there are applicable auto switches other than those listed above, refer to the catalogue on www.smc.eu for details.

* For details on auto switches with pre-wired connectors, refer to the catalogue on www.smc.eu.

* Auto switches are shipped together with the product but do not come assembled.

Specifications



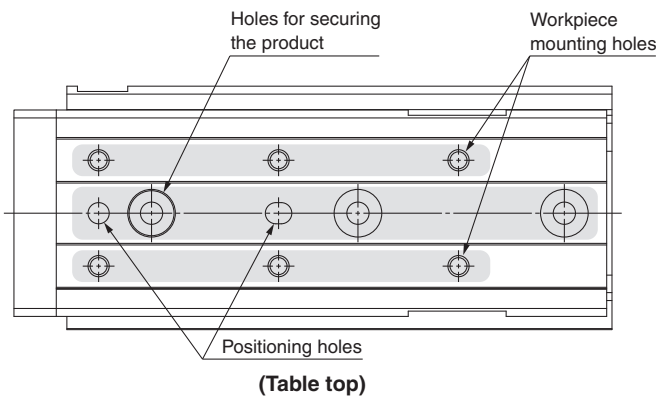
Bore size [mm]	6	8	12	16	20	25
Piping port size	M5 x 0.8				Rc1/8	
Fluid	Air					
Action	Double acting					
Operating pressure	0.3 to 0.7 MPa			0.15 to 0.7 MPa		
Proof pressure	1.05 MPa					
Ambient and fluid temperatures	-10 to 60 °C					
Operating speed range (Average operating speed)*1	50 to 200 mm/s					
Applicable powder particle size	20 to 50 μm					
Lubrication	Non-lube					
Stroke length tolerance	+1 0 mm					

*1 Average operating speed: The speed when the stroke is divided by the time it takes to operate the stroke from start to end

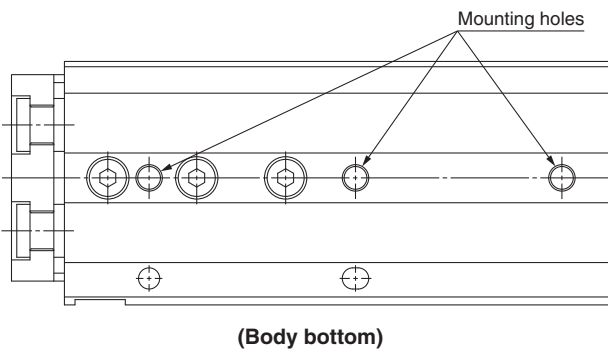
Operating Precautions

⚠ Caution

1. When mounting the body or a workpiece, be sure to seal all holes on the table with tape, bolts, etc. If there are any unsealed holes, dust may enter the guide unit, resulting in a reduced service life.

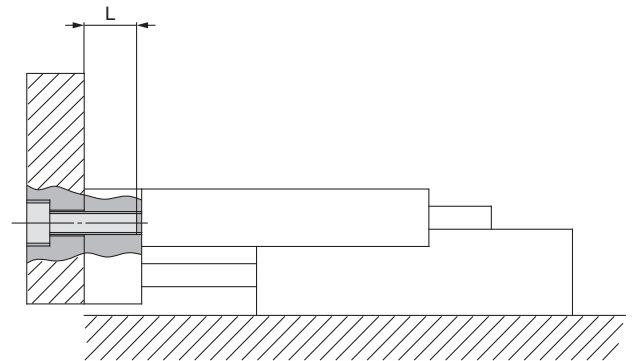


2. When mounting the body, be sure to use all mounting holes on the bottom of the body so that they are not exposed. If there are any unused holes, dust may enter the guide unit, resulting in a reduced service life.



3. The workpiece mounting position of the end plate is the same as that of the standard product, but note that the max. screw-in depth ("L" dimension) will change.

Front mounting



Model	Bolt	Max. tightening torque [N·m]	Max. screw-in depth [Lmm]	Ref.) Max. screw-in depth of standard product [Lmm]
MXQ 6(L)	M3 x 0.5	0.9	3.5	4.5
MXQ 8(L)	M4 x 0.7	2.1	4.5	5.5
MXQ12(L)	M5 x 0.8	4.4	6.5	7.5
MXQ16(L)	M6 x 1	7.4	8.5	9.5
MXQ20(L)	M6 x 1	7.4	11.5	12.5
MXQ25(L)	M8 x 1.25	18.0	13.5	14.5



SMC Corporation (Europe)

Austria	+43 (0)2262622800	www.smc.at	office@smc.at
Belgium	+32 (0)33551464	www.smc.be	info@smc.be
Bulgaria	+359 (0)2807670	www.smc.bg	office@smc.bg
Croatia	+385 (0)13707288	www.smc.hr	office@smc.hr
Czech Republic	+420 541424611	www.smc.cz	office@smc.cz
Denmark	+45 70252900	www.smcdk.com	smc@smcdk.com
Estonia	+372 6510370	www.smc pneumatics.ee	info@smcee.ee
Finland	+358 207513513	www.smc.fi	smc fi@smc.fi
France	+33 (0)164761000	www.smc-france.fr	info@smc-france.fr
Germany	+49 (0)61034020	www.smc.de	info@smc.de
Greece	+30 210 2717265	www.smchellas.gr	sales@smchellas.gr
Hungary	+36 23513000	www.smc.hu	office@smc.hu
Ireland	+353 (0)14039000	www.smc automation.ie	sales@smc automation.ie
Italy	+39 03990691	www.smcitalia.it	mailbox@smcitalia.it
Latvia	+371 67817700	www.smc.lv	info@smc.lv

Lithuania	+370 5 2308118	www.smc.lt	info@smc.lt
Netherlands	+31 (0)205318888	www.smc.nl	info@smc.nl
Norway	+47 67129020	www.smc-norge.no	post@smc-norge.no
Poland	+48 222119600	www.smc.pl	office@smc.pl
Portugal	+351 214724500	www.smc.eu	apoioclientept@smc.smces.es
Romania	+40 213205111	www.smcromania.ro	smcromania@smcromania.ro
Russia	+7 8123036600	www.smc.eu	sales@smcru.com
Slovakia	+421 (0)413213212	www.smc.sk	office@smc.sk
Slovenia	+386 (0)73885412	www.smc.si	office@smc.si
Spain	+34 945184100	www.smc.eu	post@smc.smces.es
Sweden	+46 (0)86031200	www.smc.nu	smc@smc.nu
Switzerland	+41 (0)523963131	www.smc.ch	helpcenter@smc.ch
Turkey	+90 212 489 0 440	www.smc pneumatik.com.tr	info@smc pneumatik.com.tr
UK	+44 (0)845 121 5122	www.smc.uk	sales@smc.uk