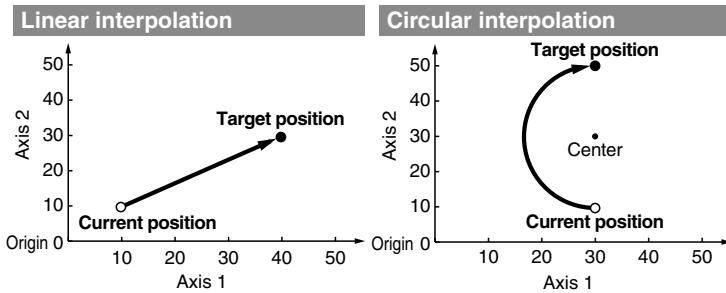


Multi-Axis Step Motor Controller



- Speed tuning control ^{*1}
(3 Axes: JXC92 4 Axes: JXC73/83/93)
- Linear/circular interpolation

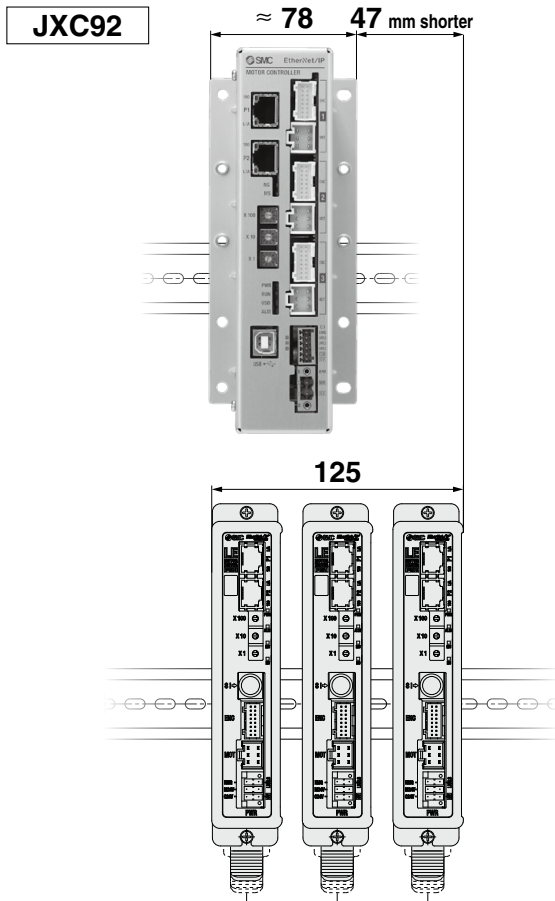


- Positioning/pushing operation
- Step data input
(Max. 2048 points)
- Space saving, reduced wiring
- Absolute/relative position coordinate instructions

^{*1} This controls the speed of the slave axis when the speed of the main axis drops due to the effects of an external force and when a speed difference with the slave axis occurs. This control is not for synchronizing the position of the main axis and slave axis.

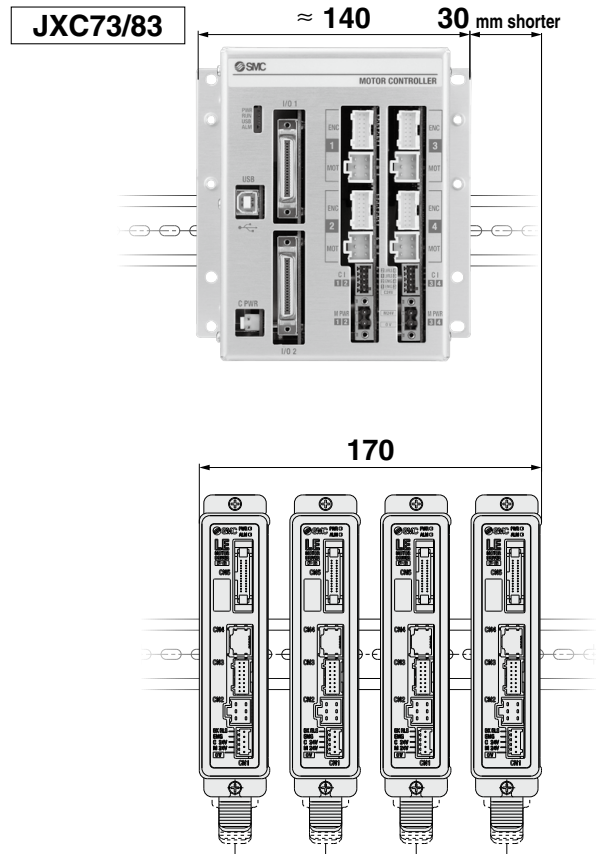
For 3 Axes JXC92 Series p. 3

- EtherNet/IP™ Type
- Width: Approx. 38% reduction



For 4 Axes JXC73/83/93 Series p. 4, 5

- Parallel I/O/
EtherNet/IP™ Type
- Width: Approx. 18% reduction



JXC73/83/92/93 Series

* For LE□, size 25 or larger



JXC73/83/92/93 Series

Step Data Input: Max. 2048 points



For 3 Axes 3-axis operation can be set collectively in one step.

Step	Axis	Movement mode	Speed	Position	Acceleration	Deceleration	Pushing force	Trigger LV	Pushing speed	Moving force	Area 1	Area 2	In position	Comments
			mm/s	mm	mm/s ²	mm/s ²					mm	mm	mm	
0	Axis 1	ABS	500	100.00	3000	3000	0	85.0	50	100.0	10.0	30.0	0.5	
	Axis 2	ABS	500	100.00	3000	3000	0	85.0	50	100.0	10.0	30.0	0.5	
	Axis 3	ABS	500	100.00	3000	3000	0	85.0	50	100.0	10.0	30.0	0.5	
1	Axis 1	INC	500	200.00	3000	3000	0	85.0	50	100.0	0	0	0.5	
	Axis 2	INC	500	200.00	3000	3000	0	85.0	50	100.0	0	0	0.5	
	Axis 3	INC	500	200.00	3000	3000	0	85.0	50	100.0	0	0	0.5	
2046	Axis 1	SYN-I	500	100.00	3000	3000	0	0	0	100.0	0	0	0.5	
	Axis 2	SYN-I	0	0.00	0	0	0	0	0	100.0	0	0	0.5	
	Axis 3	SYN-I	0	0.00	0	0	0	0	0	100.0	0	0	0.5	
2047	Axis 1	CIR-R	500	0.00	3000	3000	0	0	0	100.0	0	0	0.5	
	Axis 2	CIR-R	0	50.00	0	0	0	0	0	100.0	0	0	0.5	
	Axis 3 *1		0	0.00	0	0	0	0	0	100.0	0	0	0.5	
	Axis 4 *1		0	25.00	0	0	0	0	0	100.0	0	0	0.5	

*1 When circular interpolation (CIR-R, CIR-L, CIR-3) is selected in the movement mode, input the X and Y coordinates in the rotation center position or input the X and Y coordinates in the passing position.

Movement mode	Pushing operation	Details
Blank	×	Invalid data (Invalid process)
ABS	○	Moves to the absolute coordinate position based on the origin of the actuator
INC	○	Moves to the relative coordinate position based on the current position
LIN-A	×	Moves to the absolute coordinate position based on the origin of the actuator by linear interpolation
LIN-I	×	Moves to the relative coordinate position based on the current position by linear interpolation
CIR-R*2	×	With Axis 1 assigned to the X-axis and Axis 2 to the Y-axis, it moves in the clockwise direction by circular interpolation. The target position and rotation center position are specified according to the relative coordinates from the current position. The position data is assigned as follows. Axis 1: Target position X Axis 2: Target position Y Axis 3 *1: Rotation center position X Axis 4 *1: Rotation center position Y
CIR-L*2	×	With Axis 1 assigned to the X-axis and Axis 2 to the Y-axis, it moves in the counter-clockwise direction by circular interpolation. The target position and rotation center position are specified according to the relative coordinates from the current position. The position data is assigned as follows. Axis 1: Target position X Axis 2: Target position Y Axis 3 *1: Rotation center position X Axis 4 *1: Rotation center position Y
SYN-I	×	Moves to the relative coordinate position based on the current position by speed tuning control *3
CIR-3*2	×	With Axis 1 assigned to the X-axis and Axis 2 to the Y-axis, it moves based on the three specified points by circular interpolation. The target position and passing position are specified according to the relative coordinates from the current position. The position data is assigned as follows. Axis 1: Target position X Axis 2: Target position Y Axis 3 *1: Passing position X Axis 4 *1: Passing position Y

*2 Performs a circular operation on a plane using Axis 1 and Axis 2

*3 This controls the speed of the slave axis when the speed of the main axis drops due to the effects of an external force and when a speed difference with the slave axis occurs. This control is not for synchronizing the position of the main axis and slave axis.

Multi-Axis Step Motor Controller **JXC73/83/92/93 Series**



For 4 Axes 4-axis operation can be set collectively in one step.

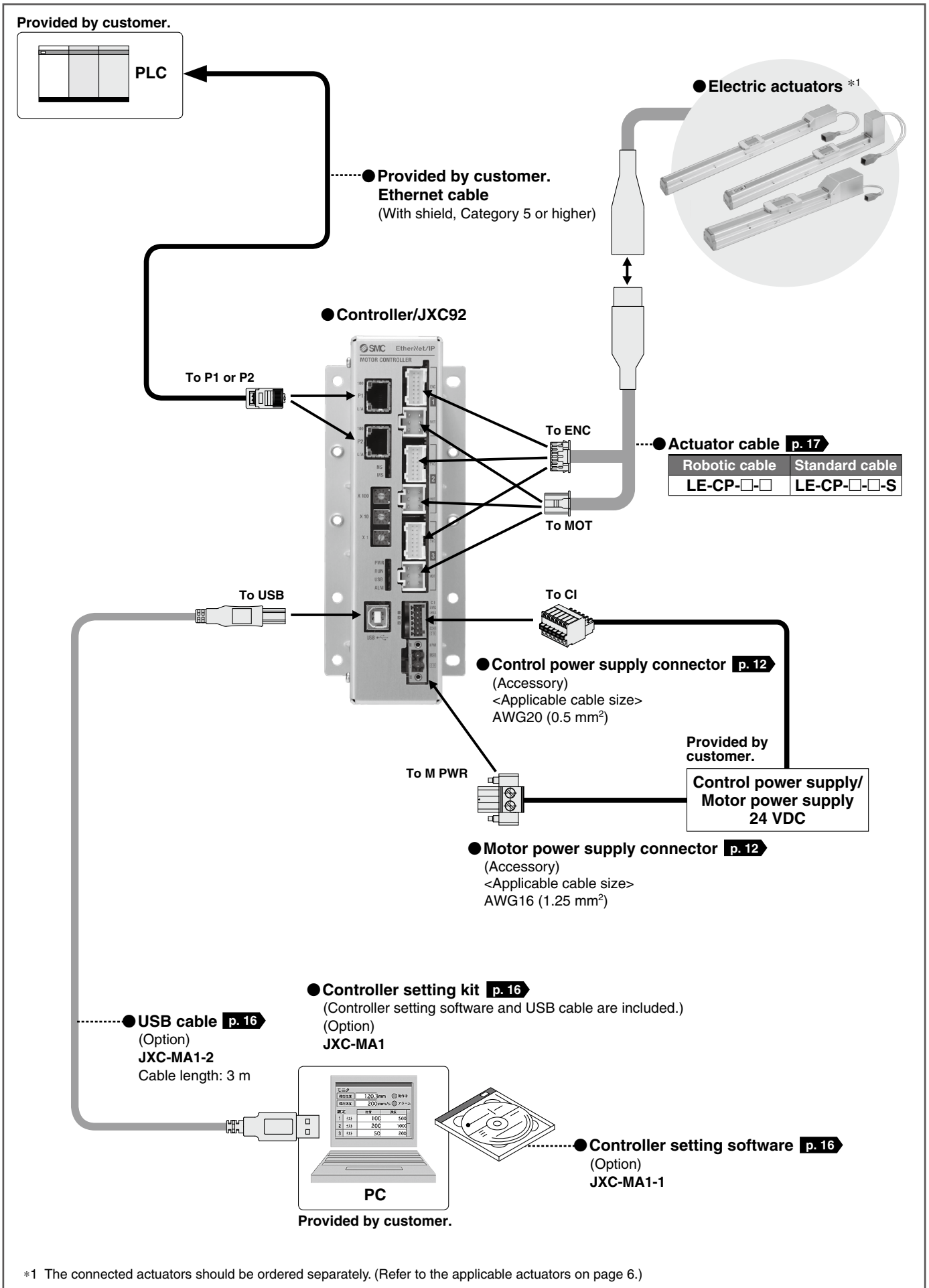
Step	Axis	Movement mode	Speed	Position	Acceleration	Deceleration	Positioning/ Pushing	Area 1	Area 2	In position	Comments
			mm/s	mm	mm/s ²	mm/s ²		mm	mm	mm	
0	Axis 1	ABS	100	200.00	1000	1000	0	6.0	12.0	0.5	
	Axis 2	ABS	50	100.00	1000	1000	0	6.0	12.0	0.5	
	Axis 3	ABS	50	100.00	1000	1000	0	6.0	12.0	0.5	
	Axis 4	ABS	50	100.00	1000	1000	0	6.0	12.0	0.5	
1	Axis 1	INC	500	250.00	1000	1000	1	0	0	20.0	
	Axis 2	INC	500	250.00	1000	1000	1	0	0	20.0	
	Axis 3	INC	500	250.00	1000	1000	1	0	0	20.0	
	Axis 4	INC	500	250.00	1000	1000	1	0	0	20.0	
⋮	⋮	⋮	⋮	⋮	⋮	⋮	⋮	⋮	⋮	⋮	
2046	Axis 4	ABS	200	700	500	500	0	0	0	0.5	
2047	Axis 1	ABS	500	0.00	3000	3000	0	0	0	0.5	
	Axis 2	ABS	500	0.00	3000	3000	0	0	0	0.5	
	Axis 3	ABS	500	0.00	3000	3000	0	0	0	0.5	
	Axis 4	ABS	500	0.00	3000	3000	0	0	0	0.5	

Movement mode	Pushing operation	Details
Blank	×	Invalid data (Invalid process)
ABS	○	Moves to the absolute coordinate position based on the origin of the actuator
INC	○	Moves to the relative coordinate position based on the current position
LIN-A	×	Moves to the absolute coordinate position based on the origin of the actuator by linear interpolation
LIN-I	×	Moves to the relative coordinate position based on the current position by linear interpolation
CIR-R*1	×	With Axis 1 assigned to the X-axis and Axis 2 to the Y-axis, it moves in the clockwise direction by circular interpolation. The target position and rotation center position are specified according to the relative coordinates from the current position. The position data is assigned as follows. Axis 1: Target position X Axis 2: Target position Y Axis 3: Rotation center position X Axis 4: Rotation center position Y
CIR-L*1	×	With Axis 1 assigned to the X-axis and Axis 2 to the Y-axis, it moves in the counter-clockwise direction by circular interpolation. The target position and rotation center position are specified according to the relative coordinates from the current position. The position data is assigned as follows. Axis 1: Target position X Axis 2: Target position Y Axis 3: Rotation center position X Axis 4: Rotation center position Y
SYN-I	×	Moves to the relative coordinate position based on the current position by speed tuning control *2

*1 Performs a circular operation on a plane using Axis 1 and Axis 2

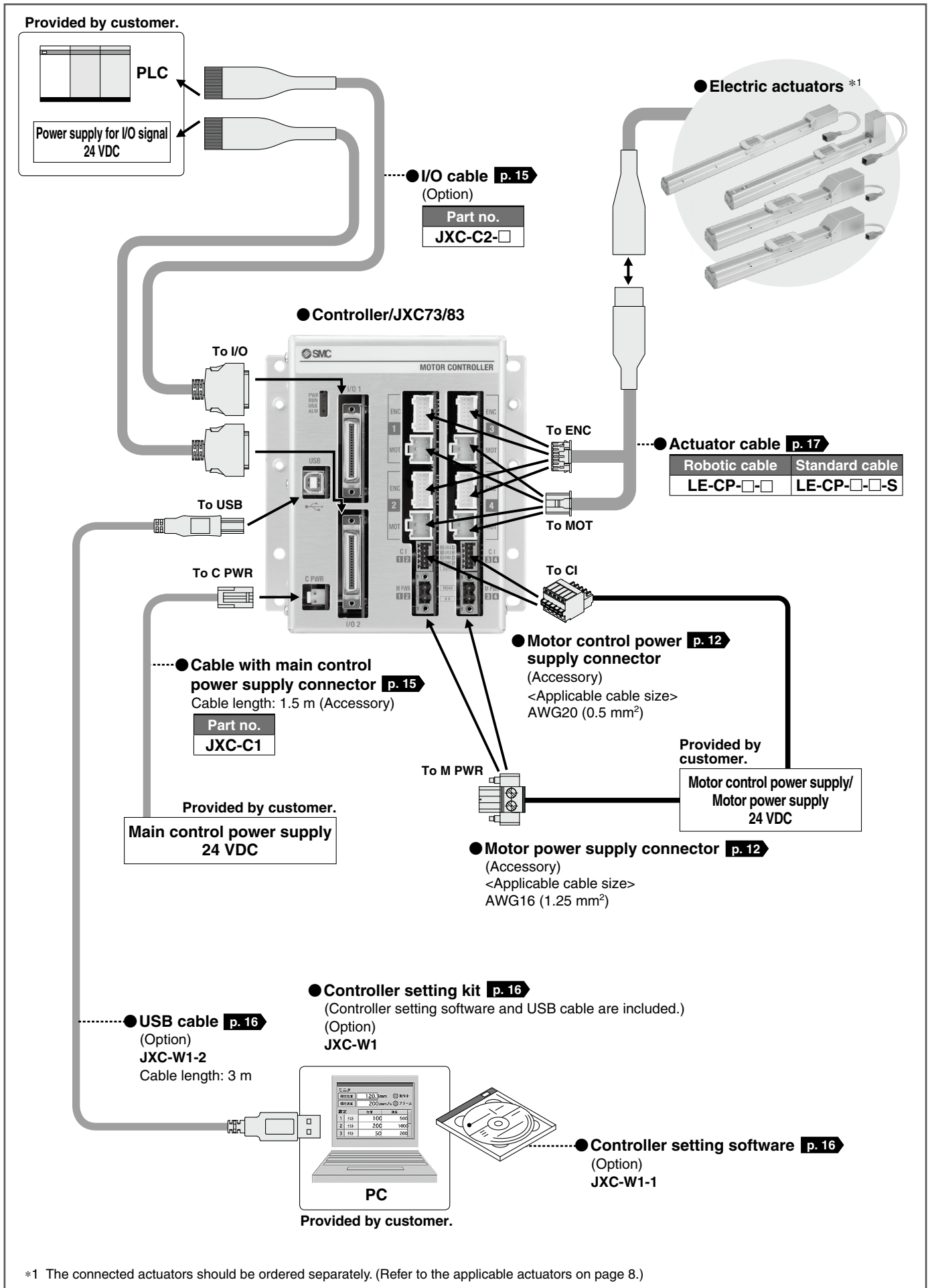
*2 This controls the speed of the slave axis when the speed of the main axis drops due to the effects of an external force and when a speed difference with the slave axis occurs. This control is not for synchronizing the position of the main axis and slave axis.

For 3 Axes System Construction/EtherNet/IP™ Type (JXC92)



*1 The connected actuators should be ordered separately. (Refer to the applicable actuators on page 6.)

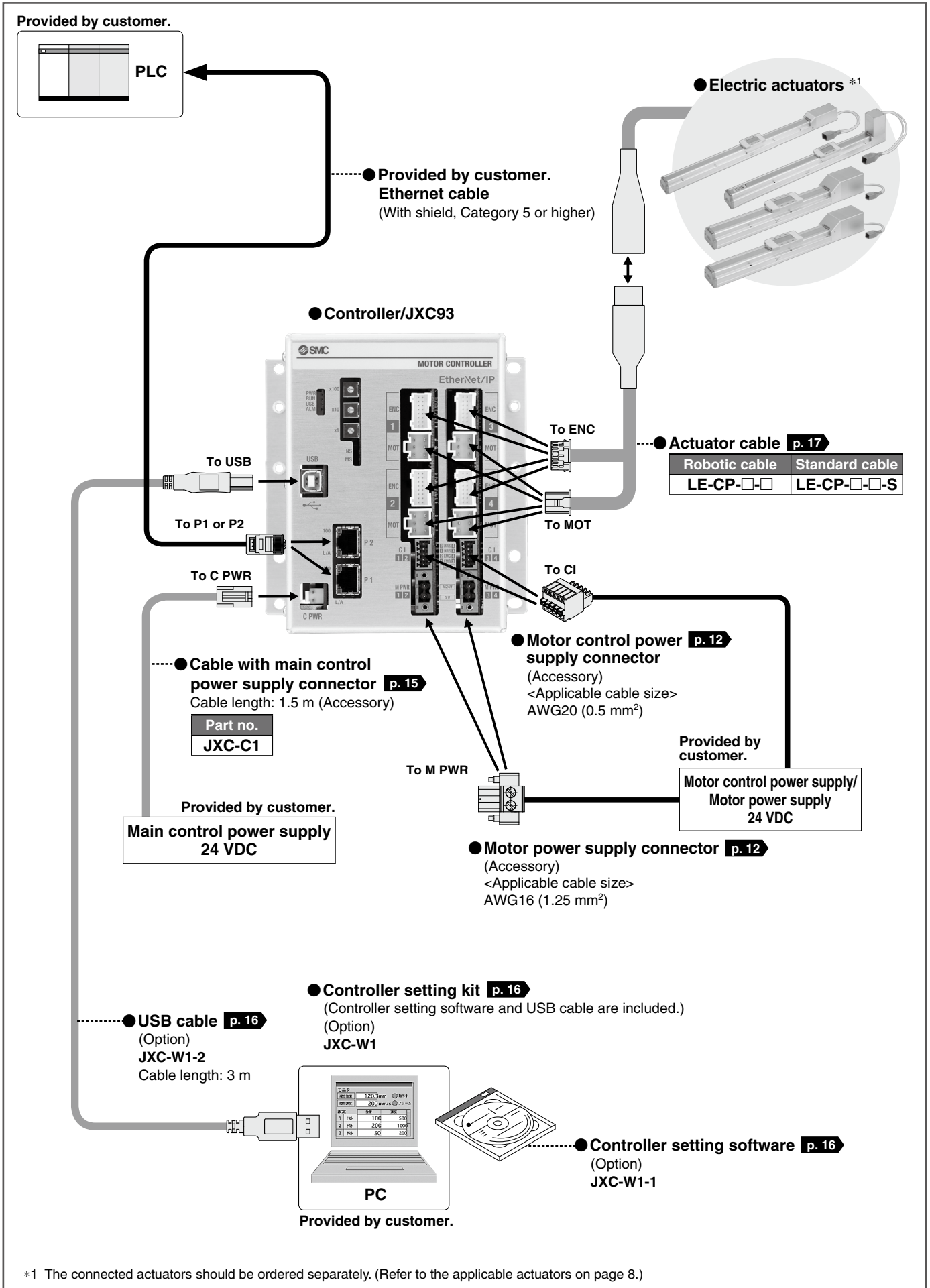
For 4 Axes System Construction/Parallel I/O (JXC73/83)



*1 The connected actuators should be ordered separately. (Refer to the applicable actuators on page 8.)

JXC93 Series

For 4 Axes System Construction/EtherNet/IP™ Type (JXC93)



*1 The connected actuators should be ordered separately. (Refer to the applicable actuators on page 8.)

3-Axis Step Motor Controller (EtherNet/IP™ Type)

JXC92 Series



JXC92

JXC73/83/93

How to Order

■ EtherNet/IP™ Type (JXC92)

Controller



JXC 9 2 7

EtherNet/IP™ type

3-axis type

Mounting

Symbol	Mounting
7	Screw mounting
8	DIN rail

Applicable Actuators

Applicable actuators	
Electric Actuator/Rod LEY Series	Refer to the Web Catalog .
Electric Actuator/Guide Rod LEYG Series	
Electric Actuator/Slider LEF Series	
Electric Slide Table LES/LESH Series	
Electric Rotary Table LER Series	
Electric Actuator/Miniature LEPY/LEPS Series	
Electric Gripper (2-Finger Type, 3-Finger Type) LEH Series	

* Order the actuator separately, including the actuator cable.
(Example: LEFS16B-100B-S1)

* For the "Speed-Work Load" graph of the actuator, refer to the LECPA section on the model selection page of the electric actuators **Web Catalog**.

Specifications

For the setting of functions and operation methods, refer to the operation manual on the SMC website. (Documents/Download --> Instruction Manuals)

EtherNet/IP™ Type (JXC92)

Item	Specifications	
Number of axes	Max. 3 axes	
Compatible motor	Step motor (Servo/24 VDC)	
Compatible encoder	Incremental A/B phase (Encoder resolution: 800 pulse/rotation)	
Power supply *1	Control power supply Power voltage: 24 VDC ±10% Max. current consumption: 500 mA Motor power supply Power voltage: 24 VDC ±10% Max. current consumption: Based on the connected actuator *2	
Communication	Protocol	EtherNet/IP™ *3
	Communication speed	10 Mbps/100 Mbps (automatic negotiation)
	Communication method	Full duplex/Half duplex (automatic negotiation)
	Configuration file	EDS file
	Occupied area	Input 16 bytes/Output 16 bytes
	IP address setting range	Manual setting by switches: From 192.168.1.1 to 254, Via DHCP server: Arbitrary address
	Vendor ID	7 h (SMC Corporation)
	Product type	2 Bh (Generic Device)
Product code	DEh	
Serial communication	USB2.0 (Full Speed 12 Mbps)	
Memory	Flash-ROM	
LED indicator	PWR, RUN, USB, ALM, NS, MS, L/A, 100	
Lock control	Forced-lock release terminal *4	
Cable length	Actuator cable: 20 m or less	
Cooling system	Natural air cooling	
Operating temperature range	0°C to 40°C (No freezing)	
Operating humidity range	90% RH or less (No condensation)	
Storage temperature range	-10°C to 60°C (No freezing)	
Storage humidity range	90% RH or less (No condensation)	
Insulation resistance	Between all external terminals and the case: 50 MΩ (500 VDC)	
Weight	600 g (Screw mounting), 650 g (DIN rail mounting)	

*1 Do not use a power supply with inrush current protection for the motor drive power supply.

*2 Power consumption depends on the actuator connected. Refer to the actuator specifications for further details.

*3 EtherNet/IP™ is a trademark of ODVA.

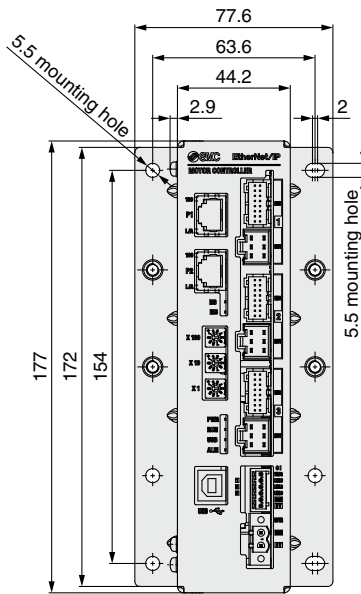
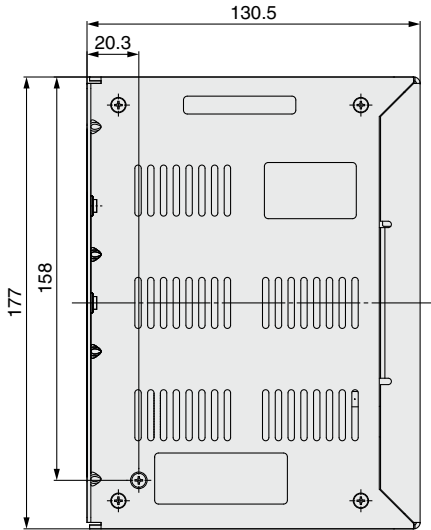
*4 Applicable to non-magnetizing locks

JXC92 Series

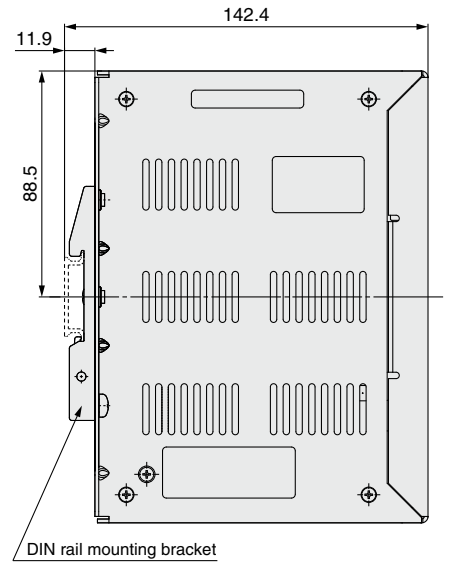
Dimensions

EtherNet/IP™ Type JXC92

Screw mounting

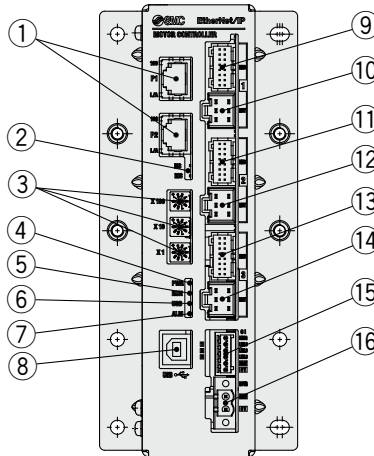


DIN rail mounting



Controller Details

EtherNet/IP™ Type JXC92



No.	Name	Description	Details
①	P1, P2	EtherNet/IP™ communication connector	Connect Ethernet cable.
②	NS, MS	Communication status LED	Displays the status of the EtherNet/IP™ communication
③	X100 X10 X1	IP address setting switches	Switch to set the 4th byte of the IP address by X1, X10 and X100.
④	PWR	Power supply LED (Green)	Power supply ON: Green turns on Power supply OFF: Green turns off
⑤	RUN	Operation LED (Green)	Running in EtherNet/IP™: Green turns on Running via USB communication: Green flashes Stopped: Green turns off
⑥	USB	USB connection LED (Green)	USB connected: Green turns on USB not connected: Green turns off
⑦	ALM	Alarm LED (Red)	With alarm: Red turns on Without alarm: Red turns off
⑧	USB	Serial communication connector	Connect to a PC via the USB cable.
⑨	ENC ①	Encoder connector (16 pins)	Axis 1: Connect the actuator cable.
⑩	MOT ①	Motor power connector (6 pins)	
⑪	ENC ②	Encoder connector (16 pins)	Axis 2: Connect the actuator cable.
⑫	MOT ②	Motor power connector (6 pins)	
⑬	ENC ③	Encoder connector (16 pins)	Axis 3: Connect the actuator cable.
⑭	MOT ③	Motor power connector (6 pins)	
⑮	CI	Control power supply connector *1	Control power supply (+), All axes stop (+), Axis 1 lock release (+), Axis 2 lock release (+), Axis 3 lock release (+), Common (-)
⑯	M PWR	Motor power supply connector *1	Motor power supply (+), Motor power supply (-)

*1 Connectors are included. (Refer to page 12.)

4-Axis Step Motor Controller (Parallel I/O/EtherNet/IP™ Type)

JXC73/83/93 Series



JXC92

JXC73/83/93

How to Order

■ Parallel I/O (JXC73/83)

Controller



JXC **7** **3** **2**

I/O type

Symbol	I/O type
7	NPN
8	PNP

I/O cable, mounting

Symbol	I/O cable	Mounting
1	1.5 m	Screw mounting
2	1.5 m	DIN rail
3	3 m	Screw mounting
4	3 m	DIN rail
5	5 m	Screw mounting
6	5 m	DIN rail
7	None	Screw mounting
8	None	DIN rail

4-axis type

* Two I/O cables are included.

■ EtherNet/IP™ Type (JXC93)

Controller



JXC **9** **3** **7**

EtherNet/IP™ type

Mounting

Symbol	Mounting
7	Screw mounting
8	DIN rail

4-axis type

Applicable Actuators

Applicable actuators	
Electric Actuator/Rod LEY Series	Refer to the Web Catalog.
Electric Actuator/Guide Rod LEYG Series	
Electric Actuator/Slider LEF Series	
Electric Slide Table LES/LESH Series	
Electric Rotary Table LER Series *1	
Electric Actuator/Miniature LEPY/LEPS Series	
Electric Gripper (2-Finger Type, 3-Finger Type) LEH Series	

*1 Except the continuous rotation (360°) specification.

* Order the actuator separately, including the actuator cable.
(Example: LEFS16B-100B-S1)

* For the "Speed-Work Load" graph of the actuator, refer to the LECPA section on the model selection page of the electric actuators Web Catalog.

JXC73/83/93 Series

Specifications

For the setting of functions and operation methods, refer to the operation manual on the SMC website. (Documents/Download --> Instruction Manuals)

Parallel I/O (JXC73/83)

Item	Specifications
Number of axes	Max. 4 axes
Compatible motor	Step motor (Servo/24 VDC)
Compatible encoder	Incremental A/B phase (Encoder resolution: 800 pulse/rotation)
Power supply *1	Main control power supply Power voltage: 24 VDC ±10% Max. current consumption: 300 mA Motor power supply, Motor control power supply (Common) Power voltage: 24 VDC ±10% Max. current consumption: Based on the connected actuator *2
Parallel input	16 inputs (Photo-coupler isolation)
Parallel output	32 outputs (Photo-coupler isolation)
Serial communication	USB2.0 (Full Speed 12 Mbps)
Memory	Flash-ROM/EEPROM
LED indicator	PWR, RUN, USB, ALM
Lock control	Forced-lock release terminal *3
Cable length	I/O cable: 5 m or less, Actuator cable: 20 m or less
Cooling system	Natural air cooling
Operating temperature range	0°C to 40°C (No freezing)
Operating humidity range	90% RH or less (No condensation)
Storage temperature range	-10°C to 60°C (No freezing)
Storage humidity range	90% RH or less (No condensation)
Insulation resistance	Between all external terminals and the case: 50 MΩ (500 VDC)
Weight	1050 g (Screw mounting), 1100 g (DIN rail mounting)

*1 Do not use a power supply with inrush current protection for the motor drive power and motor control power supply.

*2 Power consumption depends on the actuator connected. Refer to the actuator specifications for further details.

*3 Applicable to non-magnetizing locks

For the setting of functions and operation methods, refer to the operation manual on the SMC website. (Documents/Download --> Instruction Manuals)

EtherNet/IP™ Type (JXC93)

Item	Specifications	
Number of axes	Max. 4 axes	
Compatible motor	Step motor (Servo/24 VDC)	
Compatible encoder	Incremental A/B phase (Encoder resolution: 800 pulse/rotation)	
Power supply *1	Main control power supply Power voltage: 24 VDC ±10% Max. current consumption: 350 mA Motor power supply, Motor control power supply (Common) Power voltage: 24 VDC ±10% Max. current consumption: Based on the connected actuator *2	
Communication	Protocol	EtherNet/IP™ *4
	Communication speed	10 Mbps/100 Mbps (automatic negotiation)
	Communication method	Full duplex/Half duplex (automatic negotiation)
	Configuration file	EDS file
	Occupied area	Input 16 bytes/Output 16 bytes
	IP address setting range	Manual setting by switches: From 192.168.1.1 to 254, Via DHCP server: Arbitrary address
	Vendor ID	7 h (SMC Corporation)
	Product type	2 Bh (Generic Device)
	Product code	DCh
Serial communication	USB2.0 (Full Speed 12 Mbps)	
Memory	Flash-ROM/EEPROM	
LED indicator	PWR, RUN, USB, ALM, NS, MS, L/A, 100	
Lock control	Forced-lock release terminal *3	
Cable length	Actuator cable: 20 m or less	
Cooling system	Natural air cooling	
Operating temperature range	0°C to 40°C (No freezing)	
Operating humidity range	90% RH or less (No condensation)	
Storage temperature range	-10°C to 60°C (No freezing)	
Storage humidity range	90% RH or less (No condensation)	
Insulation resistance	Between all external terminals and the case: 50 MΩ (500 VDC)	
Weight	1050 g (Screw mounting), 1100 g (DIN rail mounting)	

*1 Do not use a power supply with inrush current protection for the motor drive power and motor control power supply.

*2 Power consumption depends on the actuator connected. Refer to the actuator specifications for further details.

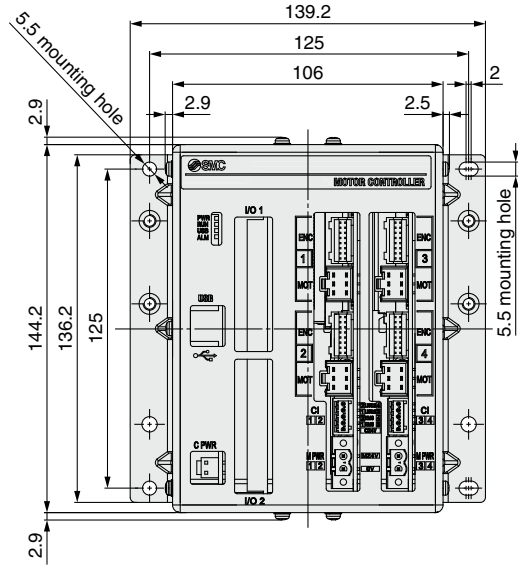
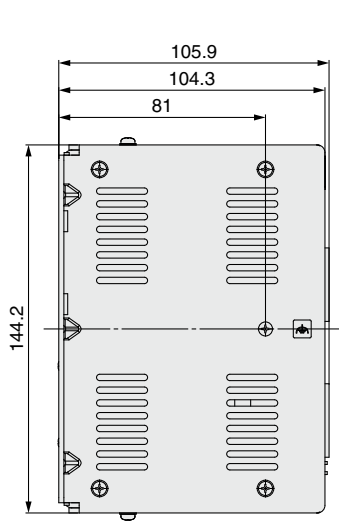
*3 Applicable to non-magnetizing locks

*4 EtherNet/IP™ is a trademark of ODVA.

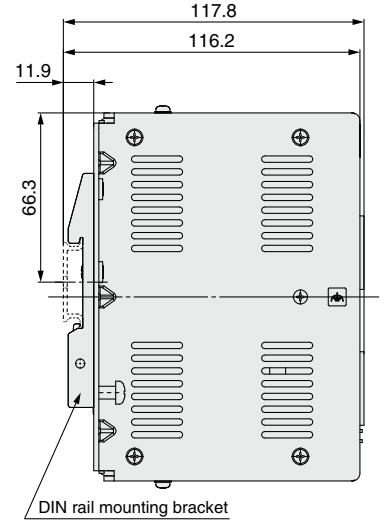
Dimensions

Parallel I/O JXC73/83

Screw mounting

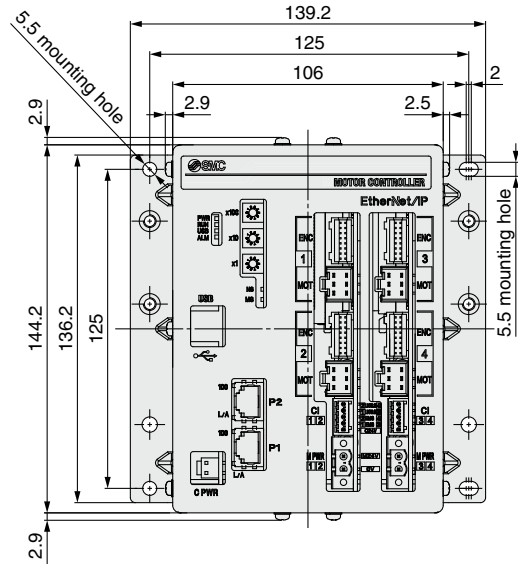
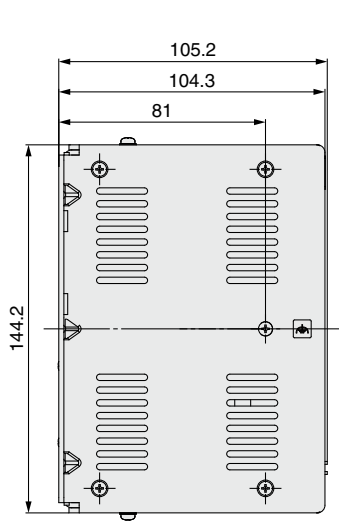


DIN rail mounting

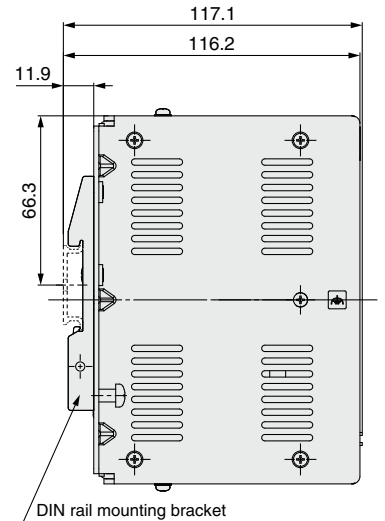


EtherNet/IP™ Type JXC93

Screw mounting



DIN rail mounting



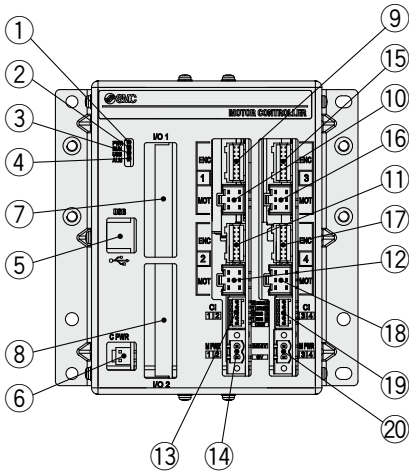
JXC92

JXC73/83/93

JXC73/83/93 Series

Controller Details

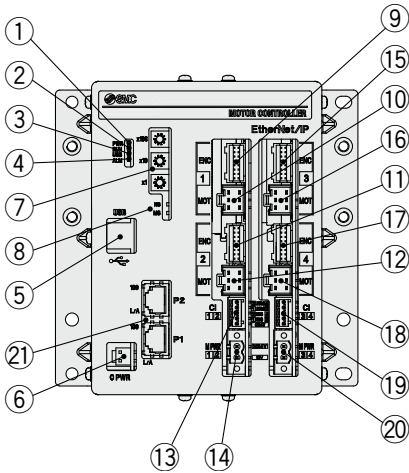
Parallel I/O JXC73/83



No.	Name	Description	Details
①	PWR	Power supply LED (Green)	Power supply ON: Green turns on Power supply OFF: Green turns off
②	RUN	Operation LED (Green)	Running in parallel I/O: Green turns on Running via USB communication: Green flashes Stopped: Green turns off
③	USB	USB connection LED (Green)	USB connected: Green turns on USB not connected: Green turns off
④	ALM	Alarm LED (Red)	With alarm: Red turns on Without alarm: Red turns off
⑤	USB	Serial communication	Connect to a PC via the USB cable.
⑥	C PWR	Main control power supply connector (2 pins) *1	Main control power supply (+) (-)
⑦	I/O 1	Parallel I/O connector (40 pins)	Connect to a PLC via the I/O cable.
⑧	I/O 2	Parallel I/O connector (40 pins)	Connect to a PLC via the I/O cable.
⑨	ENC 1	Encoder connector (16 pins)	Axis 1: Connect the actuator cable.
⑩	MOT 1	Motor power connector (6 pins)	
⑪	ENC 2	Encoder connector (16 pins)	Axis 2: Connect the actuator cable.
⑫	MOT 2	Motor power connector (6 pins)	
⑬	CI 1 2	Motor control power supply connector *1	Motor control power supply (+), Axis 1 stop (+), Axis 1 lock release (+), Axis 2 stop (+), Axis 2 lock release (+)
⑭	M PWR 1 2	Motor power supply connector *1	For Axis 1, 2. Motor power supply (+), Common (-)
⑮	ENC 3	Encoder connector (16 pins)	Axis 3: Connect the actuator cable.
⑯	MOT 3	Motor power connector (6 pins)	
⑰	ENC 4	Encoder connector (16 pins)	Axis 4: Connect the actuator cable.
⑱	MOT 4	Motor power connector (6 pins)	
⑲	CI 3 4	Motor control power supply connector *1	Motor control power supply (+), Axis 3 stop (+), Axis 3 lock release (+), Axis 4 stop (+), Axis 4 lock release (+)
⑳	M PWR 3 4	Motor power supply connector *1	For Axis 3, 4. Motor power supply (+), Common (-)

*1 Connectors are included. (Refer to page 12.)

EtherNet/IP™ Type JXC93



No.	Name	Description	Details
①	PWR	Power supply LED (Green)	Power supply ON: Green turns on Power supply OFF: Green turns off
②	RUN	Operation LED (Green)	Running in EtherNet/IP™: Green turns on Running via USB communication: Green flashes Stopped: Green turns off
③	USB	USB connection LED (Green)	USB connected: Green turns on USB not connected: Green turns off
④	ALM	Alarm LED (Red)	With alarm: Red turns on Without alarm: Red turns off
⑤	USB	Serial communication	Connect to a PC via the USB cable.
⑥	C PWR	Main control power supply connector (2 pins) *1	Main control power supply (+) (-)
⑦	x100 x10 x1	IP address setting switches	Switch to set the 4th byte of the IP address by X1, X10 and X100.
⑧	MS, NS	Communication status LED	Displays the status of the EtherNet/IP™ communication
⑨	ENC 1	Encoder connector (16 pins)	Axis 1: Connect the actuator cable.
⑩	MOT 1	Motor power connector (6 pins)	
⑪	ENC 2	Encoder connector (16 pins)	Axis 2: Connect the actuator cable.
⑫	MOT 2	Motor power connector (6 pins)	
⑬	CI 1 2	Motor control power supply connector *1	Motor control power supply (+), Axis 1 stop (+), Axis 1 lock release (+), Axis 2 stop (+), Axis 2 lock release (+)
⑭	M PWR 1 2	Motor power supply connector *1	For Axis 1, 2. Motor power supply (+), Common (-)
⑮	ENC 3	Encoder connector (16 pins)	Axis 3: Connect the actuator cable.
⑯	MOT 3	Motor power connector (6 pins)	
⑰	ENC 4	Encoder connector (16 pins)	Axis 4: Connect the actuator cable.
⑱	MOT 4	Motor power connector (6 pins)	
⑲	CI 3 4	Motor control power supply connector *1	Motor control power supply (+), Axis 3 stop (+), Axis 3 lock release (+), Axis 4 stop (+), Axis 4 lock release (+)
⑳	M PWR 3 4	Motor power supply connector *1	For Axis 3, 4. Motor power supply (+), Common (-)
㉑	P1, P2	EtherNet/IP™ communication connector	Connect Ethernet cable.

*1 Connectors are included. (Refer to page 12.)

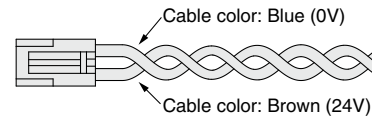
Wiring Example 1

Cable with Main Control Power Supply Connector (For 4 Axes)*1: C PWR 1 pc. For 4 Axes
JXC73/83/93

Terminal name	Function	Details
+24V	Main control power supply (+)	Power supply (+) supplied to the main control
24-0V	Main control power supply (-)	Power supply (-) supplied to the main control

*1 Part no.: JXC-C1 (Cable length: 1.5 m)

Cable with main control power supply connector



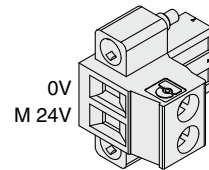
Motor Power Supply Connector (For 3/4 Axes)*2: M PWR 2 pcs.*3 For 3 Axes
JXC92 For 4 Axes
JXC73/83/93

Terminal name	Function	Details	Note
0V	Motor power supply (-)	Power supply (-) supplied to the motor power	For 3 axes JXC92
		The M 24V terminal, C 24V terminal, EMG terminal, and LKRLS terminal are common (-).	For 4 axes JXC73/83/93
M 24V	Motor power supply (+)	Power supply (+) supplied to the motor power	

*2 Manufactured by PHOENIX CONTACT (Part no.: MSTB2, 5/2-STF-5, 08)

*3 1 pc. for 3 axes (JXC92)

Motor power supply connector

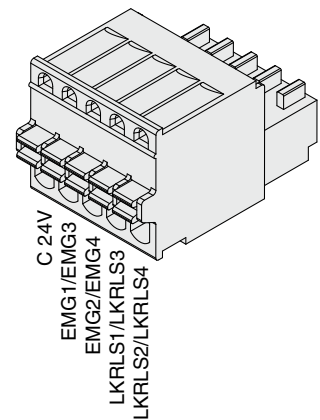


Motor Control Power Supply Connector (For 4 Axes)*4: CI 2 pcs. For 4 Axes
JXC73/83/93

Terminal name	Function	Details
C 24V	Motor control power supply (+)	Power supply (+) supplied to the motor control
EMG1/EMG3	Stop (+)	Axis 1/Axis 3: Input (+) for releasing the stop
EMG2/EMG4	Stop (+)	Axis 2/Axis 4: Input (+) for releasing the stop
LKRLS1/LKRLS3	Lock release (+)	Axis 1/Axis 3: Input (+) for releasing the lock
LKRLS2/LKRLS4	Lock release (+)	Axis 2/Axis 4: Input (+) for releasing the lock

*4 Manufactured by PHOENIX CONTACT (Part no.: FK-MC0, 5/5-ST-2, 5)

Motor control power supply connector

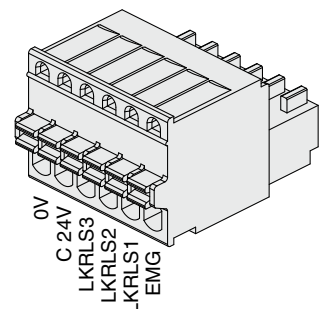


Control Power Supply Connector (For 3 Axes)*5: CI 1 pc. For 3 Axes
JXC92

Terminal name	Function	Details
0V	Control power supply (-)	The C 24V terminal, LKRLS terminal, and EMG terminal are common (-).
C 24V	Control power supply (+)	Power supply (+) supplied to the control
LKRLS3	Lock release (+)	Axis 3: Input (+) for releasing the lock
LKRLS2	Lock release (+)	Axis 2: Input (+) for releasing the lock
LKRLS1	Lock release (+)	Axis 1: Input (+) for releasing the lock
EMG	Stop (+)	All axes: Input (+) for releasing the stop

*5 Manufactured by PHOENIX CONTACT (Part no.: FK-MC0, 5/6-ST-2, 5)

Control power supply connector



JXC73/83/92/93 Series

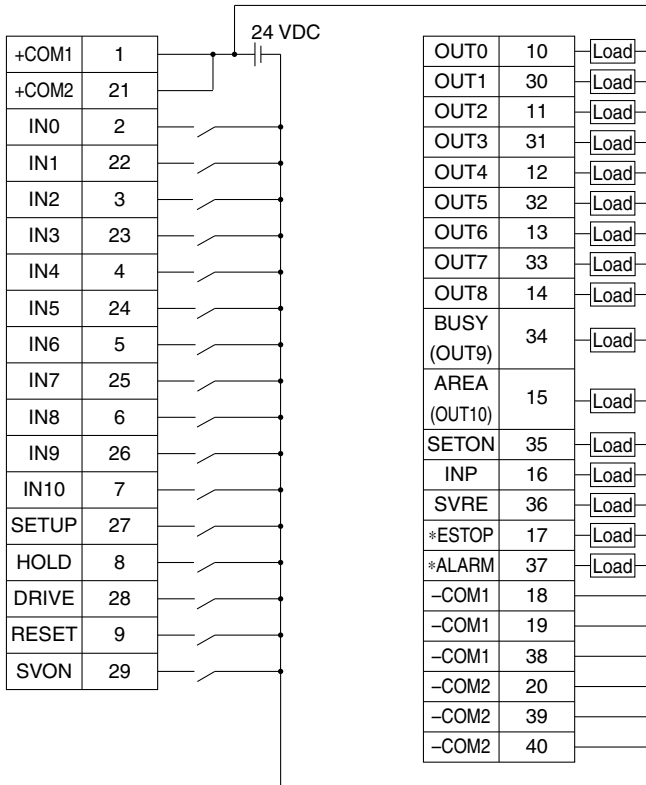
Wiring Example 2

Parallel I/O Connector

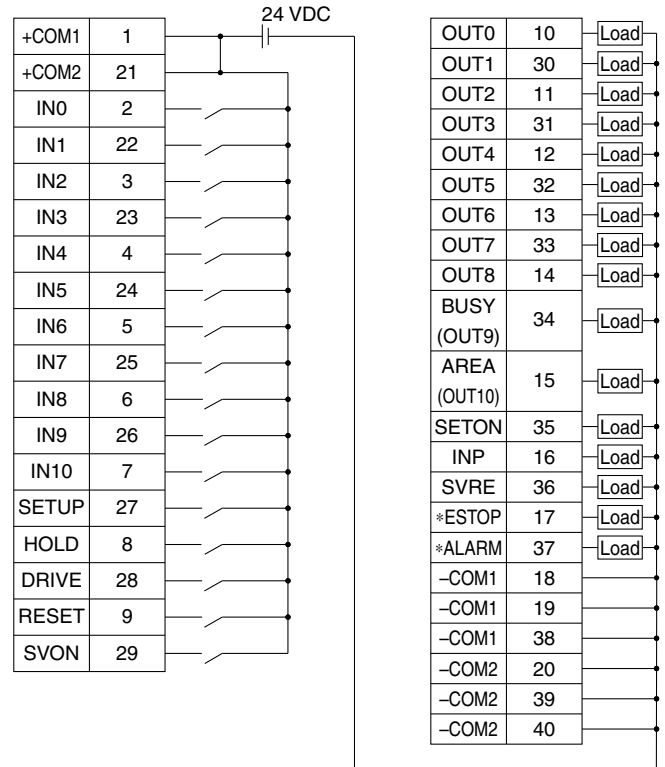
- * When you connect a PLC to the I/O 1 or I/O 2 parallel I/O connector, use the I/O cable (JXC-C2-□).
- * The wiring changes depending on the type of the parallel I/O (NPN or PNP).

I/O 1 Wiring example

NPN JXC73



PNP JXC83



I/O 1 Input Signal

Name	Details
+COM1 +COM2	Connects the power supply 24 V for input/output signal
IN0 to IN8	Step data specified Bit No. (Standard: When 512 points are used)
IN9 IN10	Step data specified extension Bit No. (Extension: When 2048 points are used)
SETUP	Instruction to return to origin
HOLD	Operation is temporarily stopped
DRIVE	Instruction to drive
RESET	Alarm reset and operation interruption
SVON	Servo ON instruction

I/O 1 Output Signal

Name	Details
OUT0 to OUT8	Outputs the step data no. during operation
BUSY (OUT9)	Outputs when the operation of the actuator is in progress
AREA (OUT10)	Outputs when all actuators are within the area output range
SETON	Outputs when the return to origin of all actuators is completed
INP	Outputs when the positioning or pushing of all actuators is completed
SVRE	Outputs when servo is ON
*ESTOP *1	Not output when EMG stop is instructed
*ALARM *1	Not output when alarm is generated
-COM1 -COM2	Connects the power supply 0 V for input/output signal

*1 Negative-logic circuit signal

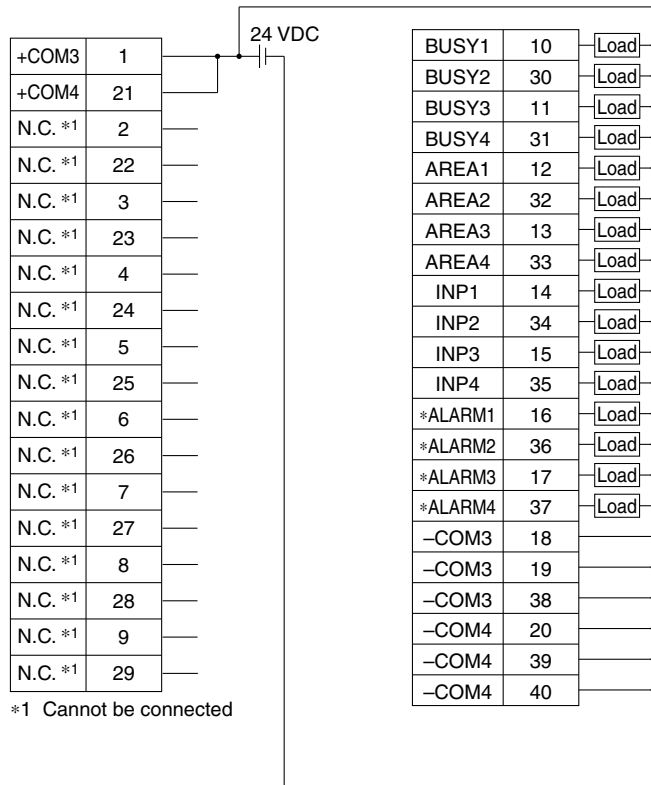
Wiring Example 2

Parallel I/O Connector

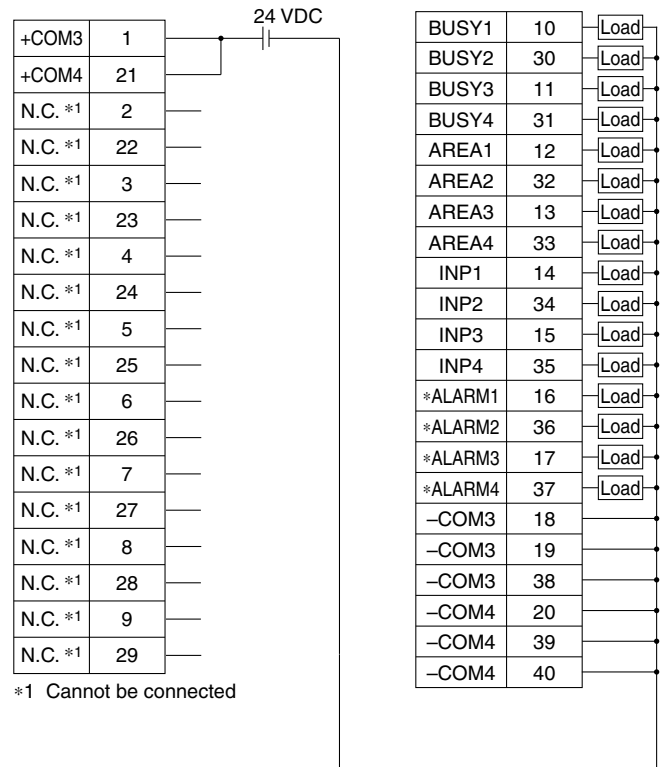
- * When you connect a PLC to the I/O 1 or I/O 2 parallel I/O connector, use the I/O cable (JXC-C2-□).
- * The wiring changes depending on the type of the parallel I/O (NPN or PNP).

I/O 2 Wiring example

NPN JXC73



PNP JXC83



I/O 2 Input Signal

Name	Details
+COM3 +COM4	Connects the power supply 24 V for input/output signal
N.C.	Cannot be connected

I/O 2 Output Signal

Name	Details
BUSY1	Busy signal for axis 1
BUSY2	Busy signal for axis 2
BUSY3	Busy signal for axis 3
BUSY4	Busy signal for axis 4
AREA1	Area signal for axis 1
AREA2	Area signal for axis 2
AREA3	Area signal for axis 3
AREA4	Area signal for axis 4
INP1	Positioning or pushing completion signal for axis 1
INP2	Positioning or pushing completion signal for axis 2
INP3	Positioning or pushing completion signal for axis 3
INP4	Positioning or pushing completion signal for axis 4
*ALARM1 *2	Alarm signal for axis 1
*ALARM2 *2	Alarm signal for axis 2
*ALARM3 *2	Alarm signal for axis 3
*ALARM4 *2	Alarm signal for axis 4
-COM3 -COM4	Connects the power supply 0 V for input/output signal

*2 Negative-logic circuit signal

JXC73/83/92/93 Series

Options

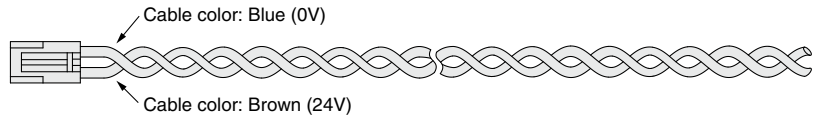
Cable with main control power supply connector

For 4 Axes
JXC73/83/93

JXC - C1

Cable length: 1.5 m (Accessory)

Number of cores	2
AWG size	AWG20



I/O cable (1 pc.)

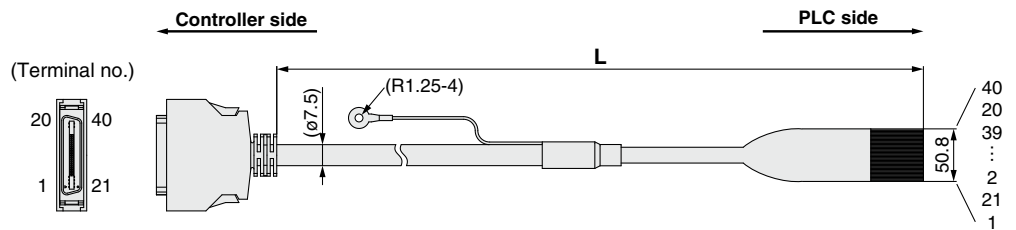
JXC - C2 -

For 4 Axes
JXC73/83

Cable length (L) [m]

1	1.5
3	3
5	5

Number of cores	40
AWG size	AWG28



Pin no.	Wire color	Pin no.	Wire color	Pin no.	Wire color	Pin no.	Wire color
1	Orange (Black 1)	6	Orange (Black 2)	11	Orange (Black 3)	16	Orange (Black 4)
21	Orange (Red 1)	26	Orange (Red 2)	31	Orange (Red 3)	36	Orange (Red 4)
2	Gray (Black 1)	7	Gray (Black 2)	12	Gray (Black 3)	17	Gray (Black 4)
22	Gray (Red 1)	27	Gray (Red 2)	32	Gray (Red 3)	37	Gray (Red 4)
3	White (Black 1)	8	White (Black 2)	13	White (Black 3)	18	White (Black 4)
23	White (Red 1)	28	White (Red 2)	33	White (Red 3)	38	White (Red 4)
4	Yellow (Black 1)	9	Yellow (Black 2)	14	Yellow (Black 3)	19	Yellow (Black 4)
24	Yellow (Red 1)	29	Yellow (Red 2)	34	Yellow (Red 3)	39	Yellow (Red 4)
5	Pink (Black 1)	10	Pink (Black 2)	15	Pink (Black 3)	20	Pink (Black 4)
25	Pink (Red 1)	30	Pink (Red 2)	35	Pink (Red 3)	40	Pink (Red 4)

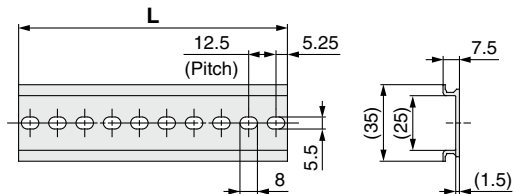
DIN rail

AXT100 - DR -

For 3 Axes
JXC92

For 4 Axes
JXC73/83/93

* For , enter a number from the No. line in the table below. Refer to the dimension drawings on pages 7 and 10 for the mounting dimensions.



L Dimension

No.	1	2	3	4	5	6	7	8	9	10	11	12	13	14	15	16	17	18	19	20
L	23	35.5	48	60.5	73	85.5	98	110.5	123	135.5	148	160.5	173	185.5	198	210.5	223	235.5	248	260.5
No.	21	22	23	24	25	26	27	28	29	30	31	32	33	34	35	36	37	38	39	40
L	273	285.5	298	310.5	323	335.5	348	360.5	373	385.5	398	410.5	423	435.5	448	460.5	473	485.5	498	510.5

DIN rail mounting bracket (with 6 mounting screws)

JXC - Z1

For 3 Axes
JXC92

For 4 Axes
JXC73/83/93

This should be used when the DIN rail mounting bracket is mounted onto a screw mounting type controller afterwards.

Options

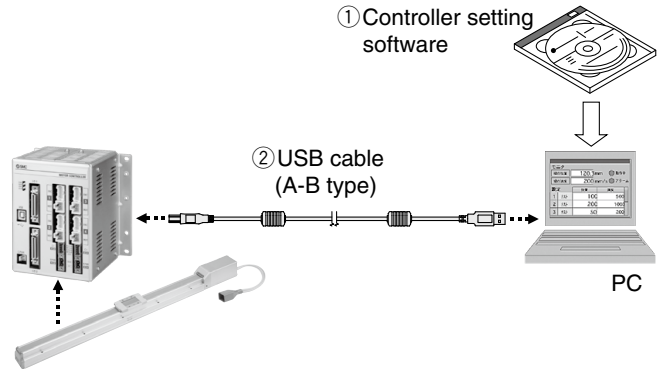
Controller setting kit

For 4 Axes
JXC73/83/93

JXC-W1

- Controller setting kit (Japanese and English are available.)

① Controller setting software



Contents

- ① Controller setting software (CD-ROM)
- ② USB cable (Cable length: 3 m)

	Description	Model
①	Controller setting software	JXC-W1-1
②	USB cable	JXC-W1-2

* Can be ordered separately

Hardware Requirements

PC/AT compatible machine with Windows 7 or Windows 8.1 and USB1.1 or USB2.0 port

* Windows® is a registered trademark of Microsoft Corporation in the United States.

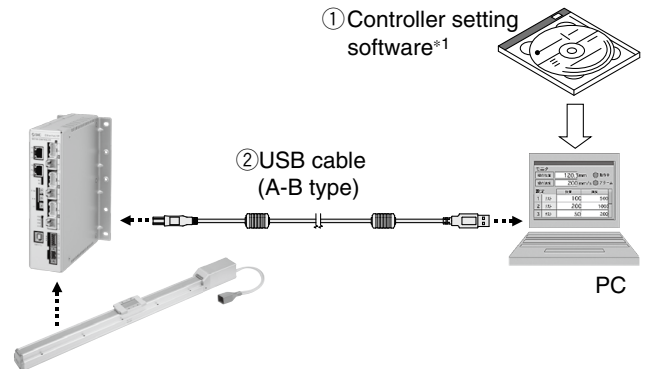
Controller setting kit

For 3 Axes
JXC92

JXC-MA1*1

- Controller setting kit (Japanese and English are available.)

① Controller setting software*1



Contents

- ① Controller setting software (CD-ROM)*1
- ② USB cable (Cable length: 3 m)

	Description	Model
①	Controller setting software	JXC-MA1-1
②	USB cable	JXC-MA1-2

* Can be ordered separately

Hardware Requirements

PC/AT compatible machine with Windows 7 or Windows 8.1 and USB1.1 or USB2.0 port

*1 The controller setting software also includes software dedicated for 4 axes.

* Windows® is a registered trademark of Microsoft Corporation in the United States.

JXC73/83/92/93 Series

Options: Actuator Cable

[Robotic cable, standard cable for step motor (Servo/24 VDC)]

For 3 Axes For 4 Axes
JXC92 JXC73/83/93

LE-CP-1-

Cable length (L) [m]

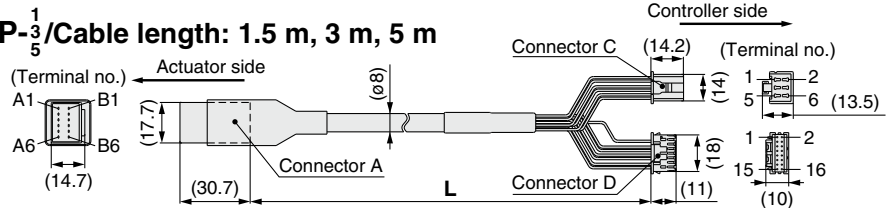
1	1.5
3	3
5	5
8	8*1
A	10*1
B	15*1
C	20*1

*1 Produced upon receipt of order (Robotic cable only)

Cable type

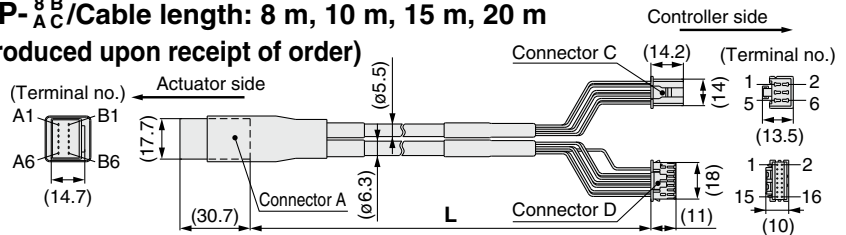
Nil	Robotic cable (Flexible cable)
S	Standard cable

LE-CP-¹/₅/Cable length: 1.5 m, 3 m, 5 m



LE-CP-^{8B}/_{AC}/Cable length: 8 m, 10 m, 15 m, 20 m

(*1 Produced upon receipt of order)



Signal	Connector A terminal no.	Cable color	Connector C terminal no.
A	B-1	Brown	2
A	A-1	Red	1
B	B-2	Orange	6
B	A-2	Yellow	5
COM-A/COM	B-3	Green	3
COM-B/-	A-3	Blue	4
Shield			
Vcc	B-4	Brown	12
GND	A-4	Black	13
A	B-5	Red	7
A	A-5	Black	6
B	B-6	Orange	9
B	A-6	Black	8
			3

[Robotic cable, standard cable with lock and sensor for step motor (Servo/24 VDC)]

For 3 Axes For 4 Axes
JXC92 JXC73/83/93

LE-CP-1-B-

Cable length (L) [m]

1	1.5
3	3
5	5
8	8*1
A	10*1
B	15*1
C	20*1

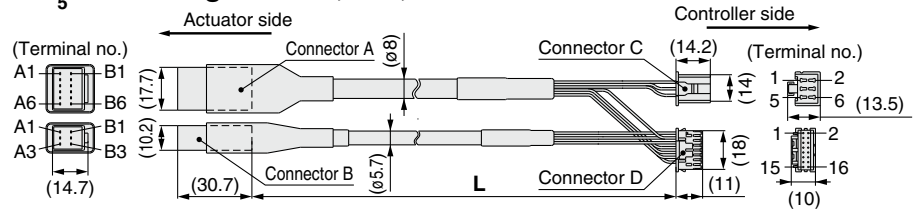
*1 Produced upon receipt of order (Robotic cable only)

With lock and sensor

Cable type

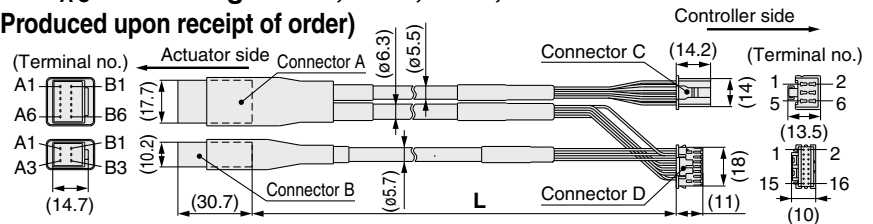
Nil	Robotic cable (Flexible cable)
S	Standard cable

LE-CP-¹/₅/Cable length: 1.5 m, 3 m, 5 m



LE-CP-^{8B}/_{AC}/Cable length: 8 m, 10 m, 15 m, 20 m

(*1 Produced upon receipt of order)



Signal	Connector A terminal no.	Cable color	Connector C terminal no.
A	B-1	Brown	2
A	A-1	Red	1
B	B-2	Orange	6
B	A-2	Yellow	5
COM-A/COM	B-3	Green	3
COM-B/-	A-3	Blue	4
Shield			
Vcc	B-4	Brown	12
GND	A-4	Black	13
A	B-5	Red	7
A	A-5	Black	6
B	B-6	Orange	9
B	A-6	Black	8
			3

Signal	Connector B terminal no.	Cable color	Connector D terminal no.
Lock (+)	B-1	Red	4
Lock (-)	A-1	Black	5
Sensor (+)	B-3	Brown	1
Sensor (-)	A-3	Blue	2