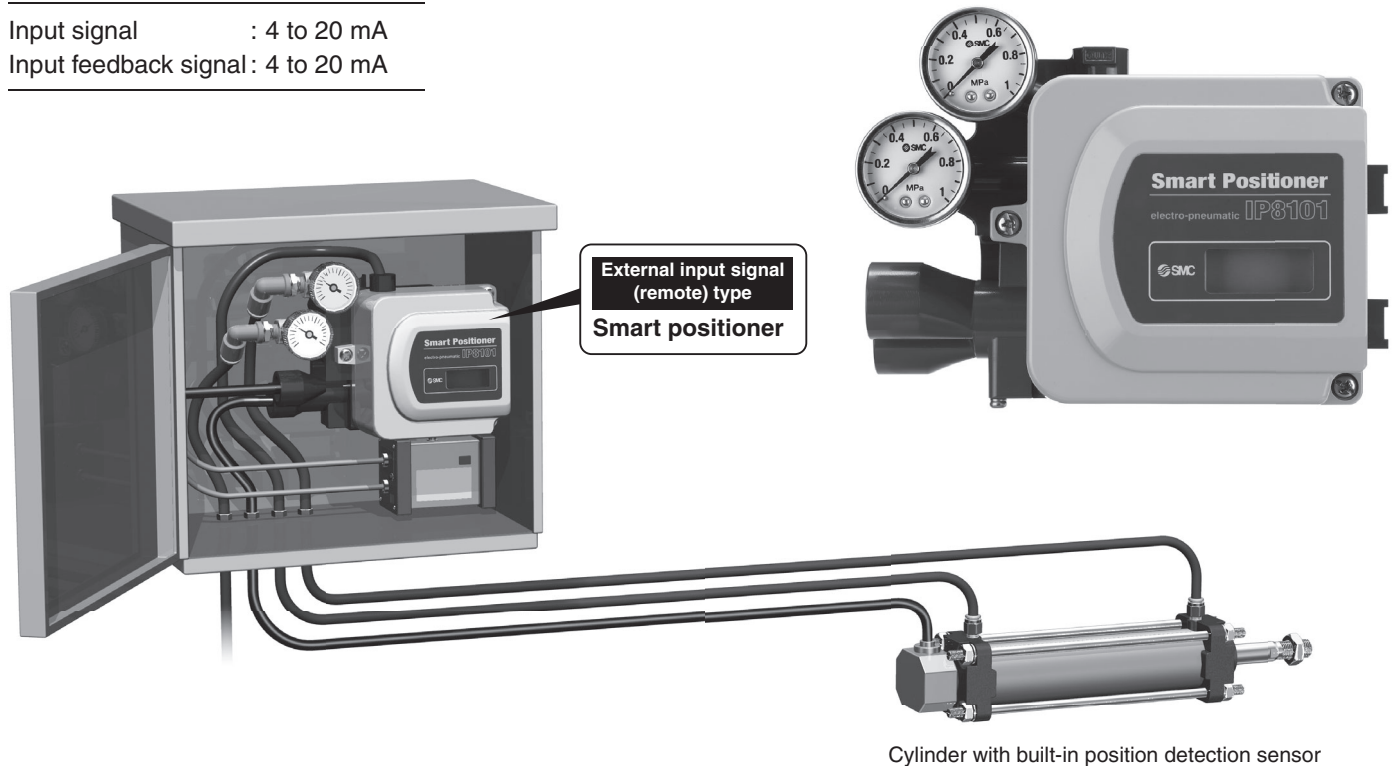


# External Input Signal (Remote) Type Smart Positioner



**Allows for the remote control of cylinders**  
**Controls the cylinder by feedback signal**

Input signal : 4 to 20 mA  
 Input feedback signal : 4 to 20 mA

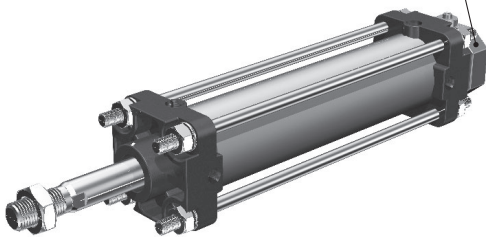


**Related Product**

**Cylinder with built-in external sensor  
 (Available as a special order product)**

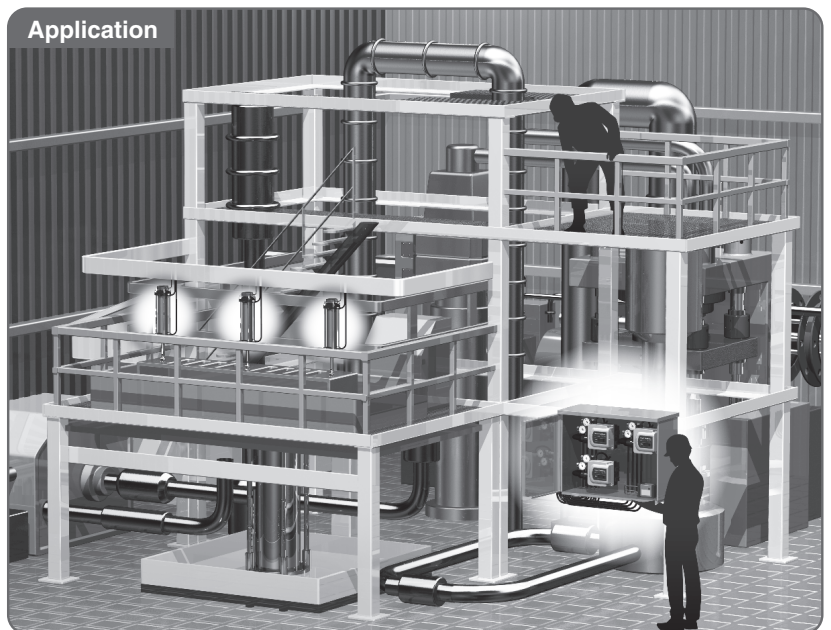
A cylinder with a built-in external sensor for position detection that supports the external input signal (remote) type smart positioner

External sensor for position detection



\* For special order products and lead times, contact your SMC sales representative.

**Application**



**IP8101-X419-Q**

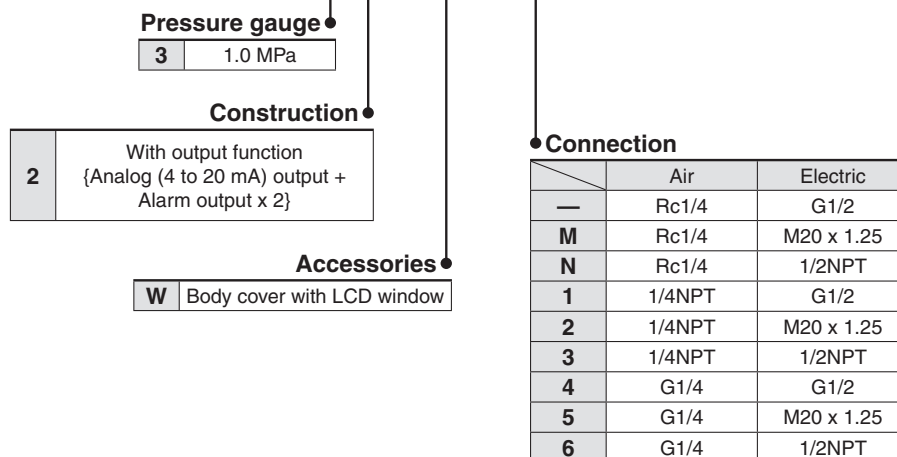


20-EU764-UK

# IP8101-X419-Q

## How to Order

IP8101-032-W--X419-Q



## Specifications

### Positioner Specifications

Input current	4 to 20 mA*1 (2-line, Separate power source unnecessary)
Input feedback signal	4 ±1 to 20 ±1 mA
Piping length	10 m or less
Tubing size	O.D.: 8 mm, I.D.: 5 mm
Min. operating current	3.85 mA or more
Voltage between terminals	12 VDC (Equivalent to 600 Ω input resistance, at 20 mA)
Max. supply power	1 W*2 (Imax: 100 mA, Vmax: 28 VDC)
Supply air pressure	0.3 to 0.7 MPa
Sensitivity	Within ±0.2 % F.S.*3
Linearity*3	Within ±1 % F.S. (Noise interference-free environment) Within ±8 % F.S. (For "-Q"/use in an environment with noise interference)
Hysteresis	Within 0.5 % F.S.*3
Repeatability	Within ±0.5 % F.S.*3
Temperature coefficient	Within 0.05 % F.S./°C*3
Max. output flow	200 l/min (ANR) or more (SUP = 0.4 MPa)*4
Air consumption	Within 11 l/min (ANR) (SUP = 0.4 MPa)*4
Ambient and fluid temperatures	-20 °C to 80 °C (Non-explosion proof)*5, *6
Enclosure	JIS F 8007 IP65 (Compliant with IEC 60529)
Air connection port*7	1/4 (Rc, NPT, G) female thread
Electrical connection port*7	1/2 (G, NPT) female thread, M20 x 1.5 female thread
Material	Body/Cover: Aluminium diecast (Coating: Baking finish with epoxy resin) Thread: Stainless steel
Weight	Approx. 2.6 kg

\*1 A 1/2 split range can be selected using the split range setting (Parameter code: 300).

\*2 <Example> If an input current of 80 mA is input by mistake, damage will not occur as long as the input power supply voltage is below 12.5 VDC.  
Max. supply power = 80 mA x 12.5 V = 1 W

\*3 The linearity value was confirmed with no load using an SMC inspection device (the device with a built-in sensor shown in the table below).  
The positioner cannot be used independently; it is meant for use as a part of a loop which includes actuating equipment such as valves, actuators, distributed control systems, etc. Therefore, the values in the table may vary depending on the loop conditions.  
The temperature coefficient of the external sensor is not included in the temperature coefficient.  
The linearity value of ±8 % F.S. or less is based on measurement during EMC-testing under certain electrical noise conditions.

\*4 (ANR) indicates JIS B 0120 standard air.

\*5 The LCD display may be difficult to see at low temperatures, but this does not affect positioner operation.

\*6 Be aware that temperature fluctuations may affect the voltage between terminals.

\*7 The connection port type can be selected during model selection.

### External Sensor Specifications (Reference)

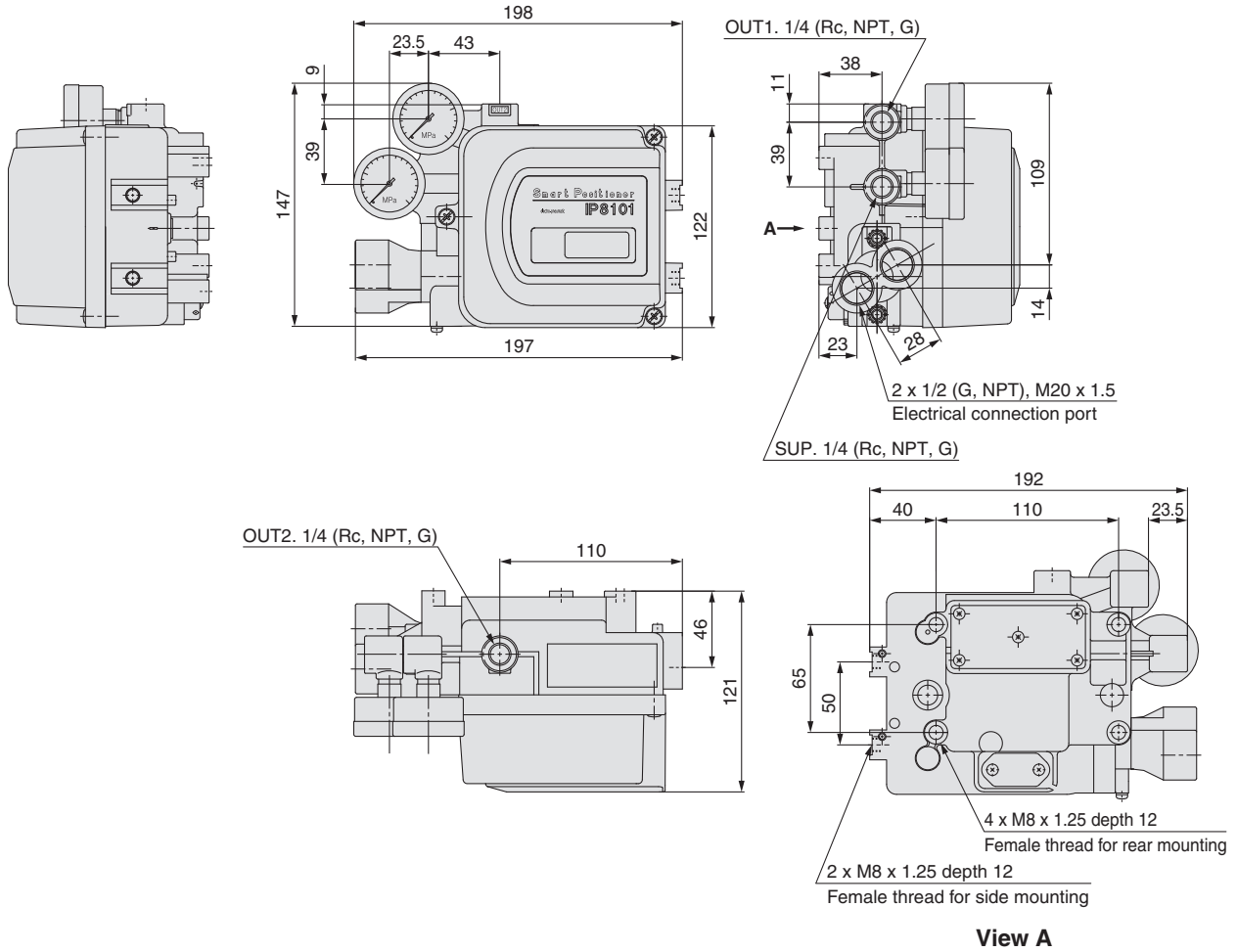
Linearity	±0.05 % F.S. or less
Resolution	0.01 % F.S. or less
Repeatability	±0.01 % F.S. or less
Output signal	4 ±1 to 20 ±1 mA

\* Be sure to ground the product to prevent malfunction caused by noise or damage caused by static electricity.

**Dimensions**

[mm]

IP8101-032-W-□-X419-Q





#### SMC Corporation (Europe)

<b>Austria</b>	+43 (0)2262622800	www.smc.at	office@smc.at
<b>Belgium</b>	+32 (0)33551464	www.smc.be	info@smc.be
<b>Bulgaria</b>	+359 (0)2807670	www.smc.bg	office@smc.bg
<b>Croatia</b>	+385 (0)13707288	www.smc.hr	office@smc.hr
<b>Czech Republic</b>	+420 541424611	www.smc.cz	office@smc.cz
<b>Denmark</b>	+45 70252900	www.smc.dk.com	smc@smcdk.com
<b>Estonia</b>	+372 6510370	www.smc.pneumatics.ee	info@smcee.ee
<b>Finland</b>	+358 207513513	www.smc.fi	smcfi@smc.fi
<b>France</b>	+33 (0)164761000	www.smc-france.fr	info@smc-france.fr
<b>Germany</b>	+49 (0)61034020	www.smc.de	info@smc.de
<b>Greece</b>	+30 210 2717265	www.smc.hellas.gr	sales@smchellas.gr
<b>Hungary</b>	+36 23513000	www.smc.hu	office@smc.hu
<b>Ireland</b>	+353 (0)14039000	www.smc.automation.ie	sales@smcautomation.ie
<b>Italy</b>	+39 03990691	www.smc.italia.it	mailbox@smc.italia.it
<b>Latvia</b>	+371 67817700	www.smc.lv	info@smc.lv

<b>Lithuania</b>	+370 5 2308118	www.smc.lt	info@smclt.lt
<b>Netherlands</b>	+31 (0)205318888	www.smc.nl	info@smc.nl
<b>Norway</b>	+47 67129020	www.smc-norge.no	post@smc-norge.no
<b>Poland</b>	+48 222119600	www.smc.pl	office@smc.pl
<b>Portugal</b>	+351 214724500	www.smc.eu	apoioclientept@smc.smces.es
<b>Romania</b>	+40 213205111	www.smcromania.ro	smcromania@smcromania.ro
<b>Russia</b>	+7 8123036600	www.smc.eu	sales@smcru.com
<b>Slovakia</b>	+421 (0)413213212	www.smc.sk	office@smc.sk
<b>Slovenia</b>	+386 (0)73885412	www.smc.si	office@smc.si
<b>Spain</b>	+34 945184100	www.smc.eu	post@smc.smces.es
<b>Sweden</b>	+46 (0)86031200	www.smc.nu	smc@smc.nu
<b>Switzerland</b>	+41 (0)523963131	www.smc.ch	helpcenter@smc.ch
<b>Turkey</b>	+90 212 489 0 440	www.smc.pnomatik.com.tr	info@smcpnomatik.com.tr
<b>UK</b>	+44 (0)845 121 5122	www.smc.uk	sales@smc.uk