

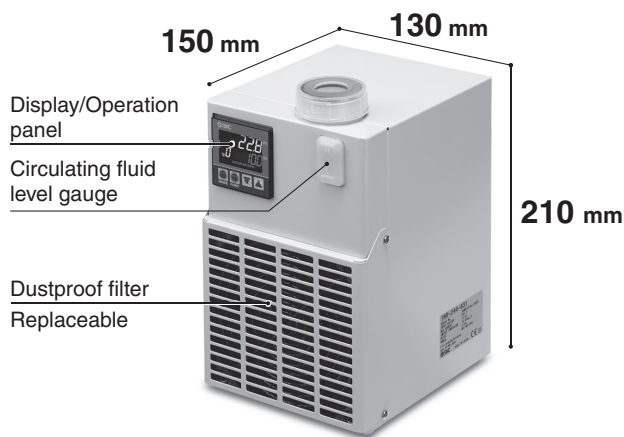
Peltier-type Chiller

Thermo-con/ Compact Type

Air-cooled



- Compact, Space saving
- Refrigerant-free
- Low-noise design: 45 dBA
(When selecting an option)
- Cooling capacity: 220 W
- Temperature stability:
±0.01 to 0.03 °C
- Set temperature range:
10 °C to 60 °C
- Fluid contact material:
Stainless steel, Resin
(Aluminium and copper material-free)



How to Order

INR-244-831-

Option

—	None
X125	High pressure pump
X126	Low noise fan
X127	High pressure pump Low noise fan

Specifications

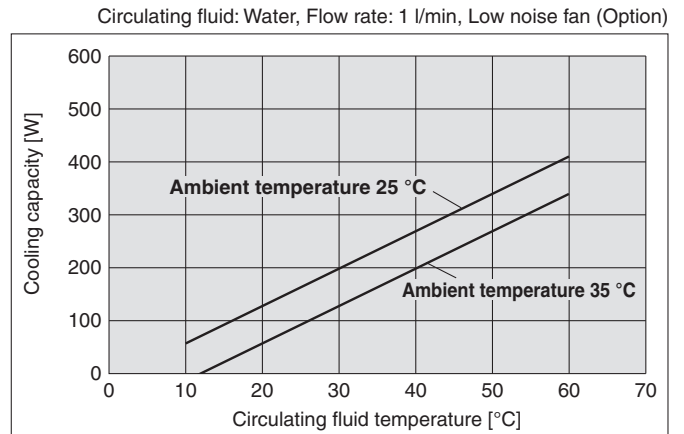
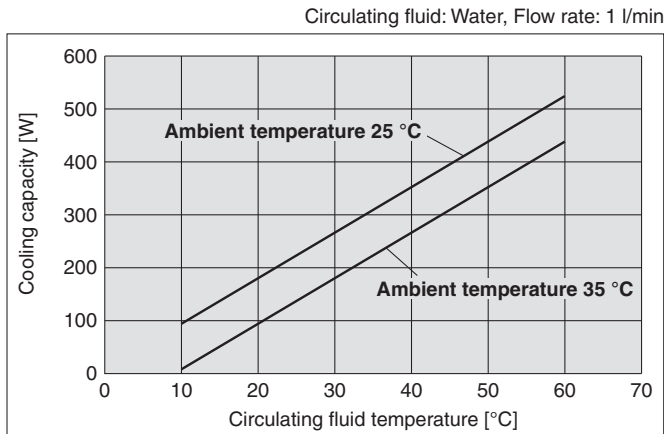
Cooling method		Thermoelectric device (Thermo-module)
Radiating method		Forced air cooling
Control method		Cooling/Heating automatic shift PID control
Ambient temperature		10 to 35 °C
Circulating fluid system	Circulating fluid	Tap water, Ethylene glycol aqueous solution (20 % or less)
	Set temperature range	10.0 to 60.0 °C (No condensation)
	Cooling capacity	220 W (Tap water)*1
	Heating capacity	500 W (Tap water)*1
	Temperature stability	±0.01 to 0.03 °C*2
	Pump capacity	Refer to the performance charts.
	Tank capacity	Approx. 110 mL
Electrical system	Port size	Rc1/4
	Fluid contact material	Stainless steel, EPDM, NBR, Ceramics, PPE, PPS, Carbon, PP, POM
	Power supply	24 VDC ±10 %
	Power consumption	12.5 A
Communications		RS-485
Weight		Approx. 4.5 kg
Noise level		Approx. 58 dBA (Low noise fan (Option): 45 dBA)
Accessories		Power supply cable (1 m), Operation Manual (The 24 VDC power supply should be prepared by the user.)
Safety standards		CE marking, UL (NRTL) standards

*1 Conditions: Set temperature 25 °C, Ambient temperature 25 °C, Circulating flow rate 1 l/min (For options, refer to the performance charts.)
*2 The indicated values are when there is a stable load without turbulence. It may be out of this range depending on the operating conditions.

INR-244-831

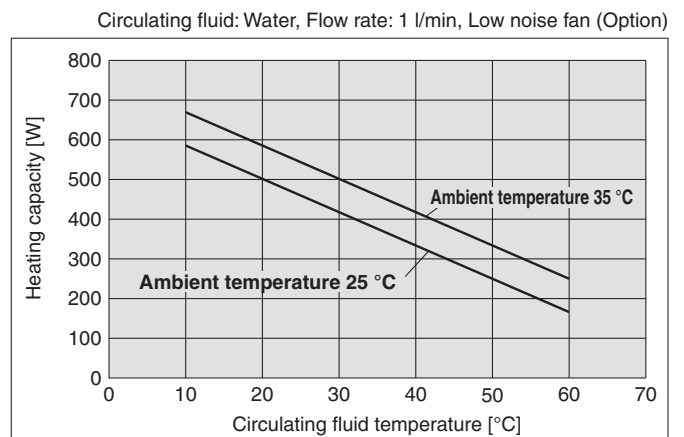
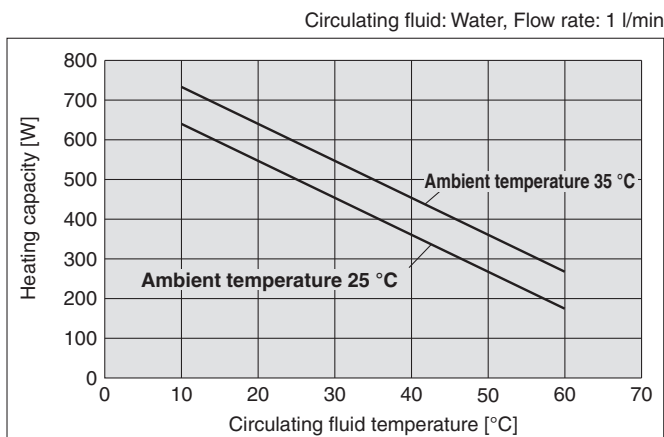
INR-244-831

Cooling Capacity



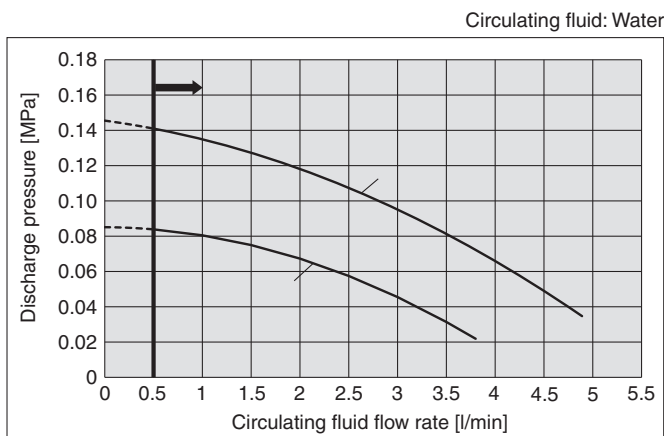
* For the high pressure pump (Option), the cooling capacity decreases by approx. 20 W.

Heating Capacity

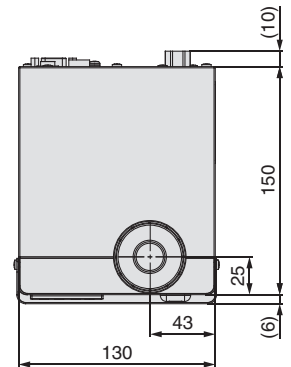
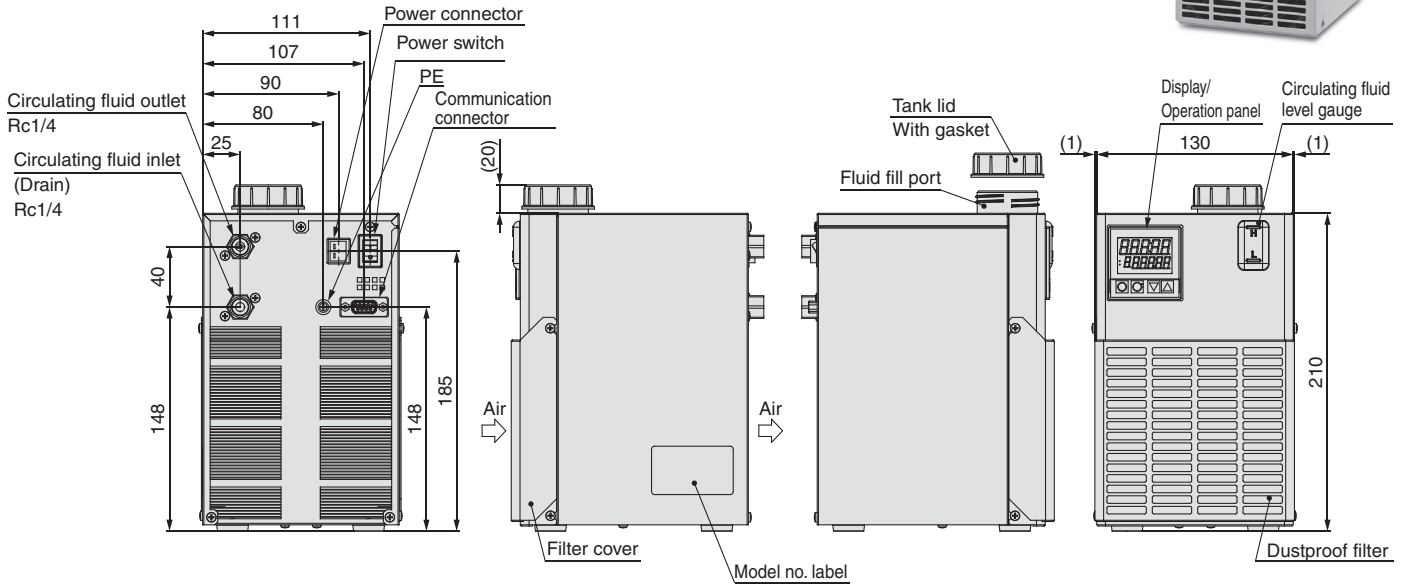


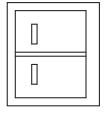
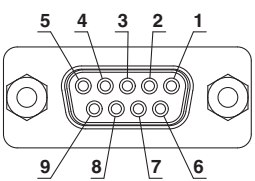
* For the high pressure pump (Option), the heating capacity increases by approx. 10 W.

Pump Capacity (Thermo-con Outlet)



Dimensions



Connector name	No.	Signal contents	Connector type/Part no.
Power connector	1	24 VDC +	 J.S.T. Mfg. Co., Ltd. JFA connector J4000 series SC02B-J42SK-GHXR
	2	24 VDC -	
Communication connector	1	RS-485 BUS +	 D-sub 9 pin (socket type) Holding screw: M2.6
	2-8	Unused	
	9	RS-485 BUS -	



SMC Corporation (Europe)

Austria	+43 (0)2262622800	www.smc.at	office@smc.at
Belgium	+32 (0)33551464	www.smc.be	info@smc.be
Bulgaria	+359 (0)2807670	www.smc.bg	office@smc.bg
Croatia	+385 (0)13707288	www.smc.hr	office@smc.hr
Czech Republic	+420 541424611	www.smc.cz	office@smc.cz
Denmark	+45 70252900	www.smcdk.com	smc@smcdk.com
Estonia	+372 6510370	www.smc pneumatics.ee	info@smcee.ee
Finland	+358 207513513	www.smc.fi	smc fi@smc.fi
France	+33 (0)164761000	www.smc-france.fr	info@smc-france.fr
Germany	+49 (0)61034020	www.smc.de	info@smc.de
Greece	+30 210 2717265	www.smchellas.gr	sales@smchellas.gr
Hungary	+36 23513000	www.smc.hu	office@smc.hu
Ireland	+353 (0)14039000	www.smc automation.ie	sales@smc automation.ie
Italy	+39 03990691	www.smcitalia.it	mailbox@smcitalia.it
Latvia	+371 67817700	www.smc.lv	info@smc.lv

Lithuania	+370 5 2308118	www.smclt.lt	info@smclt.lt
Netherlands	+31 (0)205318888	www.smc.nl	info@smc.nl
Norway	+47 67129020	www.smc-norge.no	post@smc-norge.no
Poland	+48 222119600	www.smc.pl	office@smc.pl
Portugal	+351 214724500	www.smc.eu	apoioclientept@smc.smces.es
Romania	+40 213205111	www.smcromania.ro	smcromania@smcromania.ro
Russia	+7 8123036600	www.smc.eu	sales@smcru.com
Slovakia	+421 (0)413213212	www.smc.sk	office@smc.sk
Slovenia	+386 (0)73885412	www.smc.si	office@smc.si
Spain	+34 945184100	www.smc.eu	post@smc.smces.es
Sweden	+46 (0)86031200	www.smc.nu	smc@smc.nu
Switzerland	+41 (0)523963131	www.smc.ch	helpcenter@smc.ch
Turkey	+90 212 489 0 440	www.smc pnomatik.com.tr	info@smc pnomatik.com.tr
UK	+44 (0)845 121 5122	www.smc.uk	sales@smc.uk