

---

# Grippers for Collaborative Robots

---

## KAWADA ROBOTICS CORPORATION

Compliant with the  
humanoid dual-arm  
robot NEXTAGE

RoHS



**Vacuum gripper**  
ZXP7-PFL1-□-X1



**Air Gripper**  
JMHZ2-X7500-KR



CAT.EUS160-8A-UK

# Grippers for Collaborative Robots

## KAWADA ROBOTICS CORPORATION

Compliant with the humanoid dual-arm robot NEXTAGE

### For Adsorption

## Vacuum gripper ZXP7-PFL1-□-X1

- Standards: Conforming to ISO9409-1-50-4-M6
- Tube-less piping  
Individual piping to vacuum pads is unnecessary and there is no interference with workpieces or operators
- Features a rounded appearance without corners
- A wide variety of pad variations are available to support a wide range of workpieces.
- Possible to change the number of vacuum pads and mounting pitches



Standards	Conforming to ISO9409-1-50-4-M6
Fluid	Air
Operating temperature range [°C]	5 to 50
Weight [g]*1	228
Max. work load [kg]*2	7
Vacuum pressure supply (PV) port	M5 x 0.8, Rc1/8
Number of vacuum pads	4 pcs. (Included in the same package) Possible to mount between 1 and 5 pcs.

\*1 The weight does not include a pad with adapter. For the total product weight, add the weight of a pad with adapter to this value. (Refer to the "Vacuum Pad Part Numbers and Weight" on page 6.)

\*2 May be restricted depending on the pad diameter, mounting orientation, or workpiece. Please use within the max. work load. Suction and transfer exceeding the max. work load may result in reduced vacuum pressure due to air leakage.

\* Included parts: Parallel pin, Mounting bolt, Pads with adapter, Plug\*3

\*3 M5 x 0.8 For vacuum pressure supply port: 1 pc., M3 x 0.5 For pad with adapter: 4 pcs.



## For Gripping

# Air Gripper JMHZ2-X7500-KR

- Compact, lightweight product with high gripping force due to air operation
- With high-precision linear guide, Repeatability:  $\pm 0.01$  mm
- Integrated speed adjustment mechanism
- Selectable attachment, protective cover, and auto switch
- Standards: ISO9409-1-50-4-M6

Gripping force Effective value per finger [N]	External	32.7
	Internal	43.5
Opening/Closing stroke (Both sides) [mm]		10
Weight [g]		350*1

\*1 Includes 2 attachments (30 g) and 2 protective covers (20 g)




# C O N T E N T S

## Grippers for Collaborative Robots

KAWADA ROBOTICS CORPORATION

Compliant with the humanoid dual-arm robot NEXTAGE



**For Adsorption**

Vacuum gripper  
ZXP7-PFL1-□-X1

p. 4

Features .....	p. 4
Pad Variations .....	p. 5
Specifications .....	p. 5
How to Order .....	p. 6
Dimensions .....	p. 7
Specific Product Precautions .....	p. 8



**For Gripping**

Air Gripper  
JMHZ2-X7500-KR

p. 9

Features .....	p. 9
Component Parts .....	p. 9
Specifications .....	p. 10
How to Order .....	p. 10
Characteristics .....	p. 11
Dimensions .....	p. 12
Specific Product Precautions .....	p. 13



# Vacuum gripper for Collaborative Robots

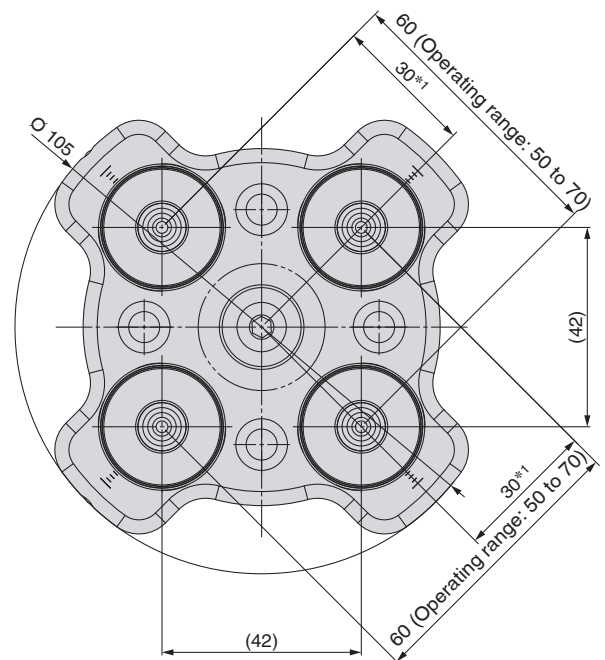
KAWADA ROBOTICS CORPORATION  
Humanoid dual-arm robot

**NEXTAGE compliant**

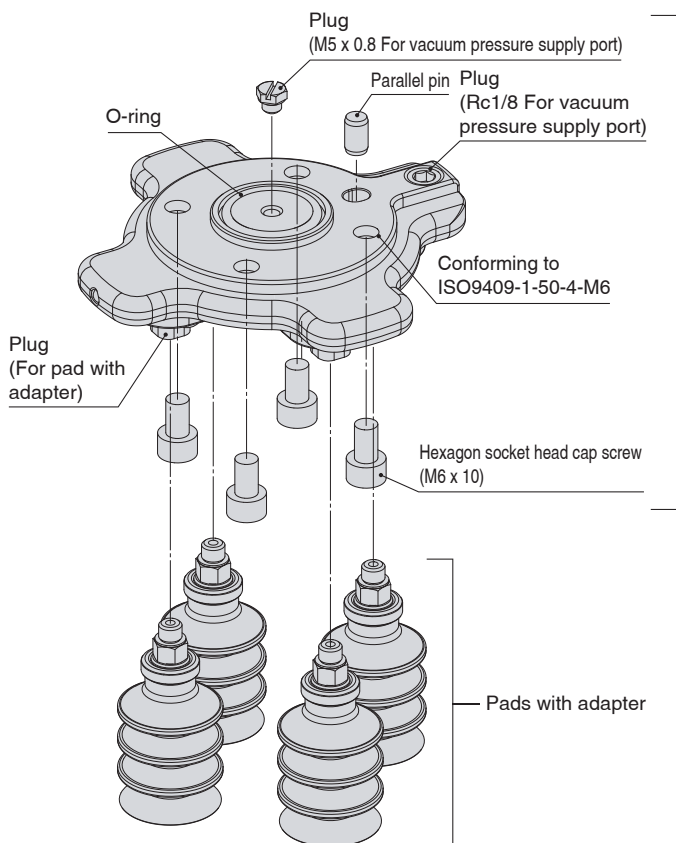


- **Standards: Conforming to ISO9409-1-50-4-M6**
- **Tube-less piping**  
Individual piping to vacuum pads is unnecessary and there is no interference with workpieces or operators
- **Features a rounded appearance without corners**
- **A wide variety of pad variations are available to support a wide range of workpieces.**
- **Possible to change the number of vacuum pads and mounting pitches**

■ **The pad pitch can be changed.**



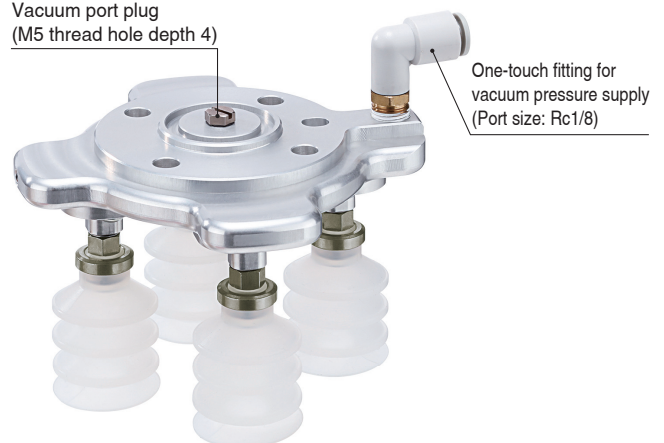
\*1 Operating range: 25 to 35 (When a pad is mounted in the centre)  
As interference between pads may occur depending on the pad diameter, select the pad diameter according to the pitch to be used.



Pad mounting flange  
ZXP7-PFL1-A-X1

Vacuum port plug  
(M5 thread hole depth 4)

One-touch fitting for vacuum pressure supply  
(Port size: Rc1/8)



When using the Rc 1/8 port as a vacuum pressure supply port, mount the supplied plug (product number: M-5P) to the M5 x 0.8 vacuum pressure supply (PV) port. Please order the One-touch fitting and tube to mount on the Rc1/8 port separately. (Recommended One-touch fitting: KQ2(S/L)08-01NS, recommended tube: TU0805)

## Pad Variations

The number of pads can be changed. (Refer to the operation manual for details on changing the quantity.)



1 pad



2 pads



4 pads

The pad type can be changed. (For details on selectable pads, refer to "How to Order.")



Flat (O 8), Silicone rubber



Bellows (O 20), NBR



Thin flat (O 16), NBR



Flat (O 32), Silicone rubber



Flat (O 32), Urethane rubber



O 32, 2.5-stage,  
Silicone rubber



O 25, 5.5-stage,  
Silicone rubber



O 25, 5.5-stage, Silicone  
rubber  
With vacuum saving valve



Vacuum saving valve  
ZP2V Series  
(To be ordered separately)  
Applicable part no.: **ZP2V-B6-05**

\* The silicone material is compliant with the FDA (U.S. Food and Drug Administration) regulation 21CFR§177.

## Specifications

Standards	Conforming to ISO9409-1-50-4-M6
Fluid	Air
Operating temperature range [°C]	5 to 50
Weight [g]*1	228
Max. work load [kg]*2	7
Vacuum pressure supply (PV) port	M5 x 0.8, Rc1/8
Number of vacuum pads	4 pcs. (Included in the same package) Possible to mount between 1 and 5 pcs.

\*1 The weight does not include a pad with adapter. For the total product weight, add the weight of a pad with adapter to this value. (Refer to the "Vacuum Pad Part Numbers and Weight" on page 6.)

\*2 May be restricted depending on the pad diameter, mounting orientation, or workpiece. Please use within the max. work load. Suction and transfer exceeding the max. work load may result in reduced vacuum pressure due to air leakage.

\* Included parts: Parallel pin, Mounting bolt, Pads with adapter, Plug\*3

\*3 M5 x 0.8 For vacuum pressure supply port: 1 pc., M3 x 0.5 For pad with adapter: 4 pcs.

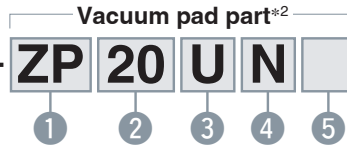
Flange only

ZXP7-PFL1-A-X1\*1

RoHS

Vacuum gripper

ZXP7-PFL1-**ZP****20****U****N**-X1



\*1 For details, refer to page 4.  
\*2 Refer to the table below for the applicable pads. 4 pads with adapters are included in the package.

1 Pad series

Symbol	Series
ZP	Basic
ZP3P	Bellows type for film packaging workpieces

2 Pad diameter

Symbol	Pad diameter	Symbol	Pad diameter
08	Ø 8	25	Ø 25
10	Ø 10	B25	Ø 25
13	Ø 13	B30	Ø 30
16	Ø 16	32	Ø 32
20	Ø 20		

3 Pad form

Symbol	Form
U	Flat
C	Flat with rib
B	Bellows
UT	Thin flat
J	Multistage bellows
JT2	2.5-stage bellows
JT5	5.5-stage bellows

4 Pad material

Symbol	Material
N	NBR
S	Silicone rubber (White)*3
U	Urethane rubber
F	FKM
SF	Silicone rubber (Blue)*3

\*3 The silicone material is compliant with the FDA (U.S. Food and Drug Administration) regulation 21CFR§177.

5 Attachment\*4

Symbol	Attachment
—	With (guide) attachment
M	With mesh attachment

\*4 Only applicable to the pad form "JT□." Note that "M" applies only to pad form: JT2.

Vacuum Pad Part Numbers and Weight

Part No. ZXP7-PFL1--X1

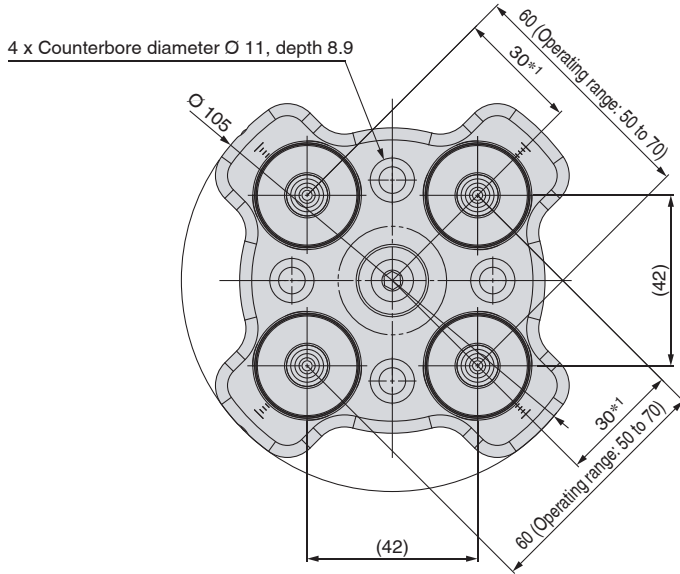
\* Refer to the catalogue on <https://www.smc.eu> for details on vacuum pads.

Pad part numbers

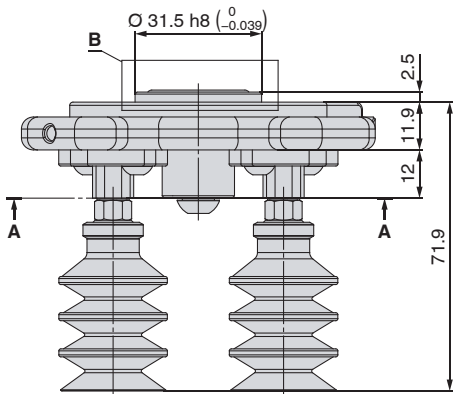
1 Pad series	2 Pad diameter	3 Pad form	4 Pad material	5 Attachment	Pad with adapter				Adapter unit Vacuum inlet: (Male thread M6 x 1)	Pad unit	
					Part no.	Weight by pad material (g/pad)					
					N (NBR)	S/SF (Silicone)	U (Urethane)	F (FKM)			
ZP	08	U	<input type="checkbox"/>		ZPT08U□-A6	4	4	4	4	ZPT1-A6	ZP08U□
ZP	08	B	<input type="checkbox"/>		ZPT08B□-A6	4	4	4	4		ZP08B□
ZP	10	UT	<input type="checkbox"/>		ZPT10UT□-A6	4	4	4	4		ZP10UT□
ZP	13	UT	<input type="checkbox"/>		ZPT13UT□-A6	4	4	4	4		ZP13UT□
ZP	16	UT	<input type="checkbox"/>		ZPT16UT□-A6	4	4	4	4	ZP16UT□	
ZP	10	U	<input type="checkbox"/>		ZPG10U□-7A-X2	7	7	7	7	ZPT2-7A-X2	ZP10U□
ZP	13	U	<input type="checkbox"/>		ZPG13U□-7A-X2	7	7	7	8		ZP13U□
ZP	16	U	<input type="checkbox"/>		ZPG16U□-7A-X2	7	7	7	8		ZP16U□
ZP	20	U	<input type="checkbox"/>		ZPG20U□-7A-X2	9	10	10	10		ZP20U□
ZP	25	U	<input type="checkbox"/>		ZPG25U□-7A-X2	10	10	10	11	ZPT3-7A-X2	ZP25U□
ZP	32	U	<input type="checkbox"/>		ZPG32U□-7A-X2	10	11	11	12		ZP32U□
ZP	10	C	<input type="checkbox"/>		ZPG10C□-7A-X2	7	7	7	7		ZP10C□
ZP	13	C	<input type="checkbox"/>		ZPG13C□-7A-X2	7	7	7	7		ZP13C□
ZP	16	C	<input type="checkbox"/>		ZPG16C□-7A-X2	7	7	7	8	ZP16C□	
ZP	20	C	<input type="checkbox"/>		ZPG20C□-7A-X2	9	10	10	11	ZPT2-7A-X2	ZP20C□
ZP	25	C	<input type="checkbox"/>		ZPG25C□-7A-X2	10	10	10	11		ZP25C□
ZP	32	C	<input type="checkbox"/>		ZPG32C□-7A-X2	10	11	11	12		ZP32C□
ZP	10	B	<input type="checkbox"/>		ZPG10B□-7A-X2	7	7	7	8		ZP10B□
ZP	13	B	<input type="checkbox"/>		ZPG13B□-7A-X2	7	8	8	8	ZPT2-7A-X2	ZP13B□
ZP	16	B	<input type="checkbox"/>		ZPG16B□-7A-X2	8	8	8	9		ZP16B□
ZP	20	B	<input type="checkbox"/>		ZPG20B□-7A-X2	11	11	11	13		ZP20B□
ZP	25	B	<input type="checkbox"/>		ZPG25B□-7A-X2	11	12	12	14		ZP25B□
ZP	32	B	<input type="checkbox"/>		ZPG32B□-7A-X2	14	15	15	18	ZP32B□	
ZP	20	UT	<input type="checkbox"/>		ZPG20UT□-7A-X2	4	4	4	4	ZPT1-A6	ZP2-20UT□
ZP	16	J	<input type="checkbox"/>		ZPG16J□-7A-X2	8	8	8	9		ZP2-16J□
ZP	B25	J	<input type="checkbox"/>		ZPGB25J□-7A-X2	14	15	15	18		ZP2-B25J□
ZP	B30	J	<input type="checkbox"/>		ZPGB30J□-7A-X2	18	19	19	25		ZP2-B30J□
ZP3P	20	JT2	SF		ZP3PG20JT2SF-7A-X2	—	21	—	—	ZP3PA-T1JT-7A-X2	ZP3P-20JT2SF-W
ZP3P	20	JT2	SF	M	ZP3PG20JT2SF-M-7A-X2	—	21	—	—		ZP3P-20JT2SF-WM
ZP3P	32	JT2	SF		ZP3PG32JT2SF-7A-X2	—	48	—	—		ZP3P-32JT2SF-W
ZP3P	32	JT2	SF	M	ZP3PG32JT2SF-M-7A-X2	—	48	—	—	ZP3PA-T2JT-7A-X2	ZP3P-32JT2SF-WM
ZP3P	20	JT5	SF		ZP3PG20JT5SF-7A-X2	—	23	—	—		ZP3P-20JT5SF-WG
ZP3P	25	JT5	SF		ZP3PG25JT5SF-7A-X2	—	25	—	—		ZP3P-25JT5SF-WG
ZP3P	32	JT5	SF		ZP3PG32JT5SF-7A-X2	—	54	—	—	ZP3PA-T2JT-7A-X2	ZP3P-32JT5SF-WG

Input the material symbol ("N," "S," "U," or "F") into the □ in the part number.

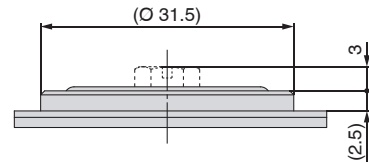
# Dimensions



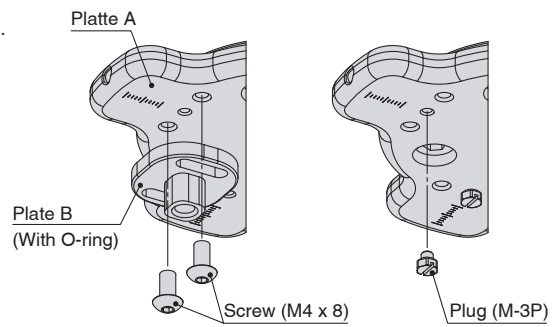
\*1 Operating range: 25 to 35 (When a pad is mounted in the centre)  
As interference between pads may occur depending on the pad diameter, select the pad diameter according to the pitch to be used.



**B (2: 1)**  
When the plug (M-5P) is mounted



When the plug (M-3P) is mounted

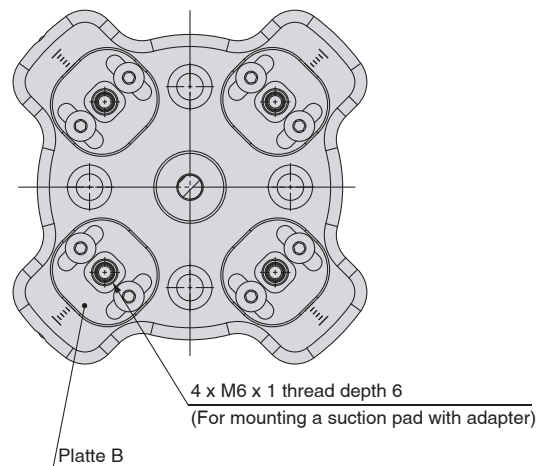
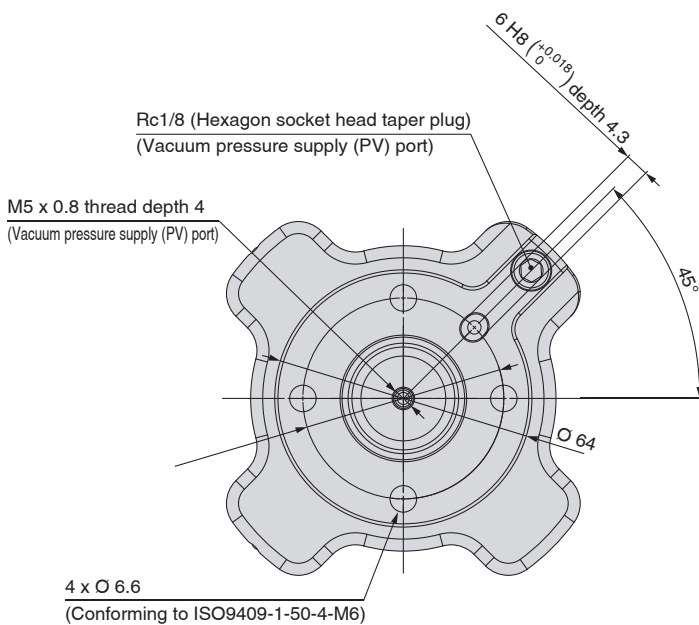


### How to mount the plug

- 1) Loosen two bolts (M4 x 8) and remove plate B from plate A. Be careful not to lose the O-ring when removing the plate.
- 2) Confirm the gasket seal in the accessory plug, then mount the plugs to plate A.

### A-A

### Suction pad with adapter mounting parts







# ZXP7-PFL1-□-X1

## Specific Product Precautions

Be sure to read this before handling the products. For safety instructions and vacuum equipment

precautions, refer to the “Handling Precautions for SMC Products” and the “Operation Manual” on the SMC website: <https://www.smc.eu>

### Handling

#### Caution

1. Strictly observe the precautions on vacuum equipment and safety when using the product. Additionally, select a pad size and material suitable to both the workpiece to be adsorbed and the atmosphere. Take safety measures so that any accident, such as the dropping of a workpiece, does not occur during adsorption transfer. For details, refer to the catalogue on <https://www.smc.eu>.
2. Use the product within the specification range. Use exceeding the compressed air pressure or voltage may result in serious damage due to reduced product performance.
3. Exhaust air is released from the opening in the product. Therefore, this exhaust air opening must not be blocked or restricted.

### Mounting

#### Caution

1. For details on the mounting method, refer to the Operation Manual.
2. Tighten to the specified tightening torque. If the tightening torque is exceeded, the body and the mounting screws may break. However, insufficient torque may cause displacement of the body and loosening of the mounting screws.
3. Do not drop, strike, or apply excessive impact to this product.
4. Hold the body when handling the product.
5. The bolts may loosen due to the operating conditions and environment. Be sure to conduct maintenance such as tightening the bolts periodically.

### Piping

#### Caution

##### 1. Flushing of the inside of the pipes

Before piping is connected, it should be thoroughly blown out with air (flushing) or washed to remove chips, cutting oil, and other debris from inside the pipe.

##### 2. Tube attachment

- Take a tube having no flaws on its periphery and cut it off at a right angle. When cutting the tube, use tube cutters TK-1, 2, 3, 5, or 6. Do not use pliers, nippers, scissors, etc. If cutting is done with tools other than tube cutters, the tube may be cut diagonally or become flattened, etc., making a secure installation impossible, and causing problems such as the tube pulling out after installation or air leakage. Allow some extra length in the tube.
- Grasp the tube and push it in slowly, inserting it securely all the way into the fitting.
- After inserting the tube, pull on it lightly to confirm that it will not come out. If it is not installed securely all the way into the fitting, this can cause problems such as air leakage or the tube pulling out.

##### 3. Tube detachment

- Push in the release button sufficiently, pushing its collar equally around the circumference.
- Pull out the tube while holding down the release button so that it does not come out. If the release button is not pressed down sufficiently, there will be increased bite on the tube and it will become more difficult to pull it out.
- When the removed tube is to be used again, cut off the portion which has been chewed before reusing it. If the chewed portion of the tube is used as is, this can cause trouble such as air leakage or difficulty in removing the tube.

##### 4. Other Tube Brands

When using other than SMC brand tube, confirm that the following specifications are satisfied with respect to the tube outside diameter tolerance.

- Nylon tube                      within  $\pm 0.1$  mm
- Soft nylon tube                within  $\pm 0.1$  mm
- Polyurethane tube          within  $+0.15$  mm, within  $-0.2$  mm

Do not use tube which do not meet these outside diameter tolerances. It may not be possible to connect them, or they may cause other trouble, such as air leakage or the tube pulling out after connection.

##### 5. Piping

- Do not apply unnecessary forces, such as twisting, pulling, moment loads, vibration, impact, etc., on fittings or tubing. This will cause damage to fittings and will crush, burst, or release tubing.
- Do not lift the product by the piping after the tube is connected. Doing so may result in damage to the One-touch fitting. For details, refer to the “Handling Precautions for SMC Products” on the SMC website: <https://www.smc.eu>

# Air Gripper

## for Collaborative Robots

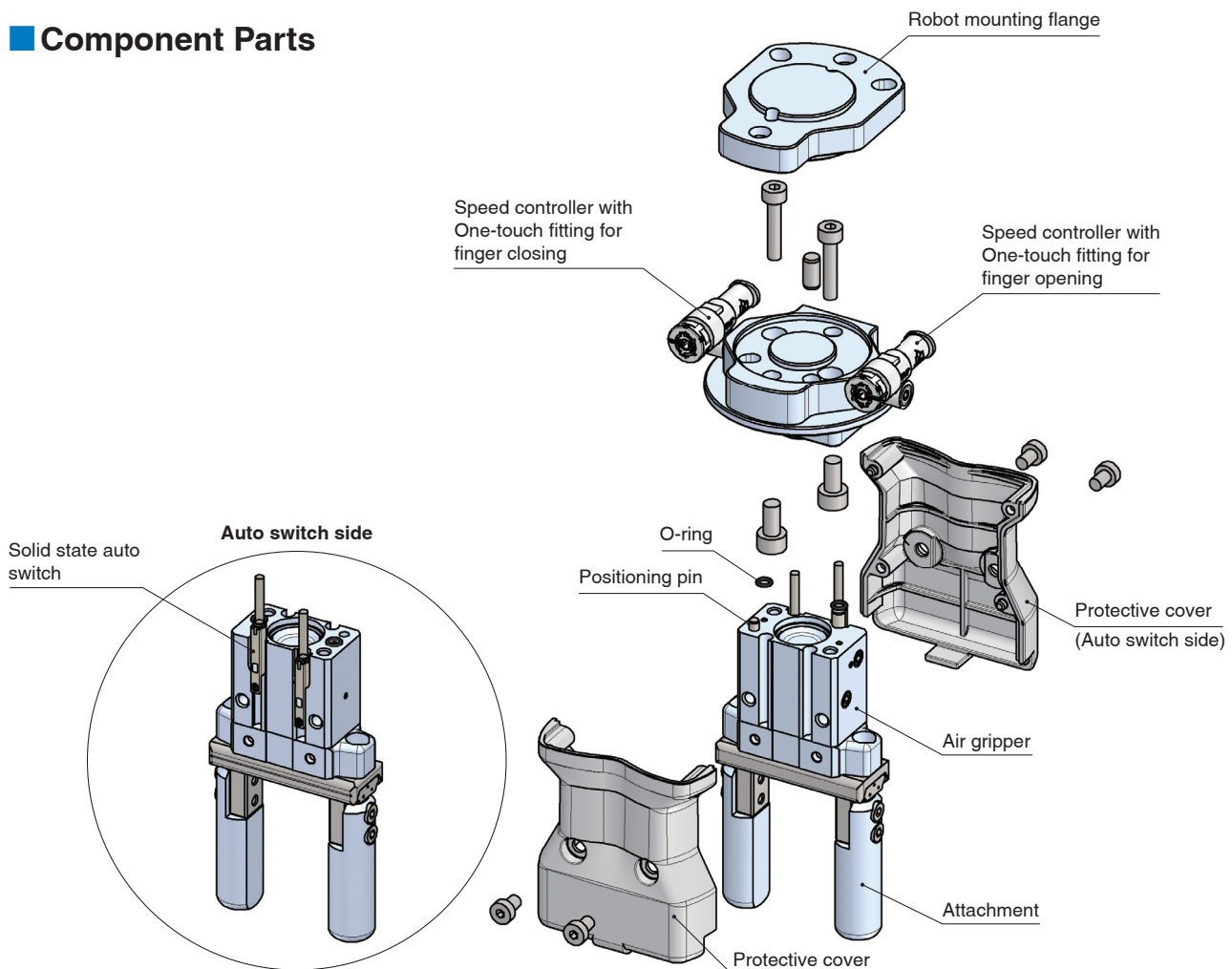
KAWADA ROBOTICS CORPORATION  
Humanoid dual-arm robot

**NEXTAGE compliant**

- Compact, lightweight product with high gripping force due to air operation
- An air gripper that realises high rigidity and high precision due to its guide-integrated construction
  - | With high-precision linear guide
  - | **Repeatability:  $\pm 0.01$  mm**
- Integrated speed adjustment mechanism
- A split protective cover for easy air gripper maintenance
- Selectable attachment, protective cover, and number of auto switches
- Standards: Conforming to ISO9409-1-50-4-M6



### ■ Component Parts



## Specifications

Bore size [mm]	16
Fluid	Air
Operating pressure [MPa]	0.1 to 0.7
Ambient and fluid temperatures [°C]	-10 to 60
Repeatability [mm]	±0.01
Max. operating frequency [c.p.m]	120

Lubrication		Non-lube
Action		Double acting
Gripping force	External	32.7
Effective value per finger [N]	Internal	43.5
Opening/Closing stroke (Both sides) [mm]		10
Weight [g]		350*1

\*1 Includes 2 attachments (30 g) and 2 protective covers (20 g)

## How to Order

RoHS

**JMHZ 2-16D-M9NW**   **-X7500**   **A**   **C** -KR

1

2

3

4

5

6

7

For KAWADA  
ROBOTICS  
CORPORATION

### 1 Number of fingers

<b>2</b>	2
----------	---

### 2 Bore size

<b>16</b>	16 mm
-----------	-------

### 3 Action

<b>D</b>	Double acting
----------	---------------

### 4 Auto switch

Symbol	Specifications	Model
—	Without auto switch (Built-in magnet)	—
<b>M9N</b>	Solid state auto switch	<b>D-M9N</b>
<b>M9NW</b>	2-colour indicator solid state auto switch	<b>D-M9NW</b>

### 5 Number of auto switches

—	2
<b>S</b>	1
<b>N</b>	n

### 6 Attachment

—	Without attachment
<b>A</b>	With attachment

### 7 Protective cover

—	Without protective cover
<b>C</b>	With protective cover

\* Options "S" and "N" are shipped with the product.

## Applicable Auto Switches

Refer to the catalogue on <https://www.smc.eu> for further information on auto switches.

Type	Special function	Electrical entry	Indicator light	Wiring (Output)	Load voltage		Auto switch model	Lead wire length [m]*1				Pre-wired connector	Applicable load		
					DC	AC		0.5 (—)	1 (M)	3 (L)	5 (Z)		IC circuit	Relay, PLC	
Solid state auto switch	—	Grommet	Yes	3-wire (NPN)	24 V	5 V, 12 V	—	<b>M9N</b>	●	●	●	○	○	IC circuit	Relay, PLC
	Diagnostic indication (2-colour indicator)			3-wire (NPN)		5 V, 12 V			<b>M9NW</b>	●	●	●	○	○	

\* Lead wire length symbols:

0.5 m.....	—	(Example) M9NW
1 m.....	M	(Example) M9NWM
3 m.....	L	(Example) M9NWL
5 m.....	Z	(Example) M9NWZ

\*1 Auto switches marked with a "○" are produced upon receipt of order.

\* When using the 2-colour indicator type, please make the setting so that the indicator is lit in red to ensure the detection at the proper position of the air gripper.

\* Product mounting bolts are included in the package.

\* Use M9N/M9NW when directly connecting the auto switch to the robot.

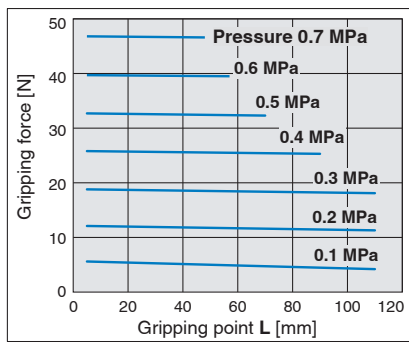
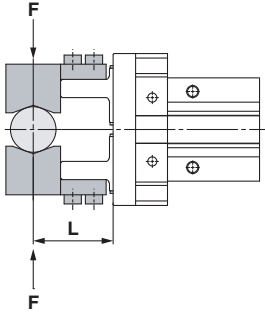
# Characteristics

## Gripping force

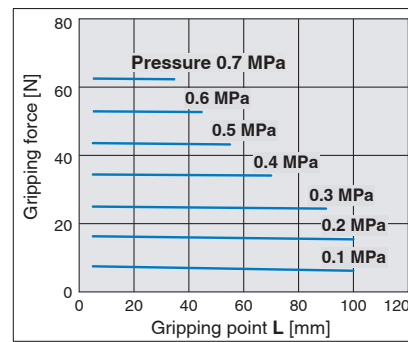
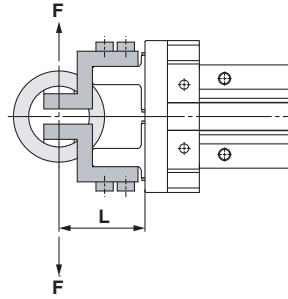
### • Indication of effective gripping force

The gripping force shown in the graphs below represents the gripping force of one finger when all fingers and attachments are in contact with the workpiece. F = One finger thrust

### External gripping force



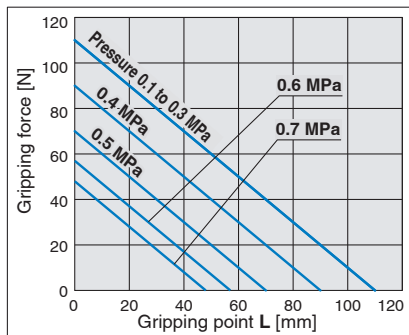
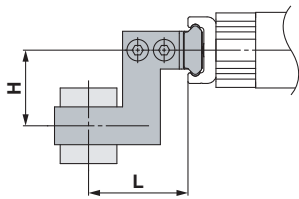
### Internal gripping force



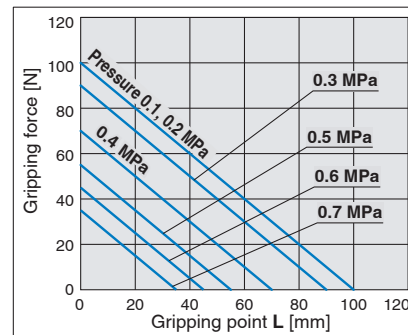
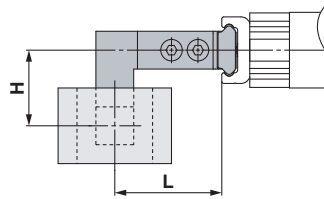
## Gripping point

- The air gripper should be operated so that the workpiece gripping point "L" and the amount of overhang "H" stay within the range shown for each operating pressure given in the graphs below.
- If the workpiece gripping point goes beyond the range limits, this will have an adverse effect on the life of the air gripper.

### External grip



### Internal grip









# JMHZ2-X7500-KR

## Specific Product Precautions

Be sure to read this before handling the products. For safety instructions, air gripper precautions, air gripper specific product precautions, and auto switch precautions, refer to the “Handling Precautions for SMC Products” and the “Operation Manual” on the SMC website: <https://www.smc.eu>

### Handling

#### Caution

1. Martensitic stainless steel is used for the finger guide. However, the anti-corrosiveness of this steel is inferior to that of austenitic stainless steel. In particular, rust may be generated in environments where waterdrops are likely to adhere to the product due to condensation, etc.
2. Finite orbit type guide is used in the actuator finger part. By using this, when there are inertial force which cause by movements or rotation to the actuator, steel ball will move to one side and this will cause a large resistance and degrade the accuracy. When there are inertial force which cause by movements or rotation to the actuator, operate the finger to full stroke.
3. When mounting or removing the attachment, use the following tightening torque: 0.59 N. The weight of the attachment is generally about 70 g per side of a finger.

### Mounting

#### Caution

1. For details on the mounting method, refer to the Operation Manual.
2. Tighten to the specified tightening torque. If the tightening torque is exceeded, the body and the mounting screws may break. However, insufficient torque may cause displacement of the body and loosening of the mounting screws.
3. Do not drop, strike, or apply excessive impact to this product. Doing so may result in damage to the internal parts of the body or auto switch. In some cases, this damage may result in a malfunction.
4. Hold the body when handling the product. Do not pull excessively on the auto switch cable or pinch the cable when lifting the body. Failure to do so may result in damage to the auto switch. In some cases, this damage may result in a failure or malfunction.
5. The bolts may loosen due to the operating conditions and environment. Be sure to conduct maintenance such as tightening the bolts periodically.

### Wiring

#### Caution

1. Avoid repeatedly bending or stretching the auto switch cable as well as applying force to it.
2. Do not wire while energising the product. Doing so may result in damage to the internal parts of the auto switch. In some cases, this damage may result in a malfunction.
3. Do not disassemble the product or make any modifications, including additional machining. Doing so may cause human injury and/or an accident.




### Piping

#### Caution

1. **Flushing of the inside of the pipes**  
Before piping is connected, it should be thoroughly blown out with air (flushing) or washed to remove chips, cutting oil, and other debris from inside the pipe.
2. **Tube attachment**
  - Take a tube having no flaws on its periphery and cut it off at a right angle. When cutting the tube, use tube cutters TK-1, 2, 3, 5, or 6. Do not use pliers, nippers, scissors, etc. If cutting is done with tools other than tube cutters, the tube may be cut diagonally or become flattened, etc., making a secure installation impossible, and causing problems such as the tube pulling out after installation or air leakage. Allow some extra length in the tube.
  - Grasp the tube and push it in slowly, inserting it securely all the way into the fitting.
  - After inserting the tube, pull on it lightly to confirm that it will not come out. If it is not installed securely all the way into the fitting, this can cause problems such as air leakage or the tube pulling out.
3. **Tube detachment**
  - Push in the release button sufficiently, pushing its collar equally around the circumference.
  - Pull out the tube while holding down the release button so that it does not come out. If the release button is not pressed down sufficiently, there will be increased bite on the tube and it will become more difficult to pull it out.
  - When the removed tube is to be used again, cut off the portion which has been chewed before reusing it. If the chewed portion of the tube is used as is, this can cause trouble such as air leakage or difficulty in removing the tube.
4. **Other Tube Brands**  
When using other than SMC brand tube, confirm that the following specifications are satisfied with respect to the tube outside diameter tolerance.
  - Nylon tube within  $\pm 0.1$  mm
  - Soft nylon tube within  $\pm 0.1$  mm
  - Polyurethane tube within  $+0.15$  mm, within  $-0.2$  mmDo not use tube which do not meet these outside diameter tolerances. It may not be possible to connect them, or they may cause other trouble, such as air leakage or the tube pulling out after connection.
5. **Piping**
  - Do not apply unnecessary forces, such as twisting, pulling, moment loads, vibration, impact, etc., on fittings or tubing. This will cause damage to fittings and will crush, burst, or release tubing.
  - Do not lift the product by the piping after the tube is connected. Doing so may result in damage to the One-touch fitting. For details, refer to the “Handling Precautions for SMC Products” on the SMC website: <https://www.smc.eu>

## Safety Instructions

These safety instructions are intended to prevent hazardous situations and/or equipment damage. These instructions indicate the level of potential hazard with the labels of “Caution,” “Warning” or “Danger.” They are all important notes for safety and must be followed in addition to International Standards (ISO/IEC)<sup>1)</sup>, and other safety regulations.

-  **Caution:** **Caution** indicates a hazard with a low level of risk which, if not avoided, could result in minor or moderate injury.
-  **Warning:** **Warning** indicates a hazard with a medium level of risk which, if not avoided, could result in death or serious injury.
-  **Danger:** **Danger** indicates a hazard with a high level of risk which, if not avoided, will result in death or serious injury.

- 1) ISO 4414: Pneumatic fluid power – General rules relating to systems.  
ISO 4413: Hydraulic fluid power – General rules relating to systems.  
IEC 60204-1: Safety of machinery – Electrical equipment of machines.  
(Part 1: General requirements)  
ISO 10218-1: Manipulating industrial robots - Safety.  
etc.

## Warning

### 1. The compatibility of the product is the responsibility of the person who designs the equipment or decides its specifications.

Since the product specified here is used under various operating conditions, its compatibility with specific equipment must be decided by the person who designs the equipment or decides its specifications based on necessary analysis and test results. The expected performance and safety assurance of the equipment will be the responsibility of the person who has determined its compatibility with the product. This person should also continuously review all specifications of the product referring to its latest catalogue information, with a view to giving due consideration to any possibility of equipment failure when configuring the equipment.

### 2. Only personnel with appropriate training should operate machinery and equipment.

The product specified here may become unsafe if handled incorrectly. The assembly, operation and maintenance of machines or equipment including our products must be performed by an operator who is appropriately trained and experienced.

### 3. Do not service or attempt to remove product and machinery/equipment until safety is confirmed.

1. The inspection and maintenance of machinery/equipment should only be performed after measures to prevent falling or runaway of the driven objects have been confirmed.
2. When the product is to be removed, confirm that the safety measures as mentioned above are implemented and the power from any appropriate source is cut, and read and understand the specific product precautions of all relevant products carefully.
3. Before machinery/equipment is restarted, take measures to prevent unexpected operation and malfunction.

### 4. Contact SMC beforehand and take special consideration of safety measures if the product is to be used in any of the following conditions.

1. Conditions and environments outside of the given specifications, or use outdoors or in a place exposed to direct sunlight.
2. Installation on equipment in conjunction with atomic energy, railways, air navigation, space, shipping, vehicles, military, medical treatment, combustion and recreation, or equipment in contact with food and beverages, emergency stop circuits, clutch and brake circuits in press applications, safety equipment or other applications unsuitable for the standard specifications described in the product catalogue.
3. An application which could have negative effects on people, property, or animals requiring special safety analysis.
4. Use in an interlock circuit, which requires the provision of double interlock for possible failure by using a mechanical protective function, and periodical checks to confirm proper operation.

## Caution

### 1. The product is provided for use in manufacturing industries.

The product herein described is basically provided for peaceful use in manufacturing industries.

If considering using the product in other industries, consult SMC beforehand and exchange specifications or a contract if necessary. If anything is unclear, contact your nearest sales branch.

## Limited warranty and Disclaimer/Compliance Requirements

The product used is subject to the following “Limited warranty and Disclaimer” and “Compliance Requirements”. Read and accept them before using the product.

### Limited warranty and Disclaimer

1. The warranty period of the product is 1 year in service or 1.5 years after the product is delivered, whichever is first.<sup>2)</sup> Also, the product may have specified durability, running distance or replacement parts. Please consult your nearest sales branch.
  2. For any failure or damage reported within the warranty period which is clearly our responsibility, a replacement product or necessary parts will be provided. This limited warranty applies only to our product independently, and not to any other damage incurred due to the failure of the product.
  3. Prior to using SMC products, please read and understand the warranty terms and disclaimers noted in the specified catalogue for the particular products.
- 2) Vacuum pads are excluded from this 1 year warranty.  
A vacuum pad is a consumable part, so it is warranted for a year after it is delivered. Also, even within the warranty period, the wear of a product due to the use of the vacuum pad or failure due to the deterioration of rubber material are not covered by the limited warranty.

### Compliance Requirements

1. The use of SMC products with production equipment for the manufacture of weapons of mass destruction (WMD) or any other weapon is strictly prohibited.
2. The exports of SMC products or technology from one country to another are governed by the relevant security laws and regulations of the countries involved in the transaction. Prior to the shipment of a SMC product to another country, assure that all local rules governing that export are known and followed.

## Caution

### SMC products are not intended for use as instruments for legal metrology.

Measurement instruments that SMC manufactures or sells have not been qualified by type approval tests relevant to the metrology (measurement) laws of each country. Therefore, SMC products cannot be used for business or certification ordained by the metrology (measurement) laws of each country.

## Safety Instructions

Be sure to read “Handling Precautions for SMC Products” (M-E03-3) before using.

## SMC Corporation (Europe)

<b>Austria</b>	+43 (0)2262622800	www.smc.at	office@smc.at
<b>Belgium</b>	+32 (0)33551464	www.smc.be	info@smc.be
<b>Bulgaria</b>	+359 (0)2807670	www.smc.bg	office@smc.bg
<b>Croatia</b>	+385 (0)13707288	www.smc.hr	office@smc.hr
<b>Czech Republic</b>	+420 541424611	www.smc.cz	office@smc.cz
<b>Denmark</b>	+45 70252900	www.smc.dk.com	smc@smcdk.com
<b>Estonia</b>	+372 651 0370	www.smcee.ee	info@smcee.ee
<b>Finland</b>	+358 207513513	www.smc.fi	smcfi@smc.fi
<b>France</b>	+33 (0)164761000	www.smc-france.fr	supportclient@smc-france.fr
<b>Germany</b>	+49 (0)61034020	www.smc.de	info@smc.de
<b>Greece</b>	+30 210 2717265	www.smchellas.gr	sales@smchellas.gr
<b>Hungary</b>	+36 23513000	www.smc.hu	office@smc.hu
<b>Ireland</b>	+353 (0)14039000	www.smcautomation.ie	sales@smcautomation.ie
<b>Italy</b>	+39 03990691	www.smcitalia.it	mailbox@smcitalia.it
<b>Latvia</b>	+371 67817700	www.smc.lv	info@smc.lv



<b>Lithuania</b>	+370 5 2308118	www.smclt.lt	info@smclt.lt
<b>Netherlands</b>	+31 (0)205318888	www.smc.nl	info@smc.nl
<b>Norway</b>	+47 67129020	www.smc-norge.no	post@smc-norge.no
<b>Poland</b>	+48 222119600	www.smc.pl	office@smc.pl
<b>Portugal</b>	+351 214724500	www.smc.eu	apoioclientept@smc.smces.es
<b>Romania</b>	+40 213205111	www.smcromania.ro	smcromania@smcromania.ro
<b>Russia</b>	+7 (812)3036600	www.smc.eu	sales@smcru.com
<b>Slovakia</b>	+421 (0)413213212	www.smc.sk	office@smc.sk
<b>Slovenia</b>	+386 (0)73885412	www.smc.si	office@smc.si
<b>Spain</b>	+34 945184100	www.smc.eu	post@smc.smces.es
<b>Sweden</b>	+46 (0)86031240	www.smc.nu	smc@smc.nu
<b>Switzerland</b>	+41 (0)523963131	www.smc.ch	info@smc.ch
<b>Turkey</b>	+90 212 489 0 440	www.smcturkey.com.tr	satis@smcturkey.com.tr
<b>UK</b>	+44 (0)845 121 5122	www.smc.uk	sales@smc.uk
<b>South Africa</b>	+27 10 900 1233	www.smcza.co.za	zasales@smcza.co.za