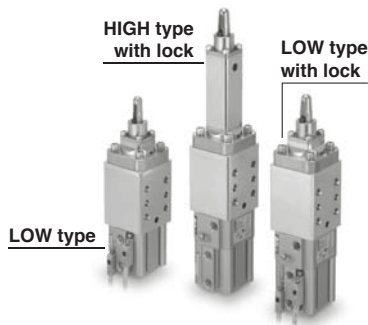


# Pin Clamp Cylinders

Ø 32

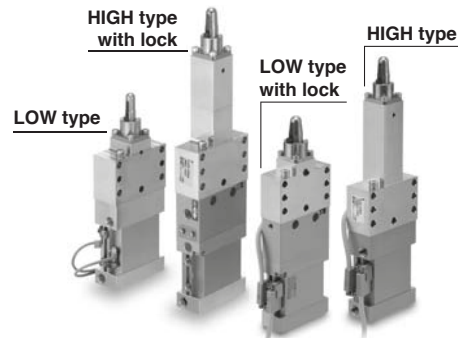
## Compact Cylinder Type C(L)KQG32

- Magnetic field resistant auto switch and small auto switch mountable
- The clamping height can be selected.
  - LOW type (-X2081)
  - HIGH type (-X2082)



## Plate Cylinder Type C(L)KU32

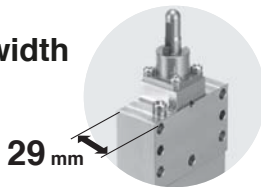
- Magnetic field resistant auto switch and small auto switch mountable
- The clamping height can be selected.
  - LOW type (-X2321)
  - HIGH type (-X2322)



### ■ Ø 32 pin clamp cylinder available

- Compact design makes it applicable to a broad range of workpieces.
- Contributes to a lightweight jig.

### ■ 29 mm width

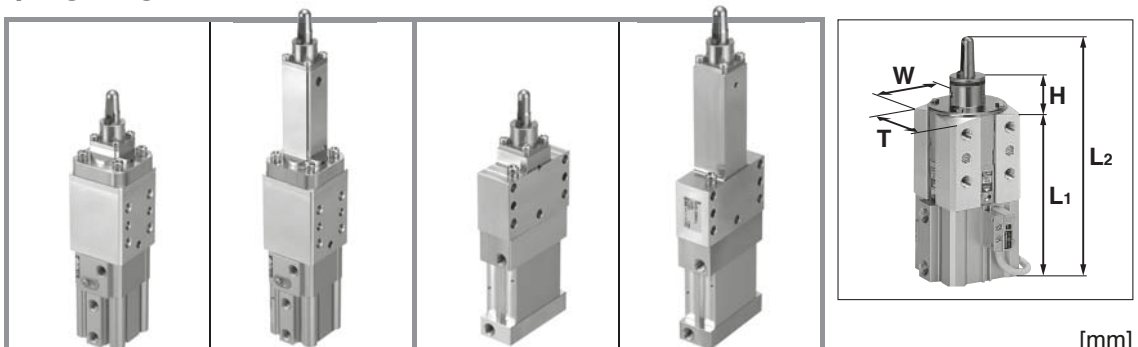


### ■ All types with lock

- Holds a workpiece during emergency stops.

### ■ Guide pins and a diamond shape option (available for Ø 10 or more) for workpieces with Ø 9, Ø 11 and Ø 13 hole diameters

### ■ 2 types of clamping heights can be selected. Height: 30 mm (LOW type), 100 mm (HIGH type)



Model	C(L)KQG32 Compact cylinder type (Guide pin diameter: Ø 12)		C(L)KU32 Plate cylinder type (Guide pin diameter: Ø 12)		C(L)KQG50 (Guide pin diameter: Ø 13)	
	LOW type	HIGH type	LOW type	HIGH type	LOW type	HIGH type
Clamping height H	30	100	30	100	24	54
Body thickness T	50		29		66	
Body width W	50		70		66	
Body length L1	127 (159)		132.5 (160)		147.5 (182.5)	
Overall length L2	183 (215)	253 (295)	118.5 (216)	258.5 (286)	204.5 (239.5)	234.5 (269.5)
Weight [g]	900 (1140)	1110 (1350)	740 (950)	910 (1120)	1670 (2190)	1840 (2350)

\* Values in ( ) for specification with lock

## C(L)KQG32/C(L)KU32 Series



09-EU553-A-UK

# Pin Clamp Cylinders

## C(L)KQG32/C(L)KU32 Series

### ■ Added diamond type to guide pin shapes.

- Applicable hole diameter of workpiece for  $\varnothing 10$  to  $\varnothing 20$

### ■ Fine adjustment of the clamping height is possible with shims.

(Order shim separately. Refer to page 16.)

### ■ Lock mechanism to prevent dropping of workpiece during emergency stops

### ■ Magnetic field resistant auto switch and small auto switch available

Corresponding model/C(L)KQG32 type  
(-X2081, -X2082)

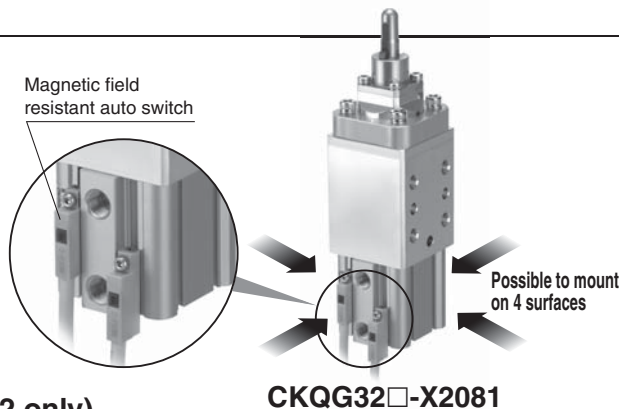
- Magnetic field resistant auto switch: D-P3DWA□, D-P4DW□
- Solid state auto switch\*: D-M9□V, D-M9□WV
- Reed auto switch\*: D-A9□

\* Cannot be used under strong magnetic field.

Corresponding model/C(L)KU32 type (-X2321, -X2322 only)

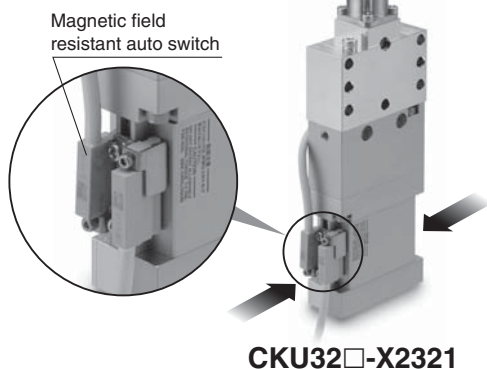
- Magnetic field resistant auto switch: D-P3DWA□
- Solid state auto switch\*: D-M9□V, D-M9□WV
- Reed auto switch\*: D-A73, D-A79W

\* Cannot be used under strong magnetic field.

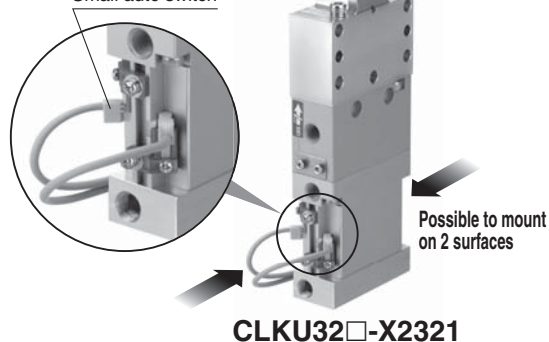


#### Magnetic field resistant auto switch available

Mounting workability improved by changing the auto switch structure



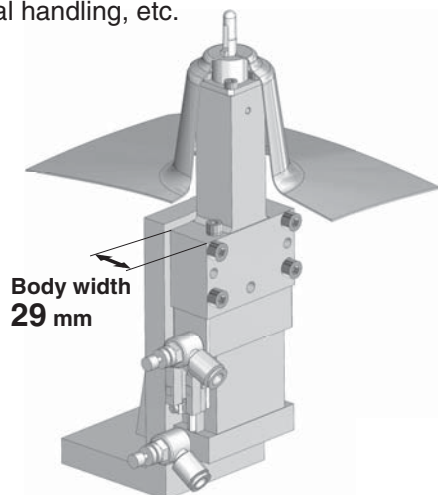
#### Small auto switch



## Application Examples

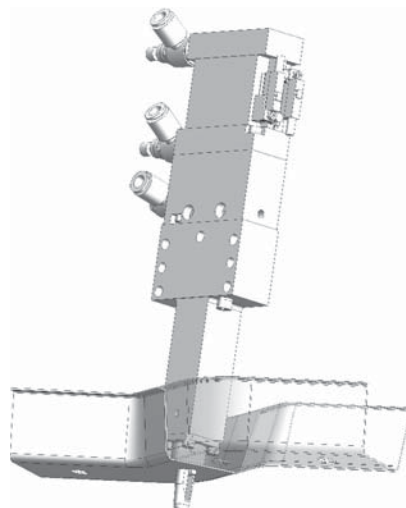
### CKU32 (Plate cylinder type)

- Compatible with installing in narrow spaces
- For clamping small and lightweight workpiece and material handling, etc.



### CLKU32 (Plate cylinder type with lock)

- Unclamp direction locking
- Drop prevention for workpiece during emergency stops



# Pin Clamp Cylinder Compact Cylinder Type

# C(L)KQG32 Series

∅ 32

## How to Order

**Clamping height LOW type** C L KQG B 32-075 R A L - P3DWASC -X2081

**Clamping height HIGH type** C L KQG B 32-075 R A H - M9BW -X2082

**With lock**  
 — Without lock  
 L With lock

**Bore size**  
 32 32 mm

**Guide pin diameter**  
 \* For guide pin diameter, refer to page 3.

**Guide pin shape**  
 R Round type  
 D Diamond type

**Mounting surface position (viewed from top)**

Symbol	Mounting surface position
A	
B	
C	
D	

**Auto switch type**  
 — Without auto switch

**Number of auto switches**

—	2 pcs.
S	1 pc. (Unclamping side)

\* Refer to the table below for the applicable auto switch model.  
 \* Auto switches are shipped together, (but not assembled).  
 \* Refer to the table below for the applicable auto switches.  
 \* When the total thickness of clamped workpiece is over 2 mm, the auto switch may not be adjusted to the most sensitive position.  
 \* Secure the minimum bending radius of the auto switch lead wire before use (Refer to page 17).

**Clamp arm position (clockwise viewed from top)**

Symbol	Clamp arm position	Symbol	Clamp arm position
A	Same as the port side 	C	180° from the port side 
B	90° from the port side 	D	270° from the port side 

## Auto Switch Models:

### Magnetic Field Resistant Auto Switches

Type	Auto switch model	Applicable magnetic field	Electrical entry	Indicator light	Wiring (Pin no. in use)	Load voltage	Lead wire length	Applicable load
Solid state auto switch	P3DWASC	AC magnetic field (Single-phase AC welding magnetic field)	Pre-wired connector	2-colour	2-wire (3-4)	24 VDC	0.3 m	Relay, PLC (Note 1)
	P3DWASE				2-wire (1-4)			
	P3DWA		Grommet		2-wire		0.5 m	
	P3DWAL						3 m	
	P3DWAZ		Pre-wired connector		2-wire (3-4)		5 m	
	P4DWSC						2-wire (1-4)	
	P4DWSE		Grommet		2-wire		3 m	
	P4DWL						5 m	
P4DWZ								

Note 1) PLC: Programmable Logic Controller Note 2) There are applicable auto switches other than the listed above. For details, refer to the table below.

### Small Auto Switches ⚠ Small auto switches cannot be used under a strong magnetic field.

Type	Special function	Electrical entry	Indicator light	Wiring (Output)	Load voltage		Auto switch model		Lead wire length [m]				Pre-wired connector	Applicable load		
					DC	AC	Perpendicular	In-line	0.5 (—)	1 (M)	3 (L)	5 (Z)				
Solid state auto switch	—	Grommet	Yes	3-wire (NPN)	5 V, 12 V	—	M9NV	M9N	●	●	●	○	○	IC circuit		
				3-wire (PNP)			M9PV	M9P	●	●	●	○	○			
				2-wire	M9BV		M9B	●	●	●	○	○	—			
				3-wire (NPN)	M9NWV		M9NW	●	●	●	○	○				
	Diagnostic indication (2-colour indicator)			Water resistant (2-colour indicator)	3-wire (PNP)		5 V, 12 V	M9PWV	M9PW	●	●	●	○	○	IC circuit	
					2-wire			M9BWW	M9BW	●	●	●	○	○		
					3-wire (NPN)		5 V, 12 V	M9NAV	M9NA	○	○	●	○	○	IC circuit	
					3-wire (PNP)			M9PAV	M9PA	○	○	●	○	○		
2-wire	M9BAV	M9BA	○	○	●	○	○	—								
Reed auto switch	—	Grommet	Yes	3-wire (NPN equivalent)	—	5 V	A96V	A96	●	—	●	—	—	IC circuit	—	
				2-wire	24 V	12 V	100 V	A93V*1	A93	●	●	●	●	—	—	Relay, PLC
			No	2-wire	24 V	5 V, 12 V	100 V or less	A90V	A90	●	—	●	—	—	IC circuit	—

\*1 1 m lead wire is only applicable to the D-A93.

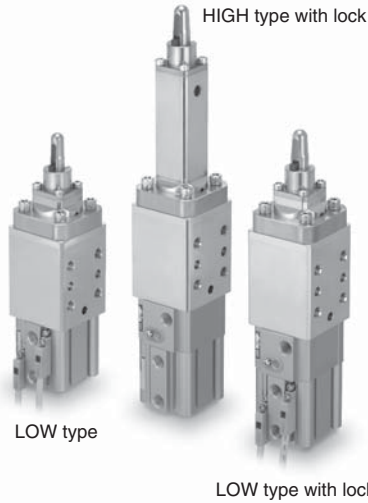
\* Solid state auto switches marked with "○" are produced upon receipt of order.

\* Auto switches and mounting brackets are shipped together, (but not assembled).

\*: Lead wire length symbols: 0.5 m.....— (Example) M9NWV  
 1 m.....M (Example) M9NWVM  
 3 m.....L (Example) M9NWVL  
 5 m.....Z (Example) M9NWVZ

# C(L)KQG32 Series

## Basic Specifications



Model		C(L)KQG32	
<b>Action</b>		Double acting	
<b>Bore size [mm]</b>		32	
<b>Cylinder stroke/Clamp stroke [mm]</b>		12.5 (Without workpiece)/10	
<b>Fluid</b>		Air	
<b>Minimum operating pressure</b>		CKQ□: 0.1 MPa   CLKQ□: 0.15 MPa*	
<b>Maximum operating pressure</b>	<b>Guide pin diameter [mm]</b>	Ø 7.5 to Ø 13.0	0.7 MPa
		Ø 13.5 to Ø 20.0	1.0 MPa
<b>Ambient and fluid temperature</b>		-10 to 60 °C (No freezing)	
<b>Cushion</b>		None	
<b>Lubrication</b>		Non-lube	
<b>Piston speed (Clamp speed)</b>		50 to 150 mm/sec	
<b>Port size (Cylinder port)</b>		Rc1/8	

\* Minimum operating pressure is 0.2 MPa when cylinder part and locking part use the same piping.

## Lock Specifications

<b>Locking action</b>	Spring locking (Exhaust locking)
<b>Unlocking pressure</b>	0.2 MPa
<b>Lock starting pressure</b>	0.05 MPa
<b>Locking direction</b>	Unclamp direction locking
<b>Port size (Lock release port)</b>	Rc1/8
<b>Holding force (Maximum static load)</b>	402 N

## Guide Pin Diameter

Symbol	075	076	077	078	079	080	085	086	087	088	089	090	095	096	097	098	099	100	105	106	107	108	109	110	
Guide pin diameter [mm]	7.5	7.6	7.7	7.8	7.9	8.0	8.5	8.6	8.7	8.8	8.9	9.0	9.5	9.6	9.7	9.8	9.9	10.0	10.5	10.6	10.7	10.8	10.9	11.0	
Applicable hole diameter of workpiece [mm]	For Ø 8					For Ø 9					For Ø 10					For Ø 11									
Guide pin shape	Round type										Round type/Diamond type														
Symbol	115	116	117	118	119	120	125	126	127	128	129	130	135	136	137	138	139	140	145	146	147	148	149	150	
Guide pin diameter [mm]	11.5	11.6	11.7	11.8	11.9	12.0	12.5	12.6	12.7	12.8	12.9	13.0	13.5	13.6	13.7	13.8	13.9	14.0	14.5	14.6	14.7	14.8	14.9	15.0	
Applicable hole diameter of workpiece [mm]	For Ø 12					For Ø 13					For Ø 14					For Ø 15									
Guide pin shape	Round type/Diamond type																								
Symbol	155	156	157	158	159	160	175	176	177	178	179	180	195	196	197	198	199	200							
Guide pin diameter [mm]	15.5	15.6	15.7	15.8	15.9	16.0	17.5	17.6	17.7	17.8	17.9	18.0	19.5	19.6	19.7	19.8	19.9	20.0							
Applicable hole diameter of workpiece [mm]	For Ø 16					For Ø 18					For Ø 20														
Guide pin shape	Round type/Diamond type																								

## Clamping Force

Model	Guide pin diameter [mm]	Operating pressure [MPa]								
		0.2	0.3	0.4	0.5	0.6	0.7	0.8	0.9	1.0
C(L)KQG32	Ø 7.5 to Ø 13.0	121	181	241	302	362	422	—	—	—
	Ø 13.5 to Ø 20.0	121	181	241	302	362	422	483	543	603

Note 1) It takes approximately 0.3 seconds for the cylinder to operate to generate clamping force from an unclamping state (when no speed controller is installed). Design circuit taking into consideration the time before the clamping force is generated.

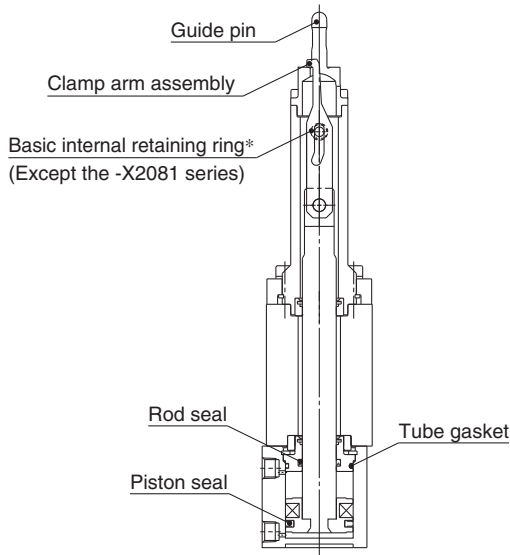
Note 2) Determine the clamping force according to the strength of the workpiece. It can be damaged if the clamping force is too large.

Note 3) Guide pins and clamp arms are consumable items. Please prepare spare parts in case they are damaged. It is recommended to prepare spare parts for guide pins and clamp arms, especially for products used in workpieces with Ø 12 or less hole diameters.

## Weight

Model	CKQG32		CLKQG32		
	-X2081	-X2082	-X2081	-X2082	
Guide pin diameter [mm]	Ø 7.5 to Ø 8.0	900	1110	1140	1350
	Ø 8.5 to Ø 9.0				
	Ø 9.5 to Ø 10.0				
	Ø 10.5 to Ø 11.0				
	Ø 11.5 to Ø 12.0	940	1150	1180	1390
	Ø 12.5 to Ø 13.0				
	Ø 13.5 to Ø 14.0				
	Ø 14.5 to Ø 15.0				
Ø 15.5 to Ø 16.0	950	1160	1190	1400	
Ø 17.5 to Ø 18.0					
Ø 19.5 to Ø 20.0					

**Replacement Parts**



CKQG□32-100R□H-X2082

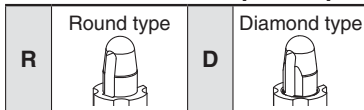
**Guide Pin Order No.**

**CKQG32X - 075 R**

Guide pin diameter

\* Refer to Table 1 (Symbol 2) below.

Guide pin shape



**Clamp Arm Assembly Order No.**

**CKQG32X - 08 B**

Applicable hole diameter of workpiece

\* Refer to Table 1 (Symbol 1) below.

Clamp arm assembly

\* The clamp arm includes a basic internal retaining ring.

**Seal Kit (For type without lock only)**

Kit no.	Contents
CQ2B32-PS	① Piston seal ② Rod seal ③ Tube gasket

\* Seal kit includes ①, ②, ③. Since the seal kit does not include a grease pack, order the "Grease Pack" below separately.

\* CLKQ cannot be disassembled and therefore no seal kit is available.

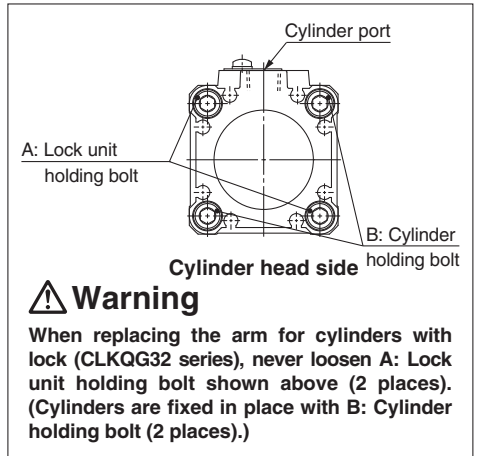
**Grease Pack**

Kit no.	Contents
GR-S-010	Grease 10 g

\* Please consult with SMC when replacing the actuating cylinders.

**Shim (Option)**

Refer to page 16 for details about part numbers and dimensions.



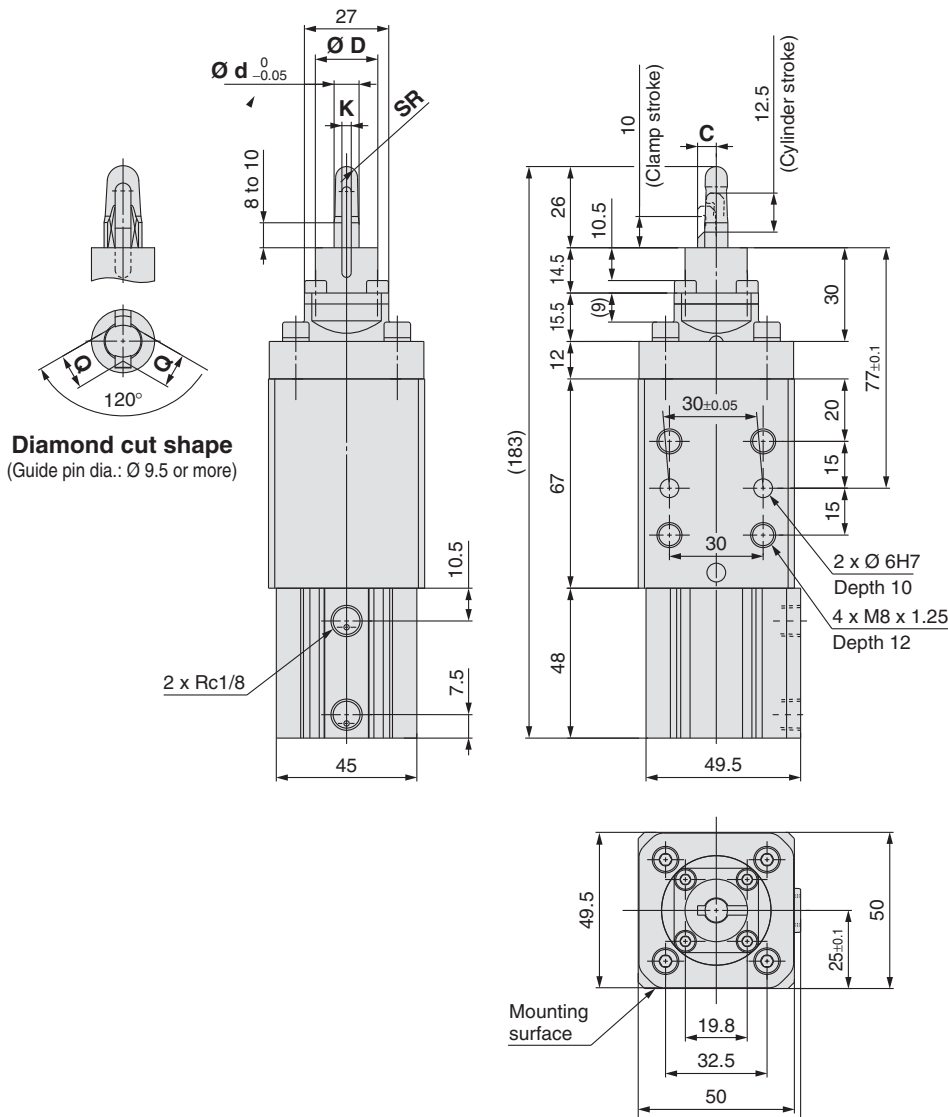
**Table 1. Guide Pin Diameter/Applicable Hole Diameter of Workpiece**

Symbol 1	Applicable hole diameter of workpiece	Symbol 2	Guide pin diameter	Shape	Symbol 1	Applicable hole diameter of workpiece	Symbol 2	Guide pin diameter	Shape	Symbol 1	Applicable hole diameter of workpiece	Symbol 2	Guide pin diameter	Shape
08	8	075	7.5	Round type	12	12	115	11.5	Round type	16	16	155	15.5	Round type
		076	7.6				116	11.6				156	15.6	
		077	7.7				117	11.7				157	15.7	
		078	7.8				118	11.8				158	15.8	
		079	7.9				119	11.9				159	15.9	
		080	8.0				120	12.0				160	16.0	
09	9	085	8.5	Round type	13	13	125	12.5	Round type	18	18	175	17.5	Diamond type
		086	8.6				126	12.6				176	17.6	
		087	8.7				127	12.7				177	17.7	
		088	8.8				128	12.8				178	17.8	
		089	8.9				129	12.9				179	17.9	
		090	9.0				130	13.0				180	18.0	
10	10	095	9.5	Round type	14	14	135	13.5	Diamond type	20	20	195	19.5	
		096	9.6				136	13.6				196	19.6	
		097	9.7				137	13.7				197	19.7	
		098	9.8				138	13.8				198	19.8	
		099	9.9				139	13.9				199	19.9	
		100	10.0				140	14.0				200	20.0	
11	11	105	10.5	Diamond type	15	15	145	14.5				145	14.5	
		106	10.6				146	14.6				146	14.6	
		107	10.7				147	14.7				147	14.7	
		108	10.8				148	14.8				148	14.8	
		109	10.9				149	14.9				149	14.9	
		110	11.0				150	15.0				150	15.0	

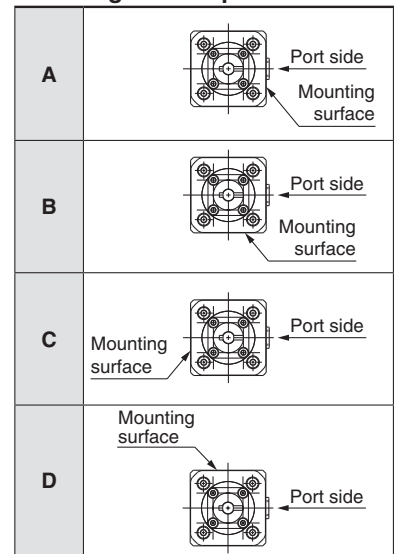
# C(L)KQG32 Series

## Dimensions

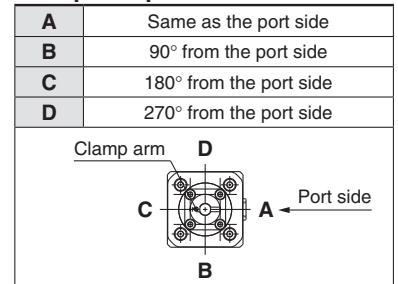
**CKQG□32 (Clamping height LOW type)** \* The figures below indicate the CKQGB32-□RCL-X2081.



### Mounting surface position



### Clamp arm position



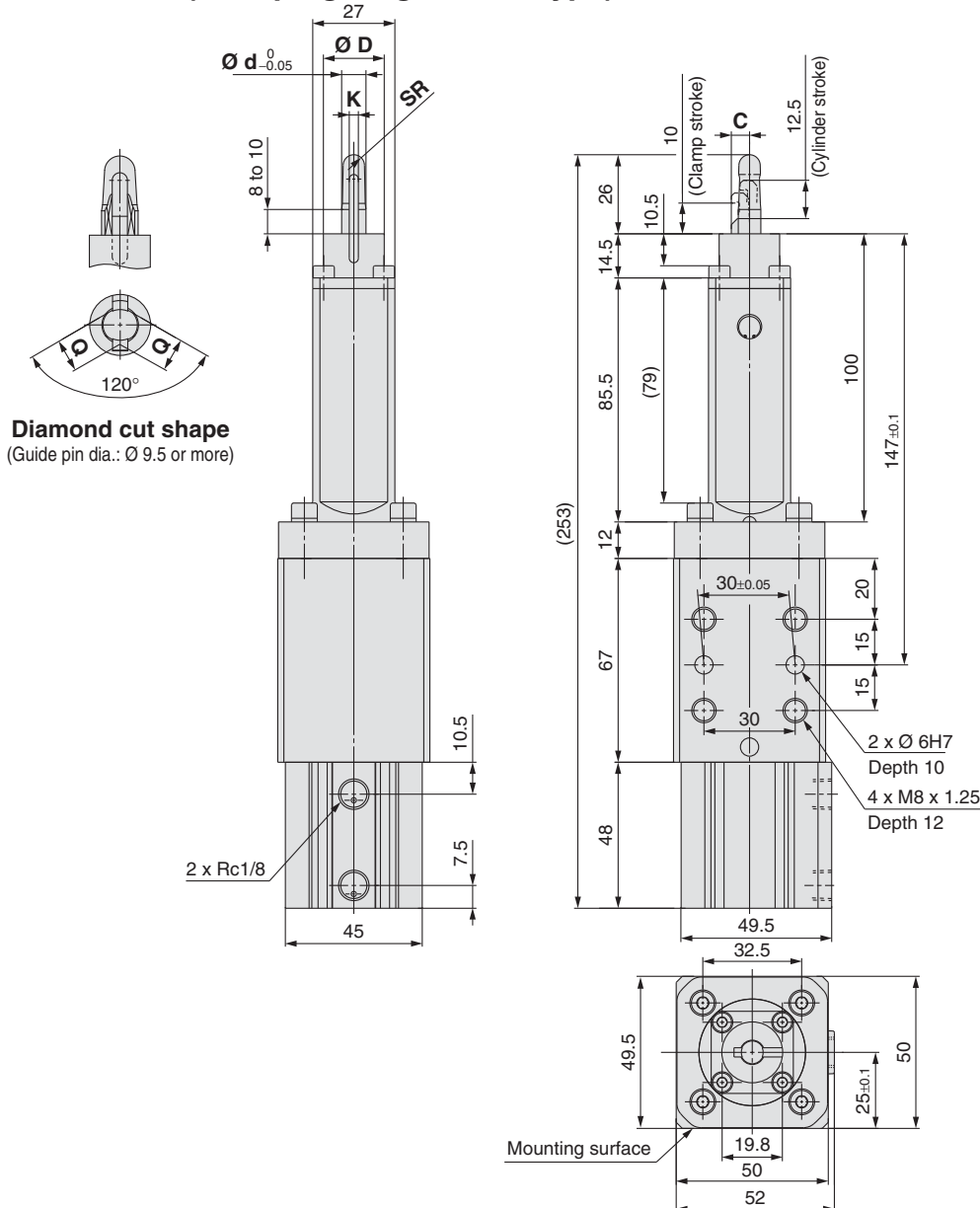
Hole diameter of workpiece	C	D	d	K	SR	Q	Model number
Ø 8	6	20	7.5	3.5	3.5	—	075
			7.6				076
			7.7				077
			7.8				078
			7.9				079
			8.0				080
Ø 9	6.5	20	8.5	4	4	—	085
			8.6				086
			8.7				087
			8.8				088
			8.9				089
			9.0				090
Ø 10	7.5	20	9.5	4	4.5	9.2	095
			9.6				096
			9.7				097
			9.8				098
			9.9				099
			10.0				100
Ø 11	7.5	20	10.5	4	4.5	9.8	105
			10.6				106
			10.7				107
			10.8				108
			10.9				109
			11.0				110

Hole diameter of workpiece	C	D	d	K	SR	Q	Model number
Ø 12	8.5	20	11.5	5	5	10.9	115
			11.6				116
			11.7				117
			11.8				118
			11.9				119
			12.0				120
Ø 13	8.5	20	12.5	5	5.5	11.6	125
			12.6				126
			12.7				127
			12.8				128
			12.9				129
			13.0				130
Ø 14	10.5	25	13.5	6	5.5	12.6	135
			13.6				136
			13.7				137
			13.8				138
			13.9				139
			14.0				140
Ø 15	10.5	25	14.5	6	6	13.3	145
			14.6				146
			14.7				147
			14.8				148
			14.9				149
			15.0				150

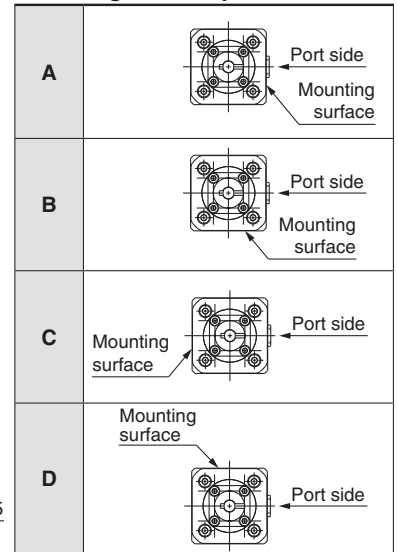
Hole diameter of workpiece	C	D	d	K	SR	Q	Model number
Ø 16	11.5	25	15.5	6	6.5	14.3	155
			15.6				156
			15.7				157
			15.8				158
			15.9				159
			16.0				160
Ø 18	13	27	17.5	6	7.5	16.4	175
			17.6				176
			17.7				177
			17.8				178
			17.9				179
			18.0				180
Ø 20	13	27	19.5	6	8	17.2	195
			19.6				196
			19.7				197
			19.8				198
			19.9				199
			20.0				200

**Dimensions**

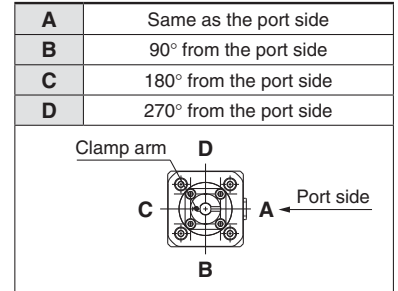
**CKQG□32 (Clamping height HIGH type)** \* The figures below indicate the CKQGB32-□RCH-X2082.



**Mounting surface position**



**Clamp arm position**



Hole diameter of workpiece	C	D	d	K	SR	Q	Model number
Ø 8	6	20	7.5	3.5	3.5	—	075
			7.6				076
			7.7				077
			7.8				078
			7.9				079
			8.0				080
Ø 9	6.5	20	8.5	4	4	—	085
			8.6				086
			8.7				087
			8.8				088
			8.9				089
			9.0				090
Ø 10	7.5	20	9.5	4	4.5	9.2	095
			9.6				096
			9.7				097
			9.8				098
			9.9				099
			10.0				100
Ø 11	7.5	20	10.5	4	4.5	9.8	105
			10.6				106
			10.7				107
			10.8				108
			10.9				109
			11.0				110

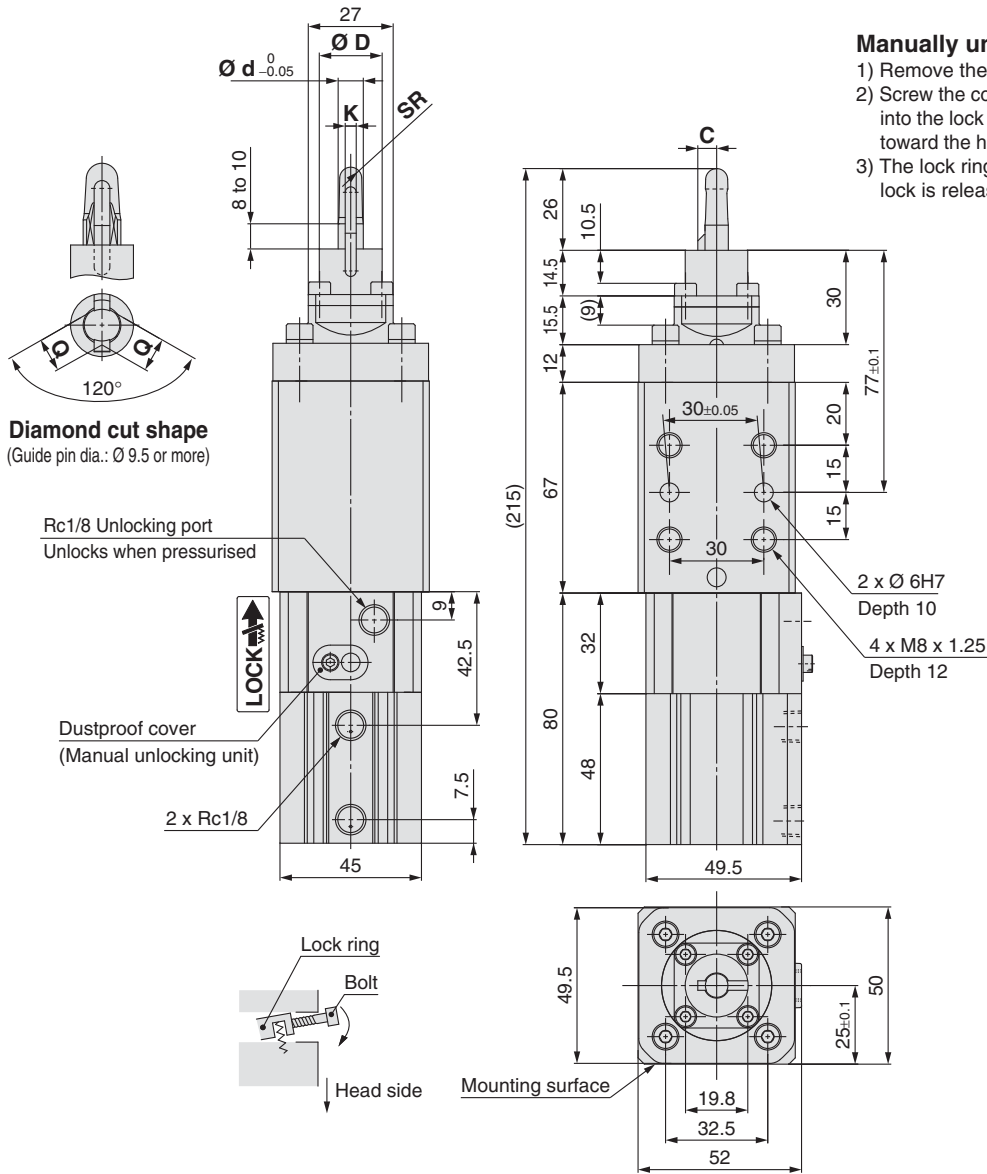
Hole diameter of workpiece	C	D	d	K	SR	Q	Model number
Ø 12	8.5	20	11.5	5	5	10.9	115
			11.6				116
			11.7				117
			11.8				118
			11.9				119
			12.0				120
Ø 13	8.5	20	12.5	5	5.5	11.6	125
			12.6				126
			12.7				127
			12.8				128
			12.9				129
			13.0				130
Ø 14	10.5	25	13.5	6	5.5	12.6	135
			13.6				136
			13.7				137
			13.8				138
			13.9				139
			14.0				140
Ø 15	10.5	25	14.5	6	6	13.3	145
			14.6				146
			14.7				147
			14.8				148
			14.9				149
			15.0				150

Hole diameter of workpiece	C	D	d	K	SR	Q	Model number
Ø 16	11.5	25	15.5	6	6.5	14.3	155
			15.6				156
			15.7				157
			15.8				158
			15.9				159
			16.0				160
Ø 18	13	27	17.5	6	7.5	16.4	175
			17.6				176
			17.7				177
			17.8				178
			17.9				179
			18.0				180
Ø 20	13	27	19.5	6	8	17.2	195
			19.6				196
			19.7				197
			19.8				198
			19.9				199
			20.0				200

# C(L)KQG32 Series

## Dimensions

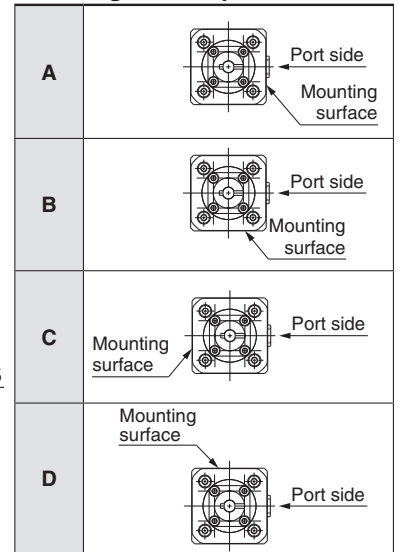
**CLKQG□32 (Clamping height LOW type)** \* The figures below indicate the CLKQGB32-□RCL-X2081.



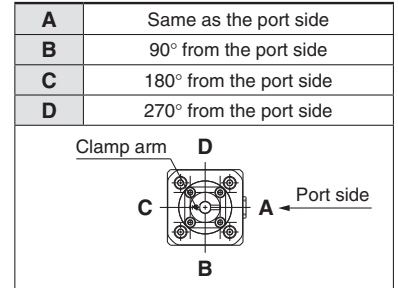
### Manually unlocking

- 1) Remove the dustproof cover.
- 2) Screw the commercially available bolt (M3 x 15 L or more) into the lock ring shown on the left and raise the lock ring toward the head side.
- 3) The lock ring and piston rod form a right angle, and the lock is released.

### Mounting surface position



### Clamp arm position



Hole diameter of workpiece	C	D	d	K	SR	Q	Model number
Ø 8	6	20	7.5	3.5	3.5	—	075
			7.6				076
			7.7				077
			7.8				078
			7.9				079
			8.0				080
Ø 9	6.5	20	8.5	4	4	—	085
			8.6				086
			8.7				087
			8.8				088
			8.9				089
			9.0				090
Ø 10	7.5	20	9.5	4	4.5	9.2	095
			9.6				096
			9.7				097
			9.8				098
			9.9				099
			10.0				100
Ø 11	7.5	20	10.5	4	4.5	9.8	105
			10.6				106
			10.7				107
			10.8				108
			10.9				109
			11.0				110

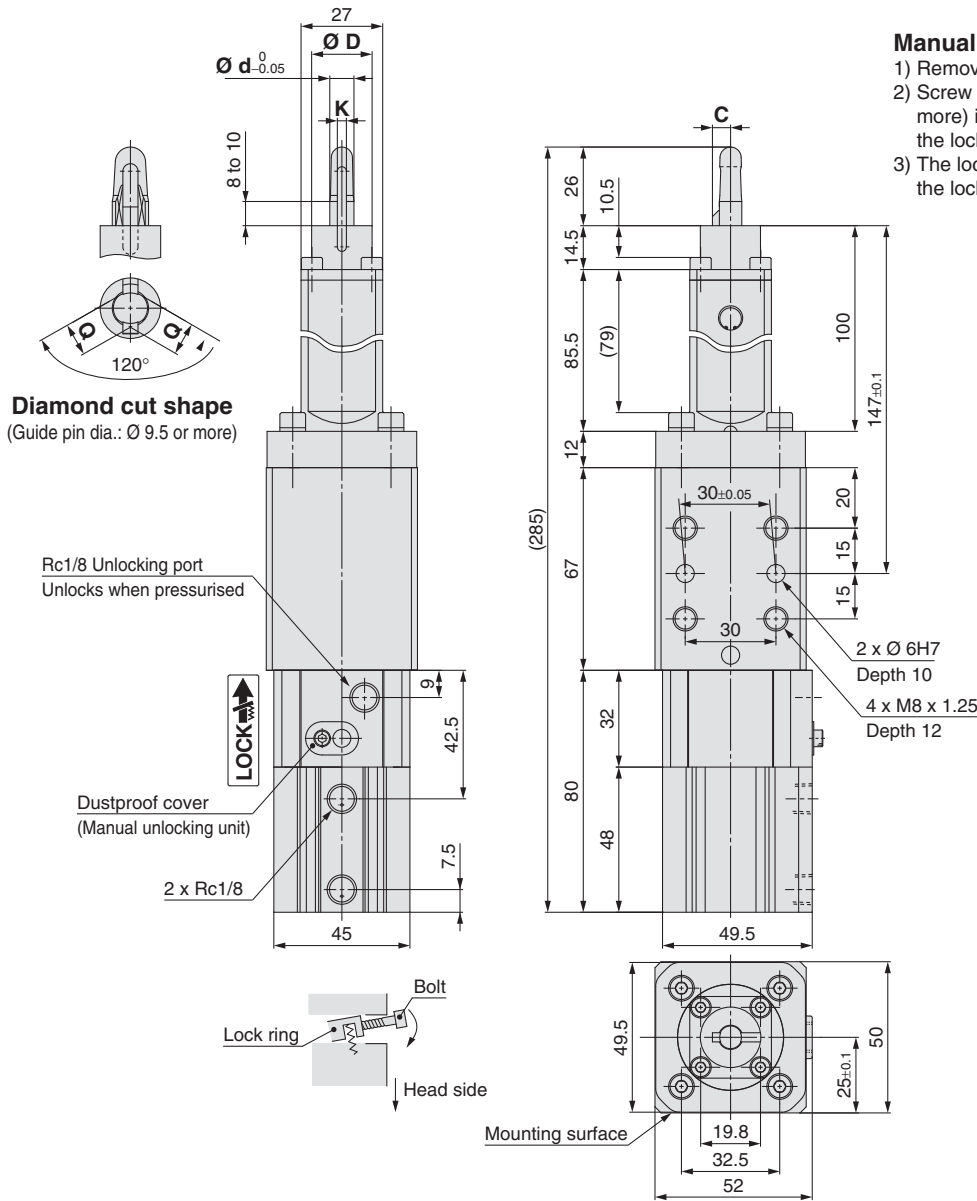
Hole diameter of workpiece	C	D	d	K	SR	Q	Model number
Ø 12	8.5	20	11.5	5	5	10.9	115
			11.6				116
			11.7				117
			11.8				118
			11.9				119
			12.0				120
Ø 13	8.5	20	12.5	5	5.5	11.6	125
			12.6				126
			12.7				127
			12.8				128
			12.9				129
			13.0				130
Ø 14	10.5	25	13.5	6	5.5	12.6	135
			13.6				136
			13.7				137
			13.8				138
			13.9				139
			14.0				140
Ø 15	10.5	25	14.5	6	6	13.3	145
			14.6				146
			14.7				147
			14.8				148
			14.9				149
			15.0				150

Hole diameter of workpiece	C	D	d	K	SR	Q	Model number
Ø 16	11.5	25	15.5	6	6.5	14.3	155
			15.6				156
			15.7				157
			15.8				158
			15.9				159
			16.0				160
Ø 18	13	27	17.5	6	7.5	16.4	175
			17.6				176
			17.7				177
			17.8				178
			17.9				179
			18.0				180
Ø 20	13	27	19.5	6	8	17.2	195
			19.6				196
			19.7				197
			19.8				198
			19.9				199
			20.0				200



**Dimensions**

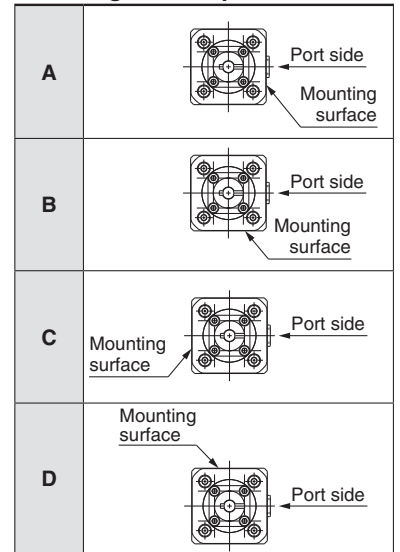
**CLKQG□32 (Clamping height HIGH type)** \* The figures below indicate the CLKQGB32-□CH-X2082.



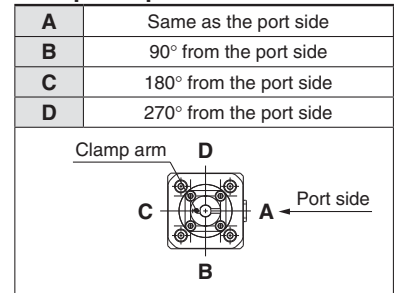
**Manually unlocking**

- 1) Remove the dustproof cover.
- 2) Screw the commercially available bolt (M3 x 15 L or more) into the lock ring shown on the left and raise the lock ring toward the head side.
- 3) The lock ring and piston rod form a right angle, and the lock is released.

**Mounting surface position**



**Clamp arm position**



Hole diameter of workpiece	C	D	d	K	SR	Q	Model number
Ø 8	6	20	7.5	3.5	3.5	—	075
			7.6				076
			7.7				077
			7.8				078
			7.9				079
			8.0				080
Ø 9	6.5	20	8.5	4	4	—	085
			8.6				086
			8.7				087
			8.8				088
			8.9				089
			9.0				090
Ø 10	7.5	20	9.5	4	4.5	9.2	095
			9.6				096
			9.7				097
			9.8				098
			9.9				099
			10.0				100
Ø 11	7.5	20	10.5	4	4.5	9.8	105
			10.6				106
			10.7				107
			10.8				108
			10.9				109
			11.0				110

Hole diameter of workpiece	C	D	d	K	SR	Q	Model number
Ø 12	8.5	20	11.5	5	5	10.9	115
			11.6				116
			11.7				117
			11.8				118
			11.9				119
			12.0				120
Ø 13	8.5	20	12.5	5	5.5	11.6	125
			12.6				126
			12.7				127
			12.8				128
			12.9				129
			13.0				130
Ø 14	10.5	25	13.5	6	5.5	12.6	135
			13.6				136
			13.7				137
			13.8				138
			13.9				139
			14.0				140
Ø 15	10.5	25	14.5	6	6	13.3	145
			14.6				146
			14.7				147
			14.8				148
			14.9				149
			15.0				150

Hole diameter of workpiece	C	D	d	K	SR	Q	Model number
Ø 16	11.5	25	15.5	6	6.5	14.3	155
			15.6				156
			15.7				157
			15.8				158
			15.9				159
			16.0				160
Ø 18	13	27	17.5	6	7.5	16.4	175
			17.6				176
			17.7				177
			17.8				178
			17.9				179
			18.0				180
Ø 20	13	27	19.5	6	8	17.2	195
			19.6				196
			19.7				197
			19.8				198
			19.9				199
			20.0				200

# Pin Clamp Cylinder Plate Cylinder Type

## Magnetic Field Resistant Auto Switch/Small Auto Switch Mounting

# C(L)KU32 Series

∅ 32

### How to Order

**Clamping height LOW type**

**Clamping height HIGH type**

**With lock**

—	Without lock
L	With lock

**Guide pin diameter**

\* For guide pin diameter, refer to Table 1 on the next page.

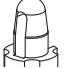
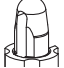
**C L KU 32 - 075 R A L - P3DWASC - X2321**

**C L KU 32 - 075 R A H - M9BWV - X2322**



**Bore size**

32 Equiv. ∅ 32 piston area

**Guide pin shape**

R	Round type	D	Diamond type
			

**Clamp arm position (viewed from top)**

Symbol	Clamp arm position	Symbol	Clamp arm position
A	Same direction as the port side 	B	Opposite direction of the port side 

**Number of auto switches**

—	2 pcs.
S	1 pc. (Unclamping side)

**Auto switch**

—	Without auto switch
---	---------------------

\* For applicable auto switches, refer to the table below.

\* Auto switches and mounting brackets are shipped together, (but not assembled).

\* For the M9□WV, A73 and A79W, when the total thickness of clamped workpiece is over 2 mm, the auto switch may not be adjusted to the most sensitive position.

**⚠ Small auto switches (D-M9□/D-A7□) cannot be used under strong magnetic field.**

### Applicable Auto Switches

#### Magnetic Field Resistant Auto Switch

Type	Auto switch model	Applicable magnetic field	Electrical entry	Indicator light	Wiring (Pin no. in use)	Load voltage	Lead wire length	Applicable load
<b>Solid state auto switch</b>	D-P3DWASC	AC magnetic field (Single-phase AC welding magnetic field)	Pre-wired connector	2-colour indicator	2-wire (3-4)	24 VDC	0.3 m	Relay, PLC <small>Note 1)</small>
	D-P3DWASE				2-wire (1-4)		0.5 m	
	D-P3DWA		2-wire		3 m			
	D-P3DWAAL				5 m			

Note 1) PLC: Programmable Logic Controller

Note 2) There are applicable auto switches other than the listed above. For details, refer to the table below.

#### Small Auto Switch

Type	Special function	Electrical entry	Indicator light	Wiring (Output)	Load voltage		Auto switch model		Lead wire length [m]				Pre-wired connector	Applicable load
					DC	AC	Perpendicular	In-line	0.5 (—)	1 (M)	3 (L)	5 (Z)		
<b>Solid state auto switch</b>	Diagnostic indication (2-colour indicator)	Grommet	Yes	3-wire (NPN)	24 V	—	—	M9NV	●	●	●	○	—	IC circuit
				3-wire (PNP)				M9PV	●	●	●	○		
				2-wire				M9BV	●	●	●	○		
				3-wire (NPN)				M9NWV	●	●	●	○		
				3-wire (PNP)				M9PWV	●	●	●	○		
				2-wire				M9BWV	●	●	●	○		
<b>Reed auto switch</b>	Diagnostic indication (2-colour indicator)	Grommet	Yes	2-wire	24 V	—	100 V	A73	●	—	●	●	—	Relay, PLC
								A79W	●	—	●	—		

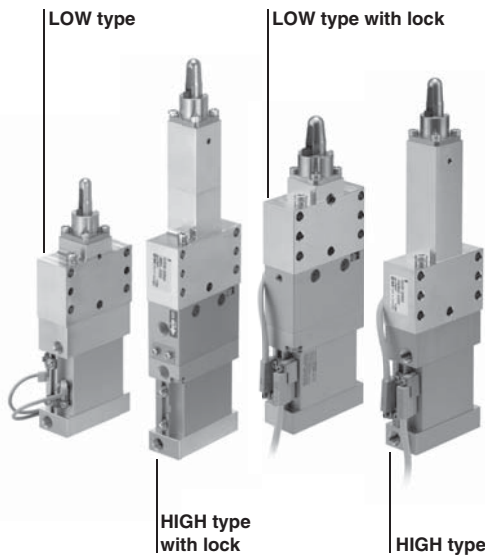
\* Solid state auto switches marked with "○" are produced upon receipt of order.

\* The D-A9□ and A9□V cannot be mounted.

\* Auto switches and mounting brackets are shipped together, (but not assembled).

# Pin Clamp Cylinder Plate Cylinder Type **C(L)KU32 Series**

Magnetic Field Resistant Auto Switch/Small Auto Switch Mounting



## Basic Specifications

Model	C(L)KU32	
Action	Double acting	
Bore size [mm]	Equivalent to 32	
Cylinder stroke/Clamp stroke [mm]	12.5 (Without workpiece)/10	
Fluid	Air	
Minimum operating pressure	CKU□: 0.1 MPa	CLKU□: 0.15 MPa*
Maximum operating pressure	0.7 MPa	
Ambient and fluid temperature	-10 to 60 °C (No freezing)	
Cushion	None	
Lubrication	Non-lube	
Piston speed (Clamp speed)	50 to 150 mm/sec	
Port size (Cylinder port)	Rc1/8	

\* Minimum operating pressure is 0.2 MPa when cylinder part and locking part use the same piping.

## Lock Specifications

Locking action	Spring locking (Exhaust locking)
Unlocking pressure	0.2 MPa
Locking pressure	0.05 MPa
Locking direction	Unclamp direction locking
Port size (Lock release port)	Rc1/8
Holding force (Maximum static load)	402 N

## Clamping Force

Model	Guide pin diameter [mm]	Operating pressure [MPa]					
		0.2	0.3	0.4	0.5	0.6	0.7
C(L)KU32	Ø 7.5 to Ø 20.0	130	195	260	325	390	455

Note 1) It takes approximately 0.3 seconds for the cylinder to operate to generate clamping force from an unclamping state (when no speed controller is installed). Design circuit taking into consideration the time before the clamping force is generated.

Note 2) Determine the clamping force according to the strength of the workpiece. It can be damaged if the clamping force is too large.

Note 3) Guide pins and clamp arms are consumable items. Please prepare spare parts in case they are damaged. It is recommended to prepare spare parts for guide pins and clamp arms, especially for products used in workpieces with Ø 12 or less hole diameters.

**Table 1. Guide Pin Diameter**

Symbol	<b>075</b>	<b>076</b>	<b>077</b>	<b>078</b>	<b>079</b>	<b>080</b>	<b>085</b>	<b>086</b>	<b>087</b>	<b>088</b>	<b>089</b>	<b>090</b>	<b>095</b>	<b>096</b>	<b>097</b>	<b>098</b>	<b>099</b>	<b>100</b>	<b>105</b>	<b>106</b>	<b>107</b>	<b>108</b>	<b>109</b>	<b>110</b>
Guide pin diameter [mm]	7.5	7.6	7.7	7.8	7.9	8.0	8.5	8.6	8.7	8.8	8.9	9.0	9.5	9.6	9.7	9.8	9.9	10.0	10.5	10.6	10.7	10.8	10.9	11.0
Applicable hole diameter of workpiece [mm]	For Ø 8				For Ø 9				For Ø 10				For Ø 11											
Guide pin shape	Round type												Round type/Diamond type											
Symbol	<b>115</b>	<b>116</b>	<b>117</b>	<b>118</b>	<b>119</b>	<b>120</b>	<b>125</b>	<b>126</b>	<b>127</b>	<b>128</b>	<b>129</b>	<b>130</b>	<b>135</b>	<b>136</b>	<b>137</b>	<b>138</b>	<b>139</b>	<b>140</b>	<b>145</b>	<b>146</b>	<b>147</b>	<b>148</b>	<b>149</b>	<b>150</b>
Guide pin diameter [mm]	11.5	11.6	11.7	11.8	11.9	12.0	12.5	12.6	12.7	12.8	12.9	13.0	13.5	13.6	13.7	13.8	13.9	14.0	14.5	14.6	14.7	14.8	14.9	15.0
Applicable hole diameter of workpiece [mm]	For Ø 12				For Ø 13				For Ø 14				For Ø 15											
Guide pin shape	Round type/Diamond type												Round type/Diamond type											
Symbol	<b>155</b>	<b>156</b>	<b>157</b>	<b>158</b>	<b>159</b>	<b>160</b>	<b>175</b>	<b>176</b>	<b>177</b>	<b>178</b>	<b>179</b>	<b>180</b>	<b>195</b>	<b>196</b>	<b>197</b>	<b>198</b>	<b>199</b>	<b>200</b>						
Guide pin diameter [mm]	15.5	15.6	15.7	15.8	15.9	16.0	17.5	17.6	17.7	17.8	17.9	18.0	19.5	19.6	19.7	19.8	19.9	20.0						
Applicable hole diameter of workpiece [mm]	For Ø 16				For Ø 18				For Ø 20															
Guide pin shape	Round type/Diamond type												Round type/Diamond type											

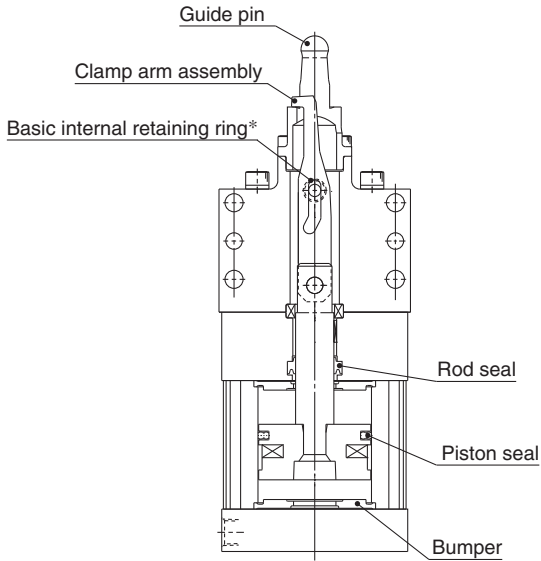
## Weight

Model		CKU32		CLKU32	
		-X2321	-X2322	-X2321	-X2322
Guide pin diameter [mm]	Ø 7.5 to Ø 8.0	740	910	950	1120
	Ø 8.5 to Ø 9.0				
	Ø 9.5 to Ø 10.0				
	Ø 10.5 to Ø 11.0				
	Ø 11.5 to Ø 12.0				
	Ø 12.5 to Ø 13.0	780	950	990	1160
	Ø 13.5 to Ø 14.0				
	Ø 14.5 to Ø 15.0				
	Ø 15.5 to Ø 16.0				
Ø 17.5 to Ø 18.0	790	960	1000	1170	
Ø 19.5 to Ø 20.0					

Unit: g

# C(L)KU32 Series

## Replacement Parts



CKU32-120R□L-X2321

### ■ Seal Kit (For type without lock only)

Kit no.	Contents
MUB32-PS	① Piston seal ② Rod seal ③ Bumper

\* Seal kit includes ①, ②, ③. Since the seal kit does not include a grease pack, order the "Grease Pack" below separately.

\* CLKU cannot be disassembled and therefore no seal kit is available.

### ■ Grease Pack

Kit no.	Contents
GR-S-010	Grease 10 g

\* Please consult with SMC when replacing the actuating cylinders.

### ■ Shim (Option)

Refer to page 16 for details about part numbers and dimensions.

### ■ Guide Pin Order No.

CKQG32X- **075** **R**

Guide pin diameter

\* Refer to Table 1 (Symbol 2) below.

Guide pin shape

R	Round type	D	Diamond type

### ■ Clamp Arm Assembly Order No.

CKQG32X- **08** **B**

Applicable hole diameter of workpiece

\* Refer to Table 1 (Symbol 1) below.

Clamp arm assembly

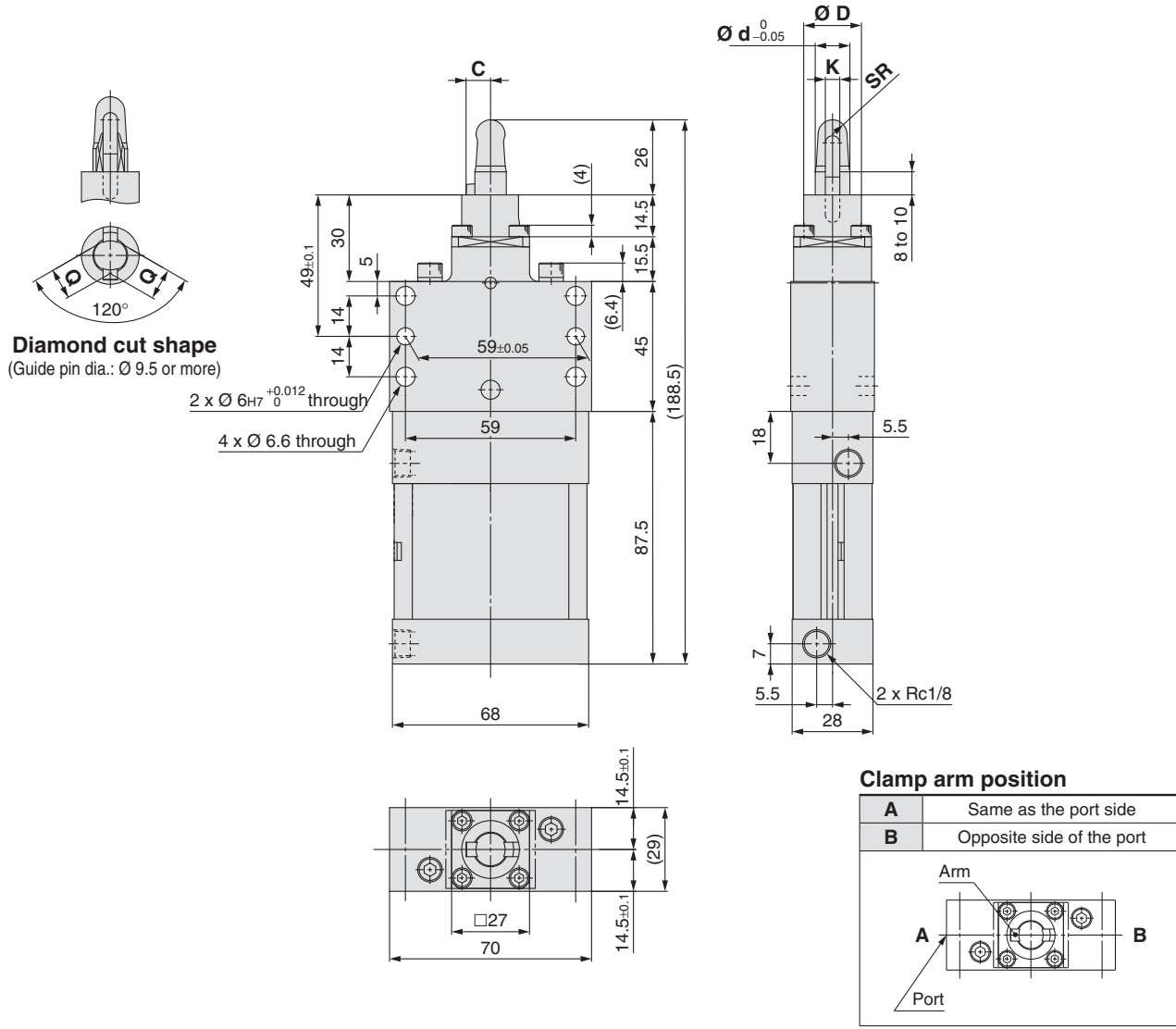
\* The clamp arm includes a basic internal retaining ring.

Table 1. Guide Pin Diameter/Applicable Hole Diameter of Workpiece

Symbol 1	Applicable hole diameter of workpiece	Symbol 2	Guide pin diameter	Shape	Symbol 1	Applicable hole diameter of workpiece	Symbol 2	Guide pin diameter	Shape	Symbol 1	Applicable hole diameter of workpiece	Symbol 2	Guide pin diameter	Shape
08	8	075	7.5	Round type	12	12	115	11.5	Round type	16	16	155	15.5	Round type
		076	7.6				116	11.6				156	15.6	
		077	7.7				117	11.7				157	15.7	
		078	7.8				118	11.8				158	15.8	
		079	7.9				119	11.9				159	15.9	
		080	8.0				120	12.0				160	16.0	
09	9	085	8.5	Round type	13	13	125	12.5	Round type	18	18	175	17.5	Diamond type
		086	8.6				126	12.6				176	17.6	
		087	8.7				127	12.7				177	17.7	
		088	8.8				128	12.8				178	17.8	
		089	8.9				129	12.9				179	17.9	
		090	9.0				130	13.0				180	18.0	
10	10	095	9.5	Round type	14	14	135	13.5	Diamond type	20	20	195	19.5	
		096	9.6				136	13.6				196	19.6	
		097	9.7				137	13.7				197	19.7	
		098	9.8				138	13.8				198	19.8	
		099	9.9				139	13.9				199	19.9	
		100	10.0				140	14.0				200	20.0	
11	11	105	10.5	Diamond type	15	15	145	14.5				195	19.5	
		106	10.6				146	14.6				196	19.6	
		107	10.7				147	14.7				197	19.7	
		108	10.8				148	14.8				198	19.8	
		109	10.9				149	14.9				199	19.9	
		110	11.0				150	15.0				200	20.0	

**Dimensions**

**CKU32 (Clamping height LOW type)** \* Refer to "How to Order" for positional relationship of the mounting surface and port.  
 \* The figures below indicate the CKU32-□RAL-X2321.



Hole diameter of workpiece	C	D	d	K	SR	Q	Model number
Ø 8	6	20	7.5	3.5	3.5	—	075
			7.6				076
			7.7				077
			7.8				078
			7.9				079
			8.0				080
Ø 9	6.5	20	8.5	4	4	—	085
			8.6				086
			8.7				087
			8.8				088
			8.9				089
			9.0				090
Ø 10	7.5	20	9.5	4	4.5	9.2	095
			9.6				096
			9.7				097
			9.8				098
			9.9				099
			10.0				100
Ø 11	7.5	20	10.5	4	4.5	9.8	105
			10.6				106
			10.7				107
			10.8				108
			10.9				109
			11.0				110

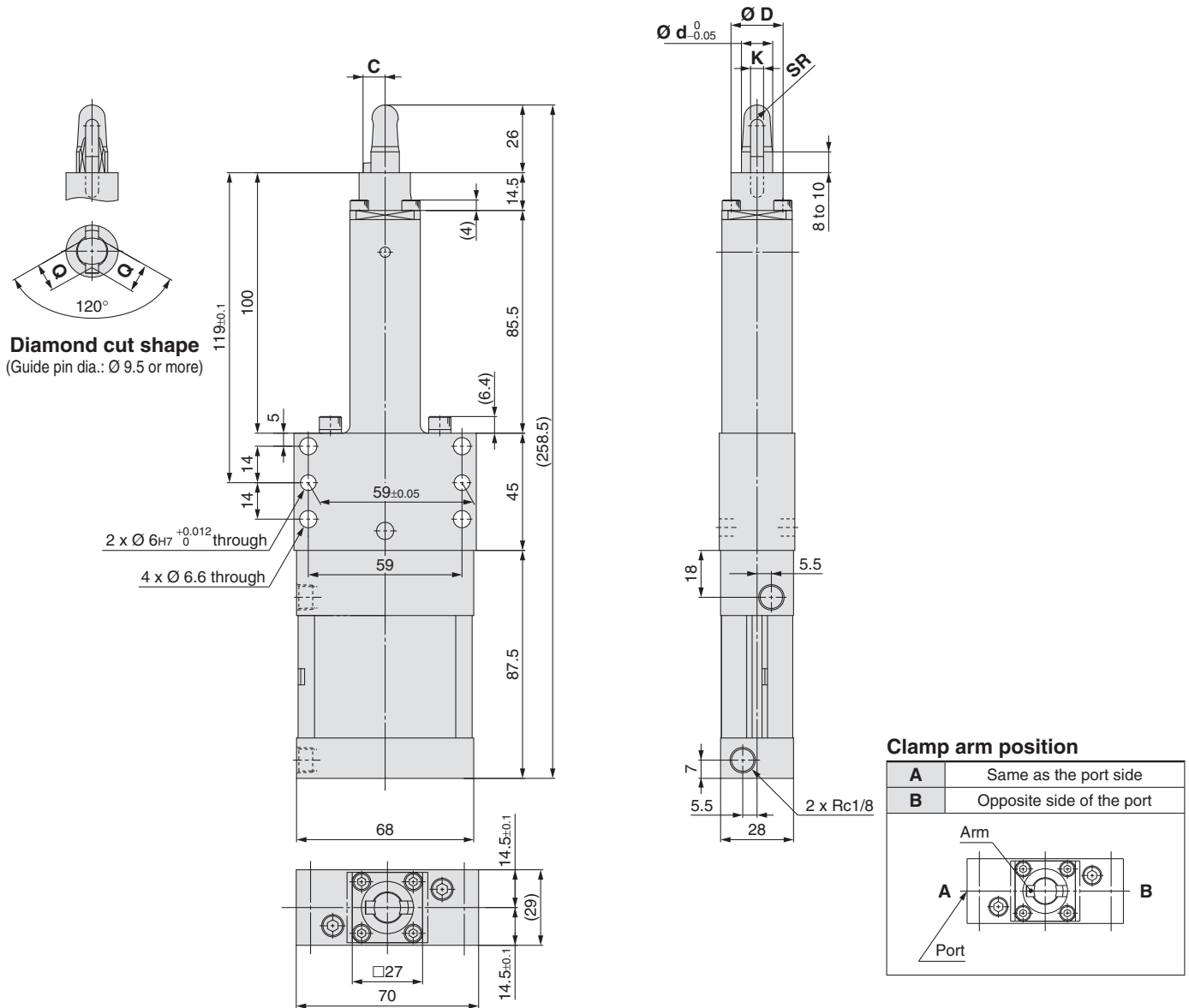
Hole diameter of workpiece	C	D	d	K	SR	Q	Model number
Ø 12	8.5	20	11.5	5	5	10.9	115
			11.6				116
			11.7				117
			11.8				118
			11.9				119
			12.0				120
Ø 13	8.5	20	12.5	5	5.5	11.6	125
			12.6				126
			12.7				127
			12.8				128
			12.9				129
			13.0				130
Ø 14	10.5	25	13.5	6	5.5	12.6	135
			13.6				136
			13.7				137
			13.8				138
			13.9				139
			14.0				140
Ø 15	10.5	25	14.5	6	6	13.3	145
			14.6				146
			14.7				147
			14.8				148
			14.9				149
			15.0				150

Hole diameter of workpiece	C	D	d	K	SR	Q	Model number
Ø 16	11.5	25	15.5	6	6.5	14.3	155
			15.6				156
			15.7				157
			15.8				158
			15.9				159
			16.0				160
Ø 18	13	27	17.5	6	7.5	16.4	175
			17.6				176
			17.7				177
			17.8				178
			17.9				179
			18.0				180
Ø 20	13	27	19.5	6	8	17.2	195
			19.6				196
			19.7				197
			19.8				198
			19.9				199
			20.0				200

# C(L)KU32 Series

## Dimensions

**CKU32 (Clamping height HIGH type)** \* Refer to "How to Order" for positional relationship of the mounting surface and port.  
 \* The figures below indicate the CKU32-□RAH-X2322.

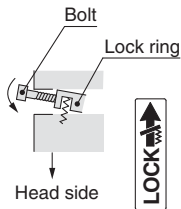
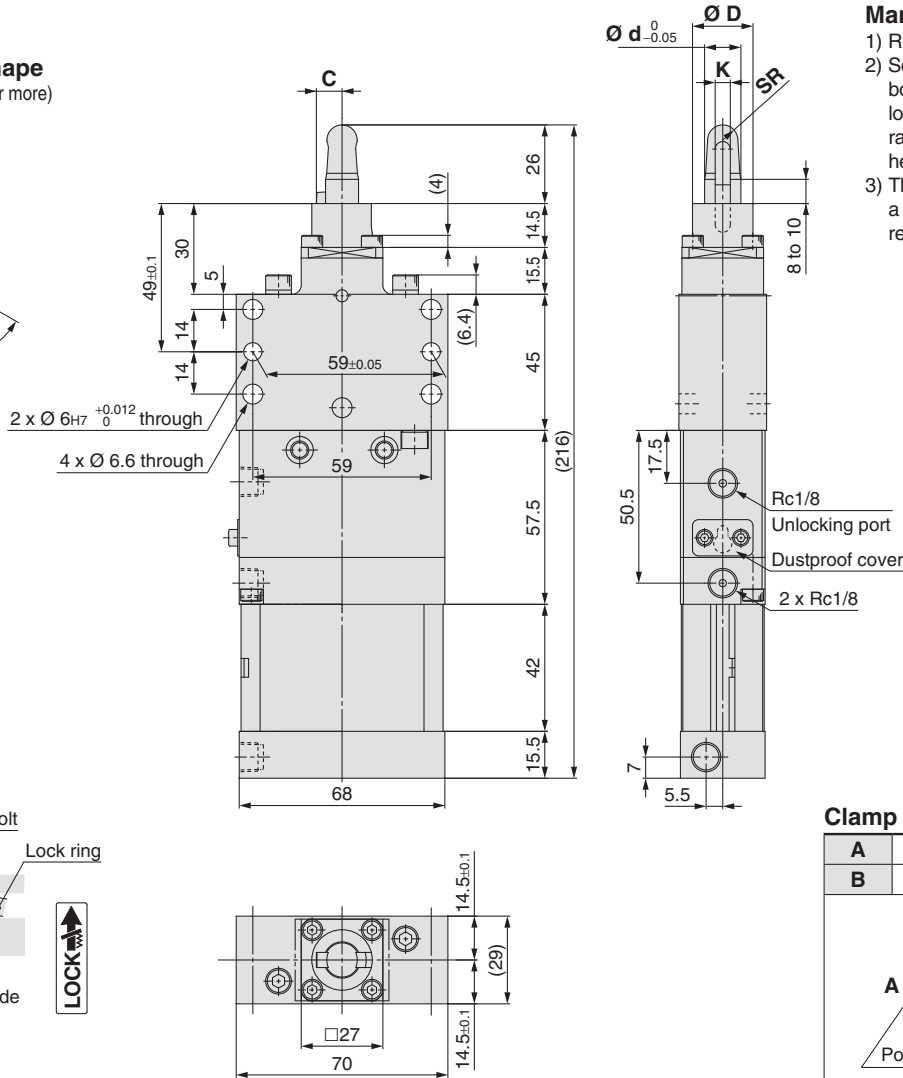
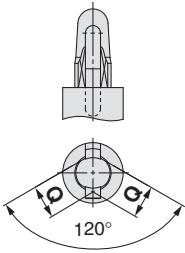


Hole diameter of workpiece	C	D	d	K	SR	Q	Model number	Hole diameter of workpiece	C	D	d	K	SR	Q	Model number	Hole diameter of workpiece	C	D	d	K	SR	Q	Model number
$\varnothing 8$	6	20	7.5	3.5	3.5	—	075	$\varnothing 12$	8.5	20	11.5	5	5	10.9	115	$\varnothing 16$	11.5	25	15.5	6	6.5	14.3	155
			7.6				116				15.6				156								
			7.7				117				15.7				157								
			7.8				118				15.8				158								
			7.9				119				15.9				159								
			8.0				120				16.0				160								
$\varnothing 9$	6.5	20	8.5	4	4	—	085	$\varnothing 13$	8.5	20	12.5	5	5.5	11.6	125	$\varnothing 18$	13	27	17.5	6	7.5	16.4	175
			8.6				126				17.6				176								
			8.7				127				17.7				177								
			8.8				128				17.8				178								
			8.9				129				17.9				179								
			9.0				130				18.0				180								
$\varnothing 10$	7.5	20	9.5	4	4.5	9.2	095	$\varnothing 14$	10.5	25	13.5	6	5.5	12.6	135	$\varnothing 20$	13	27	19.5	6	8	17.2	195
			9.6				136				19.6				196								
			9.7				137				19.7				197								
			9.8				138				19.8				198								
			9.9				139				19.9				199								
			10.0				140				20.0				200								
$\varnothing 11$	7.5	20	10.5	4	4.5	9.8	105	$\varnothing 15$	10.5	25	14.5	6	6	13.3	145								
			10.6				146				14.6				146								
			10.7				147				14.7				147								
			10.8				148				14.8				148								
			10.9				149				14.9				149								
			11.0				150				15.0				150								

**Dimensions**

**CLKU32 (Clamping height LOW type)** \* Refer to "How to Order" for positional relationship of the mounting surface and port.  
 \* The figures below indicate the CLKU32-□RAL-X2321.

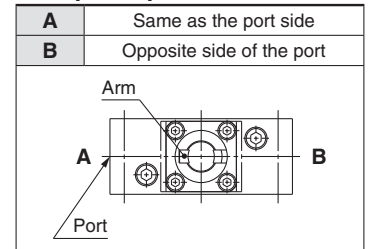
**Diamond cut shape**  
 (Guide pin dia.: Ø 11.5 or more)



**Manually unlocking**

- 1) Remove the dustproof cover.
- 2) Screw the commercially available bolt (M3 x 25 L or more) into the lock ring shown on the left and raise the lock ring toward the head side.
- 3) The lock ring and piston rod form a right angle, and the lock is released.

**Clamp arm position**



Hole diameter of workpiece	C	D	d	K	SR	Q	Model number
Ø 8	6	20	7.5	3.5	3.5	—	075
			7.6				076
			7.7				077
			7.8				078
			7.9				079
			8.0				080
Ø 9	6.5	20	8.5	4	4	—	085
			8.6				086
			8.7				087
			8.8				088
			8.9				089
			9.0				090
Ø 10	7.5	20	9.5	4	4.5	9.2	095
			9.6				096
			9.7				097
			9.8				098
			9.9				099
			10.0				100
Ø 11	7.5	20	10.5	4	4.5	9.8	105
			10.6				106
			10.7				107
			10.8				108
			10.9				109
			11.0				110

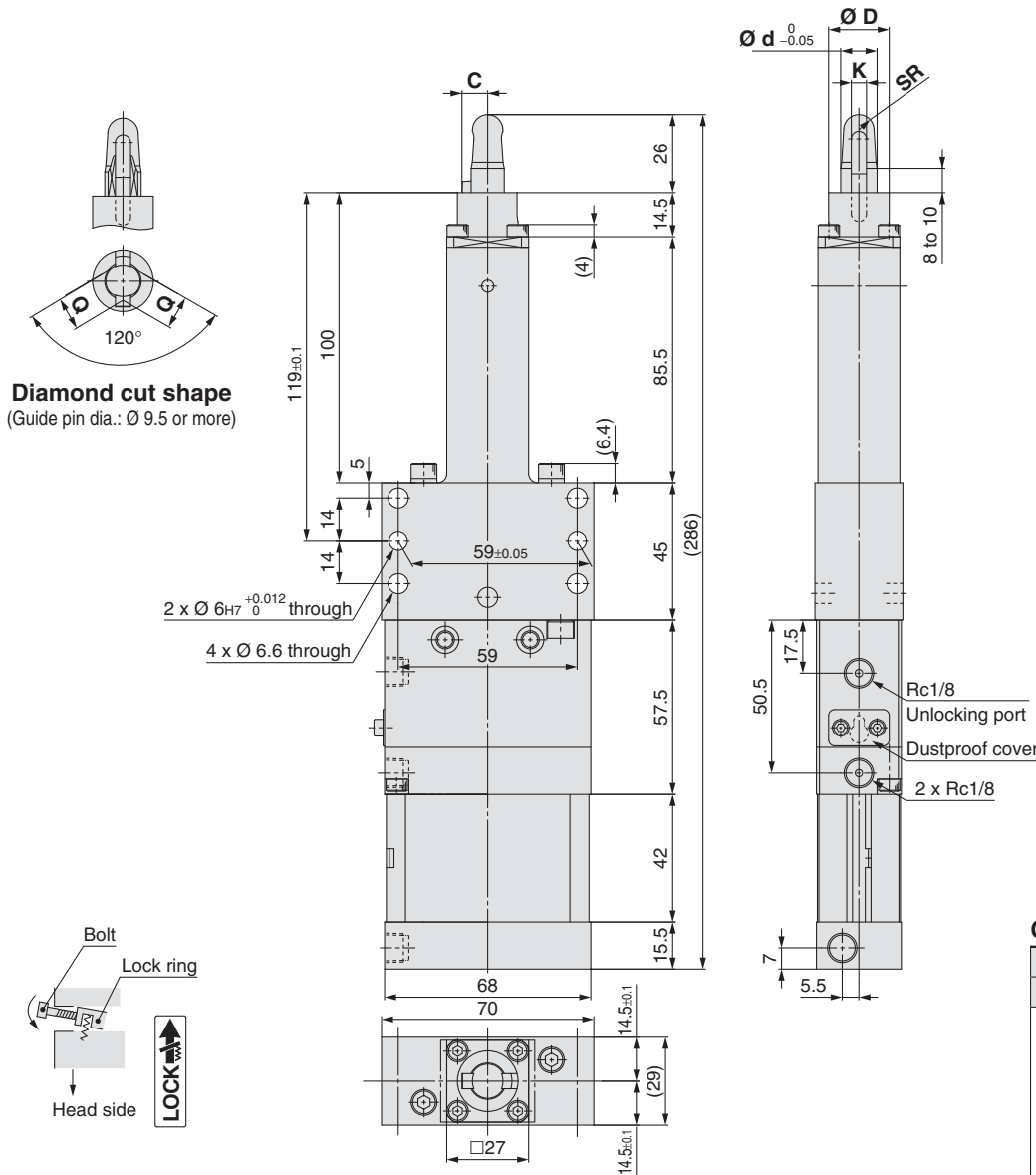
Hole diameter of workpiece	C	D	d	K	SR	Q	Model number
Ø 12	8.5	20	11.5	5	5	10.9	115
			11.6				116
			11.7				117
			11.8				118
			11.9				119
			12.0				120
Ø 13	8.5	20	12.5	5	5.5	11.6	125
			12.6				126
			12.7				127
			12.8				128
			12.9				129
			13.0				130
Ø 14	10.5	25	13.5	6	5.5	12.6	135
			13.6				136
			13.7				137
			13.8				138
			13.9				139
			14.0				140
Ø 15	10.5	25	14.5	6	6	13.3	145
			14.6				146
			14.7				147
			14.8				148
			14.9				149
			15.0				150

Hole diameter of workpiece	C	D	d	K	SR	Q	Model number
Ø 16	11.5	25	15.5	6	6.5	14.3	155
			15.6				156
			15.7				157
			15.8				158
			15.9				159
			16.0				160
Ø 18	13	27	17.5	6	7.5	16.4	175
			17.6				176
			17.7				177
			17.8				178
			17.9				179
			18.0				180
Ø 20	13	27	19.5	6	8	17.2	195
			19.6				196
			19.7				197
			19.8				198
			19.9				199
			20.0				200

# C(L)KU32 Series

## Dimensions

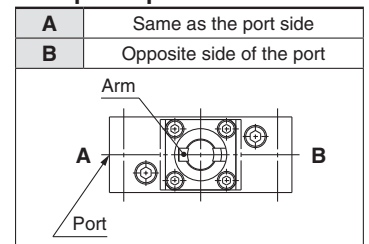
**CLKU32 (Clamping height HIGH type)** \* Refer to "How to Order" for positional relationship of the mounting surface and port.  
 \* The figures below indicate the CLKU32-□RAH-X2322.



### Manually unlocking

- 1) Remove the dustproof cover.
- 2) Screw the commercially available bolt (M3 x 25 L or more) into the lock ring shown on the left and raise the lock ring toward the head side.
- 3) The lock ring and piston rod form a right angle, and the lock is released.

### Clamp arm position



Hole diameter of workpiece	C	D	d	K	SR	Q	Model number
Ø 8	6	20	7.5	3.5	3.5	—	075
			7.6				076
			7.7				077
			7.8				078
			7.9				079
8.0	080						
Ø 9	6.5	20	8.5	4	4	—	085
			8.6				086
			8.7				087
			8.8				088
			8.9				089
9.0	090						
Ø 10	7.5	20	9.5	4	4.5	9.2	095
			9.6				096
			9.7				097
			9.8				098
			9.9				099
10.0	100						
Ø 11	7.5	20	10.5	4	4.5	9.8	105
			10.6				106
			10.7				107
			10.8				108
			10.9				109
11.0	110						

Hole diameter of workpiece	C	D	d	K	SR	Q	Model number
Ø 12	8.5	20	11.5	5	5	10.9	115
			11.6				116
			11.7				117
			11.8				118
			11.9				119
12.0	120						
Ø 13	8.5	20	12.5	5	5.5	11.6	125
			12.6				126
			12.7				127
			12.8				128
			12.9				129
13.0	130						
Ø 14	10.5	25	13.5	6	5.5	12.6	135
			13.6				136
			13.7				137
			13.8				138
			13.9				139
14.0	140						
Ø 15	10.5	25	14.5	6	6	13.3	145
			14.6				146
			14.7				147
			14.8				148
			14.9				149
15.0	150						

Hole diameter of workpiece	C	D	d	K	SR	Q	Model number
Ø 16	11.5	25	15.5	6	6.5	14.3	155
			15.6				156
			15.7				157
			15.8				158
			15.9				159
16.0	160						
Ø 18	13	27	17.5	6	7.5	16.4	175
			17.6				176
			17.7				177
			17.8				178
			17.9				179
18.0	180						
Ø 20	13	27	19.5	6	8	17.2	195
			19.6				196
			19.7				197
			19.8				198
			19.9				199
20.0	200						



# C(L)KQG32/C(L)KU32 Series Options

## Dimensions

### Shim

C(L)KQG32-X2081

LOW type

C(L)KQG32-X2082

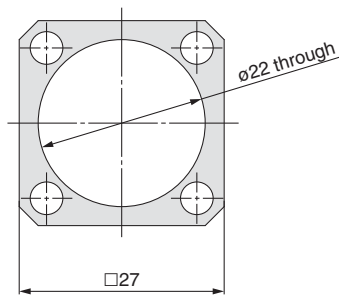
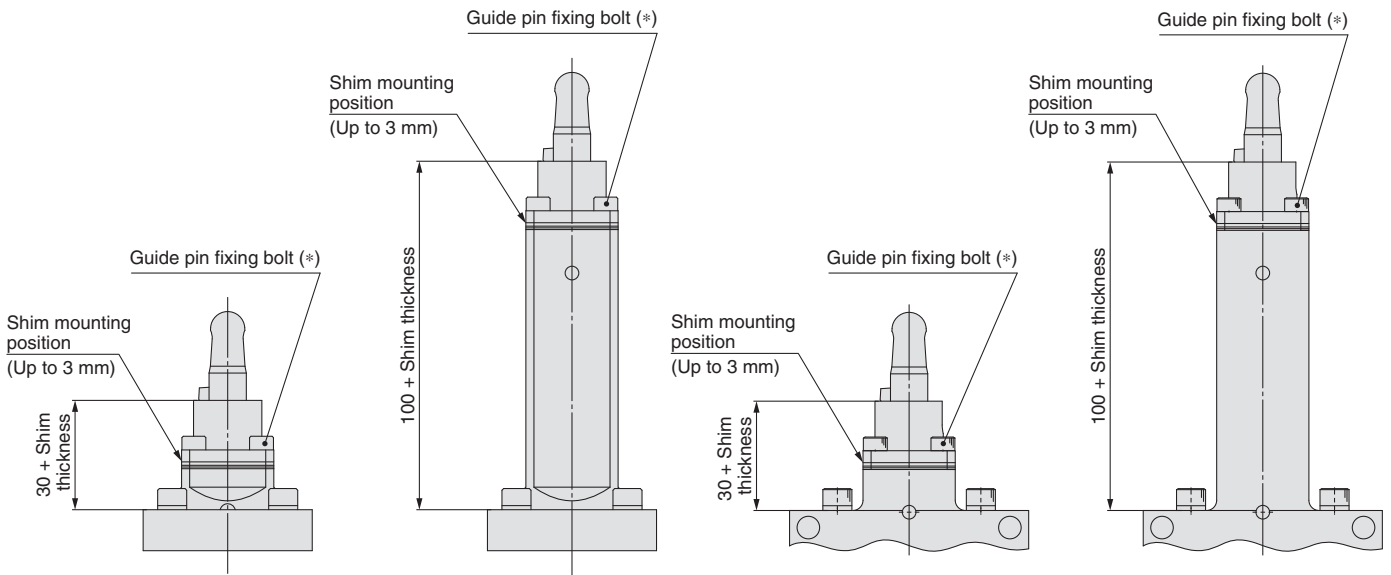
HIGH type

C(L)KU32-X2321

LOW type

C(L)KU32-X2322

HIGH type



Shim dimensions

Description	Part no.	Note
Shim A	<b>CKQ32-36A746MN</b>	Plate thickness 1 [mm]
Shim B	<b>CKQ32-36B746MN</b>	Plate thickness 0.5 [mm]
Guide pin fixing long bolt	<b>CA00644</b>	Bolt size M4 x 12 L

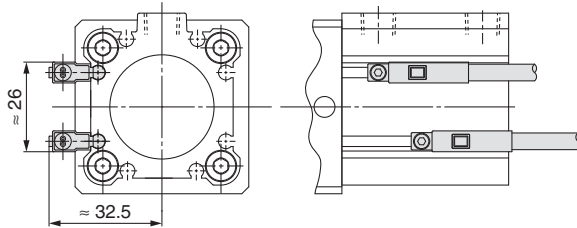
- Shims can be mounted up to 3 mm.  
However, when mounting 2 mm or more shims, use the above guide pin fixing long bolt instead of a guide pin fixing bolt (marked with \*).
- For auto switches (except the M9□V), when the total thickness of shims and a workpiece is over 2 mm, the auto switch may not be adjusted to the most sensitive position.

# C(L)KQG32 Series Auto Switch Mounting 1

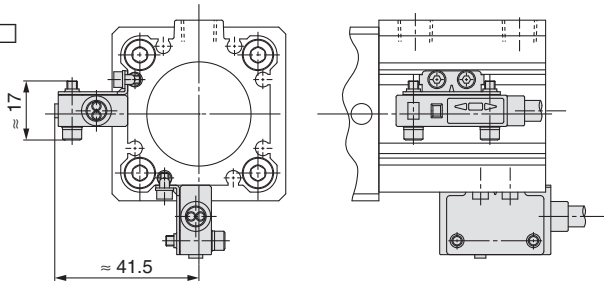
## Auto Switch Mounting Height

Applicable cylinder: C(L)KQG32-X2081  
C(L)KQG32-X2082

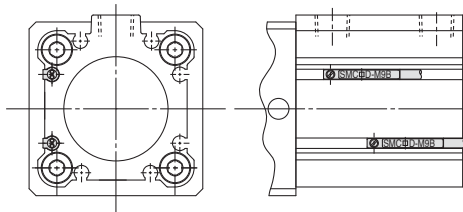
D-P3DWA□



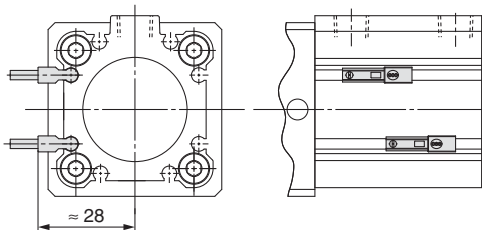
D-P4DW□



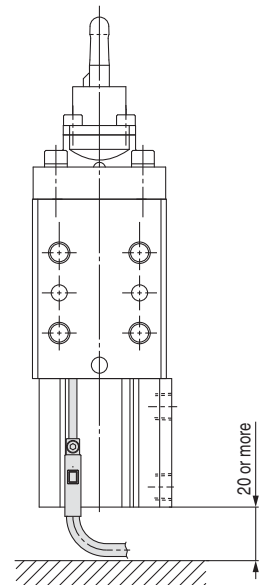
D-M9□  
D-M9□W  
D-A9□



D-M9□V  
D-M9□WV  
D-A9□V

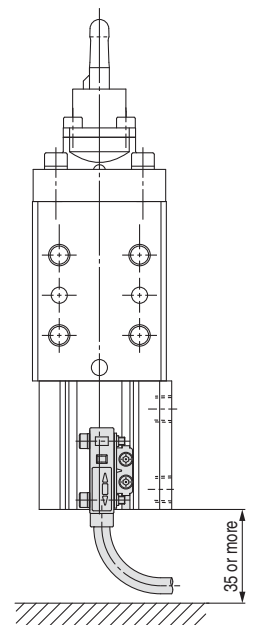


For D-P3DWA□



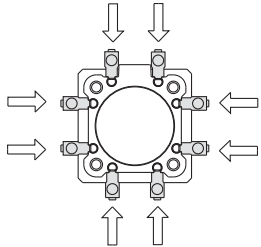
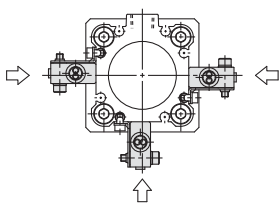
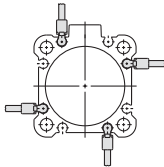
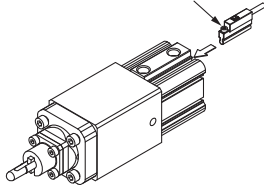
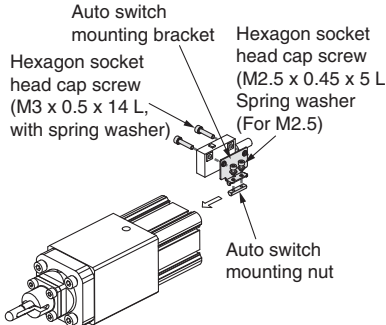
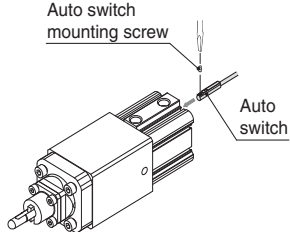
Note) Allow 20 mm or more space at the cylinder head side to secure the minimum bending radius of the auto switch lead wire.

For D-P4DW□



Note) Allow 35 mm or more space at the cylinder head side to secure the minimum bending radius of the auto switch lead wire.

## Auto Switch Mounting Bracket Part No./Mounting Method

Applicable cylinder	C(L)KQG32-X2081, -X2082								
Applicable auto switches	D-P3DWA□	D-P4DW□	D-M9□(V), D-M9□W(V), D-M9□A(V) D-A9□(V)						
Bore size [mm]	Ø 32								
Auto switch mounting bracket part no.	—	BQ7-032	—						
Auto switch mounting bracket fitting parts lineup/Weight	—	<ul style="list-style-type: none"> <li>Auto switch mounting bracket</li> <li>Auto switch mounting nut</li> <li>Hexagon socket head cap screw (M3 x 0.5 x 14 L, with spring washer)</li> <li>Hexagon socket head cap screw (M2.5 x 0.45 x 5 L)</li> <li>Spring washer (For M2.5)</li> </ul> Weight: 8.5 g	—						
Auto switch mounting surfaces	Surfaces with auto switch mounting slot 	Surfaces with auto switch mounting slot 	Surfaces with auto switch mounting slot 						
	* When mounting on the port side, select fittings with width across 12 mm or less.								
Mounting of auto switch	<ol style="list-style-type: none"> <li>① Insert the auto switch into the mating groove of the cylinder tube.</li> <li>② Check the detecting position of the auto switch and fix the auto switch firmly with the hexagon socket head cap screw (attached to the auto switch).</li> </ol> <p>Note) The tightening torque for the hexagon socket head cap screw is 0.2 to 0.3 N·m.</p> <p style="text-align: center;">Hexagon socket head cap screw (attached to the auto switch)</p> 	<ol style="list-style-type: none"> <li>① Fix the auto switch and the auto switch mounting bracket temporarily with the hexagon socket head cap screws (M3 x 14 L).</li> <li>② Insert the hexagon socket head cap screws (M2.5 x 5 L) into the spring washers (for M2.5), and tighten the auto switch mounting bracket and auto switch mounting nut temporarily.</li> <li>③ Insert the temporarily fixed auto switch mounting nut into the mating groove of the cylinder tube.</li> <li>④ Check the detecting position of the auto switch and fix the auto switch firmly with the hexagon socket head cap screw (M2.5 x 5 L, M3 x 14 L).</li> </ol> <p>Note 1) The tightening torque for the hexagon socket head cap screw (M3 x 14 L) is 0.5 to 0.6 N·m.</p> <p>Note 2) The tightening torque for the hexagon socket head cap screw (M2.5 x 5 L) is 0.25 to 0.35 N·m.</p> <p style="text-align: center;">Auto switch mounting bracket    Hexagon socket head cap screw (M2.5 x 0.45 x 5 L) Hexagon socket head cap screw (M3 x 0.5 x 14 L, with spring washer)    Spring washer (For M2.5)</p> 	 <p>Auto switch mounting screw    Auto switch</p> <ul style="list-style-type: none"> <li>When tightening the auto switch mounting screw, use a watchmakers' screwdriver with a handle 5 to 6 mm in diameter.</li> </ul> <p style="text-align: center;"><b>Tightening Torque for Auto Switch Mounting Screw [N·m]</b></p> <table border="1" style="width: 100%; border-collapse: collapse;"> <thead> <tr> <th style="text-align: left;">Auto switch model</th> <th style="text-align: left;">Tightening torque</th> </tr> </thead> <tbody> <tr> <td style="text-align: left;">D-A9□(V) (Excluding D-A93)</td> <td style="text-align: center;">0.10 to 0.20</td> </tr> <tr> <td style="text-align: left;">D-M9□(V) D-M9□W(V) D-M9□A(V) D-A93</td> <td style="text-align: center;">0.05 to 0.15</td> </tr> </tbody> </table>	Auto switch model	Tightening torque	D-A9□(V) (Excluding D-A93)	0.10 to 0.20	D-M9□(V) D-M9□W(V) D-M9□A(V) D-A93	0.05 to 0.15
Auto switch model	Tightening torque								
D-A9□(V) (Excluding D-A93)	0.10 to 0.20								
D-M9□(V) D-M9□W(V) D-M9□A(V) D-A93	0.05 to 0.15								

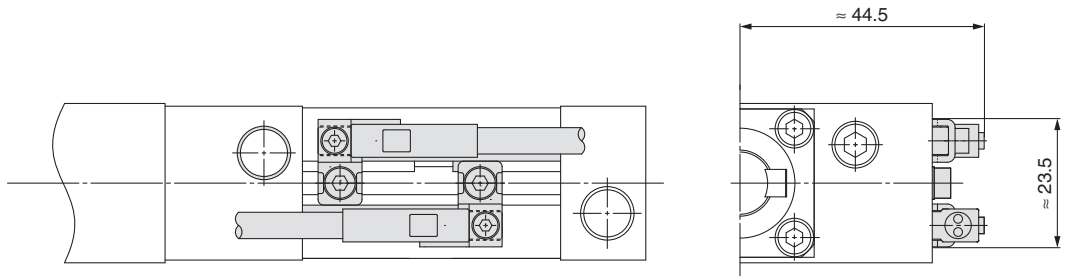
# C(L)KU32 Series

# Auto Switch Mounting 2

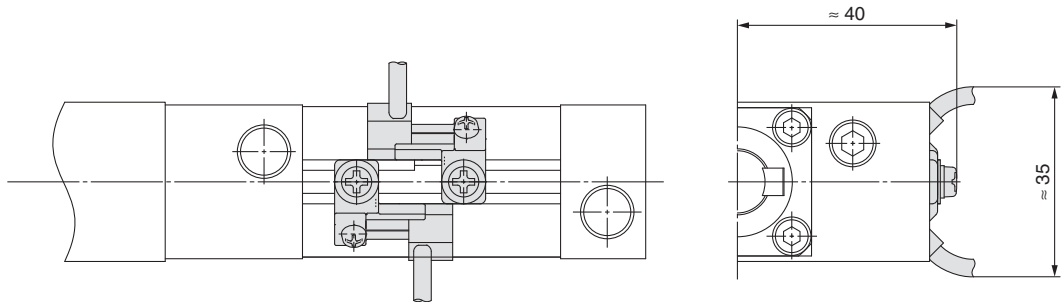
## Auto Switch Mounting Height

Applicable cylinder: C(L)KU32-X2321  
C(L)KU32-X2322

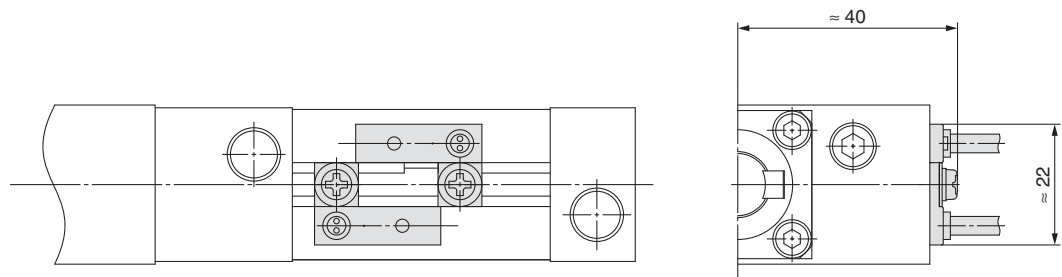
D-P3DWA□



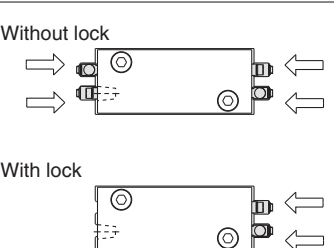
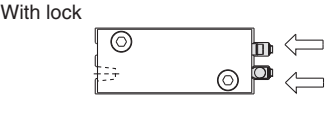
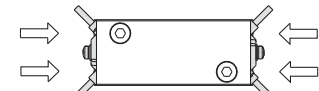
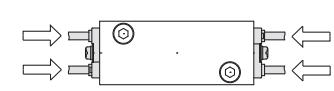
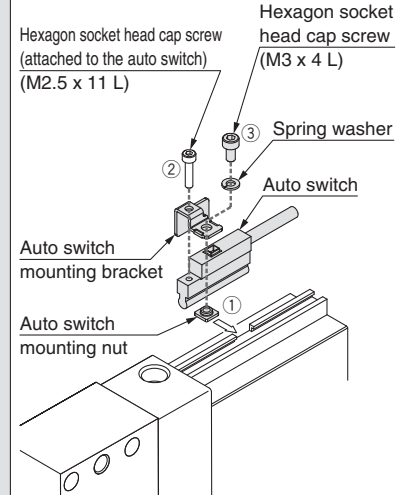
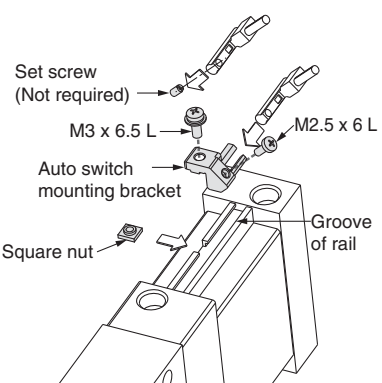
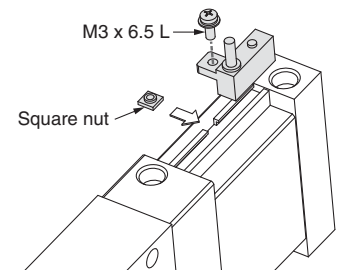
D-M9□V  
D-M9□WV



D-A7□



## Auto Switch Mounting Bracket Part No./Mounting Method

Applicable cylinder	-X2321/-X2322	-X2321/-X2322	-X2321/-X2322
Applicable auto switches	D-P3DWA□	D-M9□V/M9□WV	D-A73/A79W
Bore size [mm]	Ø 32	Ø 32	Ø 32
Auto switch mounting bracket part no.	BMU4-040S	BMU1-025 (Below ①, ②) BQ2-012 (Below ③, ④)	BMU1-025
Auto switch mounting bracket fitting parts lineup/Weight	①Hexagon socket head cap screw (M3 x 4 L) ②Auto switch mounting nut ③Spring washer (M3) ④Auto switch mounting bracket Weight: 4 g	①Cross recessed round head screw (M3 x 6.5 L) ②Square nut ③Auto switch mounting bracket ④Round head combination screw (M2.5 x 6 L) Weight: 5 g	• Cross recessed round head screw (M3 x 6.5 L) • Square nut Weight: 2 g
Auto switch mounting surfaces	Surfaces with auto switch mounting slot  Without lock   With lock 	Surfaces with auto switch mounting slot  	Surfaces with auto switch mounting slot  
Mounting of auto switch	<ol style="list-style-type: none"> <li>Remove the screw (M2.5 x 11 L) attached to the auto switch temporarily.</li> <li>Insert the temporarily removed screw into the auto switch mounting bracket, and fix the bracket on the auto switch.</li> <li>Slide the auto switch mounting nut into the groove of the rail, and fix the auto switch mounting bracket on the cylinder with the hexagon socket head cap screw (M3 x 4 L) and spring washer (M3).</li> </ol> <p>Note) The tightening torque for the hexagon socket head cap screw (M2.5 x 11 L) is 0.2 to 0.3 N·m. The tightening torque for the hexagon socket head cap screw (M3 x 4 L) is 0.5 to 0.7 N·m.</p> 	<ol style="list-style-type: none"> <li>Remove the set screw attached to the auto switch. (The set screw is not required.)</li> <li>Fix the auto switch to the auto switch mounting bracket with the round head combination screw (M2.5 x 6 L).</li> <li>Slide the square nut into the groove of the rail, and fix the auto switch mounting bracket on the cylinder with the cross recessed round head screw (M3 x 6.5 L).</li> </ol> <p>Note) The tightening torque for the round head combination screw (M2.5 x 6 L) is 0.1 to 0.2 N·m and for the cross recessed round head screw (M3 x 6.5 L) is 0.5 to 0.7 N·m.</p> 	<ol style="list-style-type: none"> <li>Slide the square nut into the groove of the rail, and fix the auto switch on the cylinder with the cross recessed round head screw (M3 x 6.5 L).</li> </ol> <p>Note) The tightening torque for the cross recessed round head screw (M3 x 6.5 L) is 0.5 to 0.7 N·m.</p> 



### SMC Corporation (Europe)

<b>Austria</b>	☎ +43 (0)2262622800	www.smc.at	office@smc.at
<b>Belgium</b>	☎ +32 (0)33551464	www.smc pneumatics.be	info@smc pneumatics.be
<b>Bulgaria</b>	☎ +359 (0)2807670	www.smc.bg	office@smc.bg
<b>Croatia</b>	☎ +385 (0)13707288	www.smc.hr	office@smc.hr
<b>Czech Republic</b>	☎ +420 541424611	www.smc.cz	office@smc.cz
<b>Denmark</b>	☎ +45 70252900	www.smc dk.com	smc@smc dk.com
<b>Estonia</b>	☎ +372 6510370	www.smc pneumatics.ee	smc@smc pneumatics.ee
<b>Finland</b>	☎ +358 207513513	www.smc.fi	smc fi@smc.fi
<b>France</b>	☎ +33 (0)164761000	www.smc-france.fr	info@smc-france.fr
<b>Germany</b>	☎ +49 (0)61034020	www.smc.de	info@smc.de
<b>Greece</b>	☎ +30 210 2717265	www.smc hellas.gr	sales@smc hellas.gr
<b>Hungary</b>	☎ +36 23513000	www.smc.hu	office@smc.hu
<b>Ireland</b>	☎ +353 (0)14039000	www.smc pneumatics.ie	sales@smc pneumatics.ie
<b>Italy</b>	☎ +39 0292711	www.smc italia.it	mailbox@smc italia.it
<b>Latvia</b>	☎ +371 67817700	www.smc lv.lv	info@smc lv.lv

<b>Lithuania</b>	☎ +370 5 2308118	www.smc lt.lt	info@smc lt.lt
<b>Netherlands</b>	☎ +31 (0)205318888	www.smc pneumatics.nl	info@smc pneumatics.nl
<b>Norway</b>	☎ +47 67129020	www.smc-norge.no	post@smc-norge.no
<b>Poland</b>	☎ +48 222119600	www.smc.pl	office@smc.pl
<b>Portugal</b>	☎ +351 226166570	www.smc.eu	postpt@smc.smces.es
<b>Romania</b>	☎ +40 213205111	www.smcromania.ro	smcromania@smcromania.ro
<b>Russia</b>	☎ +7 8127185445	www.smc-pneumatik.ru	info@smc-pneumatik.ru
<b>Slovakia</b>	☎ +421 (0)413213212	www.smc.sk	office@smc.sk
<b>Slovenia</b>	☎ +386 (0)73885412	www.smc.si	office@smc.si
<b>Spain</b>	☎ +34 902184100	www.smc.eu	post@smc.smces.es
<b>Sweden</b>	☎ +46 (0)86031200	www.smc.nu	post@smc.nu
<b>Switzerland</b>	☎ +41 (0)523963131	www.smc.ch	info@smc.ch
<b>Turkey</b>	☎ +90 212 489 0 440	www.smc pnomatik.com.tr	info@smc pnomatik.com.tr
<b>UK</b>	☎ +44 (0)845 121 5122	www.smc pneumatics.co.uk	sales@smc pneumatics.co.uk