

Large Flow Lubricator

Series AL800/900

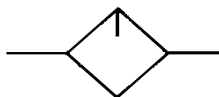
Individual lubrication
Large flow style



AL800

AL900

JIS Symbol



Standard Specifications

Model	AL800	AL900
Port size	1 1/4 1 1/2	2
Fluid	Air	
Proof pressure	1.5MPa	
Max. operating pressure	1.0MPa	
Min. operating flow (ℓ/min (ANR)) ⁽¹⁾	1 1/4: 460 1 1/2: 650	1800
Bowl capacity (cm ³)	440	
Recommended oil	Turbine oil class 1 (ISO VG32)	
Ambient and fluid temperature	-5 to 60°C (No freezing)	
Bowl material	Polycarbonate	
Weight (kg)	1.62	1.67
Accessory (Standard)	Bowl guard	●



Note 1) •Conditions: Primary pressure = 0.5Mpa, Number of drop = 5 drops/min, Turbine oil class 1 (ISO VG32), Temperature=20°C, Needle fully open
•Use consumption air flow for operating minimum flow.

How to Order

AL 80 0 — **12** — **23** — **R**

- Lubricator**: AL
- Body size**: 80 (1 1/2), 90 (2)
- Port size**: 12 (1 1/4), 14 (1 1/2), 20 (2)
- Thread**: - (Rc(PT)), N (NPT), F (G(PF))
- Options**:
 - 1 1000cm³ tank
 - 2 Metal bowl
 - 3 With drain cock
 - 6 Nylon bowl (Including sight glass)
 - 8 Metal bowl with level gauge
- Optional specification**: R (Flow direction: Right to left)

• When specifying more than one option, please list alphabetically. (Example) 23-R

Option Combinations

◎Available □Not available

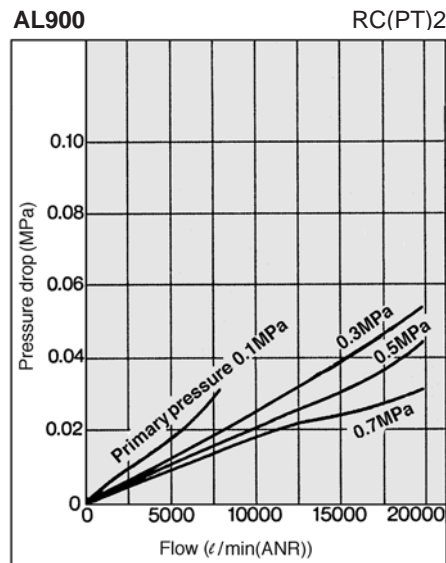
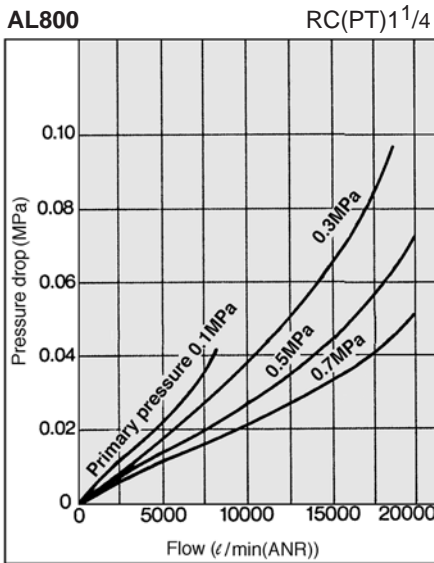
Accessory, options	Symbol	Options								
		1	1S-1	1S-2	2	3	6	8	R	
1000cm ³ tank	-1									◎
1000cm ³ (With switch) Bottom limit ON	-1S-1									◎
1000cm ³ (With switch) Bottom limit OFF	-1S-2									◎
Metal bowl	-2					◎				◎
Lubricator with drain cock	-3				◎		◎	◎		◎
Nylon bowl	-6					◎				◎
Metal bowl with level gauge	-8					◎				◎
Flow direction: Right to left	-R	◎	◎	◎	◎	◎	◎	◎		◎



Note) -1, -1S-1 and -1S-2 are with metal bowl with level gauge and with drain cock.

AL800/900

Flow Characteristics



⚠ Precautions

Be sure to read before handling. Refer to p.0-26 and 0-27 for Safety Instructions and common precautions on the products mentioned in this catalogue, and refer to p.1.0-2 and 1.0-3 for precautions on every series.

Selection

⚠ Warning

① Air should not flow from secondary side. It damages the damper.

Maintenance

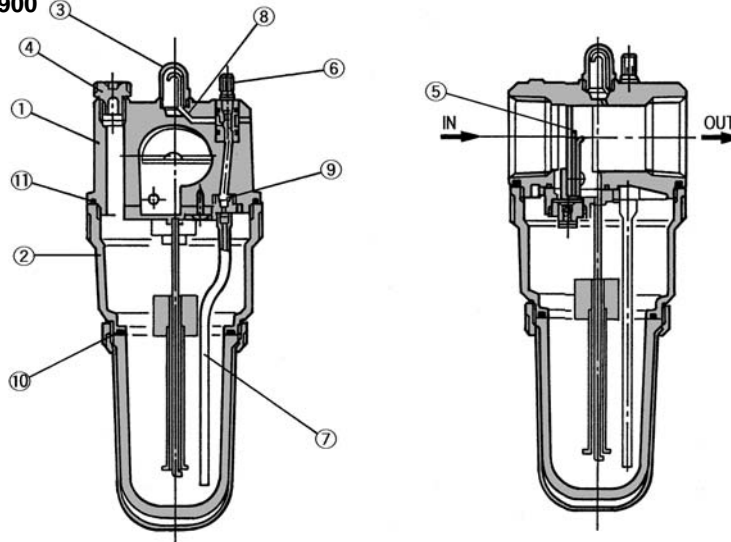
⚠ Caution

① Check minimum operating flow once in a day. If malfunction in minimum operating flow occurs, it causes trouble with lubrication.

Construction

JIS Symbol

AL800/900



Component parts

No.	Description	Material		Note
		AL800	AL900	
①	Body	Aluminum die cast	Aluminum cast	Painted silver
②	Housing	Aluminum die cast		Painted silver

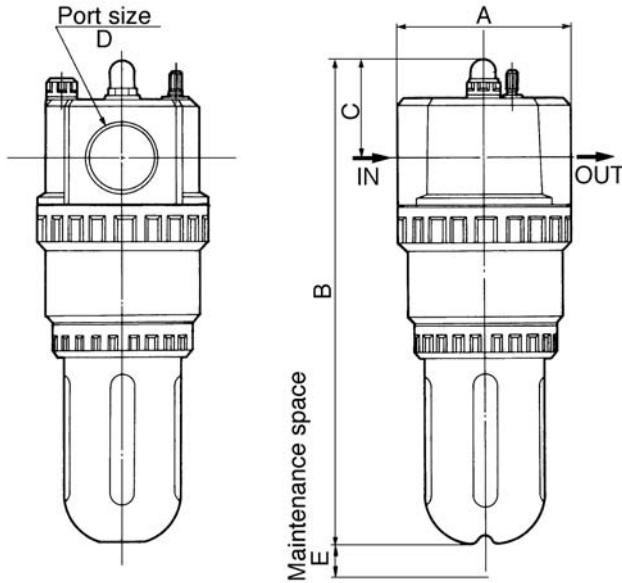
Replacement parts

No.	Description	Material	Part No.	
			AL800	AL900
③	Sight dome		12316	12316
④	Lubrication plug assembly	—	12314AP	12314AP
⑤	Damper assembly	—	123417A (1 ¹ / ₄) 123416A (1 ¹ / ₂)	12356A
⑥	Needle stud assembly	—	123128PA	123128PA
⑦	Siphon tube assembly	—	123321A	123321A
⑧	Sight dome assembly	Urethane resin	12318	12318
⑨	Siphon tube nut seal	Urethane resin	123111	123111
⑩	Bowl O ring	NBR	113136	113136
⑪	Housing O ring	NBR	JIS B2401G90	JIS B2401G90

Large Flow Style Lubricator **AL800/900**

Dimensions

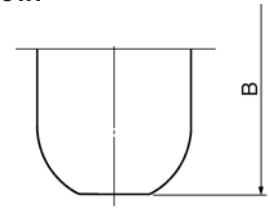
AL800/900



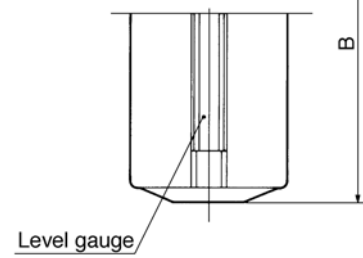
Model	Port size D	A	B	C	E
AL800	1 ¹ / ₄ / 1 ¹ / ₂	100	283	59	125
AL900	2	100	288	63	125

Option Specifications

Metal bowl

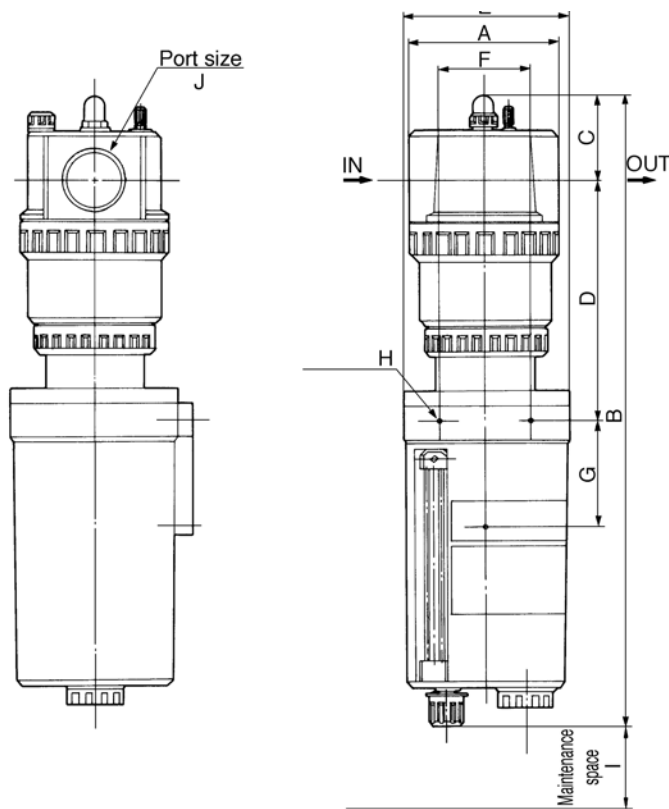


Metal bowl with level gauge



Model	Metal bowl	Metal bowl with level gauge
	B	B
AL800	275	307
AL900	280	312

Option Specifications/1000cm³ Tank



Model	Port size J	A	B*	C	D	E	F	G	H	I
AL800-12 to 14-1	1 ¹ / ₄ / 1 ¹ / ₂	100	431(481)	59	166	ø117	60	73	3-M5 X 6	230
AL900-20-1	2	100	437(487)	63	162	ø117	60	73	3-M5 X 6	230

*() With float switch

- AC
- AV
- AU
- AF
- AR
- IR
- VEX
- SRP
- AW
- AMR
- AWM
- AWD
- ITV
- VBA
- G
- AL