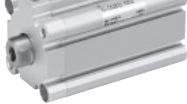


# 10-/21-**CQ2** Series

## 11-/22-

Ø 12, Ø 16, Ø 20, Ø 25, Ø 32, Ø 40, Ø 50, Ø 63, Ø 80, Ø 100  
Compact Cylinder

### How to Order



**Clean series**

10	Relief type
11	Vacuum suction type

**Mounting**

B	Through-hole (Standard)
---	-------------------------

**Port thread type**

—	M thread	Ø 12 to Ø 25
—	Rc	
TN	NPT	Ø 32 to Ø 100
TF	G	

\* For the cylinders without an auto switch, M threads are compatible only for Ø 32 with 5 mm stroke.

**Auto switch mounting groove**

Z	Ø 12 to Ø 25	2 sides
	Ø 32 to Ø 100	4 sides

**Number of auto switches**

—	2 pcs.
S	1 pc.
n	n pcs.

**Without auto switch**  
Ø 12 to Ø 25: 10 - C Q 2 B 20 - 10 D

**Ø 12 to Ø 100**: 10 - C D Q 2 B 32 - 10 D Z - M9B

**With auto switch**

—	No	Ø 32 to Ø 100
D	With auto switch (Built-in magnet)	Ø 12 to Ø 100

**Without auto switch**  
Ø 12 to Ø 25: 21 - C Q 2 B 20 - 10 D

**Ø 12 to Ø 100**: 21 - C D Q 2 B 32 - 10 D Z - M9B

**Copper, fluorine and silicone-free + Low particle generation**

21	Relief type
22	Vacuum suction type

**With auto switch**

—	No	Ø 32 to Ø 100
D	With auto switch (Built-in magnet)	Ø 12 to Ø 100

**Cylinder stroke (mm)**

\* For standard stroke, refer to the table below.

**Action**

D	Double acting
---	---------------

**Rod end thread**

—	Standard (Rod end female thread)
M	Rod end male thread
C	With rubber bumper (Ø 12 with auto switch only)

**Type of auto switch (With auto switch)**

—	Without auto switch (Built-in magnet cylinder)
---	--

\* For applicable auto switch part numbers, refer to the next page.  
\* The minimum stroke for auto switch mounting and operating range are the same as standard products.  
\* Auto switch is shipped together, (not assembled).

### Model

	Model	Bore size (mm)	Port size	Relief port	Action	Standard stroke (mm)
Relief type	10-/21-C(D)Q2B12	12	M5 x 0.8	M5 x 0.8	Double acting Single rod	5, 10, 15, 20, 25, 30 35, 40, 45, 50 5, 10, 15, 20, 25, 30 35, 40, 45, 50, 75, 100 10, 15, 20, 25, 30, 35 40, 45, 50, 75, 100
	10-/21-C(D)Q2B16	16				
	10-/21-C(D)Q2B20	20				
	10-/21-C(D)Q2B25	25				
	10-/21-C(D)Q2B32	32	M5 x 0.8, 1/8 (Note)			
	10-/21-C(D)Q2B40	40	1/8			
	10-/21-C(D)Q2B50	50	1/4			
	10-/21-C(D)Q2B63	63	3/8			
	10-/21-C(D)Q2B80	80				
	10-/21-C(D)Q2B100	100				
11-/22-C(D)Q2B12	12	M5 x 0.8				
11-/22-C(D)Q2B16	16					
11-/22-C(D)Q2B20	20					
11-/22-C(D)Q2B25	25					
11-/22-C(D)Q2B32	32		M5 x 0.8, 1/8 (Note)			
11-/22-C(D)Q2B40	40		1/8			
11-/22-C(D)Q2B50	50		1/4			
11-/22-C(D)Q2B63	63		3/8			
11-/22-C(D)Q2B80	80					
11-/22-C(D)Q2B100	100					

Note) Only 5 mm stroke comes with M5 x 0.8 for no auto switch on Ø 32.

### Specifications

Item	Bore size (mm)	12, 16, 20, 25 32, 40, 50, 63	80, 100
Proof pressure		1.5 MPa	
Maximum operating pressure		1.0 MPa	
Minimum operating pressure		0.1 MPa	
Ambient and fluid temperature		Without auto switch : -10°C to 70°C With auto switch : -10°C to 60°C (No freezing)	
Cushion		None (Note 1)	
Piston speed		30 to 400 mm/s	30 to 300 mm/s
Stroke length tolerance		+1.0 (Note 2) 0	
Mounting		Through-hole	
Grease		10-/11-: Fluorine grease 21-/22-: Lithium soap based grease	
Cleanliness class (ISO class)		10-/21-: Class 4, 11-/22-: Class 3	

Note 1) Bore size Ø 12 cylinder with an auto switch comes with a rubber bumper as standard.

Note 2) Stroke length tolerance does not include the amount of bumper change.

### Suction Flow Rate of Vacuum Suction Type (Reference values)

Size	Suction flow rate L/min (ANR)
12 to 40	5
50, 63	10
80, 100	20

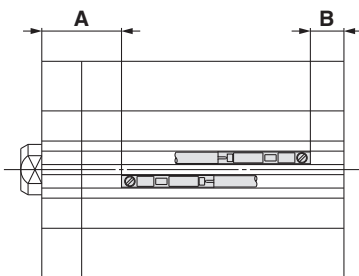
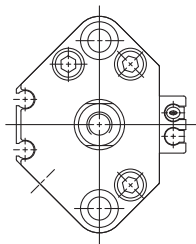
**Auto Switch Specifications** (Refer to the **WEB catalogue** for detailed specifications and auto switches not in the following table.)

Type	Auto switch part no.	Load voltage	Load current range	Indicator light	Application
Solid state auto switch	2-wire	D-M9B	24 VDC (10 to 28 VDC)	2.5 to 40 mA	24 VDC Relay, PLC
	3-wire	D-M9N, D-M9P	28 VDC or less	40 mA or less	IC circuit, Relay, PLC
Reed auto switch	D-A93, D-A96	24 VDC, 100 VAC	5 to 40 mA, 5 to 20 mA	○	Relay, PLC

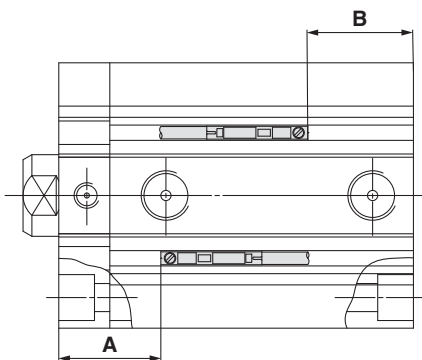
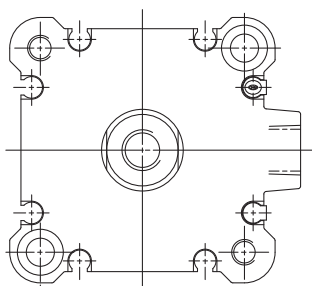
PLC: Programmable Logic Controller

**Auto Switch Proper Mounting Position (Detection at Stroke End)**

**D-M9N/M9B/M9P**  
**D-A93/A96**  
Ø 12 to Ø 25



**D-M9N/M9B/M9P**  
**D-A93/A96**  
Ø 32 to Ø 100



Bore size	D-M9□		D-A9□	
	A	B	A	B
12	16	7	12	3
16	19	6.5	15	2.5
20	19	7.5	15	3.5
25	19.5	8	15.5	4
32	22	9	18	5
40	26	11.5	22	7.5
50	24	14.5	20	10.5
63	26.5	17.5	22.5	13.5
80	34.5	22	30.5	18
100	39	27	35	23

**⚠ Specific Product Precautions**

Be sure to read this before handling.

**Retaining Ring Installation/Removal (Ø 50 to Ø 100)**

**⚠ Caution**

- For installation and removal, use an appropriate pair of pliers (tool for installing a type C retaining ring).
- Even if a proper plier (tool for installing a type C retaining ring) is used, it is likely to inflict damage to a human body or peripheral equipment, as a retaining ring may be flown out of the tip of a plier (tool for installing a type C retaining ring). Be much careful with the popping of a retaining ring. Besides, be certain that a retaining ring is placed firmly into the groove of rod cover before supplying air at the time of installation.

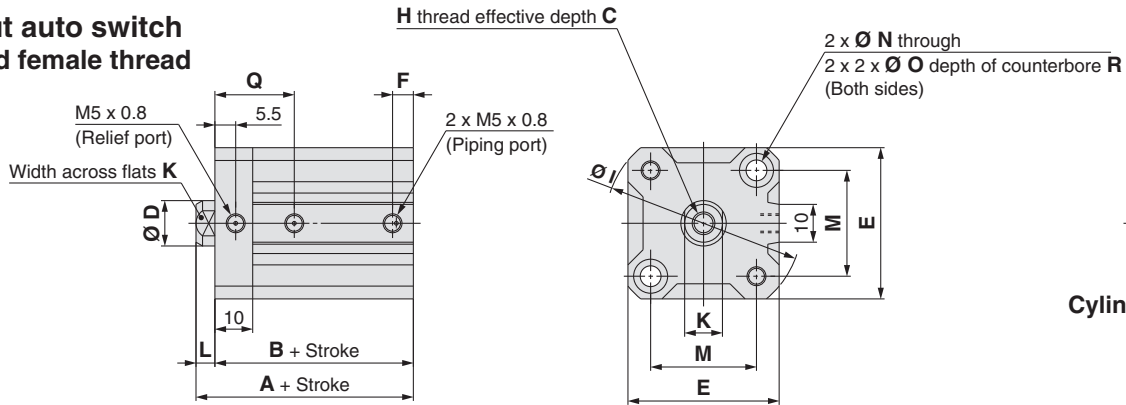
**Handling**

**⚠ Caution**

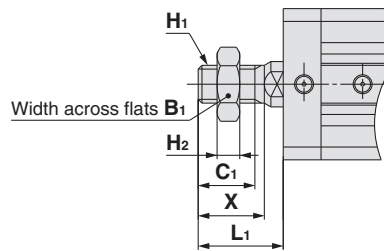
- Load to piston rod must always be in an axial direction.
  - When installing a cylinder, centering should be required accurately.
  - When using it as a stopper, install a guide or take some other measures to prevent lateral load from being directly applied to the piston rod.
- Do not loosen or remove the hexagon socket head cap screw securing the rod cover. It may cause the rod cover to be detached, resulting in human injury or damage to peripheral equipment.

10-11-C(D)Q2B12 to 25, 21-22-C(D)Q2B12 to 25

Without auto switch  
Rod end female thread



Rod end male thread



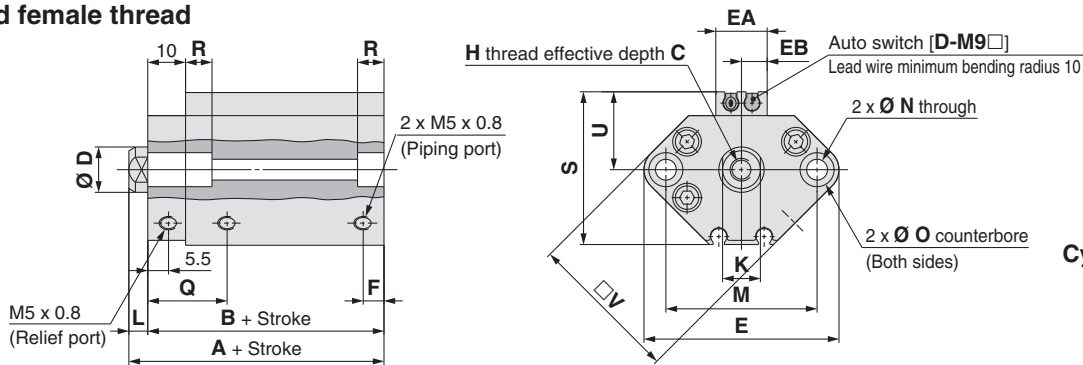
Rod end male thread [mm]

Bore size	B <sub>1</sub>	C <sub>1</sub>	H <sub>1</sub>	H <sub>2</sub>	L <sub>1</sub>	X
12	8	9	M5 x 0.8	4	14	10.5
16	10	10	M6 x 1.0	5	15.5	12
20	13	12	M8 x 1.25	5	18.5	14
25	17	15	M10 x 1.25	6	22.5	17.5

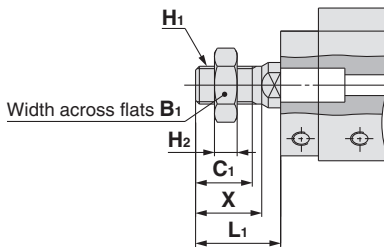
Standard

Symbol	A	B	C	D	E	F	H	I	K	L	M	N	O	Q	R	Standard stroke
12	30.5	27	6	6	25	5	M3 x 0.5	32	5	3.5	15.5	3.5	6.5	17.5	3.5	5, 10, 15
16	32	28.5	8	8	29	5.5	M4 x 0.7	38	6	3.5	20	3.5	6.5	18	3.5	20, 25, 30
20	34	29.5	7	10	36	5.5	M5 x 0.8	47	8	4.5	25.5	5.5	9	18	7	5, 10, 15, 20, 25
25	37.5	32.5	12	12	40	5.5	M6 x 1.0	52	10	5	28	5.5	9	19	7	30, 35, 40, 45, 50

With auto switch  
Rod end female thread



Rod end male thread



Rod end male thread [mm]

Bore size	B <sub>1</sub>	C <sub>1</sub>	H <sub>1</sub>	H <sub>2</sub>	L <sub>1</sub>	X
12	8	9	M5 x 0.8	4	14	10.5
16	10	10	M6 x 1.0	5	15.5	12
20	13	12	M8 x 1.25	5	18.5	14
25	17	15	M10 x 1.25	6	22.5	17.5

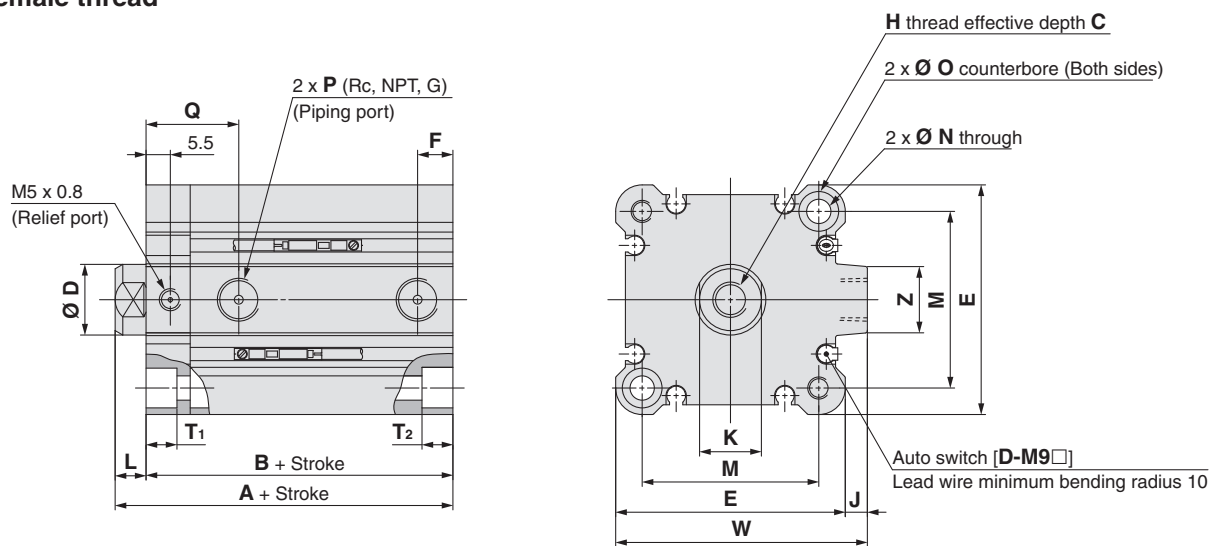
Standard

Symbol	A	B	C	D	E	EA	EB	F	H	K	L	M	N	O	Q	R	S	U	V	Standard stroke
12	41.5	38	6	6	33	—	—	6.5	M3	5	3.5	22	3.5	6.5	21	3.5	27.5	14	25	5, 10, 15
16	44	40.5	8	8	37	13.2	6.6	5.5	M4	6	3.5	28	3.5	6.5	20	3.5	29.5	15	29	20, 25, 30
20	46	41.5	7	10	47	13.6	6.8	5.5	M5	8	4.5	36	5.5	9	18	7	35.5	18	36	5, 10, 15, 20, 25
25	47.5	42.5	12	12	52	13.6	6.8	5.5	M6	10	5	40	5.5	9	19	7	40.5	21	40	30, 35, 40, 45, 50

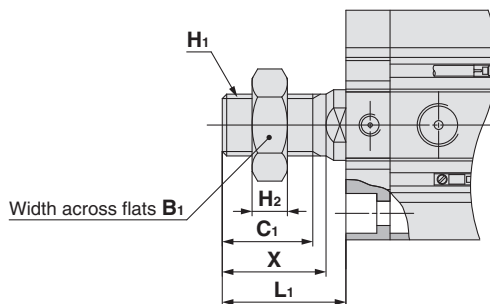
# Compact Cylinder 10-11-CQ2/21-22-CQ2

10-11-C(D)Q2B32 to 50, 21-22-C(D)Q2B32 to 50 (For without auto switches, the A, B, F, P and Q dimensions will be only changed. Please refer to the dimension table.)

## Rod end female thread



## Rod end male thread



## Rod end male thread [mm]

Bore size	B <sub>1</sub>	C <sub>1</sub>	H <sub>1</sub>	H <sub>2</sub>	L <sub>1</sub>	X
32	22	20.5	M14 x 1.5	8	28.5	23.5
40	22	20.5	M14 x 1.5	8	28.5	23.5
50	27	26	M18 x 1.5	11	33.5	28.5

## Standard

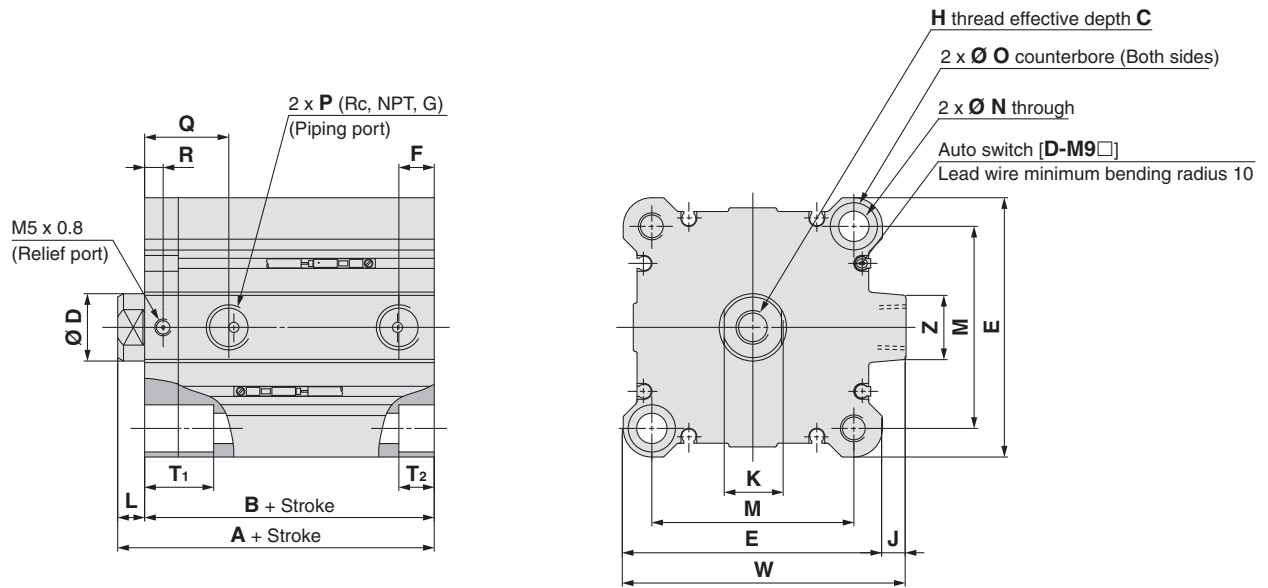
Bore size	Stroke range <sup>Note)</sup>	Without auto switch					With auto switch					C	D	E	H	J	K
		A	B	F	P	Q	A	B	F	P	Q						
32	5	40	33	5.5	M5 x 0.8	20	50	43	7.5	1/8	20	13	16	45	M8 x 1.25	4.5	14
	10 to 50			7.5	1/8												
	75, 100	50	43	7.5	1/8												
40	5 to 50	46.5	39.5	7.5	1/8	22.5	56.5	49.5	7.5	1/8	22.5	13	16	52	M8 x 1.25	5	14
	75, 100	56.5	49.5														
	10 to 50	48.5	40.5	10.5	1/4	20.5	58.5	50.5	10.5	1/4	20.5	15	20	64	M10 x 1.5	7	17
75, 100	58.5	50.5															

Bore size	Stroke range <sup>Note)</sup>	L	M	N	O	T <sub>1</sub>	T <sub>2</sub>	W	Z
32	5	7	34	5.5	9	7	7	49.5	14
	10 to 50								
	75, 100								
40	5 to 50	7	40	5.5	9	6	7	57	15
	75, 100								
	10 to 50	8	50	6.6	11	18	8	71	19
75, 100									

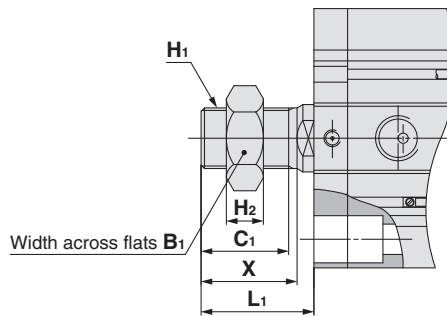
Note) A spacer of 20, 15, 10 or 5 mm is attached to 75 or 100 mm stroke to make an intermediate stroke (55, 60, 65, 70 and 80, 85, 90, 95). Therefore, the same dimensions as the 75 or 100 mm stroke can be obtained.

10-C(D)Q2B63 to 100, 21-C(D)Q2B63 to 100 (For without auto switches, the A and B dimensions will be only changed. Please refer to the dimension table.)

Rod end female thread



Rod end male thread



Rod end male thread [mm]

Bore size	B <sub>1</sub>	C <sub>1</sub>	H <sub>1</sub>	H <sub>2</sub>	L <sub>1</sub>	X
63	27	26	M18 x 1.5	11	33.5	28.5
80	32	32.5	M22 x 1.5	13	43.5	35.5
100	41	32.5	M26 x 1.5	16	43.5	35.5

Standard

Bore size	Stroke range <sup>Note)</sup>	Without auto switch		With auto switch		C	D	E	F	H	J	K	L	M	N	O	P	Q
		A	B	A	B													
63	10 to 50	54	46	64	56	15	20	77	10.5	M10 x 1.5	7	17	8	60	9	14	1/4	25
	75, 100	64	56															
80	10 to 50	68.5	58.5	78.5	68.5	21	25	98	12.5	M16 x 2.0	6	22	10	77	11	17.5	3/8	31
	75, 100	78.5	68.5															
100	10 to 50	80	68	90	78	27	30	117	13	M20 x 2.5	6.5	27	12	94	11	17.5	3/8	38
	75, 100	90	78															

Bore size	Stroke range <sup>Note)</sup>	R	T <sub>1</sub>	T <sub>2</sub>	W	Z
63	10 to 50	5.5	20.5	10.5	84	19
	75, 100					
80	10 to 50	10	28.5	13.5	104	25
	75, 100					
100	10 to 50	10	28.5	13.5	123.5	25
	75, 100					

Note) A spacer of 20, 15, 10 or 5 mm is attached to 75 or 100 mm stroke to make an intermediate stroke (55, 60, 65, 70 and 80, 85, 90, 95). Therefore, the same dimensions as the 75 or 100 mm stroke can be obtained.

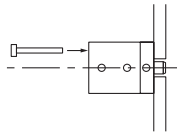
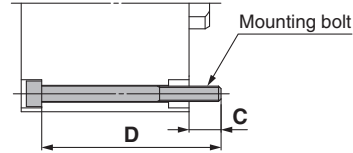
## Mounting Bolt for CQ2

Mounting method: Mounting bolt for through-hole mounting of the CQ2B is available as an option.

Refer to the following for ordering procedures.

Order the actual number of bolts that will be used.

Example) CQ-M5 x 40L 2 pcs.



### Rod side mounting/Without auto switch

Model		C	D	Mounting bolt
10-	11-	CQ2B12-5D	35	CQ-M3 x 35L
		-10D	40	x 40L
		-15D	45	x 45L
		-20D	50	x 50L
		-25D	55	x 55L
		-30D	60	x 60L
10-	11-	CQ2B16-5D	35	CQ-M3 x 35L
		-10D	40	x 40L
		-15D	45	x 45L
		-20D	50	x 50L
		-25D	55	x 55L
		-30D	60	x 60L
10-	11-	CQ2B20-5D	35	CQ-M5 x 35L
		-10D	40	x 40L
		-15D	45	x 45L
		-20D	50	x 50L
		-25D	55	x 55L
		-30D	60	x 60L
		-35D	65	x 65L
		-40D	70	x 70L
		-45D	75	x 75L
		-50D	80	x 80L
10-	11-	CQ2B25-5D	40	CQ-M5 x 40L
		-10D	45	x 45L
		-15D	50	x 50L
		-20D	55	x 55L
		-25D	60	x 60L
		-30D	65	x 65L
		-35D	70	x 70L
		-40D	75	x 75L
		-45D	80	x 80L
		-50D	85	x 85L
10-21-	11-22-	CQ2B32-5DZ	40	CQ-M5 x 40L
		-10DZ	45	x 45L
		-15DZ	50	x 50L
		-20DZ	55	x 55L
		-25DZ	60	x 60L
		-30DZ	65	x 65L
		-35DZ	70	x 70L
		-40DZ	75	x 75L
		-45DZ	80	x 80L
		-50DZ	85	x 85L
-75DZ	120	x 120L		
-100DZ	145	x 145L		
10-21-	11-22-	CQ2B40-5DZ	45	CQ-M5 x 45L
		-10DZ	50	x 50L
		-15DZ	55	x 55L
		-20DZ	60	x 60L
		-25DZ	65	x 65L
		-30DZ	70	x 70L
		-35DZ	75	x 75L
		-40DZ	80	x 80L
		-45DZ	85	x 85L
		-50DZ	90	x 90L
		-75DZ	125	x 125L
		-100DZ	150	x 150L

Model		C	D	Mounting bolt
10-21-	11-22-	CQ2B50-10DZ	55	CQ-M6 x 55L
		-15DZ	60	x 60L
		-20DZ	65	x 65L
		-25DZ	70	x 70L
		-30DZ	75	x 75L
		-35DZ	80	x 80L
		-40DZ	85	x 85L
		-45DZ	90	x 90L
		-50DZ	95	x 95L
		-75DZ	130	x 130L
-100DZ	155	x 155L		
10-21-	11-22-	CQ2B63-10DZ	60	CQ-M8 x 60L
		-15DZ	65	x 65L
		-20DZ	70	x 70L
		-25DZ	75	x 75L
		-30DZ	80	x 80L
		-35DZ	85	x 85L
		-40DZ	90	x 90L
		-45DZ	95	x 95L
		-50DZ	100	x 100L
		-75DZ	135	x 135L
-100DZ	160	x 160L		
10-21-	11-22-	CQ2B80-10DZ	70	CQ-M10 x 70L
		-15DZ	75	x 75L
		-20DZ	80	x 80L
		-25DZ	85	x 85L
		-30DZ	90	x 90L
		-35DZ	95	x 95L
		-40DZ	100	x 100L
		-45DZ	105	x 105L
		-50DZ	110	x 110L
		-75DZ	145	x 145L
-100DZ	170	x 170L		
10-21-	11-22-	CQ2B100-10DZ	80	CQ-M10 x 80L
		-15DZ	85	x 85L
		-20DZ	90	x 90L
		-25DZ	95	x 95L
		-30DZ	100	x 100L
		-35DZ	105	x 105L
		-40DZ	110	x 110L
		-45DZ	115	x 115L
		-50DZ	120	x 120L
		-75DZ	155	x 155L
-100DZ	180	x 180L		

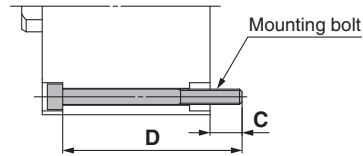
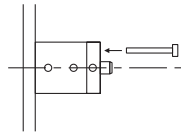
## Mounting Bolt for CQ2

Mounting method: Mounting bolt for through-hole mounting of the CQ2B is available as an option.

Refer to the following for ordering procedures.

Order the actual number of bolts that will be used.

Example) CQ-M5 x 40L 2 pcs.



### Head side mounting/Without auto switch

Model		C	D	Mounting bolt
10-	11-	6.5	CQ2B12-5D	35 CQ-M3 x 35L
			-10D	40 x 40L
			-15D	45 x 45L
			-20D	50 x 50L
			-25D	55 x 55L
			-30D	60 x 60L
10-	11-	5	CQ2B16-5D	35 CQ-M3 x 35L
			-10D	40 x 40L
			-15D	45 x 45L
			-20D	50 x 50L
			-25D	55 x 55L
			-30D	60 x 60L
10-	11-	7.5	CQ2B20-5D	35 CQ-M5 x 35L
			-10D	40 x 40L
			-15D	45 x 45L
			-20D	50 x 50L
			-25D	55 x 55L
			-30D	60 x 60L
			-35D	65 x 65L
			-40D	70 x 70L
			-45D	75 x 75L
			-50D	80 x 80L
10-	11-	9.5	CQ2B25-5D	40 CQ-M5 x 40L
			-10D	45 x 45L
			-15D	50 x 50L
			-20D	55 x 55L
			-25D	60 x 60L
			-30D	65 x 65L
			-35D	70 x 70L
			-40D	75 x 75L
			-45D	80 x 80L
			-50D	85 x 85L
10-21-	11-22-	9	CQ2B32-5DZ	40 CQ-M5 x 40L
			-10DZ	45 x 45L
			-15DZ	50 x 50L
			-20DZ	55 x 55L
			-25DZ	60 x 60L
			-30DZ	65 x 65L
			-35DZ	70 x 70L
			-40DZ	75 x 75L
			-45DZ	80 x 80L
			-50DZ	85 x 85L
10-21-	11-22-	11.5	CQ2B40-5DZ	50 CQ-M5 x 50L
			-10DZ	55 x 55L
			-15DZ	60 x 60L
			-20DZ	65 x 65L
			-25DZ	70 x 70L
			-30DZ	75 x 75L
			-35DZ	80 x 80L
			-40DZ	85 x 85L
			-45DZ	90 x 90L
			-50DZ	95 x 95L
-75DZ	130 x 130L			
-100DZ	155 x 155L			

Model		C	D	Mounting bolt
10-21-	11-22-	12.5	CQ2B50-10DZ	45 CQ-M6 x 45L
			-15DZ	50 x 50L
			-20DZ	55 x 55L
			-25DZ	60 x 60L
			-30DZ	65 x 65L
			-35DZ	70 x 70L
			-40DZ	75 x 75L
			-45DZ	80 x 80L
			-50DZ	85 x 85L
			-75DZ	120 x 120L
-100DZ	145 x 145L			
10-21-	11-22-	14.5	CQ2B63-10DZ	50 CQ-M8 x 50L
			-15DZ	55 x 55L
			-20DZ	60 x 60L
			-25DZ	65 x 65L
			-30DZ	70 x 70L
			-35DZ	75 x 75L
			-40DZ	80 x 80L
			-45DZ	85 x 85L
			-50DZ	90 x 90L
			-75DZ	125 x 125L
-100DZ	150 x 150L			
10-21-	11-22-	15	CQ2B80-10DZ	55 CQ-M10 x 55L
			-15DZ	60 x 60L
			-20DZ	65 x 65L
			-25DZ	70 x 70L
			-30DZ	75 x 75L
			-35DZ	80 x 80L
			-40DZ	85 x 85L
			-45DZ	90 x 90L
			-50DZ	95 x 95L
			-75DZ	130 x 130L
-100DZ	155 x 155L			
10-21-	11-22-	15.5	CQ2B100-10DZ	65 CQ-M10 x 65L
			-15DZ	70 x 70L
			-20DZ	75 x 75L
			-25DZ	80 x 80L
			-30DZ	85 x 85L
			-35DZ	90 x 90L
			-40DZ	95 x 95L
			-45DZ	100 x 100L
			-50DZ	105 x 105L
			-75DZ	140 x 140L
-100DZ	165 x 165L			

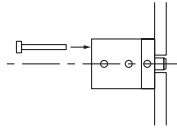
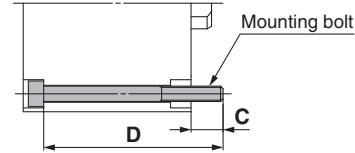
## Mounting Bolt for CDQ2

Mounting method: Mounting bolt for through-hole mounting of the CDQ2B is available as an option.

Refer to the following for ordering procedures.

Order the actual number of bolts that will be used.

Example) CQ-M5 x 50L 2 pcs.



### Rod side mounting/With auto switch

Model		C	D	Mounting bolt
10-	11-	CDQ2B12-5DCZ	45	CQ-M3 x 45L
		-10DCZ	50	x 50L
		-15DCZ	55	x 55L
		-20DCZ	60	x 60L
		-25DCZ	65	x 65L
		-30DCZ	70	x 70L
10-	11-	CDQ2B16-5DZ	50	CQ-M3 x 50L
		-10DZ	55	x 55L
		-15DZ	60	x 60L
		-20DZ	65	x 65L
		-25DZ	70	x 70L
		-30DZ	75	x 75L
10-	11-	CDQ2B20-5DZ	50	CQ-M5 x 50L
		-10DZ	55	x 55L
		-15DZ	60	x 60L
		-20DZ	65	x 65L
		-25DZ	70	x 70L
		-30DZ	75	x 75L
		-35DZ	80	x 80L
		-40DZ	85	x 85L
		-45DZ	90	x 90L
		-50DZ	95	x 95L
10-	11-	CDQ2B25-5DZ	50	CQ-M5 x 50L
		-10DZ	55	x 55L
		-15DZ	60	x 60L
		-20DZ	65	x 65L
		-25DZ	70	x 70L
		-30DZ	75	x 75L
		-35DZ	80	x 80L
		-40DZ	85	x 85L
		-45DZ	90	x 90L
		-50DZ	95	x 95L
10-21-	11-22-	CDQ2B32-5DZ	50	CQ-M5 x 50L
		-10DZ	55	x 55L
		-15DZ	60	x 60L
		-20DZ	65	x 65L
		-25DZ	70	x 70L
		-30DZ	75	x 75L
		-35DZ	80	x 80L
		-40DZ	85	x 85L
		-45DZ	90	x 90L
		-50DZ	95	x 95L
-75DZ	120	x 120L		
-100DZ	145	x 145L		
10-21-	11-22-	CDQ2B40-5DZ	55	CQ-M5 x 55L
		-10DZ	60	x 60L
		-15DZ	65	x 65L
		-20DZ	70	x 70L
		-25DZ	75	x 75L
		-30DZ	80	x 80L
		-35DZ	85	x 85L
		-40DZ	90	x 90L
		-45DZ	95	x 95L
		-50DZ	100	x 100L
		-75DZ	125	x 125L
		-100DZ	150	x 150L

Model		C	D	Mounting bolt
10-21-	11-22-	CDQ2B50-10DZ	65	CQ-M6 x 65L
		-15DZ	70	x 70L
		-20DZ	75	x 75L
		-25DZ	80	x 80L
		-30DZ	85	x 85L
		-35DZ	90	x 90L
		-40DZ	95	x 95L
		-45DZ	100	x 100L
		-50DZ	105	x 105L
		-75DZ	130	x 130L
-100DZ	155	x 155L		
10-21-	11-22-	CDQ2B63-10DZ	70	CQ-M8 x 70L
		-15DZ	75	x 75L
		-20DZ	80	x 80L
		-25DZ	85	x 85L
		-30DZ	90	x 90L
		-35DZ	95	x 95L
		-40DZ	100	x 100L
		-45DZ	105	x 105L
		-50DZ	110	x 110L
		-75DZ	135	x 135L
-100DZ	160	x 160L		
10-21-	11-22-	CDQ2B80-10DZ	80	CQ-M10 x 80L
		-15DZ	85	x 85L
		-20DZ	90	x 90L
		-25DZ	95	x 95L
		-30DZ	100	x 100L
		-35DZ	105	x 105L
		-40DZ	110	x 110L
		-45DZ	115	x 115L
		-50DZ	120	x 120L
		-75DZ	145	x 145L
-100DZ	170	x 170L		
10-21-	11-22-	CDQ2B100-10DZ	90	CQ-M10 x 90L
		-15DZ	95	x 95L
		-20DZ	100	x 100L
		-25DZ	105	x 105L
		-30DZ	110	x 110L
		-35DZ	115	x 115L
		-40DZ	120	x 120L
		-45DZ	125	x 125L
		-50DZ	130	x 130L
		-75DZ	155	x 155L
-100DZ	180	x 180L		



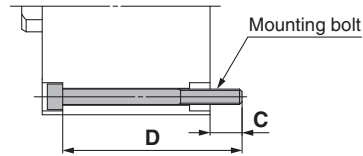
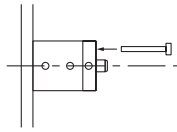
## Mounting Bolt for CDQ2

Mounting method: Mounting bolt for through-hole mounting of the CDQ2B is available as an option.

Refer to the following for ordering procedures.

Order the actual number of bolts that will be used.

Example) CQ-M5 x 50L 2 pcs.



### Head side mounting/With auto switch

Model		C	D	Mounting bolt
10-	11-	CDQ2B12-5DCZ	35	CQ-M3 x 35L
		-10DCZ	40	x 40L
		-15DCZ	45	x 45L
		-20DCZ	50	x 50L
		-25DCZ	55	x 55L
		-30DCZ	60	x 60L
10-	11-	CDQ2B16-5DZ	40	CQ-M3 x 40L
		-10DZ	45	x 45L
		-15DZ	50	x 50L
		-20DZ	55	x 55L
		-25DZ	60	x 60L
		-30DZ	65	x 65L
10-	11-	CDQ2B20-5DZ	40	CQ-M5 x 40L
		-10DZ	45	x 45L
		-15DZ	50	x 50L
		-20DZ	55	x 55L
		-25DZ	60	x 60L
		-30DZ	65	x 65L
		-35DZ	70	x 70L
		-40DZ	75	x 75L
		-45DZ	80	x 80L
		-50DZ	85	x 85L
10-	11-	CDQ2B25-5DZ	40	CQ-M5 x 40L
		-10DZ	45	x 45L
		-15DZ	50	x 50L
		-20DZ	55	x 55L
		-25DZ	60	x 60L
		-30DZ	65	x 65L
		-35DZ	70	x 70L
		-40DZ	75	x 75L
		-45DZ	80	x 80L
		-50DZ	85	x 85L
10-21-	11-22-	CDQ2B32-5DZ	50	CQ-M5 x 50L
		-10DZ	55	x 55L
		-15DZ	60	x 60L
		-20DZ	65	x 65L
		-25DZ	70	x 70L
		-30DZ	75	x 75L
		-35DZ	80	x 80L
		-40DZ	85	x 85L
		-45DZ	90	x 90L
		-50DZ	95	x 95L
		-75DZ	120	x 120L
		-100DZ	145	x 145L
10-21-	11-22-	CDQ2B40-5DZ	60	CQ-M5 x 60L
		-10DZ	65	x 65L
		-15DZ	70	x 70L
		-20DZ	75	x 75L
		-25DZ	80	x 80L
		-30DZ	85	x 85L
		-35DZ	90	x 90L
		-40DZ	95	x 95L
		-45DZ	100	x 100L
		-50DZ	105	x 105L
		-75DZ	130	x 130L
		-100DZ	155	x 155L

Model		C	D	Mounting bolt
10-21-	11-22-	CDQ2B50-10DZ	55	CQ-M6 x 55L
		-15DZ	60	x 60L
		-20DZ	65	x 65L
		-25DZ	70	x 70L
		-30DZ	75	x 75L
		-35DZ	80	x 80L
		-40DZ	85	x 85L
		-45DZ	90	x 90L
		-50DZ	95	x 95L
		-75DZ	120	x 120L
-100DZ	145	x 145L		
10-21-	11-22-	CDQ2B63-10DZ	60	CQ-M8 x 60L
		-15DZ	65	x 65L
		-20DZ	70	x 70L
		-25DZ	75	x 75L
		-30DZ	80	x 80L
		-35DZ	85	x 85L
		-40DZ	90	x 90L
		-45DZ	95	x 95L
		-50DZ	100	x 100L
		-75DZ	125	x 125L
-100DZ	150	x 150L		
10-21-	11-22-	CDQ2B80-10DZ	65	CQ-M10 x 65L
		-15DZ	70	x 70L
		-20DZ	75	x 75L
		-25DZ	80	x 80L
		-30DZ	85	x 85L
		-35DZ	90	x 90L
		-40DZ	95	x 95L
		-45DZ	100	x 100L
		-50DZ	105	x 105L
		-75DZ	130	x 130L
-100DZ	155	x 155L		
10-21-	11-22-	CDQ2B100-10DZ	75	CQ-M10 x 75L
		-15DZ	80	x 80L
		-20DZ	85	x 85L
		-25DZ	90	x 90L
		-30DZ	95	x 95L
		-35DZ	100	x 100L
		-40DZ	105	x 105L
		-45DZ	110	x 110L
		-50DZ	115	x 115L
		-75DZ	140	x 140L
-100DZ	165	x 165L		