

! Contact our sales office for delivery dates and prices as this is a special model.

Specialized Product

Point to Group
P.G. information

5-Port Solenoid Valve with Main Valve Position Detection *SY5100-X30*

Features

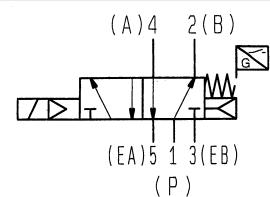
- **The main valve position is detected by the switch.**
Main valve position when the valve is OFF: Signal output
Main valve position when the valve is ON: No signal output
- **Can be used as an interlock signal**



* The sub-plate is ordered separately.

M8/M12 connector available

Symbol



Caution

To ensure the safest possible operation of this product, please be sure to thoroughly read the "Safety Instructions" in our "Best Pneumatics" catalog before use.

SMC Corporation 4-14-1, SOTO-KANDA, CHIYODA-KU, TOKYO 101-0021, JAPAN URL: <http://www.smcworld.com>

©2018 SMC Corporation All Rights Reserved



SP181X-006E
P: WY

Ⓐ

How to Order

SY5100 - **5** **1** - **M9** **N** **W** **S** **A** **PC** - **X30**

Pilot

| | |
|------------|----------------|
| Nil | Internal pilot |
| R | External pilot |

Connector specifications

| | |
|----------|-----------|
| A | M8-3 pin |
| B | M8-4 pin |
| D | M12-4 pin |

Light/Surge voltage suppressor and common specifications

| Symbol | With light | Surge voltage suppressor | Common specifications |
|------------|------------|--------------------------|-----------------------|
| Nil | — | — | Non-polarity |
| R | — | ● | |
| U | ● | | |
| S | — | | Positive common |
| Z | ● | | Negative common |
| NS | — | | |
| NZ | ● | | |

Cable length

| | |
|----------|-------|
| S | 0.5 m |
| M | 1.0 m |

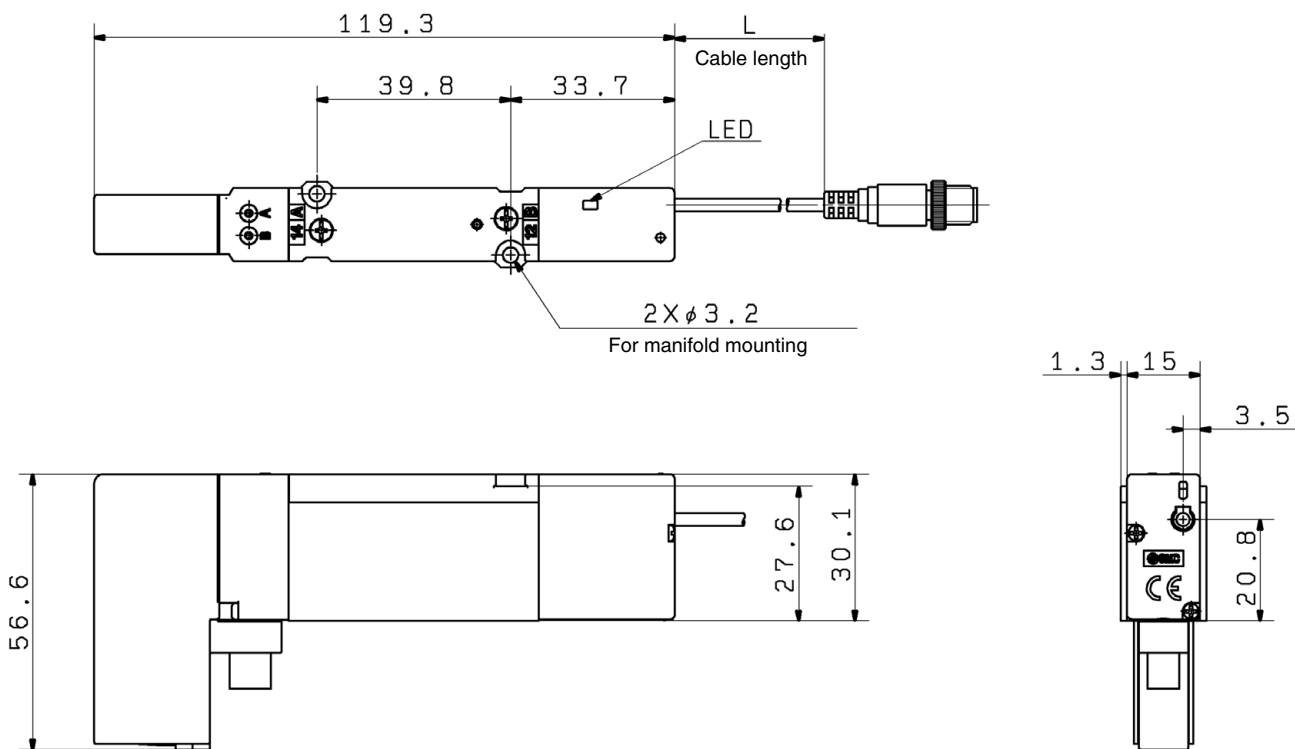
Wiring/Output type (Auto switch)

| | |
|----------|------------|
| N | 3-wire/NPN |
| P | 3-wire/PNP |
| B | 2-wire |

* For details on auto switches, refer to the catalog of the 2-color indicator solid state auto switch/direct mounting type (D-M9□W).

Dimensions

[mm]



| Connector | M8-3 pin | M8-4 pin | M12-4 pin |
|-----------------|----------|----------|-----------|
| Pin arrangement | | | |

Connector pin assignment

| Wiring/Output type | Sensor type | Meaning of contact number | | | |
|--------------------|----------------|---------------------------|-------|--------|---------|
| | | 1 pin | 2 pin | 3 pin | 4 pin |
| N/P | DC 3-wire type | DC (+) | — | DC (-) | OUT |
| B | DC 2-wire type | OUT (+) | — | — | OUT (-) |