



Operation Manual

PRODUCT NAME

Pressure Sensor

MODEL / Series / Product Number

PSE53#

SMC Corporation

Table of Contents

| | |
|---------------------------------------|----|
| Safety Instructions | 3 |
| Model Identification and how to order | 9 |
| Definition and terminology | 9 |
| Mounting and Installation | 10 |
| Wiring | 10 |
| Troubleshooting | 12 |
| Specification | 13 |
| Specifications | 13 |
| Dimensions | 15 |



Safety Instructions

These safety instructions are intended to prevent hazardous situations and/or equipment damage. These instructions indicate the level of potential hazard with the labels of “**Caution**,” “**Warning**” or “**Danger**.” They are all important notes for safety and must be followed in addition to International Standards (ISO/IEC)^{*)}, and other safety regulations.

*1) ISO 4414: Pneumatic fluid power - General rules and safety requirements for systems and their components
ISO 4413: Hydraulic fluid power - General rules and safety requirements for systems and their components
IEC 60204-1: Safety of machinery - Electrical equipment of machines - Part 1: General requirements
ISO 10218-1: Robots and robotic devices - Safety requirements for industrial robots - Part 1: Robots
etc.



Danger

Danger indicates a hazard with a high level of risk which, if not avoided, will result in death or serious injury.



Warning

Warning indicates a hazard with a medium level of risk which, if not avoided, could result in death or serious injury.



Caution

Caution indicates a hazard with a low level of risk which, if not avoided, could result in minor or moderate injury.



Warning

1. The compatibility of the product is the responsibility of the person who designs the equipment or decides its specifications.

Since the product specified here is used under various operating conditions, its compatibility with specific equipment must be decided by the person who designs the equipment or decides its specifications based on necessary analysis and test results. The expected performance and safety assurance of the equipment will be the responsibility of the person who has determined its compatibility with the product. This person should also continuously review all specifications of the product referring to its latest catalog information, with a view to giving due consideration to any possibility of equipment failure when configuring the equipment.

2. Only personnel with appropriate training should operate machinery and equipment.

The product specified here may become unsafe if handled incorrectly. The assembly, operation and maintenance of machines or equipment including our products must be performed by an operator who is appropriately trained and experienced.

3. Do not service or attempt to remove product and machinery/equipment until safety is confirmed.

1. The inspection and maintenance of machinery/equipment should only be performed after measures to prevent falling or runaway of the driven objects have been confirmed.
2. When the product is to be removed, confirm that the safety measures as mentioned above are implemented and the power from any appropriate source is cut, and read and understand the specific product precautions of all relevant products carefully.
3. Before machinery/equipment is restarted, take measures to prevent unexpected operation and malfunction.

4. SMC products cannot be used beyond their specifications. They are not developed, designed, and manufactured to be used under the following conditions or environments. Use under such conditions or environments is not allowed.

1. Conditions and environments outside of the given specifications, or use outdoors or in a place exposed to direct sunlight.
2. Use for nuclear power, railways, aviation, space equipment, ships, vehicles, military application, equipment affecting human life, body, and property, combustion equipment, entertainment equipment, emergency shut-off circuits, press clutches, brake circuits, safety equipment, etc., and use for applications that do not conform to standard specifications such as catalogs and operation manuals.
3. Use for interlock circuits, except for use with double interlock such as installing a mechanical protection function in case of failure. Please periodically inspect the product to confirm that the product is operating properly.



Safety Instructions

Caution

SMC develops, designs, and manufactures products to be used for automatic control equipment, and provides them for peaceful use in manufacturing industries.

Use in non-manufacturing industries is not allowed.

Products SMC manufactures and sells cannot be used for the purpose of transactions or certification specified in the Measurement Act of each country.

The new Measurement Act prohibits use of any unit other than SI units in Japan.

Limited warranty and Disclaimer/Compliance Requirements

The product used is subject to the following “Limited warranty and Disclaimer” and “Compliance Requirements”.

Read and accept them before using the product.

Limited warranty and Disclaimer

1. The warranty period of the product is 1 year in service or 1.5 years after the product is delivered, whichever is first.* 2)
Also, the product may have specified durability, running distance or replacement parts. Please consult your nearest sales branch.
2. For any failure or damage reported within the warranty period which is clearly our responsibility, a replacement product or necessary parts will be provided.
This limited warranty applies only to our product independently, and not to any other damage incurred due to the failure of the product.
3. Prior to using SMC products, please read and understand the warranty terms and disclaimers noted in the specified catalog for the particular products.

***2) Vacuum pads are excluded from this 1 year warranty.**

A vacuum pad is a consumable part, so it is warranted for a year after it is delivered.

Also, even within the warranty period, the wear of a product due to the use of the vacuum pad or failure due to the deterioration of rubber material are not covered by the limited warranty

Compliance Requirements

1. The use of SMC products with production equipment for the manufacture of weapons of mass destruction (WMD) or any other weapon is strictly prohibited.
2. The exports of SMC products or technology from one country to another are governed by the relevant security laws and regulations of the countries involved in the transaction. Prior to the shipment of a SMC product to another country, assure that all local rules governing that export are known and followed.

Operator

- ◆ This operation manual is intended for those who have knowledge of machinery using pneumatic equipment, and have sufficient knowledge of assembly, operation and maintenance of such equipment. Only those persons are allowed to perform assembly, operation and maintenance.
- ◆ Read and understand this operation manual carefully before assembling, operating or providing maintenance to the product.

■ Safety Instructions

Warning

- Do not disassemble, modify (including changing the printed circuit board) or repair.
An injury or failure can result.
- Do not operate the product outside of the specifications.
Do not use for flammable or harmful fluids.
Fire, malfunction, or damage to the product can result.
Verify the specifications before use.
- Do not operate in an atmosphere containing flammable or explosive gases.
Fire or an explosion can result.
This product is not designed to be explosion proof.
- Do not use the product in a place where static electricity is a problem.
Otherwise it can cause failure or malfunction of the system.
- If using the product in an interlocking circuit:
 - Provide a double interlocking system, for example a mechanical system
 - Check the product regularly for proper operationOtherwise malfunction can result, causing an accident.
- The following instructions must be followed during maintenance:
 - Turn off the power supply
 - Stop the air supply, exhaust the residual pressure and verify that the air is released before performing maintenanceOtherwise an injury can result.

Caution

- After maintenance is complete, perform appropriate functional inspections and leak tests.
 - Stop operation if the equipment does not function properly or there is a leakage of fluid.
 - When leakage occurs from parts other than the piping, the product might be faulty.
 - Disconnect the power supply and stop the fluid supply.
 - Do not apply fluid under leaking conditions.
 - Safety cannot be assured in the case of unexpected malfunction.

■ **NOTE**

- Follow the instructions given below when designing, selecting and handling the product.
 - The instructions on design and selection (installation, wiring, environment, adjustment, operation, maintenance, etc.) described below must also be followed.
 - *Product specifications
 - Use the specified voltage.
 - Otherwise failure or malfunction can result.
 - For the details of compressed air quality, refer to ISO 8573-1, 1.1.2 to 1.6.2: 2001.
 - This can cause operating failure.
 - If compressed air containing condensate is used, install an air dryer or drain catch before the filter and perform drainage regularly.
 - If drainage is not performed regularly and condensate enters the secondary side, it can cause operating failure of pneumatic equipment.
 - If regular drainage is difficult, the use of a filter with an auto drain is recommended.
 - Applicable fluid is air, inert gases and incombustible gases.
 - Do not use a fluid containing chemicals, synthetic oils including organic solvent, salt and corrosive gases.
 - Otherwise, damage to the product and malfunction can result.
 - Check the details of the specifications before using.
 - Use the specified operating pressure.
 - Otherwise it can cause damage to the Pressure Sensor or inability to measure correctly.
 - Reserve a space for maintenance.
 - Allow sufficient space for maintenance when designing the system.

●Product handling

*Installation

- Tighten to the specified tightening torque.
If the tightening torque is exceeded the mounting screws and brackets may be broken.
If the tightening torque is insufficient, the product can be displaced and loosen the mounting screws.
- Be sure to ground terminal FG when using a commercially available switch-mode power supply.
- Do not drop, hit or apply shock to the Pressure Sensor.
Otherwise damage to the internal parts can result, causing malfunction.
- Do not pull the lead wire forcefully, not lift the product by pulling the lead wire. (Tensile force 23N or less)
Hold the body when handling to avoid the damage of the Pressure Sensor lead to cause the failure and malfunction.
- For piping of the Pressure Sensor, hold the piping with a spanner on the metal part of the piping (Piping attachment).
Holding other part with spanner leads to damage the Pressure Sensor.
- Eliminate any dust left in the piping by air blow before connecting the piping to the product.
Otherwise it can cause damage or malfunction.
- Do not insert metal wires or other foreign matter into the pressure measurement port.
It can damage the Pressure Sensor causing failure or malfunction.
- If the entering of foreign material to the fluid is possible, install and pipe the filter or the mist separator to the inlet to avoid failure and malfunction.

*Wiring

- Do not pull the lead wires.
In particular, never lift a Pressure Sensor equipped with fitting and piping by holding the lead wires.
- Avoid repeatedly bending or stretching the lead wire, or placing heavy load on them.
Repetitive bending stress or tensile stress can cause the sheath of the wire to peel off, or breakage of the wire.
If the lead wire can move, fix it near the body of the product.
The recommended bend radius of the lead wire is 6 times the outside diameter of the sheath, or 33 times the outside diameter of the insulation material, whichever is larger.
Replace the damaged lead wire with a new one.
- Wire correctly.
Incorrect wiring can break the Pressure Sensor.
- Do not perform wiring while the power is on.
Otherwise damage to the internal parts can result, causing malfunction.
- Do not route wires and cables together with power or high voltage cables.
Otherwise the product can malfunction due to interference of noise and surge voltage from power and high voltage cables to the signal line. Route the wires (piping) of the product separately from power or high voltage cables.
- Confirm proper insulation of wiring.
Poor insulation (interference from another circuit, poor insulation between terminals, etc.) can lead to excess voltage or current being applied to the product, causing damage.
- Keep wiring as short as possible to prevent interference from electromagnetic noise and surge voltage.
Do not use a cable longer than 30 m.
Wire the DC(-) line(blue) as close as possible to the power supply.
- When analog output is used, install a noise filter (line noise filter, ferrite element, etc.) between the switch-mode power supply and this product.

*Environment

- Do not use the product in area that is exposed to corrosive gases, chemicals, sea water, water or steam. Otherwise failure or malfunction can result.
- Do not use in a place where the product could be splashed by oil or chemicals.
If the product is to be used in an environment containing oils or chemicals such as coolant or cleaning solvent, even for a short time, it may be adversely affected (damage, malfunction, or hardening of the lead wires).
- Do not use in an area where surges are generated.
If there is equipment which generates a large amount of surge (solenoid type lifter, high frequency induction furnace, motor, etc.) close to the Pressure Sensor, this may cause deterioration or breakage of the internal circuit of the Pressure Sensor. Avoid sources of surge generation and crossed lines.
- The product is CE/UKCA marked, but not immune to lightning strikes. Take measures against lightning strikes in the system.
- Mount the product in a place that is not exposed to vibration or impact.
Otherwise failure or malfunction can result.
- Prevent foreign matter such as remnant of wires from entering the Pressure Sensor.
Take proper measures for the remnant not to enter the Pressure Sensor in order to prevent failure or malfunction.
- Do not use the product in an environment that is exposed to temperature cycle.
Heat cycles other than ordinary changes in temperature can adversely affect the inside of the product.
- Do not expose the product to direct sunlight.
If using in a location directly exposed to sunlight, shade the product from the sunlight.
Otherwise failure or malfunction can result.
- Keep within the specified fluid and ambient temperatures range.
The fluid and ambient temperatures should be 0 to 50 °C. Operation under low temperature leads to cause damage or operation failure due to frozen moist in the fluid or air.
Protection against freezing is necessary. Air dryer is recommended for elimination of drain and water.
Avoid sudden temperature change even within specified temperature.
- Do not operate close to a heat source, or in a location exposed to radiant heat.
Otherwise malfunction can result.

*Adjustment and Operation

- Do not short-circuit the load.
- If using the product to detect very small pressure rates, warm up the product for 20 to 30 minutes first.
There will be a drift on the analog output of approximate $\pm 1\%$ immediately after the power supply is turned on, within 10 minutes.

*Maintenance

- Turn off the power supply, stop the supplied air, exhaust the residual pressure and verify the release of air before performing maintenance.
There is a risk of unexpected malfunction.
- Perform regular maintenance and inspections.
There is a risk of unexpected malfunction.
- Perform drainage regularly.
If condensate enters the secondary side, it can cause operating failure of pneumatic equipment.
- Do not use solvents such as benzene, thinner etc. to clean the Pressure Sensor.
They could damage the surface of the body and erase the markings on the body.
Use a soft cloth to remove stains. For heavy stains, use a cloth soaked with diluted neutral detergent and fully squeezed, then wipe up the stains again with a dry cloth.

Model Indication and how to order

PSE53 **0** - **M5** - **L**

Sensor range

| Symbol | Content |
|--------|-------------------------------------|
| 0 | Positive pressure (0 to 1 MPa) |
| 1 | Vacuum pressure (0 to -101 kPa) |
| 2 | Low pressure (0 to 101 kPa) |
| 3 | Compound pressure (-101 to 101 kPa) |

Option

| Symbol | Content |
|--------|-----------------------------------------------------------------------|
| Nil | No option |
| L | Sensor cable (3 m) |
| C2L | Connector for pressure sensor controller (1 pc.) + Sensor cable (3 m) |

Port size

| Symbol | Content |
|--------|------------------|
| M5 | M5 x 0.8 |
| R06 | φ 6 reducer |
| R07 | 1/4 inch reducer |

○Option

| Description | Part number | Remarks |
|---------------------------------------------------------|-------------|------------------------------------------------------------------------------------------|
| Connector for pressure sensor controller | ZS-28-C | 1 pc. per set |
| Sensor cable | ZS-26-F | Cable length: 3 m |
| Connector for pressure sensor controller + Sensor cable | ZS-26-J | Cable length: 3 m The connector is not connected to the cable at the time of shipment |

■Definition and terminology

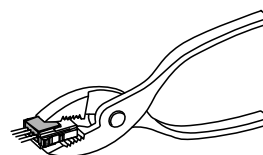
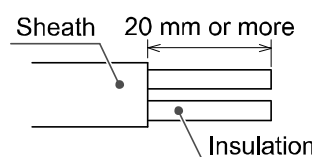
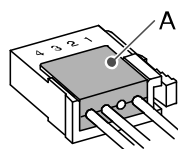
| | Terms | Meaning |
|---|-----------------------------|-----------------------------------------------------------------------------------------------------------------------------------------------------------------------------------------------------------------------------------------------------------------------------------------------------------------------------------------------------------------------------------------------------------------------------------------------------------------------------------------------------------------------------------------------------------------------------------------------------------------------------------------------------------------------------------------------------------------------------------------------------------|
| F | F.S. (full span/full scale) | Abbreviation for full span and full scale; means the maximum fluctuation range of the Pressure switch rated value. For example, when the output voltage is 1 to 5[V], the F.S. will be 5-1 = 4[V]. (Reference: 1%F.S. = 4 × 0.01 = 0.04[V]) |
| O | Output impedance | The resistance value of a component between the voltage outputting element and the output line at the output of the analog voltage output. It is indicated as a resistance value which is converted in accordance with the condition in which resistance is directly connected to the voltage output element. There may be an error in the output voltage depending on this output impedance and the input impedance of customers' equipment. (Example: If the Pressure switch with output impedance of 1kΩ is connected to the A/D converter to detect the analog output of 5 V, the detected voltage by the A/D converter becomes $5(V) \times 1(M\Omega) / (1(k\Omega) + 1(M\Omega)) \doteq 4.995(V)$, and there is an error of approximate 0.005 V.) |
| R | Rated pressure range | The pressure range in which the Pressure switch satisfies the specifications. Values over this range can be set if they are within the set pressure range, but cannot assured the specifications to be satisfied. |
| | Repeatability | Reproducibility of the displayed value for pressure and ON-OFF output operating point when the pressure changes at a temperature of 25 °C. |
| | Ripple | A type of chattering. |

Mounting and Installation

■Wiring

- Attaching the connector to the lead wire
 - Sensor wire is stripped as shown in the right figure.
 - Do not cut the insulation.
 - The core of the corresponding color shown in the following table is put into the pin of the number stamped on the connector for sensor connection to the back.

| Pin No. | Wire color |
|---------|----------------------|
| 1 | Brown (DC+) |
| 2 | NC |
| 3 | Blue (DC-) |
| 4 | Black (IN: 1 to 5 V) |



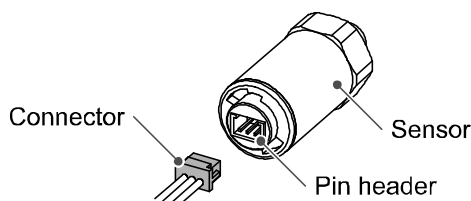
- It checks that the above-mentioned preparation work has been performed correctly, and A part shown in right figure is pushed by hand and makes temporary connection.
- A part center is straightly pushed in by tools, such as pliers.
- Re-use cannot be performed once it connects the connector for sensor connection completely. When you fail in the connection mistake of a core and a pin, or the plug of wire, please use the new connector for sensor connection.
- When connecting the connector to PSE200/PSE300 series, please use the connector for sensor lead wire (ZS-28-C) or *e-con* as below.

| Maker | Model No. |
|------------------|------------------|
| Sumitomo 3M | 37104-3101-000FL |
| Tyco Electronics | 3-1473562-4 |
| OMRON | XN2A-1430 |

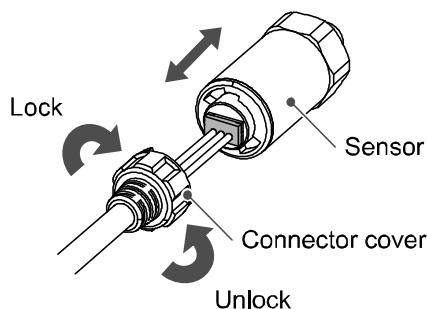
- Please contact with each connector maker about *e-con* catalogue.

○How to connect the cable for sensor (Option)

- Pick with fingers the connector of cable sensor. Insert it paying attention of connector direction.



- Cable for sensor have connector cover in order to prevent fall of connector.
- Paying attention for connector cover direction, install on the sensor, rotate clockwise, and lock it.
- To remove cable for sensor, rotate the connector cover anti-clockwise, release lock, and remove connector cover. After removing connector, pick with connector with fingers and pull out.

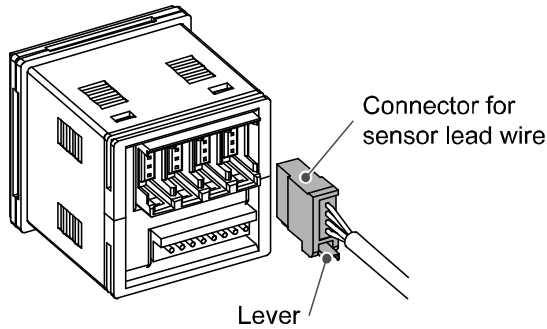


○ Connector and applicable pressure sensor

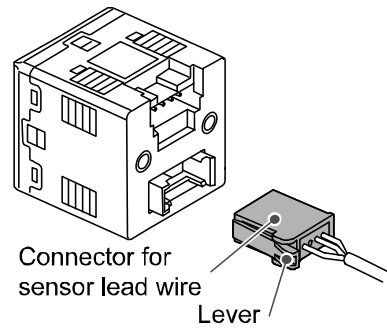
Connecting/Disconnecting

- When connecting the connector, insert it straight onto the pin holding the lever and connector body between fingers and lock the connector by pushing the lever claw into the square groove in the housing until connector clicks.
- When disconnecting the connector, push down the lever by thumb to disengage the lever claw from the square groove. Then pull the connector straight out.

PSE200 series



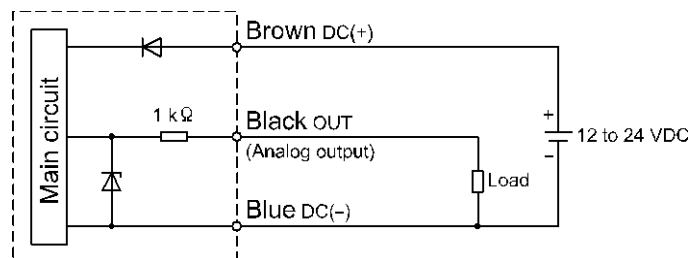
PSE300 series



○ Internal circuit and wiring example

● Output specification

Voltage output: 1 to 5 V
Output impedance: Approx. 1 kΩ



Troubleshooting

○Cross-reference for troubleshooting

| Problem | Possible cause | Investigation method | Countermeasure |
|--------------------------------------------------------------------------|------------------------------------|----------------------------------------------------------------------------------------------------------------------------|----------------------------------------------------------------------------------------------------------------------------------------------------------|
| Analog output is not provided. (Specified accuracy is not satisfied.) | Incorrect wiring | Check if the analog output line is connected with a load. | Correct the wiring. |
| | Non-compliance with the load spec. | (1) Check if the proper load is connected. (2) Check if input impedance of input equipment (A/D transformer) is proper. | Connect a proper load. |
| | Insufficient warm-up | Check if the product satisfies the specified accuracy in 20 minutes after supplying power. | After energizing, indication and output can drift. For detecting fine pressure, warm up the product for 20 to 30 minutes. |
| | Product failure | | Replace the product. |
| Noisy. | Air and liquid leakage | Check if air liquid are leaking from the piping. | Rework the piping. If excessive tightening torque over the specified range is applied, a mounting screw, mounting bracket, and product may be broken. |
| | Product failure | | Replace the product. |

Specification

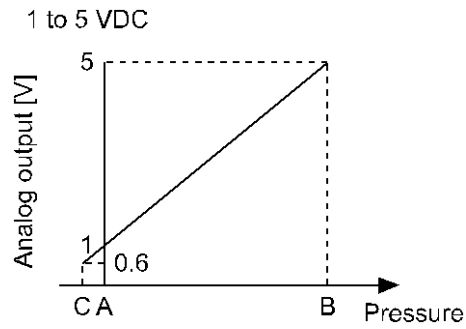
■ Specifications

| Model No. | PSE530 | PSE531 | PSE532 | PSE533 |
|--------------------------------------------|-------------------------------------------------------------------------------------------------------------------------------------------------|----------------------------------------------------------------------------|----------------|-----------------|
| Rated pressure range | 0 to 1 MPa | 0 to -101 kPa | 0 to 101 kPa | -101 to 101 kPa |
| Extension analog output range | -0.1 to 0 MPa | 10.1 to 0 kPa | -10.1 to 0 kPa | - |
| Withstand pressure | 1.5 MPa | 500 kPa | | |
| Applicable | Air, inert gases and incombustible gases | | | |
| Power supply voltage | 12 to 24 VDC±10%, ripple (p-p) 10% or less (Protected against inverse connection) | | | |
| Current consumption | 15 mA or less (with no load) | | | |
| Output specification | Analog output: 1 to 5 VDC (with rated pressure range) 0.6 to 1 VDC (with extension analog output range) Output impedance: Approx. 1 kΩ | | | |
| Accuracy (Ambient temperature at 25 °C) | ±2%F.S. (with rated pressure range), ±5%F.S.(with extension analog output range) | | | |
| Linearity | ±1%F.S. | | | |
| Repeatability | ±1%F.S. | | | |
| Power supply voltage effect | ±1%F.S. or less based on the analog output at 18 V ranging from 12 to 24 VDC | | | |
| Environment | Enclosure | IP40 | | |
| | Ambient temperature range | Operation: 0 to 50 °C, Storage: -10 to 70 °C (No condensation or freezing) | | |
| | Ambient humidity range | Operation, Storage: 35 to 85%RH (No condensation) | | |
| | Withstand voltage | 1000 VAC, 50/60 Hz, 1 minute, between terminals and housing | | |
| | Insulation resistance | 5 MΩ or more at 500 VDC between terminals and housing | | |
| Temperature characteristic | ±2%F.S. (25 °C reference) | | | |
| Sensor cable/Option | Halogen-free heavy-duty cable 3 cores ø2.7 3 m Sectional area of conductor: 0.15 mm ² Outside diameter of insulator: 0.8 mm | | | |
| Standard | CE/UKCA marked | | | |

○ Piping specifications

| Model No. | M5 | R06 | R07 |
|-----------------------|---------------------------------------|-----------------|-----------------------|
| Port size | M5 x 0.8 male thread | ø6 reducer type | 1/4 inch reducer type |
| Wetted parts material | Pressure sensor: Silicon, O-ring: NBR | | |
| | Body: Stainless steel 304 | Body: PBT | |
| Mass | With sensor cable (3 m) | 41 g | 38 g |
| | Without sensor cable | 7 g | 3.8 g |

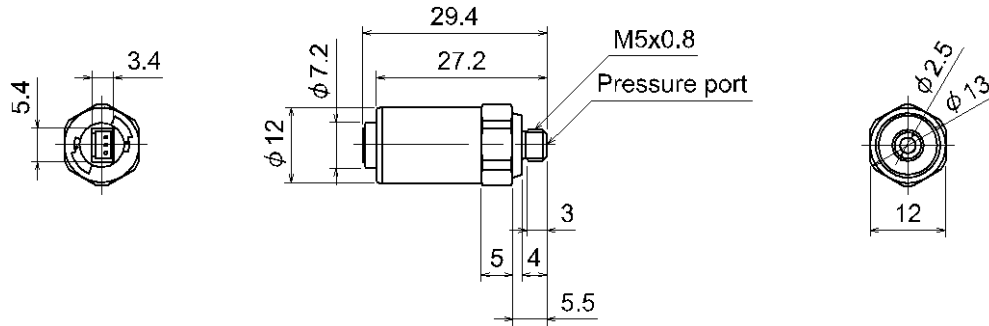
○Analog output



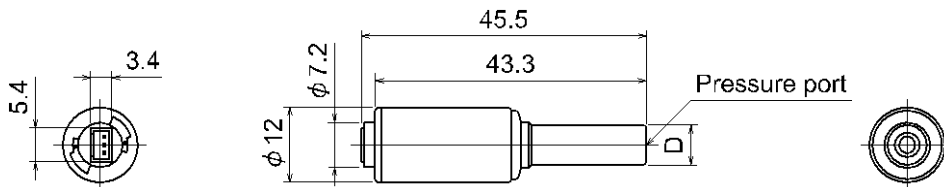
| Range | Rated pressure range | A | B | C |
|-----------------------|----------------------|----------|----------|-----------|
| For vacuum | 0 to -101 kPa | 0 | -101 kPa | 10.1 kPa |
| For compound | -101 to 101 kPa | -101 kPa | 101 kPa | - |
| For low pressure | 0 to 101 kPa | 0 | 101 kPa | -10.1 kPa |
| For positive pressure | -0 to 1 MPa | 0 | 1 MPa | -0.1 MPa |

■Dimensions

•PSE53#-M5

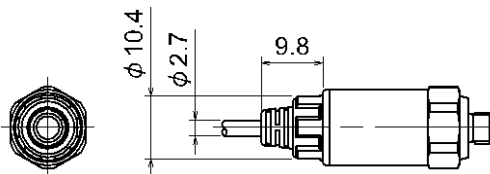


•PSE53#-R06 R07



| Model No. | Applicable fitting size (D) |
|------------|-----------------------------|
| PSE53#-R06 | 6 mm |
| PSE53#-R07 | 1/4 inch |

•With sensor cable



Revision history

A: For *e-CON*
B: Change template.
C: Complete revision.
D: Modified errors in text.
E: Measurement laws are added.
F: Modified errors in text. [October 2017]
G: Contents revised in several places. [July 2018]
H: Contents revised in several places. [May 2024]
I: Contents revised in several places.
[September 2024]

SMC Corporation

Tel: + 81 3 5207 8249 Fax: +81 3 5298 5362
URL <https://www.smcworld.com>

Note: Specifications are subject to change without prior notice and any obligation on the part of the manufacturer.
© SMC Corporation All Rights Reserved

