



# Operation Manual

PRODUCT NAME

Pulse Valve

MODEL / Series / Product Number

JSXF※E

**SMC Corporation**

# Piping method for JSXF※ E

## Piping

### ⚠ Warning:

- (1) Do not use the compression fitting of the valve to support the piping.  
The piping could disconnect from the valve. Be sure to mount the valve to secured piping.  
(Compression fittings do not have a valve-holding function.)

### ⚠ Caution

- Tightening of the compression nut

Be sure to tighten the compressor nut sufficiently to prevent the nut from loosening and to prevent leakage from occurring.

Wrench Tightening Angle after Hand-tightening (Guide for tightening the nut)

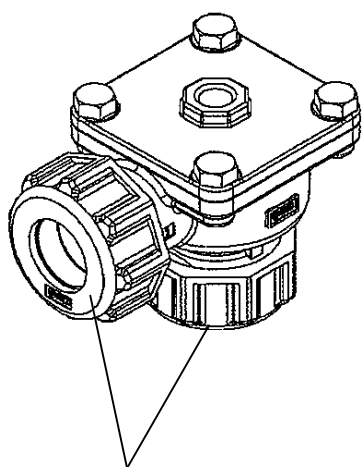
Size	Additional tightening angle
3/4"(20A)	90° ~ 270°
1"(25A)	135° ~ 315°
1 1/2"(40A)	150° ~ 330°

Note 1) Mount the valve to the fixed piping.

Note 2) Insert the piping until it stops to prevent the piping from being slanted.

Note 3) Do not expose the piping to oil or moisture. Otherwise, the valve may come off easily.

Note 4) Sealing performance will decrease due to the deterioration of seals. Tighten the compression nut regularly.



Compression nut

## SMC Corporation

4-14-1, Sotokanda, Chiyoda-ku, Tokyo 101-0021 JAPAN

Tel: +81 3 5207 8249 Fax: +81 3 5298 5362

URL <https://www.smcworld.com>

