

Snow protection hood

Thermo chiller

HRS-BK003/004

Introduction

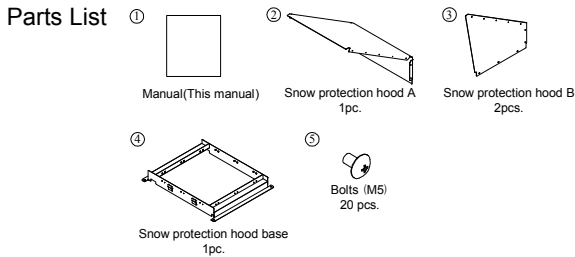
Thank you for purchasing SMC's HRS Thermo chiller. This [Snow protection hood] is used for the thermo-chiller HRS series. Please confirm the following procedure before handling.

Safety caution

- This work that handles heavy product, should be done by a person who has enough knowledge of general machineries. Check the safety before the work.
- Read and understand the Thermo chiller's operation manual before the work.
- Do not supply power during the work. Be sure to check that the power supply is shut off.
- This product is a heavy product. Installing should be done more than 2 persons.

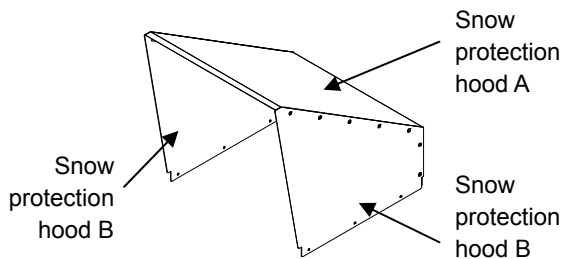
1. Parts and Accessories

This [Snow protection hood] includes the following parts. Please check that all the parts are included.

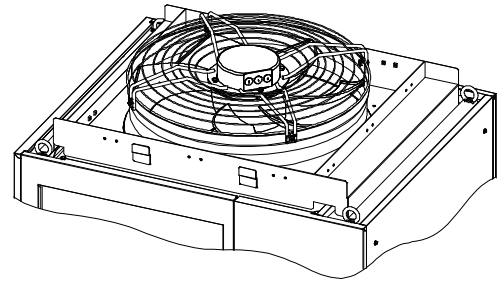
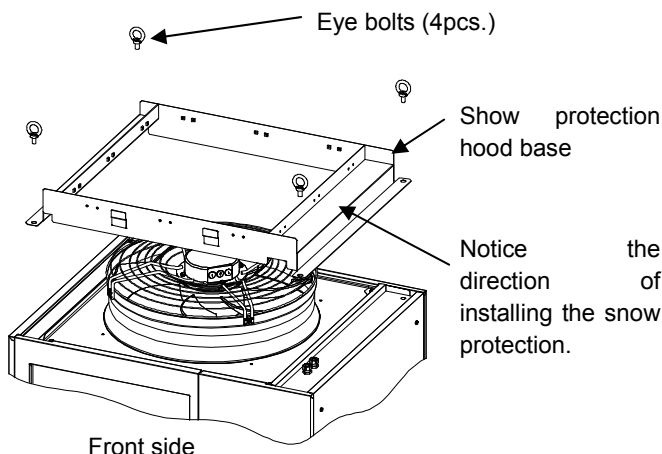


2. Fastening

- 1) Assemble the snow protection hood. Fix the snow protection hood B (2pcs.) to the snow protection hood A by M5 bolts(14pcs) (Recommended torque:3N/m).

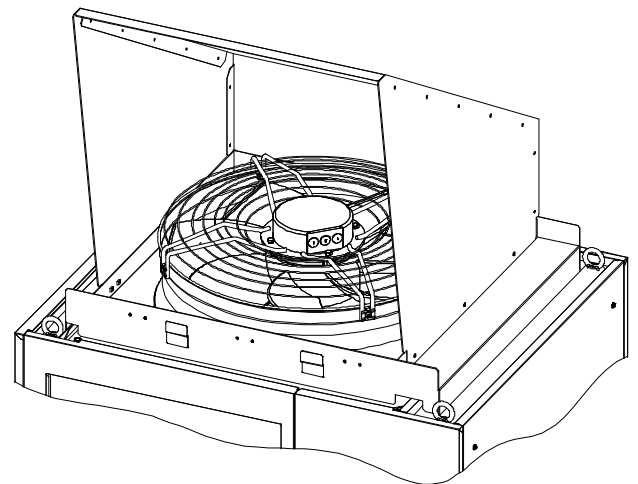
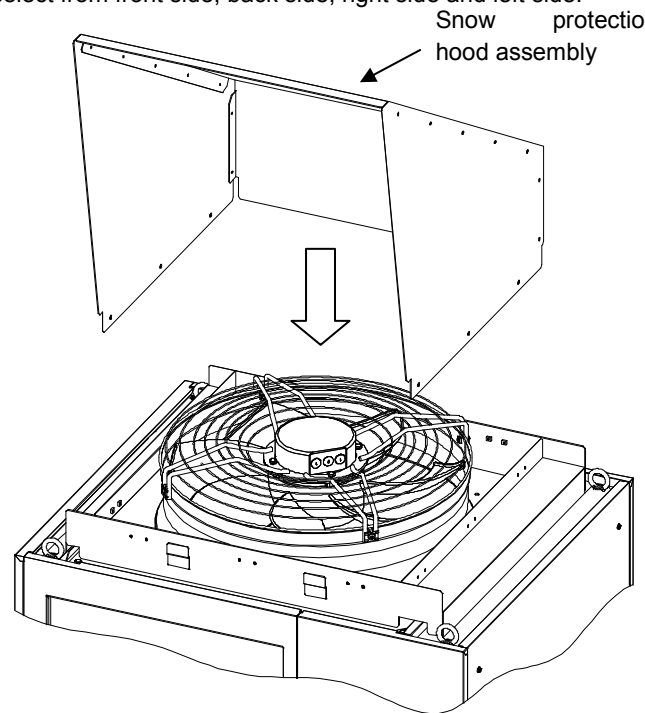


- 2) Remove the eye bolts from the thermo chiller. Install the show protection hood base and fasten the eye bolts.



Install condition

- 3) Install the snow protection hood assembly. Fasten M5 bolts(6pcs.) after install the snow protection hood assembly on the snow protection hood base(Recommended torque:3N/m). The exhaust direction of the snow protection hood assembly can select from front side, back side, right side and left side.



Finish