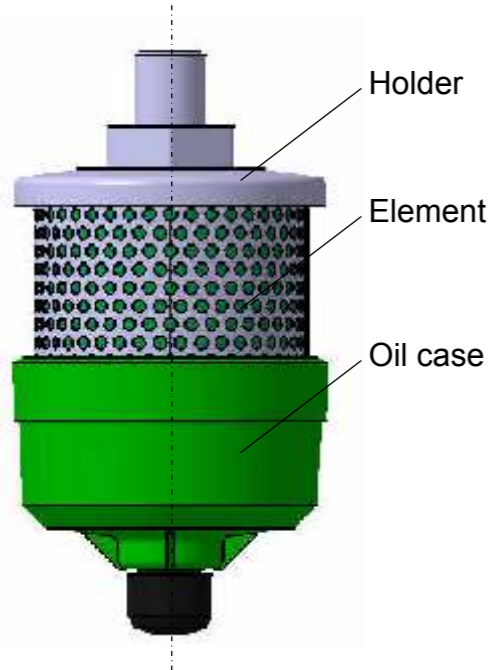
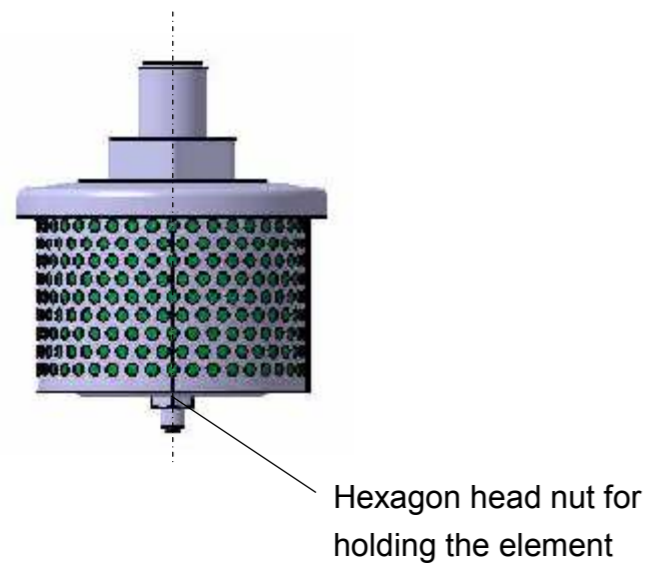


Exhaust Cleaner (AMC 2* to 6*)
How to Replace Element

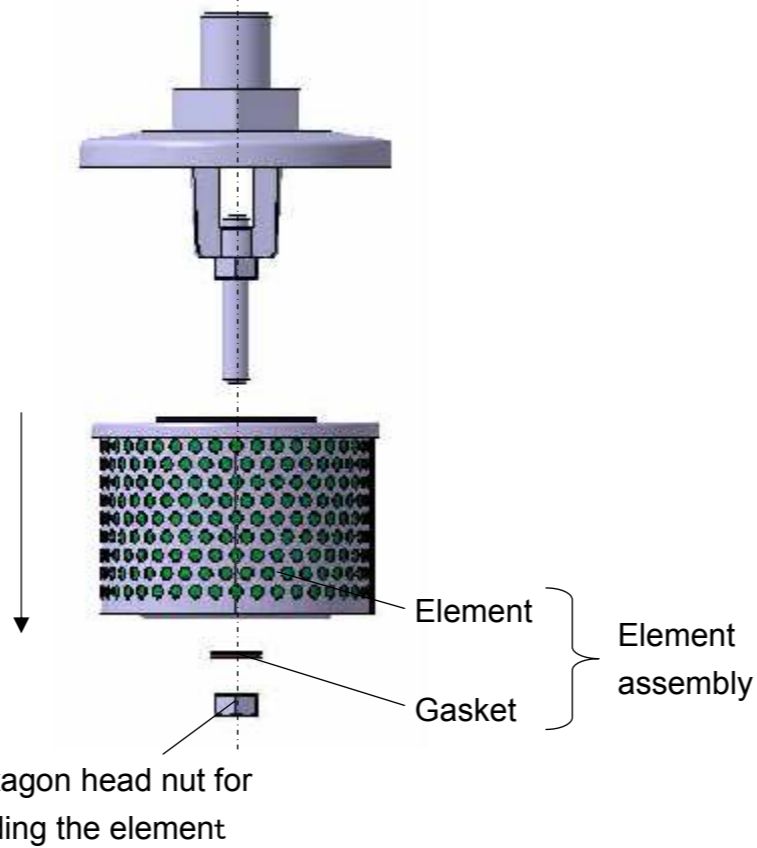
1. Loosen and take the oil case off by rotating it by hand in the counter clockwise direction.



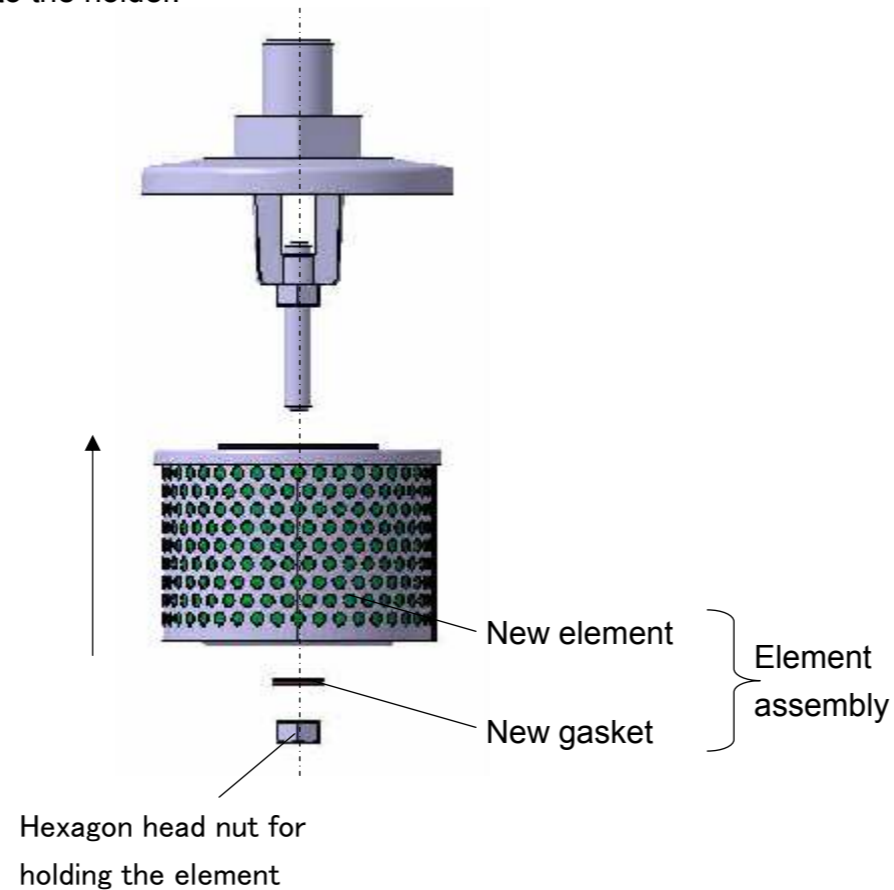
2. Rotate and remove the element holding hexagon head nut using a spanner.
When the hexagon head nut is removed, the element and gasket may drop. Hold them by hand to prevent them from dropping.



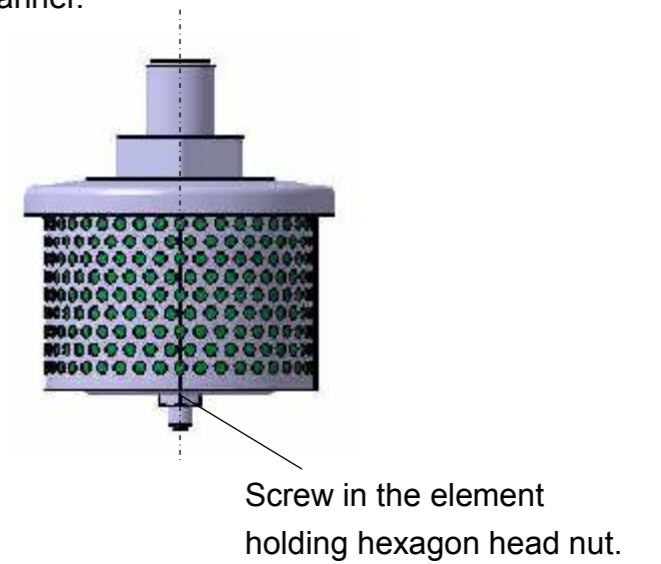
3. After removing the hexagon head screw, pull the gasket and element downward to remove them.



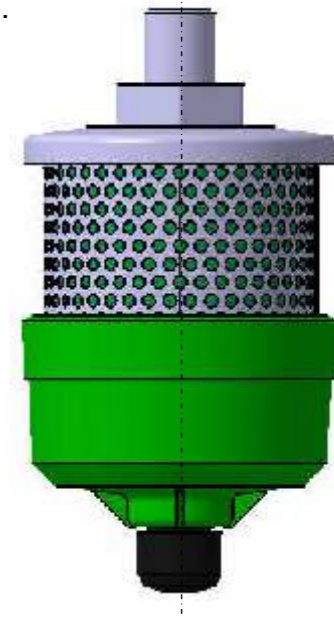
4. Replace the element and gasket with a new one, and mount them into the holder.



5. Screw in the element holding hexagon head nut.
After tightening by hand, tighten it additionally by approx. 180 degrees with a spanner.



6. Tighten the oil case by hand in the clockwise direction.
(Do not use any tools such as a spanner. Otherwise, the oil case will be damaged.)



Applicable model and Element assembly No.

Applicable model	Element assembly No.
AMC220	AMC-EL2
AMC310,320	AMC-EL3
AMC510,520	AMC-EL5
AMC610	AMC-EL6