

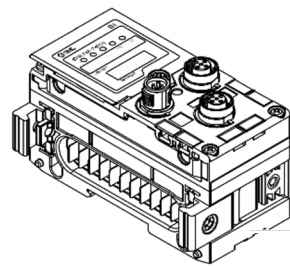


ORIGINAL INSTRUCTIONS

## Instruction Manual

## Fieldbus device - SI unit for CC-Link

## EX600-SMJ1 / -SMJ2



The intended use of this product is to control pneumatic valves and I/O while connected to the CC-Link protocol.

## 1 Safety Instructions

These safety instructions are intended to prevent hazardous situations and/or equipment damage. These instructions indicate the level of potential hazard with the labels of "Caution," "Warning" or "Danger." They are all important notes for safety and must be followed in addition to International Standards (ISO/IEC) <sup>(1)</sup>, and other safety regulations.

<sup>(1)</sup> ISO 4414: Pneumatic fluid power - General rules relating to systems.

ISO 4413: Hydraulic fluid power - General rules relating to systems.

IEC 60204-1: Safety of machinery - Electrical equipment of machines. (Part 1: General requirements)

ISO 10218-1: Manipulating industrial robots - Safety, etc.

- Refer to product catalogue, Operation Manual and Handling Precautions for SMC Products for additional information.
- Keep this manual in a safe place for future reference.

<b>Caution</b>	Caution indicates a hazard with a low level of risk which, if not avoided, could result in minor or moderate injury.
<b>Warning</b>	Warning indicates a hazard with a medium level of risk which, if not avoided, could result in death or serious injury.
<b>Danger</b>	Danger indicates a hazard with a high level of risk which, if not avoided, will result in death or serious injury.

**Warning**

- Always ensure compliance with relevant safety laws and standards.
- All work must be carried out in a safe manner by a qualified person in compliance with applicable national regulations.

## 2 Specifications

The EX600 range of units can be connected to a fieldbus to realize the reduction of input / output device wiring and a distributed control system.

The system communicates with the fieldbus through the SI unit.

One SI unit can be connected to manifold valves with up to 32 outputs, and to input, output, I/O units to a maximum of 9 units.

## 2.1 General specifications

Item	Specifications
Ambient temperature	-10 to +50 °C
Ambient humidity	35 to 85% RH (no condensate)
Ambient storage temperature	-20 to +60 °C
Withstand voltage	500 VAC applied for 1 minute
Insulation resistance	500 VDC, 10 MΩ or more
Enclosure rating	IP67 (manifold assembled)
Weight	300 g

## 2 Specifications (continued)

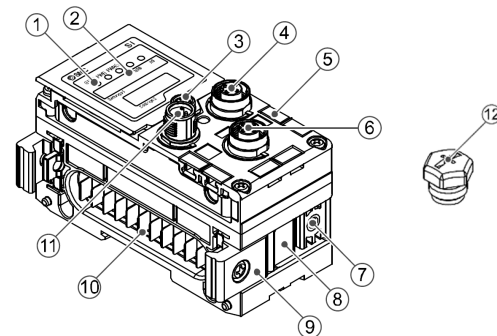
## 2.2 Electrical specifications

Item		Specifications	
Power supply voltage / current	Control and Input power supply	24.0 VDC 2.0 A max.	
	Solenoid valve and Output power supply	24.0 VDC 2.0 A max.	
	Internal current consumption	75 mA maximum	
Solenoid valve specification	Output type	EX600-SMJ1	PNP / source (negative common)
		EX600-SMJ2	NPN / sink (positive common)
	Number of outputs	32 outputs (selectable)	
	Output condition at the time of communication error	HOLD / CLEAR / Force ON	
	Connected load	24 VDC and 1.5 W max. Solenoid valve with LED and surge voltage suppression (manufactured by SMC).	
Protection function	Short circuit protection		

## 2.1 Communication specifications

Item	Specifications
Protocol	CC-Link (ver 1.10, ver 2.00)
Device type	Remote device station
Communication speed	156 / 625 kbps, 2.5 / 5.0 / 10 Mbps
Occupied area (No. of I/O)	512 inputs / 512 outputs maximum 1 / 2 / 3 / 4 stations occupied

## 3 Name and function of parts



No	Part	Description
1	LED display	Displays the SI unit status.
2	Display cover	Display cover should not be opened.
3	Display cover screw	Screw to open the display cover.
4	Connector (BUS OUT)	Connector for Fieldbus outputs.
5	Marker groove	Groove for identification marker.
6	Connector (PCI)	Connector for Handheld terminal.
7	Valve plate hole	Hole for valve plate mounting.
8	Valve plate groove	Groove for valve plate mounting.
9	Joint bracket	Bracket for joining to adjacent units.
10	Unit connector	Connector for signal/power to next unit.
11	Connector (BUS IN)	Connector for Fieldbus Inputs.
12	Seal cap (2 pcs)	For unused connectors (BUS OUT, PCI)

## 4 Assembly

## 4.1 Assembling the unit

**Warning**

Do not install the product unless the safety instructions have been read and understood.

(1) Connect an I/O unit to the end plate. Digital and analogue units can be connected in any order. Joint bracket screw tightening torque: 1.5 to 1.6 N•m.

(2) Add more I/O units. Up to 9 I/O units can be connected to one manifold.

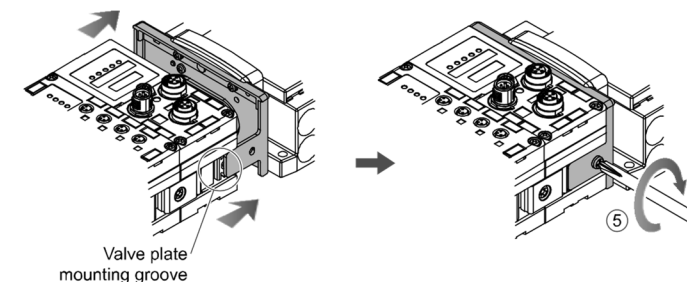
(3) Connect the SI unit. After connecting the required I/O units, connect the SI unit. The connection method is as above.

(4) Mount the valve plate (EX600-ZMV#) to the valve manifold using the valve screws (M3 x 8) supplied. (Tightening torque: 0.6 to 0.7 N•m).

(5) Connect the SI unit assembly to the valve manifold.

Insert the valve plate into the valve plate mounting groove.

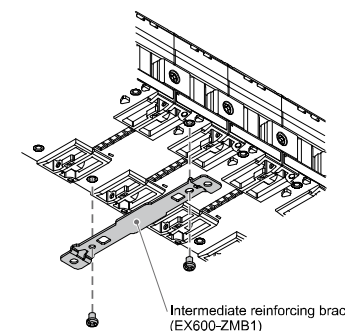
Then fix using the valve plate mounting screws (M4 x 6) supplied (Tightening torque: 0.7 to 0.8 N•m).



## 5 Installation

## • Direct mounting

(1) When assembling six or more units, the middle part of the assembly must be fitted with an intermediate reinforcing brace (EX600-ZMB1) before mounting using 2-M4x5 screws (Tightening torque: 0.7 to 0.8 N•m).



(2) Mount and tighten the end plate at one end of the unit and mount the intermediate reinforcing brace if required using M4 screws (Tightening torque: 0.7 to 0.8 N•m).

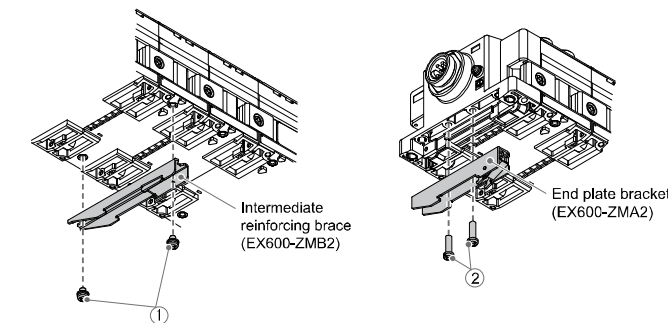
Fix the end plate at the valve side while referring to the operation manual for the applicable valve series.

## • DIN rail mounting

(1) When assembling six or more units, the middle part of the complete assembly must be fitted with an intermediate reinforcing brace for DIN rail mounting (EX600-ZMB2), using 2-M4 x 6 screws. (Tightening torque: 0.7 to 0.8 N•m).

## 5 Installation (continued)

(2) Mount the end plate bracket (EX600-ZMA2) to the end plate using 2-M4 x 14 screws (Tightening torque: 0.7 to 0.8 N•m). For the SY series, use end plate bracket (EX600-ZMA3).

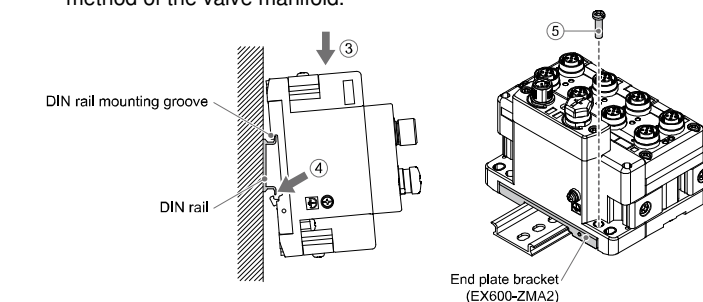


(3) Hook the DIN rail mounting groove on to the DIN rail.

(4) Press the manifold using its side hooked to the DIN rail as a fulcrum until the manifold is locked onto the DIN rail.

(5) Fix the manifold by tightening the DIN rail fixing screws (M4 x 20) on the end plate bracket (Tightening torque: 0.7 to 0.8 N•m).

Refer to the Operation Manual for the applicable valve series on the SMC website (URL: <https://www.smcworld.com>) for the mounting method of the valve manifold.



## 5.1 Wiring connections

## • Communication Connector

Select the appropriate cables to mate with the connectors on the SI unit. The CC-Link connection has 2 ports, BUS IN and BUS OUT, and both ports can be used to connect.

## M12 4-pin Plug / M12 5-pin Socket

Connector		Pin No.	Signal name
BUS IN	BUS OUT		
		1	SLD
		2	DB
		3	DG
		4	DA
		5	NC

## • Power Supply Connector

The system is operated using power supplied from the 56-EX600-ED# end plate. Refer to the end plate instruction manual and operation manual for the power supply connection details.

The M12 connector cable for fieldbus and power supply connections has two types, Standard M12 and SPEEDCON compatible. If both plug and socket have SPEEDCON connectors, the cable can be inserted and connected by turning it a 1/2 rotation. A standard connector can be connected to a SPEEDCON connector.

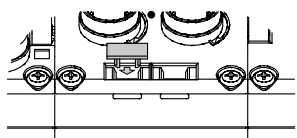
**Warning**

- Be sure to fit a seal cap (EX9-AWTS) on any unused connectors. Proper use of the seal cap enables the enclosure to maintain IP67 specification.

## 5 Installation (continued)

### 5.2 Identification marker

The signal name of the input or output devices and unit address can be written on the marker and can be installed on each unit.  
Mount a marker (EX600-ZT1) into the marker groove as required.



### 5.3 Environment

#### Warning

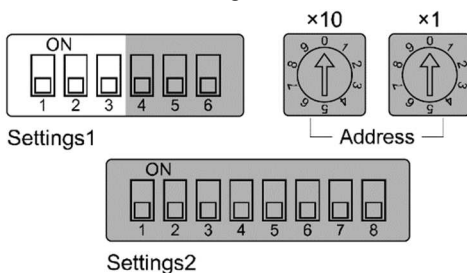
- Do not use in an environment where corrosive gases, chemicals, salt water or steam are present.
- Do not install in a location subject to vibration or impact in excess of the product's specifications.
- Do not mount in a location exposed to radiant heat that would result in temperatures in excess of the product's specifications.

## 6 Setting

### 6.1 Switch Setting

- Open the display cover.
- Turn OFF the power before setting the switches.
- Set the switches using a small flat blade screwdriver, referring to the information below.
- After setting the switches close the cover and tighten the screw (Tightening torque: 0.3 to 0.4 N·m).

#### Operation mode switch setting



#### Operation mode setting

Mode	Settings1			CC-Link version	No. of occupied stations	Bit area I/O	Word area I/O size (RWr/RWr)	Extended cyclic
	1	2	3					
1	OFF	OFF	OFF	1.10	1	32/32	4 / 4 word	-
2	ON	OFF	OFF	1.10	2	64/64	8 / 8 word	-
3	OFF	ON	OFF	1.10	3	96.96	12 / 12 word	-
4	ON	ON	OFF	1.10	4	128/128	16 / 16 word	-
5	OFF	OFF	ON	2.00	1	64/64	16 / 16 word	4 times
6	ON	OFF	ON	2.00	1	128/128	32 / 32 word	8 times
7	OFF	ON	ON	2.00	2	384/384	64 / 64 word	8 times
8	ON	ON	ON	2.00	3	640/640	96 / 96 word	8 times

\* The default operation mode at the time of shipping is mode 1.

\* The last register of bit area (16 bits) cannot be used as they are allocated for the system area.

#### Communication speed setting

Select the communication speed of CC-Link.

Settings1	Communication speed		
	4	5	6
OFF OFF OFF	156 kbps (default)		
ON OFF OFF	625 kbps		
OFF ON OFF	2.5 Mbps		
ON ON OFF	5.0 Mbps		
OFF OFF ON	10 Mbps		
ON OFF ON	Error, [LERR] LED will turn ON		
OFF ON ON			
ON ON ON			

## 6 Setting (continued)

### Station number setting

Select the station number of the SI unit.

Address		Station number
x10	x1	
0	0	Error (default)
0	1	1
0	2	2
:	:	:
6	3	63
6	4	64
6	5	Error
:	:	
9	9	

\* If the station number is set to 0 or above 65, the "LERR" LED will turn ON.

\* The settable range depends on the number of occupied stations.

Refer to the operation manual on the SMC website (URL: <https://www.smcworld.com>) for all other switch settings.

- V\_SEL switch
- Baud rate switch
- Diagnostics switch
- HOLD/CLEAR switch

## 7 How to Order

Refer to the operation manual on the SMC website (URL: <https://www.smcworld.com>) for How to order information.

## 8 Outline Dimensions (mm)

Refer to the operation manual on the SMC website (URL: <https://www.smcworld.com>) for outline dimensions.

## 9 Maintenance

### 9.1 General Maintenance

#### Caution

- Not following proper maintenance procedures could cause the product to malfunction and lead to equipment damage.
- If handled improperly, compressed air can be dangerous.
- Maintenance of pneumatic systems should be performed only by qualified personnel.
- Before performing maintenance, turn off the power supply and be sure to cut off the supply pressure. Confirm that the air is released to atmosphere.
- After installation and maintenance, apply operating pressure and power to the equipment and perform appropriate functional and leakage tests to make sure the equipment is installed correctly.
- If any electrical connections are disturbed during maintenance, ensure they are reconnected correctly and safety checks are carried out as required to ensure continued compliance with applicable national regulations.
- Do not make any modification to the product.
- Do not disassemble the product, unless required by installation or maintenance instructions
- Stop operation if the product does not function correctly.

## 10 LED Display

ST(M) PWR PWR(V) LRUN LERR



### SI unit status

LED	Description
ST(M) PWR PWR(V) OFF	Power supply for control and input is OFF.
ST(M) PWR PWR(V) Green LED's ON	The SI unit is operating normally.
ST(M) PWR PWR(V) ST(M) Red ON	Component failure inside the SI unit.
ST(M) PWR PWR(V) PWR Red ON	Power supply voltage for control and input is abnormal.
ST(M) PWR PWR(V) PWR(V) Red ON	Power supply voltage for outputs is abnormal.
ST(M) PWR PWR(V) ST(M) Green flashing	A unit other than the SI unit is detected.
ST(M) PWR PWR(V) ST(M) Red flashing	<ul style="list-style-type: none"> <li>The valve ON/OFF counter has exceeded the set value.</li> <li>The valve is short circuited or disconnected.</li> </ul>
ST(M) PWR PWR(V) ST(M) Red/Green flashing alternately	<ul style="list-style-type: none"> <li>Connection error between units.</li> <li>Configuration memory error has occurred.</li> </ul>

### Communication status

LED	Description
LRUN LERR OFF	Communication is not established, or power supply for control and input is OFF.
LRUN LERR LRUN Green ON	Communication is normal.
LRUN LERR LERR Red ON	Communication error has occurred.
LRUN LERR LERR Red flashing	The station or communication speed setting has been changed during communication.

## 11 Limitations of Use

### 11.1 Limited warranty and Disclaimer/Compliance Requirements

Refer to Handling Precautions for SMC Products.

## 12 Product disposal

This product should not be disposed of as municipal waste. Check your local regulations and guidelines to dispose of this product correctly, in order to reduce the impact on human health and the environment.

## 13 Contacts

Refer to [www.smcworld.com](https://www.smcworld.com) or [www.smc.eu](https://www.smc.eu) for your local distributor / importer.

# SMC Corporation

URL: <https://www.smcworld.com> (Global) <https://www.smc.eu> (Europe)  
SMC Corporation, 4-14-1, Sotokanda, Chiyoda-ku, Tokyo 101-0021, Japan  
Specifications are subject to change without prior notice from the manufacturer.  
© 2021 SMC Corporation All Rights Reserved.  
Template DKP50047-F-085M