



ORIGINAL INSTRUCTIONS

## Instruction Manual

### Auto switch (Reed switch type)

#### Series D-R73\*-588 / D-R80\*-588

II 3G Ex ec IIC T5 Gc -10°C ≤ Ta ≤ 60°C  
 II 3D Ex tc IIIC T93°C Dc IP67

The intended use of the auto switch is to detect and control the position of an actuator using magnetic detection.

### 1 Safety Instructions

These safety instructions are intended to prevent hazardous situations and/or equipment damage. These instructions indicate the level of potential hazard with the labels of "Caution," "Warning" or "Danger." They are all important notes for safety and must be followed in addition to International Standards (ISO/IEC)<sup>(1)</sup>, and other safety regulations.

- <sup>(1)</sup> ISO 4414: Pneumatic fluid power - General rules relating to systems.  
 ISO 4413: Hydraulic fluid power - General rules relating to systems.  
 IEC 60204-1: Safety of machinery - Electrical equipment of machines. (Part 1: General requirements)  
 ISO 10218-1: Manipulating industrial robots - Safety, etc.
- Refer to product catalogue, Operation Manual and Handling Precautions for SMC Products for additional information.
  - Keep this manual in a safe place for future reference.

	<b>Caution</b>	Caution indicates a hazard with a low level of risk which, if not avoided, could result in minor or moderate injury.
	<b>Warning</b>	Warning indicates a hazard with a medium level of risk which, if not avoided, could result in death or serious injury.
	<b>Danger</b>	Danger indicates a hazard with a high level of risk which, if not avoided, will result in death or serious injury.

### Warning

- Always ensure compliance with relevant safety laws and standards.**
- All work must be carried out in a safe manner by a qualified person in compliance with applicable national regulations.
- This product is class A equipment intended for use in an industrial environment. There may be potential difficulties in ensuring electromagnetic compatibility in other environments due to conducted or radiated disturbances.

#### 1.1 ATEX Safety Instructions

ATEX Marking Description	
II 3G Ex ec IIC T5 Gc -10°C ≤ Ta ≤ 60°C II 3D Ex tc IIIC T93°C Dc IP67	
Equipment Group II Category 3	tc - Protected by enclosure IIIC - For all types of dust
Gas (G) and Dust (D) environment	T93°C - Max. surface temp.
Ex - European standards apply	Gc/Dc - EPL
ec - Increased safety	Ta - ambient temperature
IIC - For all types of Gas	IP67 - Degree of protection
T5 - Temperature classification	

Based on the conformity assessment carried out by SMC Corporation.

Certificate Number:	SMC 20.0047 X
---------------------	---------------

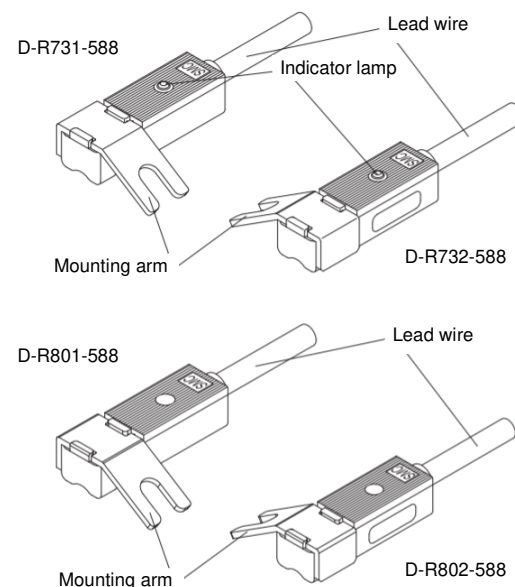
If the Certificate number includes an X, special conditions for safe use apply as follows :-

- Protect the product from sources of heat which can generate surface temperatures greater than the temperature classification.
- Protect the product and cable against all impact or mechanical damage.
- Protect the product from direct sunlight or UV light using a suitable protective cover.

### 2 Specifications

Model	D-R731-588 D-R732-588	D-R801-588 D-R802-588	
Wiring style	2 wire type		
Application	Relay, PLC	IC, Relay, PLC	
Max. Load voltage	24V DC	24V AC 24V DC	48V AC 48V DC
Load current	5 to 40 mA	50 mA	40 mA
Max. internal volt drop	2.4 V	N/A	
Internal resistance	N/A	1 Ω or less (incl. 3 m lead wire)	
Contact protection circuit	None		
Operation time	1.2 ms		
Operation lamp	Red light when ON	None	
Proof impact	300 m/s <sup>2</sup>		
Insulation resistance	500 MΩ or more at 500 VDC mega		
Proof voltage	1500 VAC for 1 minute (between case and lead wire)		
Ambient temperature	-10 to 60°C		
Protection structure	IP67 to IEC 60529, JISC 0920		

### 3 Names of Individual parts



### 4 Installation

#### 4.1 Installation

### Warning

- Do not install the product unless the safety instructions have been read and understood.**

#### 4.2 Design and Selection

- Confirm the specifications.  
Read the specifications carefully and use the product correctly. The product may be damaged or malfunction if it is used outside of the specification range.
- Take precautions when multiple actuators are used close together.  
When multiple auto switch actuators are used in close proximity, magnetic field interference may cause the switches to malfunction. Maintain a minimum actuator separation of 40 mm.
- Pay attention to the length of time that a switch is ON at an intermediate stroke position.  
When an auto switch is placed at an intermediate position of the stroke and a load is driven at the time the piston passes, the auto switch will operate, but if the speed is too great the operating time will be short and the load may not operate correctly. The maximum detectable piston speed is:

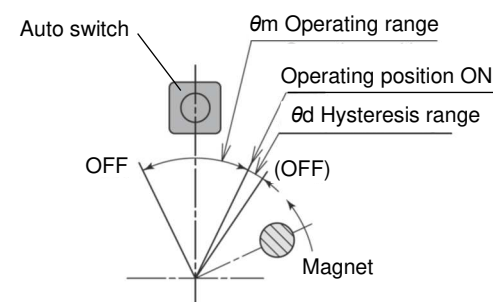
$$V \text{ (mm/s)} = \frac{\text{Auto switch operating range (mm)}}{\text{Load operating time (ms)}} \times 1000$$

### 4 Installation (continued)

- Keep wiring as short as possible  
As the length of the wiring to a load gets longer, the inrush current at switch ON becomes greater, and this may shorten the product life (the switch will stay constantly ON).  
Use a contact protection box when the wire length is 5 m or longer.
- Pay attention to the internal voltage drop of the switch.
  - Switches with an indicator light
    - If auto switches are connected in series, take note that there will be a large volt drop because of internal resistance in the LED's (refer to internal voltage drop in the auto switch specifications). [The voltage drop will be "n" times larger when "n" auto switches are connected].  
Even though an auto switch operates normally, the load may not operate.
    - In the same way, when operating below a specified voltage, although the auto switch may operate normally, the load may not operate. Therefore, the formula below should be satisfied after confirming the minimum operating voltage of the load.
$$\text{Supply voltage} - \text{Internal volt drop of switch} > \text{Minimum operating voltage of load}$$
- If the internal resistance of a light emitting diode causes a problem, select a switch without an indicator light (MODEL D-R80\*-588)
- Do not use a load that generates surge voltage.  
If driving a load such as a relay that generates a surge voltage, use a contact protection box.
- Caution for use in an interlock circuit  
When an auto switch is used for an interlock signal requiring high reliability, devise a double interlock system by providing a mechanical protection function, or by using another switch (sensor) together with the auto switch.  
Perform periodic maintenance and confirm proper operation.
- Ensure sufficient clearance for maintenance activities.  
When designing an application, be sure to allow sufficient clearance for maintenance and inspections.

#### 4.3 Mounting and Adjustment

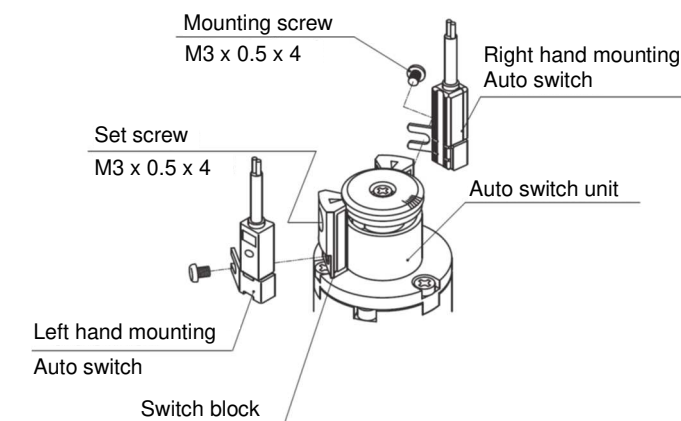
- Do not drop or bump the product.  
Do not drop, bump or apply excessive impact (300 m/s<sup>2</sup> or more) while handling. Although the body of the switch may not appear damaged, the inside of the switch could be damaged and cause a malfunction.
- Do not carry an actuator by the auto switch lead wires.  
This may not only cause broken lead wires, but it may cause internal elements of the switch to be damaged by the stress.
- Mount switches using the correct tightening torque.  
Tightening torque of the mounting screw must be approx. 0.49 Nm.  
If a switch is tightened beyond the tightening torque range, the mounting screw, mounting bracket or switch may be damaged.  
On the other hand, tightening below the tightening torque range may allow the switch to slip out of position.
- Mount a switch at the centre of the operating range.  
Adjust the auto switch mounting position so that the piston stops at the centre of the operating range (the range in which the switch is ON).  
The mounting position shown in the catalogue indicates the optimum position at the end of stroke. If mounted at the end of the operating range (around the borderline of ON and OFF) operation may be unstable.
- The auto switch ON and OFF position operates with a hysteresis. If the hysteresis causes a problem, please consult with SMC.



### 4 Installation (continued)

#### 4.4 Mounting

When an auto switch is mounted for the first time, ensure that the actuator is the type with switch unit. Refer to the actuator catalogue for details/



- Loosen the switch mounting screw on the auto switch unit and insert the auto switch arm.
- Fix the switch mounting screw by tightening it.
- How to change the detecting position
  - When changing the detecting position of the auto switch, loosen the switch block mounting screw and move the auto switch to the position required.
  - Fix the set screw by tightening it.  
Tightening torque for the switch mounting screw: approx. 0.49 Nm

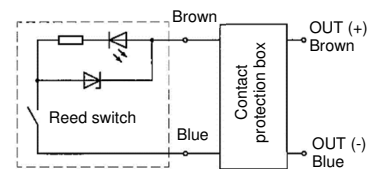
#### 4.5 Wiring

- Avoid repeatedly bending or stressing lead wires.  
Broken lead wires can result from wiring layouts which repeatedly apply bending stress or stretching force to the lead wires.
- Be sure to connect the load before power is applied.  
If the power is turned ON when an auto switch is not connected to a load, the switch will be instantly damaged because of excess current.
- Confirm proper insulation of wiring.  
Check that there is no faulty wiring insulation (contact with other circuits, ground fault, improper insulation between terminals, etc.)  
Damage may occur due to excess current flow into a switch.
- Do not route wiring with power lines or high voltage lines.  
Avoid parallel wiring or wiring in the same conduit with these lines.  
Control circuits containing auto switches may malfunction due to noise.
- Do not allow short circuit of loads.  
If power is turned ON with a load in a short circuit condition, the switch will be instantly damaged because of excess current flow.
- Avoid incorrect wiring  
A 24 VDC switch with indicator light has polarity. The brown [red] lead wire is (+), and the blue [black] lead wire is (-).  
If connections are reversed, a switch will operate, however, the LED will not light up. Also note that a current greater than that specified will damage the LED and it will no longer operate. Applicable models: D-R73\*-588.

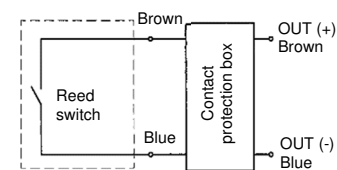
## 4 Installation (continued)

### 4.6 Circuit diagram

D-R731-588 / D-R732-588



D-R801-588 / D-R802-588



### 4.7 Environment

#### Warning

- Do not use in an environment where oil, corrosive gases, chemicals, salt water or steam are present.
- Do not install in a location subject to vibration or impact in excess of the product specifications.
- Do not mount in a location exposed to radiant heat that would result in temperatures in excess of the product specification.
- Do not use in an area where a magnetic field is generated. Auto switches can malfunction or magnets inside actuators can become demagnetized.
- Do not use in an environment where the auto switch will be continually exposed to water.
- Do not use in an environment with temperature cycles.
- Avoid accumulation of iron waste or close contact with magnetic substances. A large amount of accumulated iron waste such as machining chips or spatter may cause the auto switch to malfunction.

## 5 Maintenance

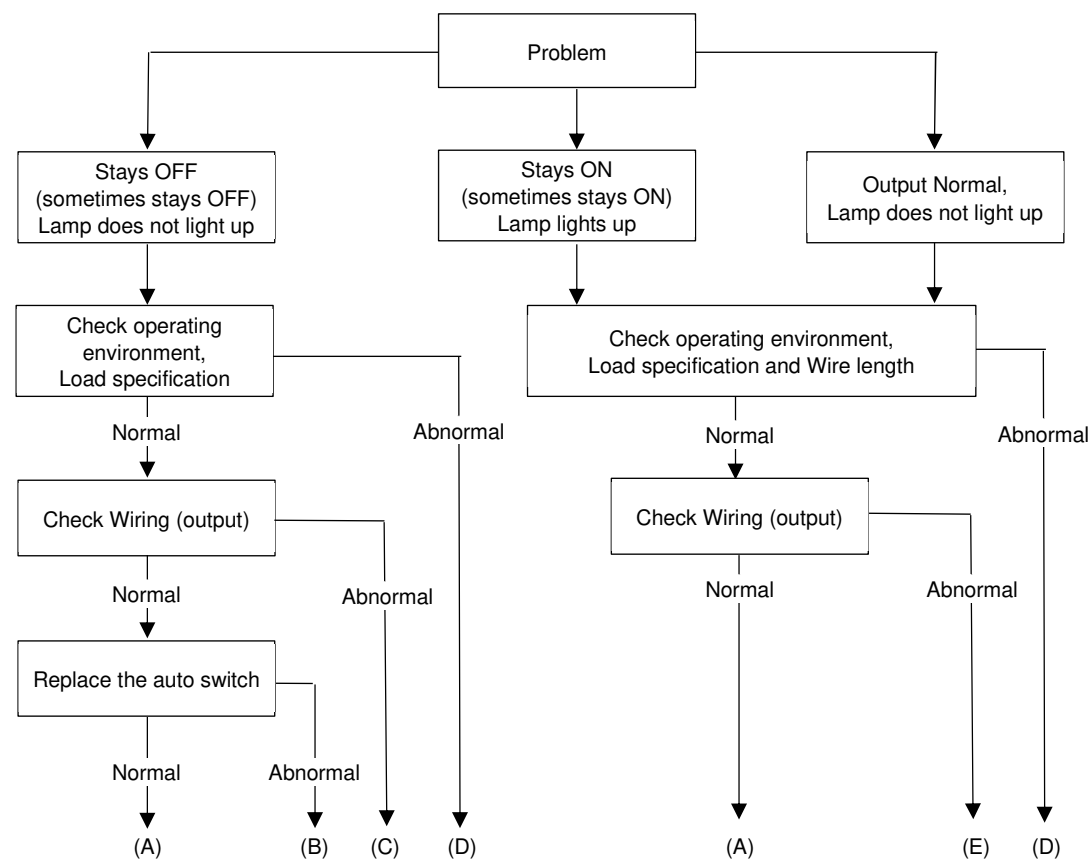
### 5.1 General Maintenance

#### Caution

- Not following proper maintenance procedures could cause the product to malfunction and lead to equipment damage.
- If handled improperly, compressed air can be dangerous.
- Maintenance of pneumatic systems should be performed only by qualified personnel.
- Before performing maintenance, turn off the power supply and be sure to cut off the supply pressure. Confirm that the air is released to atmosphere.
- After installation and maintenance, apply operating pressure and power to the equipment and perform appropriate functional and leakage tests to make sure the equipment is installed correctly.
- If any electrical connections are disturbed during maintenance, ensure they are reconnected correctly and safety checks are carried out as required to ensure continued compliance with applicable national regulations.
- Do not make any modification to the product.
- Do not disassemble the product, unless required by installation or maintenance instructions.
- Perform the following maintenance periodically in order to prevent possible danger due to unexpected auto switch malfunction.
  - Securely tighten switch mounting screws. If screws become loose or the mounting position is dislocated, re-tighten them after readjusting the mounting position.
  - Confirm that there is no damage to lead wires. To prevent faulty insulation, replace switches or repair lead wires, etc., if damage is discovered.

## 6 Troubleshooting

When detection failure occurs check the switch according to the chart



- (A) = Auto switch failure  
 (B) = Replace the actuator. Detectable magnetic field inadequate (or no magnet).  
 (C) = Correct the wiring, replace the load or replace the auto switch after correcting the wiring.  
 (D) = After checking the operating environment, replace the auto switch.  
 (E) = Replace the auto switch after correcting the wiring.

## 7 How to Order

Refer to the operation manual on the SMC website (URL: <http://www.smcworld.com>) for How to order information.

## 8 Outline dimensions

Refer to the operation manual on the SMC website (URL: <http://www.smcworld.com>) for outline dimensions.

## 9 Limitations of Use

**9.1 Limited warranty and Disclaimer/Compliance Requirements**  
 Refer to Handling Precautions for SMC Products.

## 10 Product disposal

This product should not be disposed of as municipal waste. Check your local regulations and guidelines to dispose of this product correctly, in order to reduce the impact on human health and the environment.

## 11 Contacts

Refer to [www.smcworld.com](http://www.smcworld.com) or [www.smc.eu](http://www.smc.eu) for your local distributor/importer.

# SMC Corporation

URL : <http://www.smcworld.com> (Global) <http://www.smc.eu> (Europe)  
 SMC Corporation, Akihabara UDX15F, 4-14-1, Sotokanda, Chiyoda-ku, Tokyo 101 0021  
 Specifications are subject to change without prior notice from the manufacturer.  
 © 2021 SMC Corporation All Rights Reserved.  
 Template DKP50047-F-085M