

# Magnet gripper with buffer/pivoting buffer

## Magnet Gripper with Buffer/Pivoting Buffer MHM-X7312/X7311



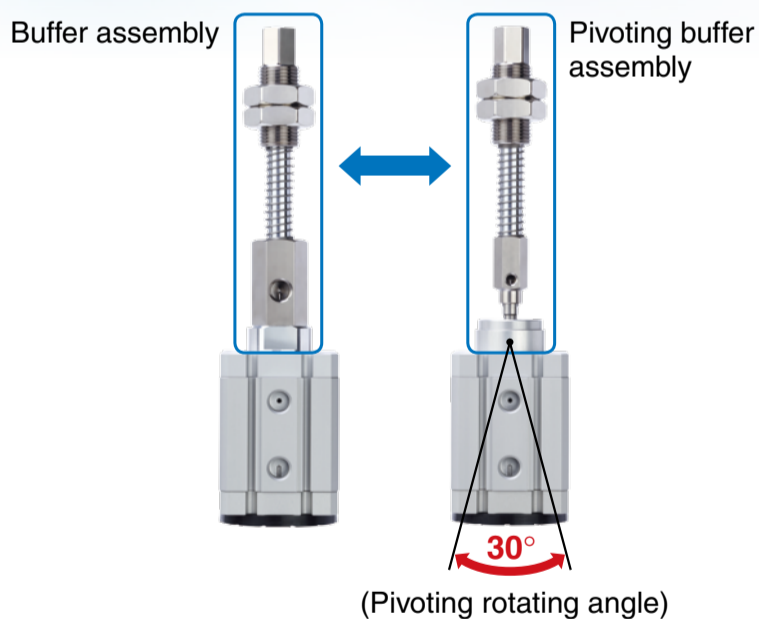
Scan the QR code to answer the questionnaire.

- For workpieces of varying heights
- Pivoting buffer type is suitable for adsorbing workpiece with an angle.  
Pivoting rotating angle: 30°
- Buffer stroke: 25 mm, 50 mm, 75 mm
- The buffer assembly can be replaced.  
(Buffer assembly ⇔ Pivoting buffer assembly)
- Can be retrofitted on to standard products (Basic type body only)



With buffer

With pivoting buffer



### Specifications

Magnet Gripper

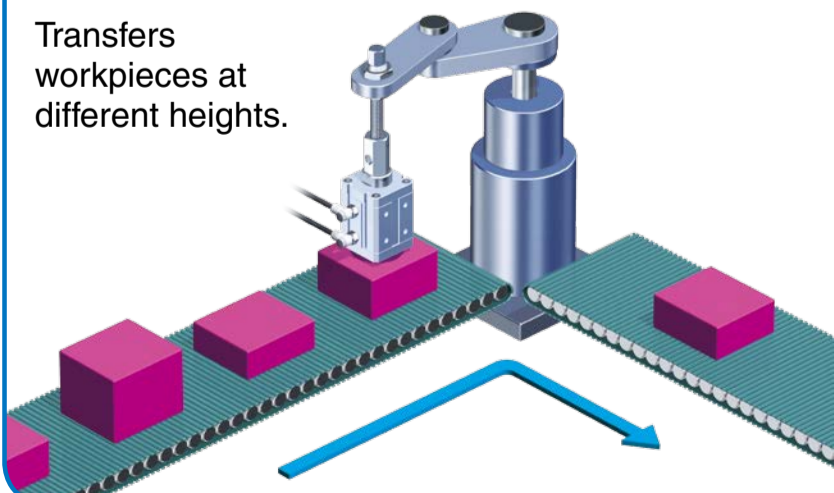
Bore size	32 mm	
Holding force	Workpiece thickness: 2 mm	250 N
	Workpiece thickness: 6 mm	500 N

Buffer

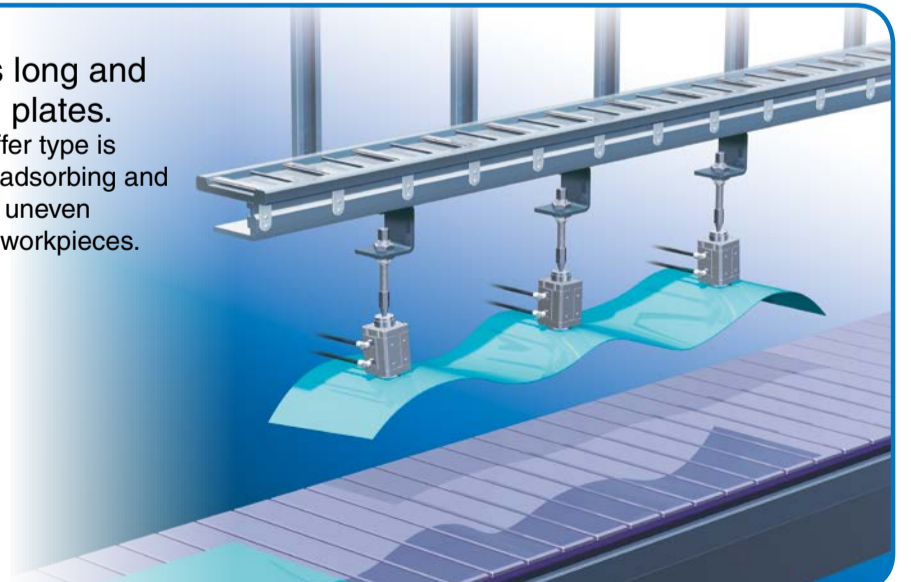
Buffer specifications	Rotating	
Buffer stroke	25 mm, 50 mm, 75 mm	
Spring reactive force	At 0 stroke	6.9 N
	At buffer stroke	11.8 N
Rotating angle	30°	

### Application Examples

Transfers workpieces at different heights.



Transfers long and thin steel plates. Pivoting buffer type is suitable for adsorbing and transferring uneven surfaces of workpieces.



**Caution**

The application described here is for reference only and performance is not guaranteed. For actual usage in various other applications, please conduct thorough evaluation and validation testing in order to determine the feasibility under your actual usage conditions. Furthermore, please contact your local SMC sales representative for individual pricing and delivery verification.