

Capable of spraying a wide area with fluid

Wide Angle Blow Nozzle IN-225



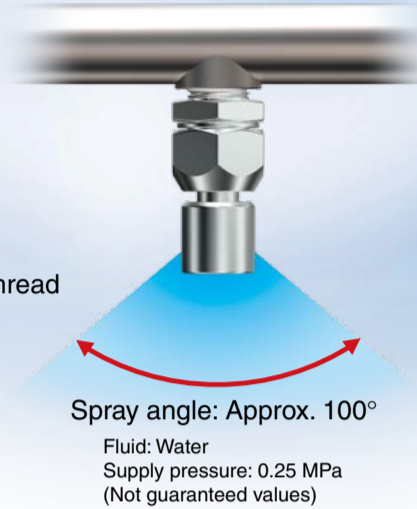
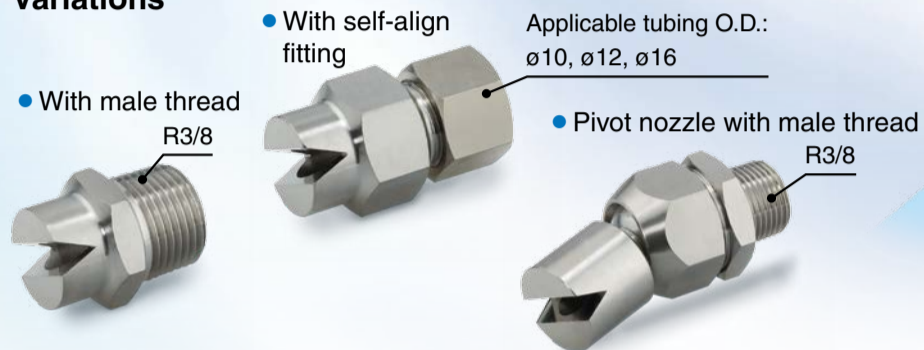
Scan the QR code to answer the questionnaire.

Fluid: Coolant, Water, (Air)

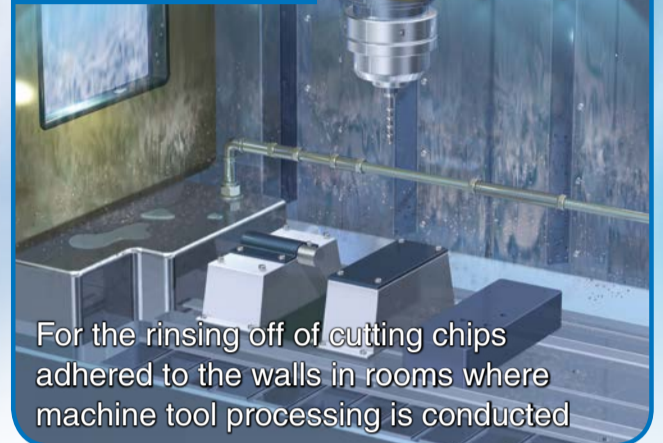
* For air, the blow will not be visibly fan shaped.

Nozzle size: $\phi 6$ equivalent

Variations



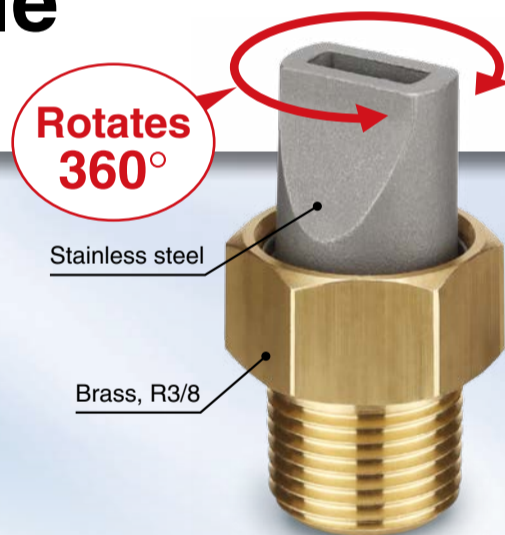
Application Example



The spray direction can be adjusted after the nozzle has been mounted.

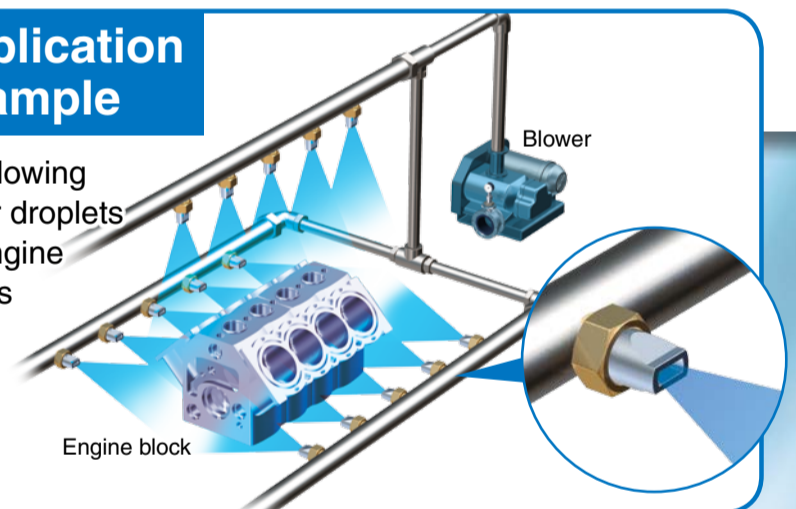
Blower Nozzle KN-X1484

Fluid: Air



Application Example

For blowing water droplets off engine blocks



Improved corrosion resistance in environments exposed to water

Stainless Steel Blow Nozzle KN-X13/KN-DPW00079

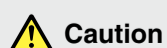
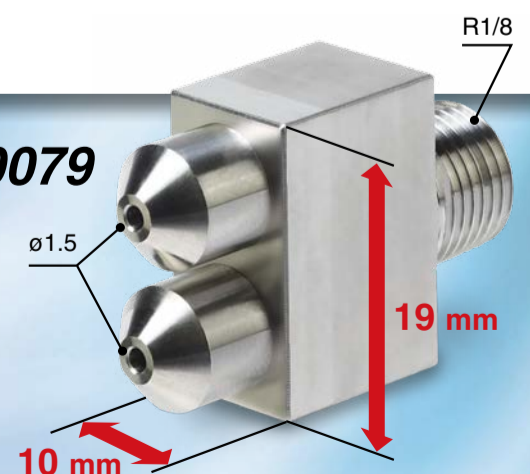
Nozzle with Male Thread/KN-X13

Fluid: Air, Coolant



2-Port Nozzle/KN-DPW00079

- 2 integrated nozzles
- Space saving
- Reduced piping labor
- Fluid: Air, Coolant



Caution

The application described here is for reference only and performance is not guaranteed. For actual usage in various other applications, please conduct thorough evaluation and validation testing in order to determine the feasibility under your actual usage conditions. Furthermore, please contact your local SMC sales representative for individual pricing and delivery verification.