

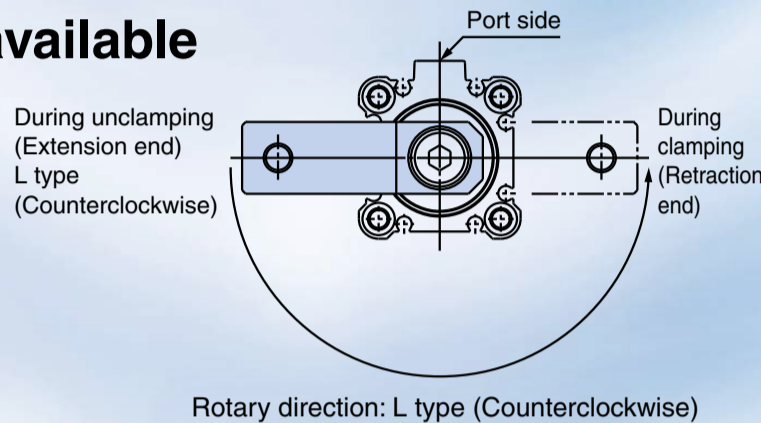
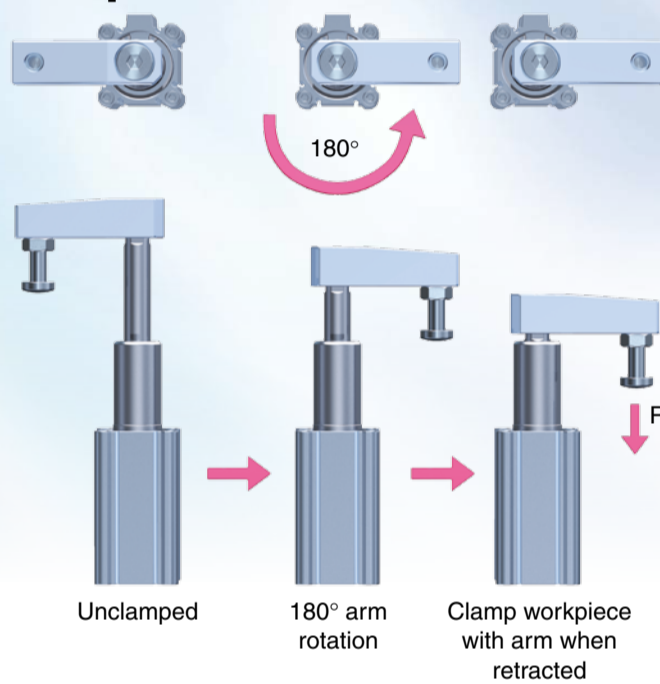
# 180° arm rotation angle and clamping at the extend stroke added to Rotary Clamp

## Rotary Clamp: 180° Arm Rotation Angle MKB50□-DCX0703X/DCX0464X



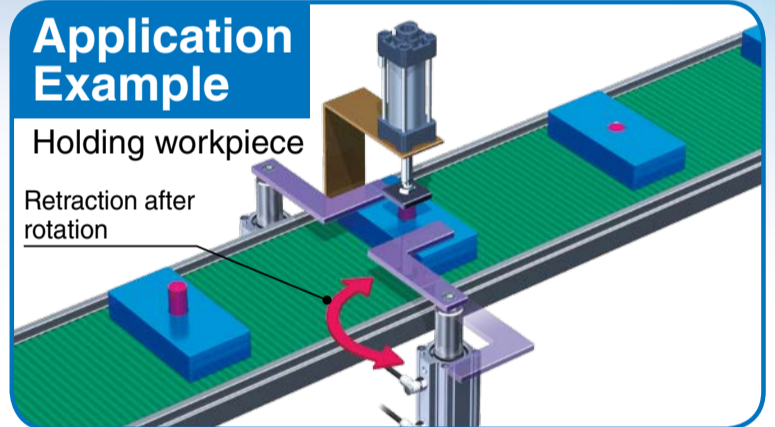
Scan the QR code to answer the questionnaire.

- Rotary angle 180° now available
- Bore size: 50 mm
- Operation



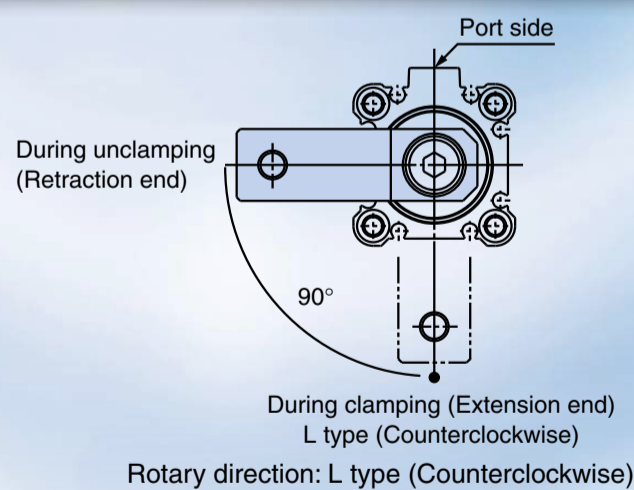
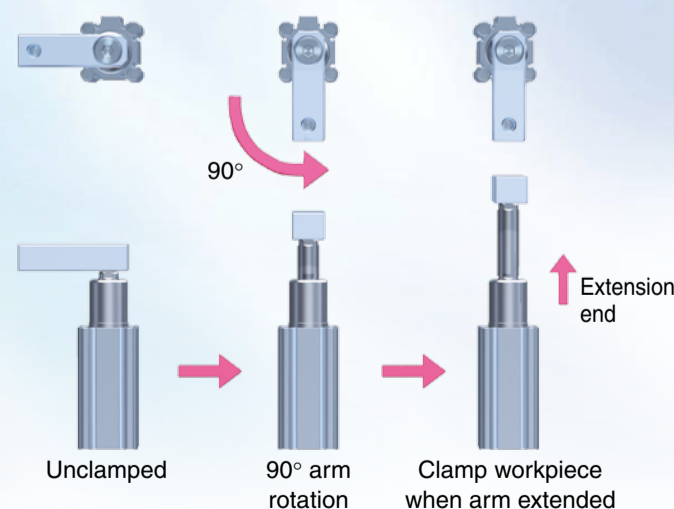
### Specifications

Series	MKB50R	MKB50L
Bore size	50 mm	
Clamping position	Retraction end	
Rotary direction	Clockwise	Counterclockwise
Rotary stroke	38 mm	
Clamp stroke	20 mm	
Rotary angle	180° ±10°	



## Rotary Clamp: Clamping possible when extended MKB32L-DCX1868X

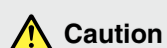
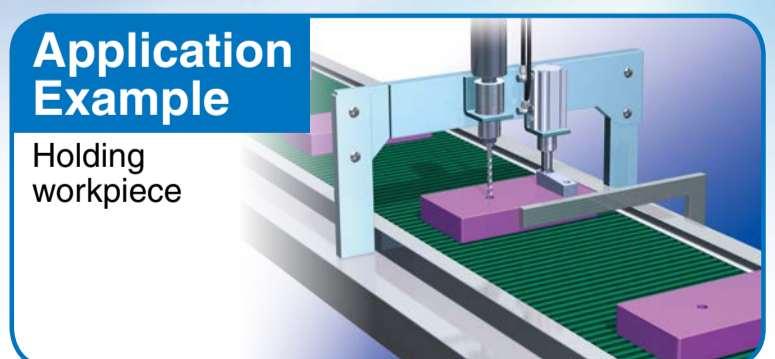
- Clamp when extended
- Rotary angle 90°
- Bore size: 32 mm
- Operation



### Specifications

Series	MKB32L
Bore size	32 mm
Clamping position	Extension end
Rotary direction	Counterclockwise
Rotary stroke	15 mm
Clamp stroke	20 mm
Rotary angle	90° ±10°

\* Arm is not included. Prepare an arm with a suitable shape in accordance with the application.



**Caution**

The application described here is for reference only and performance is not guaranteed. For actual usage in various other applications, please conduct thorough evaluation and validation testing in order to determine the feasibility under your actual usage conditions. Furthermore, please contact your local SMC sales representative for individual pricing and delivery verification.