



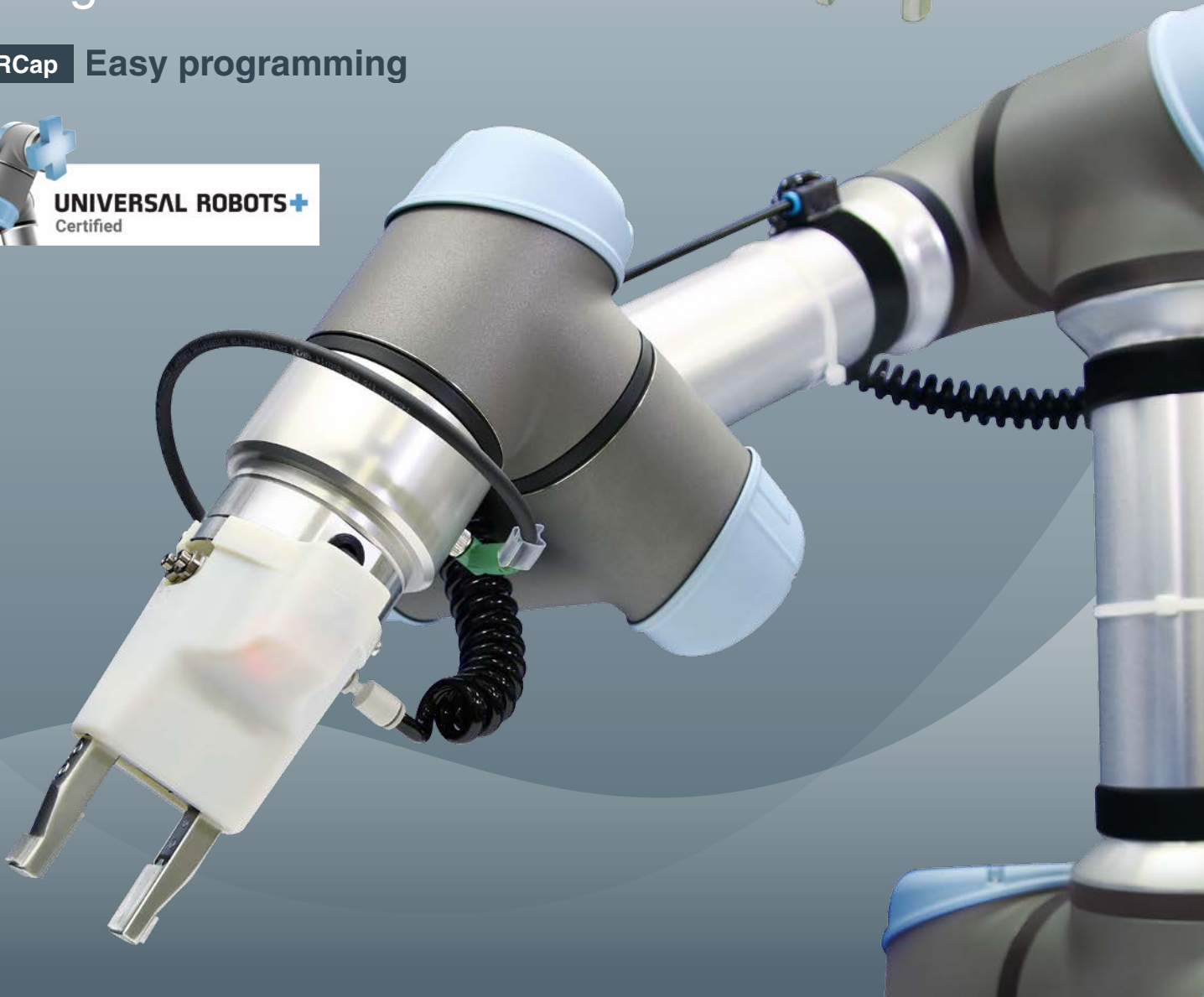
# Air Gripper Unit for Collaborative Robots

Plug and Play  
configuration for immediate use

**URCap** Easy programming



**UNIVERSAL ROBOTS+**  
Certified



## JMHZ2-X7400B

More information  
can be viewed here.



P-E20-4

# Air Gripper Unit for Collaborative Robots

For use with: UR3(e), UR5(e), UR10(e), UR16e

## Plug and Play

Compact, lightweight product with high gripping force due to air operation  
Operate by simply connecting 1 air supply tube and an electrical wiring M8 connector.

- Integrated solenoid valve and speed adjustment mechanism
- Standards: ISO9409-1-50-4-M6
- URCap (Refer to the back cover)



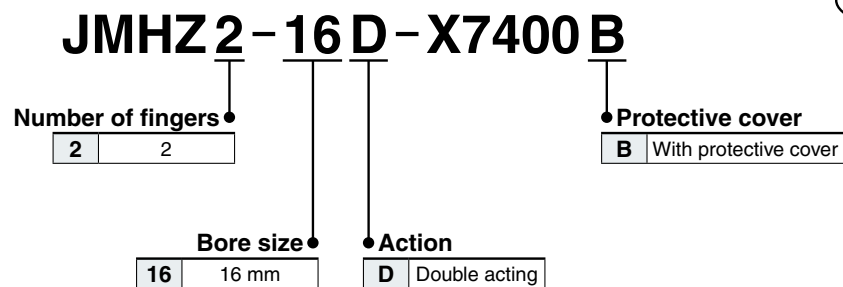
Standards  
ISO9409-1-50-4-M6



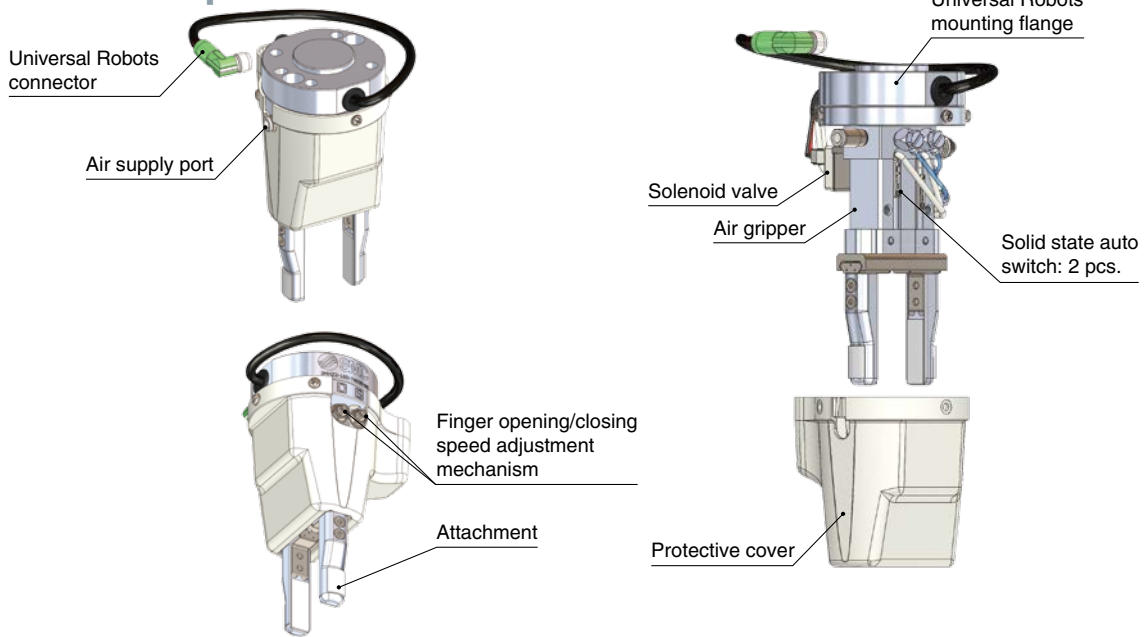
### Specifications

Bore size [mm]	16	
Fluid	Air	
Operating pressure [MPa]	0.1 to 0.7	
Repeatability [mm]	±0.01	
Action	Double acting	
Gripping force Effective value per finger [N]	External	32.7
	Internal	43.5
Opening/Closing (Both sides) [mm]	10	
Weight [g]	430	
Standards	ISO9409-1-50-4-M6	
Connector type	M8 8 pins (Female)	

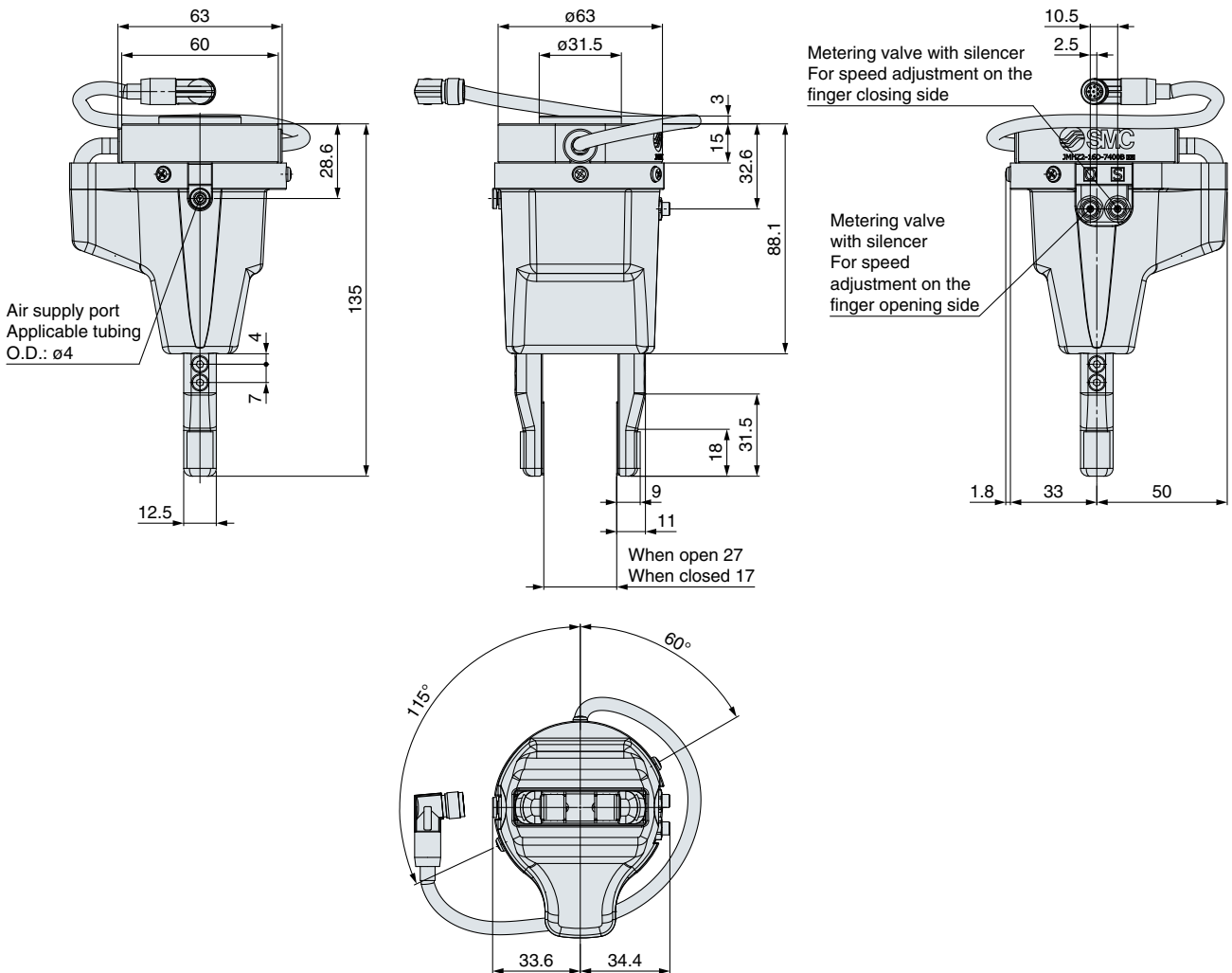
### How to Order



# Parts Descriptions



# Dimensions



# URCap

More information on the URCap software can be viewed here.

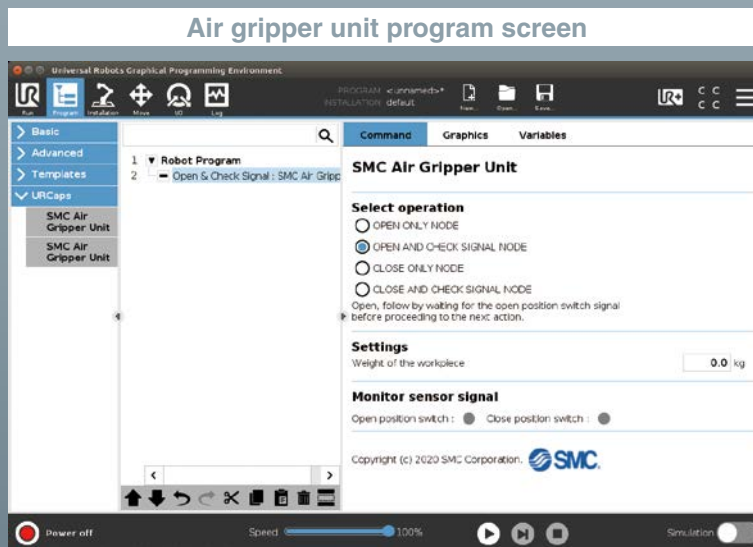
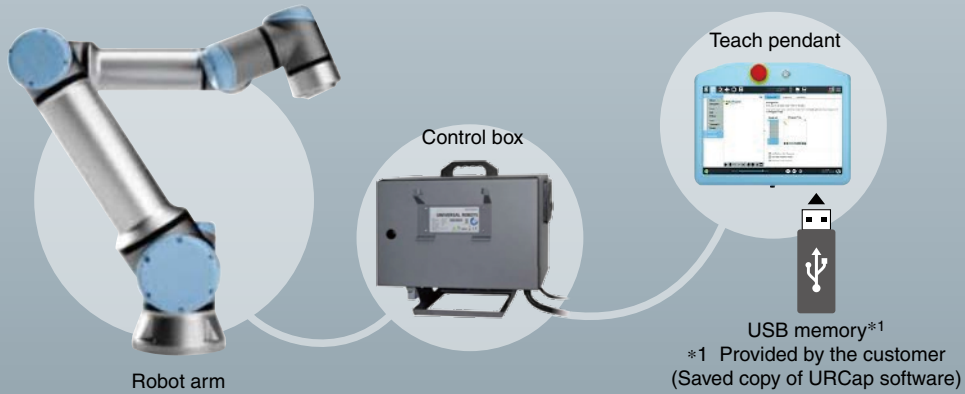


## Easy programming

By using the dedicated software certified for universal robots, URCap, the teaching pendant can conduct various operations intuitively, allowing for sensor signals to be easily incorporated.

Save a copy of the URCap software to a USB memory and insert it into the teaching pendant to easily install the software.

\* Please download the URCap software from the website, and save it to a USB memory.



**⚠ Safety Instructions** Be sure to read the "Handling Precautions for SMC Products" (M-E03-3) and "Operation Manual" before use.

## SMC Corporation

Akihabara UDX 15F,  
4-14-1, Sotokanda, Chiyoda-ku, Tokyo 101-0021, JAPAN  
Phone: 03-5207-8249 Fax: 03-5298-5362  
<https://www.smcworld.com>  
© 2020 SMC Corporation All Rights Reserved

Specifications are subject to change without prior notice and any obligation on the part of the manufacturer.

D-G

1st printing AA printing AA 00000AA Printed in Japan.