

## DIN-Connector Type B

Electrical connector according to EN 175301-803

### Technical data

Housing	:	black: Pa66 + 30%GV transparent: Pa
Contact material:		CuZn (Ag)
Max. current:		16 A
Operating current:		10 A
Distance:		10 mm
Protection class:		IP 65 (EN 60529)
Insulation class:		C – VDE 0110
Operating temperature:		black: -40°C / +125°C transparent: -25°C / +90°C

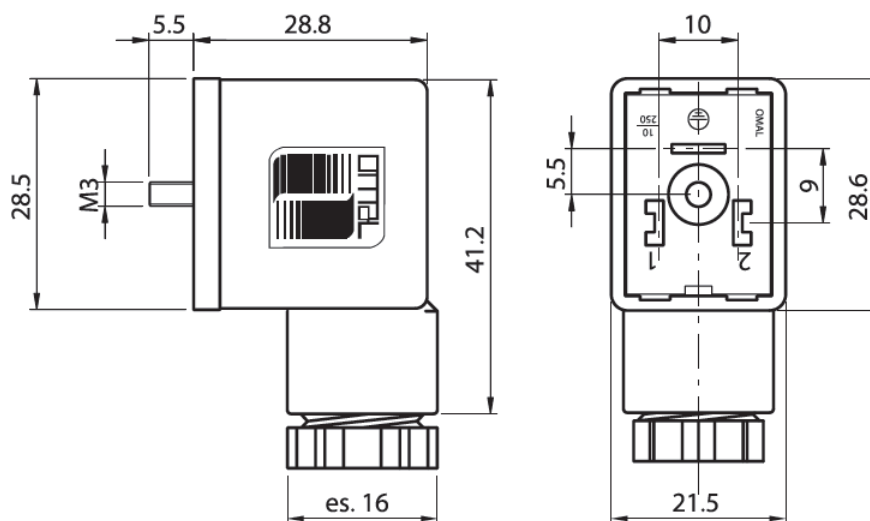


figure 1, S1.10 respectively S1.11

Gland size: PG9

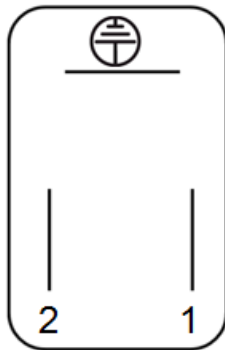
Cable diameter: 6 - 8 mm

There is the possibility with (transparent housing) and without LED (black housing). It is important to know, that the maximum current depends on the wiring.

The connector Type B with 10 mm distance between the contactors accords to EN 175301-803

### X31

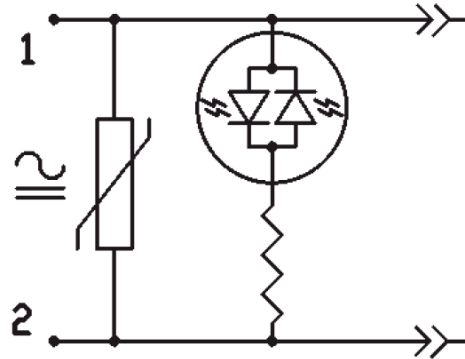
Nominal voltage: max. 250 V AC / 300V DC  
Housing: black



Standard without power indicator

### X32

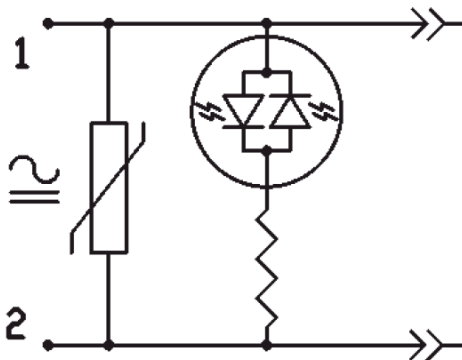
Nominal voltage: 10-50 V AC/DC  
Housing: transparent



With power indicator  
+ varistor protection

### X30

Nominal voltage: 70-250 V AC/DC  
Housing: transparent



With power indicator  
+ varistor protection

