

## DIN-Connector Type C

Electrical connector according to EN 175301-803

### Technical data

Housing	:	gray: Pa66 + 30%GV transparent: Pa
Contact material:		CuZn (Ag)
Max. current:		10 A
Operating current:		6 A
Distance:		8 mm
Protection class:		IP 65 (EN 60529)
Insulation class:		C – VDE 0110
Operating temperature:		gray: -40°C / +125°C transparent: -25°C / +90°C

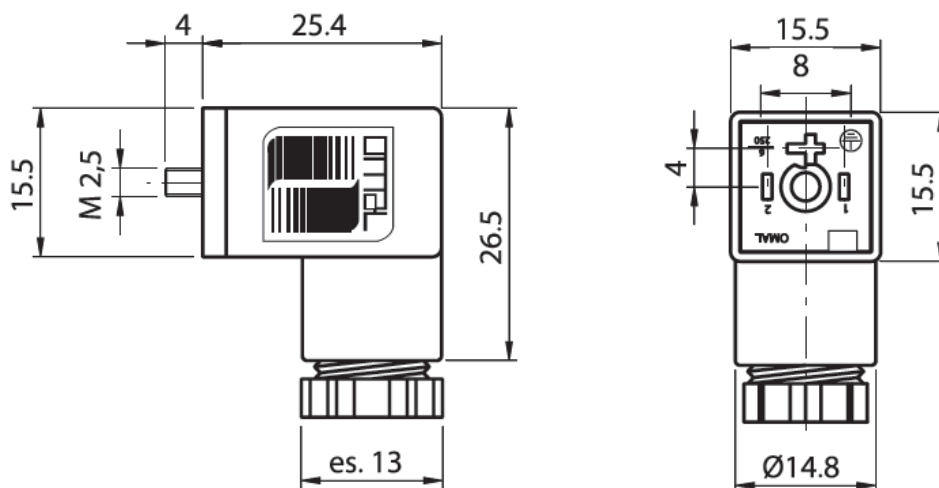


figure 1. S1.20

Gland size: PG7

Cable diameter: 4 - 6 mm

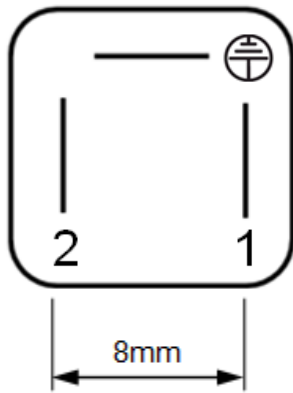
There is the possibility with (transparent housing) and without LED (black housing). It is important to know, that the maximum current depends on the wiring.

The connector Type B with 10 mm distance between the contactors accords to EN 175301-803

Type K43 allows only 10-50 V **DC**

### K41

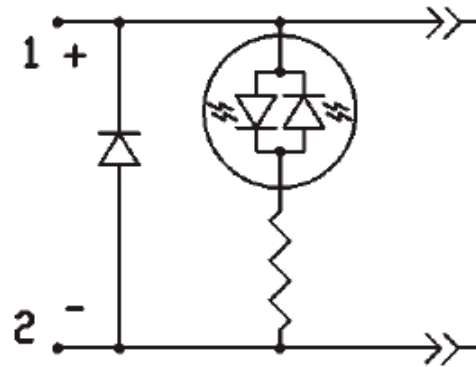
Nominal voltage: max. 250 V AC / 300V DC  
Housing: gray



Standard without power indicator

### K43

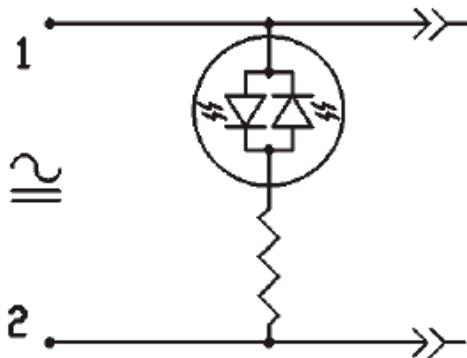
Nominal voltage: 10-50 V DC  
Housing: transparent



With power indicator  
+ Recovery diode  
**Mind polarity!**

### K44

Nominal voltage: 70-250 V AC/DC  
Housing: transparent



With power indicator