

Connector Type C

Electrical connector according to an **industrial standard**

Technical data

Housing	:	black: Pa66 + 30%GV transparent: Pa
Contact material:		CuZn (Ag)
Max. current:		10 A
Operating current:		6 A
Distance:		9,4 mm
Protection class:		IP 65 (EN 60529)
Insulation class:		C – VDE 0110
Operating temperature:		black: -40°C / +125°C transparent -25°C / +90°C

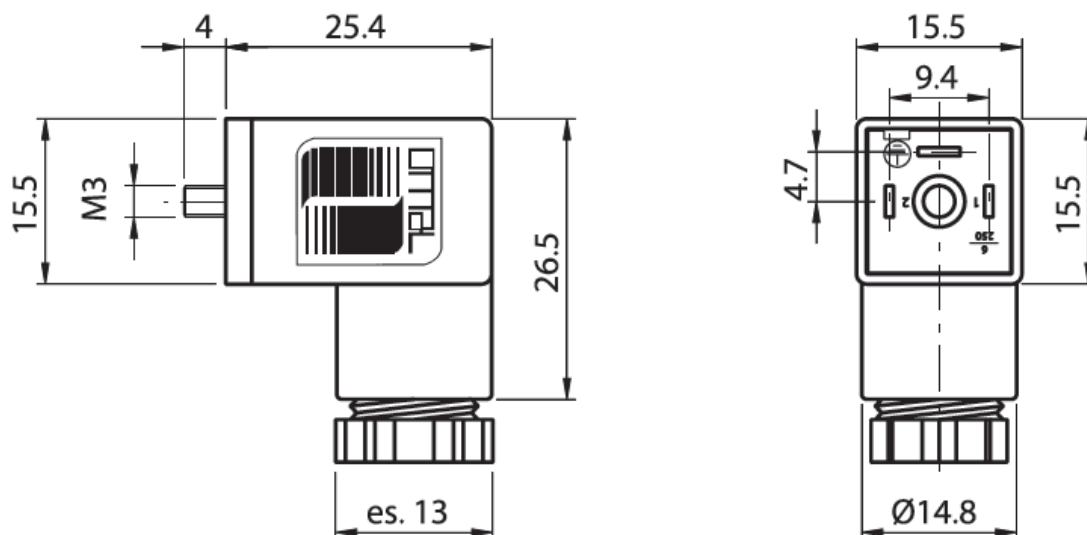


figure 1, S1.21 respectively S1.22

Gland size: PG7

Cable diameter: 4 - 6 mm

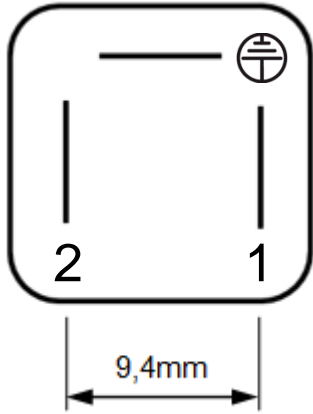
There is the possibility with (transparent housing) and without LED (black housing). It is important to know, that the maximum current depends on the wiring.

The connector Type C with 9,4mm distance between the contactors **does not accord to EN 175301-803**. It is an industrial standard.

Type K33 allows only 10-50 V **DC**

K31

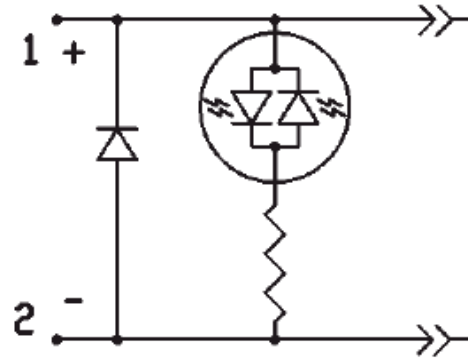
Nominal voltage: max. 250 V AC / 300V DC
Housing: black



Standard without power indicator

K33

Nominal voltage: 10-50 V DC
Housing: transparent



With power indicator
+ Recovery diode
Mind polarity