

DIN-Connector Type A

Electrical connector according to EN 175301-803

Technical data

Housing :	black: Pa66 + 30%GV transparent: Pa
Contact material:	CuZn (Ag)
Max. current:	16 A
Operating current:	10 A
Distance:	18 mm
Protection class:	IP 65 (EN 60529)
Insulation class:	C – VDE 0110
Operating temperature:	black: -40°C / +125°C transparent: -25°C / +90°C

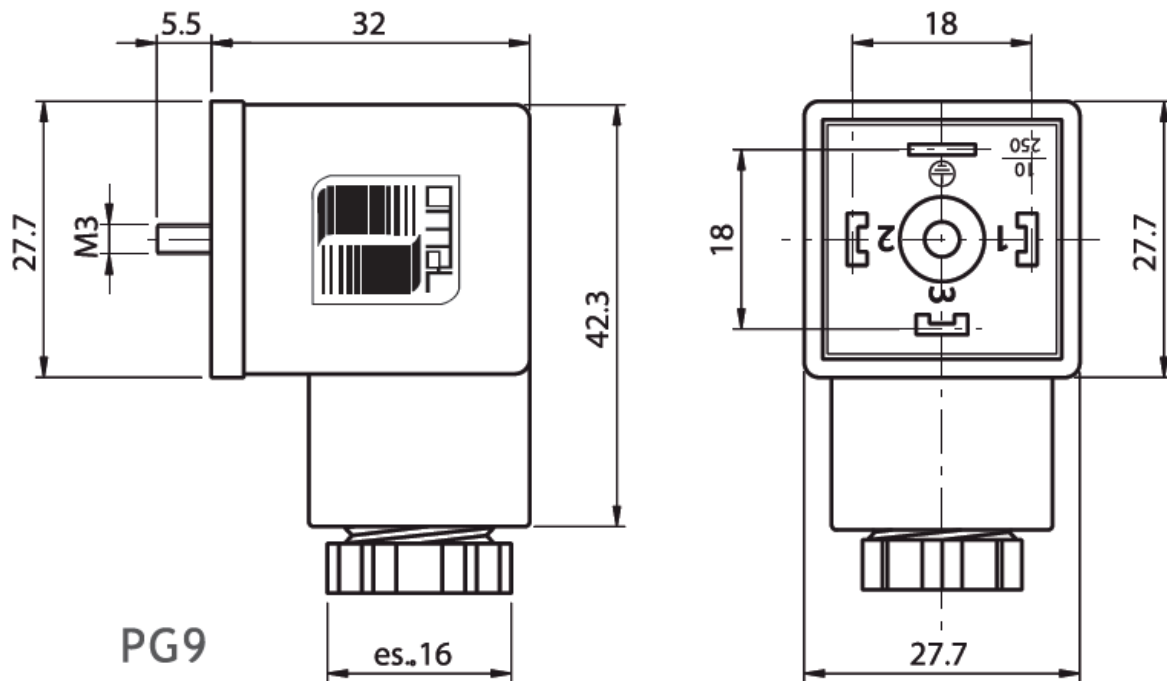


figure 1, S1.8

Gland size: PG9

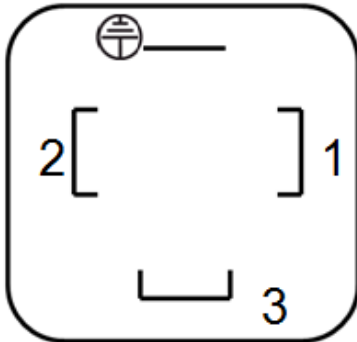
Cable diameter: 6 - 8 mm

There is the possibility with (transparent housing) and without LED (black housing). It is important to know, that the maximum current depends on the wiring.

A0

Nominal voltage: max. 250 V AC / 300V DC

Housing: black

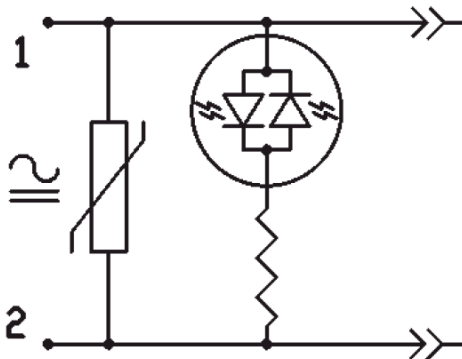


Standard without power indicator

A6

Nominal voltage: 10-50 V AC/DC

Housing: transparent

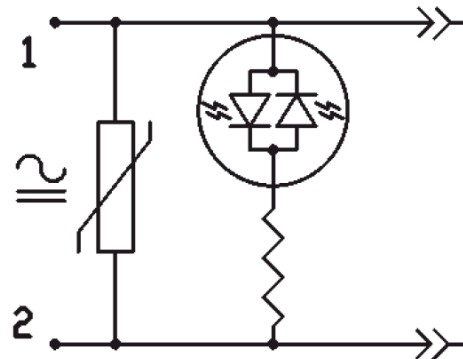


With power indicator
+ varistor protection

A7

Nominal voltage: 70-250 V AC/DC

Housing: transparent



With power indicator
+ varistor protection

